



US00D991405S

(12) **United States Design Patent**
Xu

(10) **Patent No.:** **US D991,405 S**

(45) **Date of Patent:** **** Jul. 4, 2023**

(54) **FAUCET ASSEMBLY**

(71) Applicant: **Chao Xu**, Suzhou (CN)

(72) Inventor: **Chao Xu**, Suzhou (CN)

(**) Term: **15 Years**

(21) Appl. No.: **29/859,256**

(22) Filed: **Nov. 9, 2022**

(51) **LOC (14) Cl.** **23-01**

(52) **U.S. Cl.**

USPC **D23/238**; D23/242

(58) **Field of Classification Search**

USPC D23/213, 238–244, 249–250, 252, 254,
D23/255, 257; D8/307–308, 352

CPC . E03C 1/02; E03C 1/04; E03C 1/0404; E03C
1/0412; F16K 31/602; F16K 31/605;
F16K 31/607; Y10T 137/6014; Y10T
137/6024; Y10T 137/9464; Y10T
137/6017

See application file for complete search history.

(56) **References Cited**

U.S. PATENT DOCUMENTS

D285,597 S *	9/1986	Miller	D23/242
D421,488 S *	3/2000	Lord	D23/255
D425,969 S *	5/2000	Lord	D23/255
D428,970 S *	8/2000	Lord	D23/255
D443,920 S *	6/2001	Lord	D23/250
D458,347 S *	6/2002	Mullenmeister	D23/250
D461,879 S *	8/2002	Mullenmeister	D23/257
D463,533 S *	9/2002	Ko	D23/242
D498,290 S *	11/2004	Egee	D23/250
D525,682 S *	7/2006	Gilbert	D23/255
D532,085 S *	11/2006	Svendsen	D23/242
D543,609 S *	5/2007	Dolan	D23/257
D545,399 S *	6/2007	Kemp	D23/249
D563,524 S *	3/2008	Wolf	D23/238
D581,027 S *	11/2008	Dolan	D23/255

D581,488 S *	11/2008	Dolan	D23/250
D582,522 S *	12/2008	Hanna	D23/250
D596,717 S *	7/2009	Jones	D23/255

(Continued)

Primary Examiner — Amy C Wierenga

Assistant Examiner — Kathryn Elizabeth Zieno

(74) *Attorney, Agent, or Firm* — Daniel M. Cohn;
Howard M. Cohn

(57) **CLAIM**

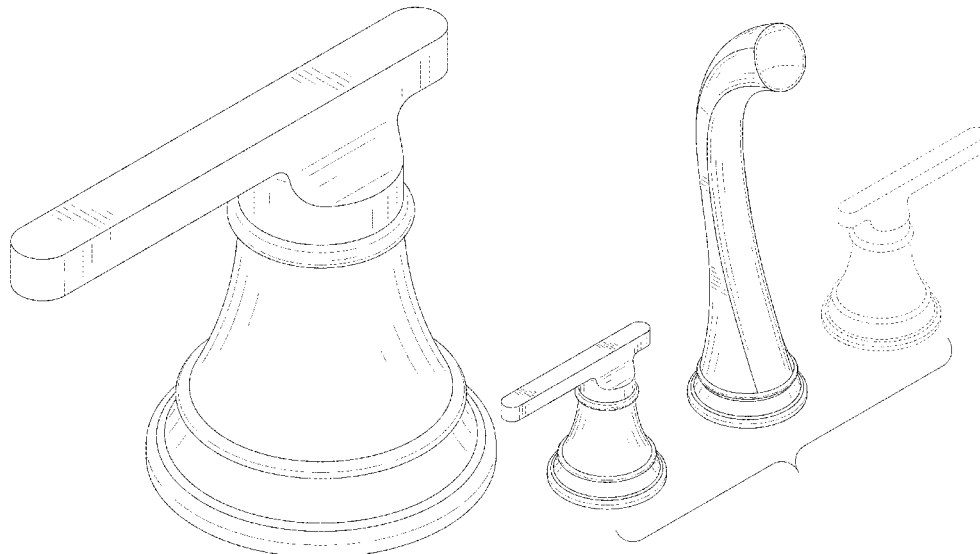
The ornamental design for a faucet assembly, as shown and described.

DESCRIPTION

FIG. 1 is a perspective view of a first component of a faucet assembly, shown separately for ease of illustration; FIG. 2 is another perspective view thereof; FIG. 3 is a front elevational view thereof; FIG. 4 is a rear elevational view thereof; FIG. 5 is a left side elevational view thereof; FIG. 6 is a right side elevational view thereof; FIG. 7 is a top plan view thereof; FIG. 8 is a bottom plan view thereof; FIG. 9 is a perspective view of a second component of a faucet assembly, shown separately for ease of illustration; FIG. 10 is another perspective view thereof; FIG. 11 is a front elevational view thereof; FIG. 12 is a rear elevational view thereof; FIG. 13 is a left side elevational view thereof; FIG. 14 is a right side elevational view thereof; FIG. 15 is a top plan view thereof; FIG. 16 is a bottom plan view thereof; and, FIG. 17 is a perspective view of the first component and the second component of the faucet assembly shown in a position of use.

The broken lines in the drawings depict portions of the faucet assembly that form no part of the claimed design. The broken lines shown in FIG. 17 show portions of the faucet assembly and environmental subject matter that form no part of the claimed design.

1 Claim, 17 Drawing Sheets



(56)

References Cited

U.S. PATENT DOCUMENTS

D601,668	S	*	10/2009	Williams	D23/255
D604,808	S	*	11/2009	Williams	D23/255
D667,089	S	*	9/2012	Kwok	D23/242
D755,932	S	*	5/2016	Fritz	D23/242
D815,249	S	*	4/2018	Kuang	D23/238
D822,177	S	*	7/2018	Slothower	D23/250
D873,965	S		1/2020	Lazarini		
D879,252	S	*	3/2020	Yu	D23/242
D881,353	S	*	4/2020	Lazarini	D23/255
D883,443	S	*	5/2020	Kuang	D23/242
D930,118	S		9/2021	Elser		
D956,935	S	*	7/2022	Elser	D23/255
D958,941	S	*	7/2022	Yu	D23/242
D963,117	S	*	9/2022	Xie	D23/242
D965,112	S	*	9/2022	Situ	D23/242
D967,348	S	*	10/2022	Liao	D23/255

* cited by examiner

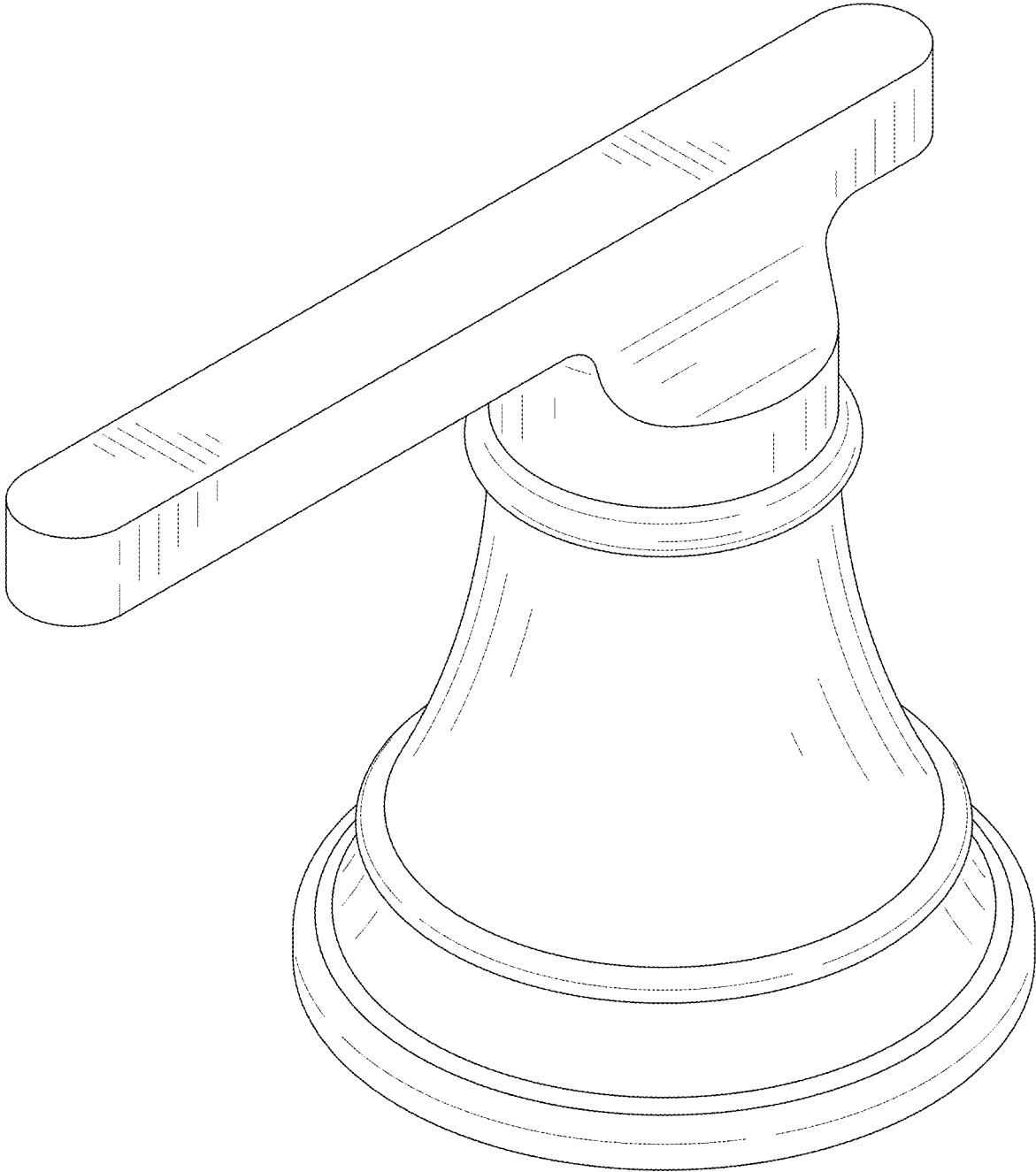


FIG. 1

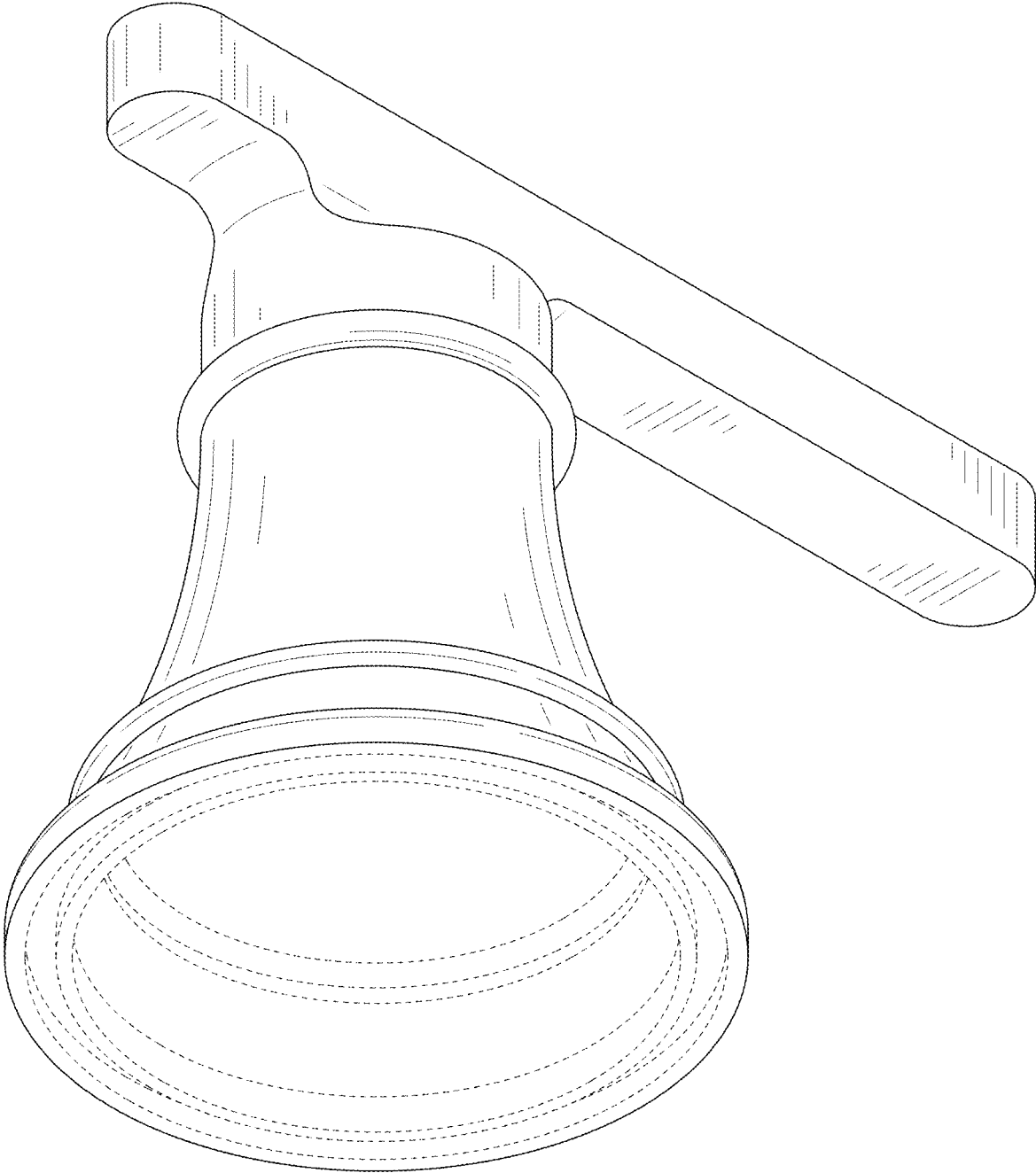


FIG. 2

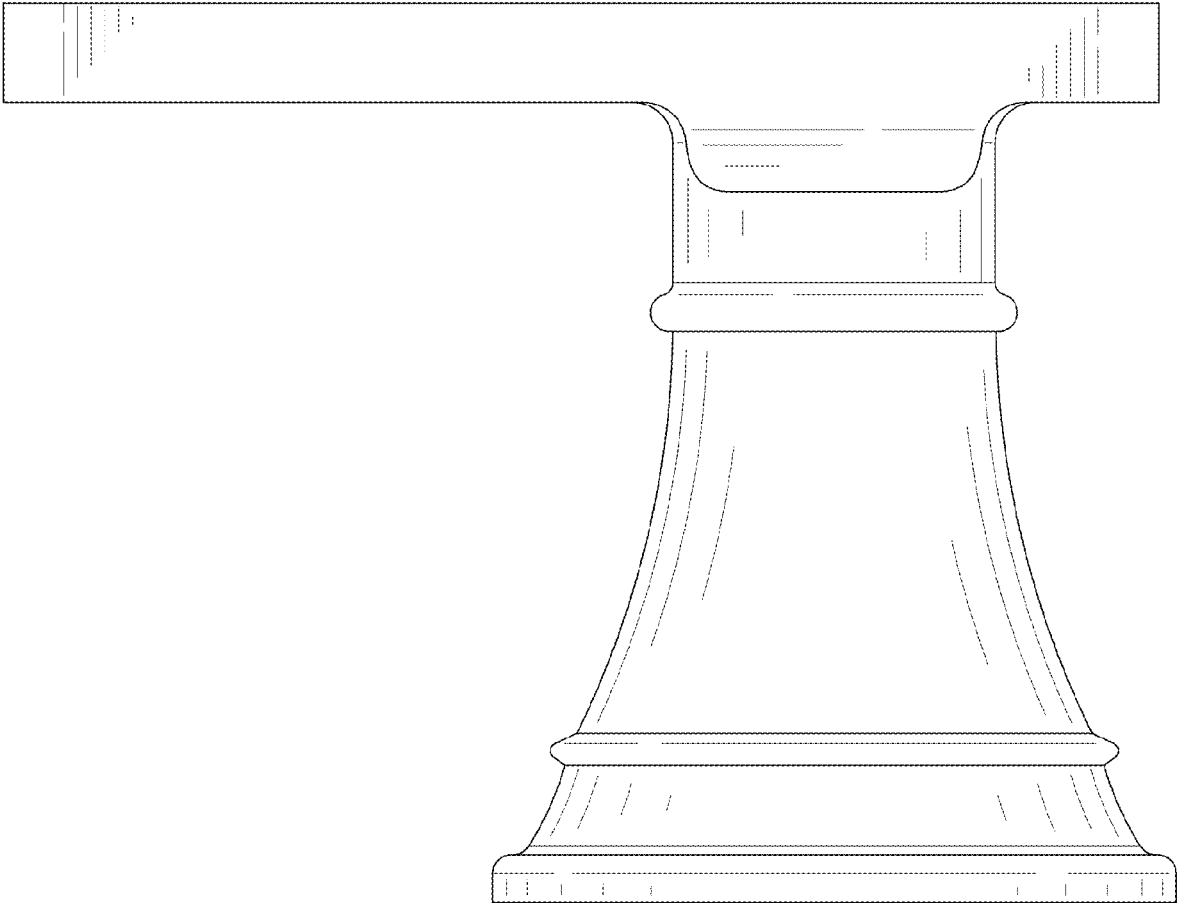


FIG. 3

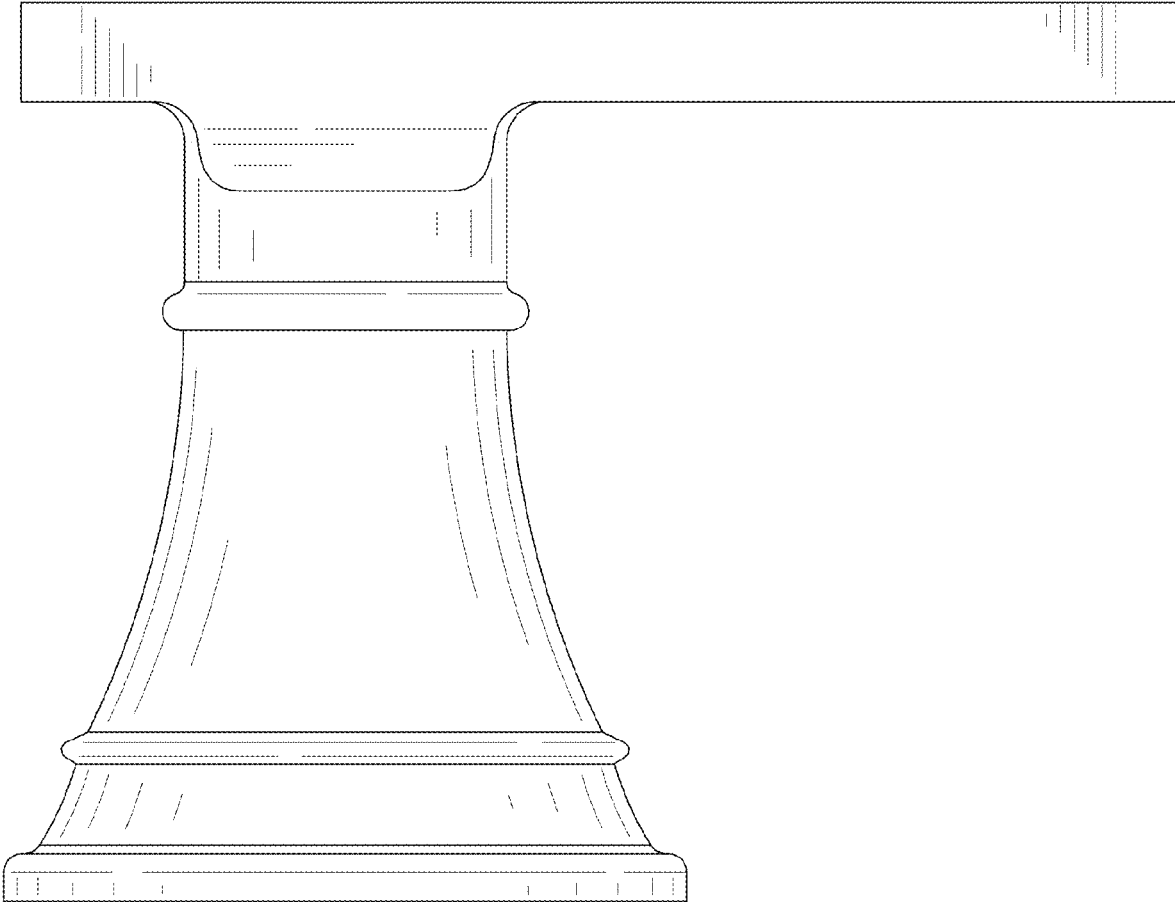


FIG. 4

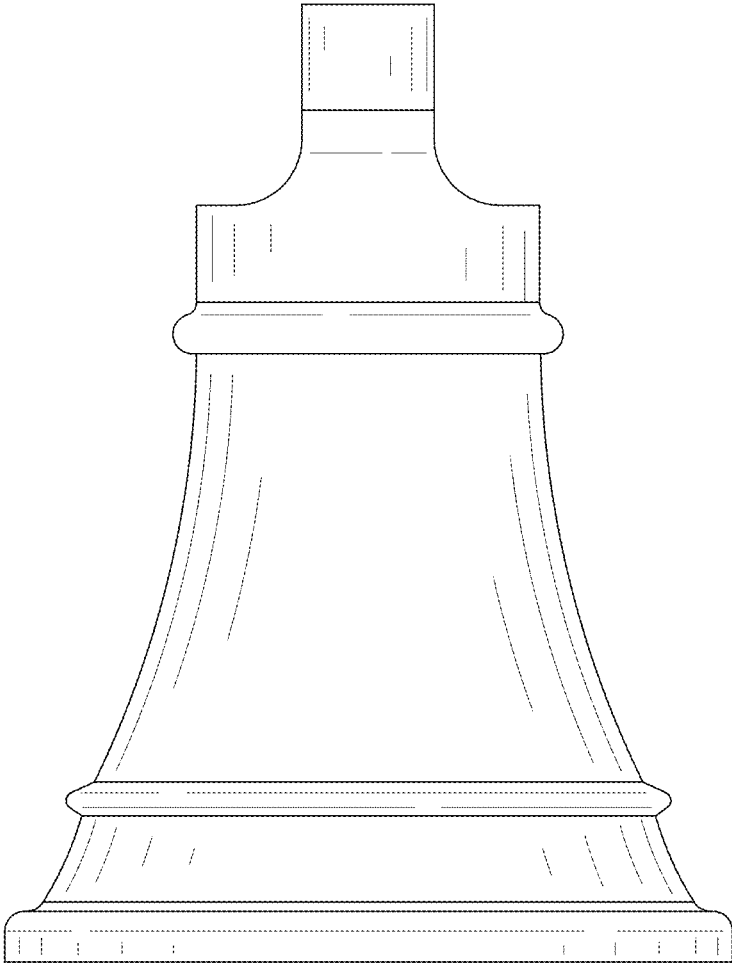


FIG. 5

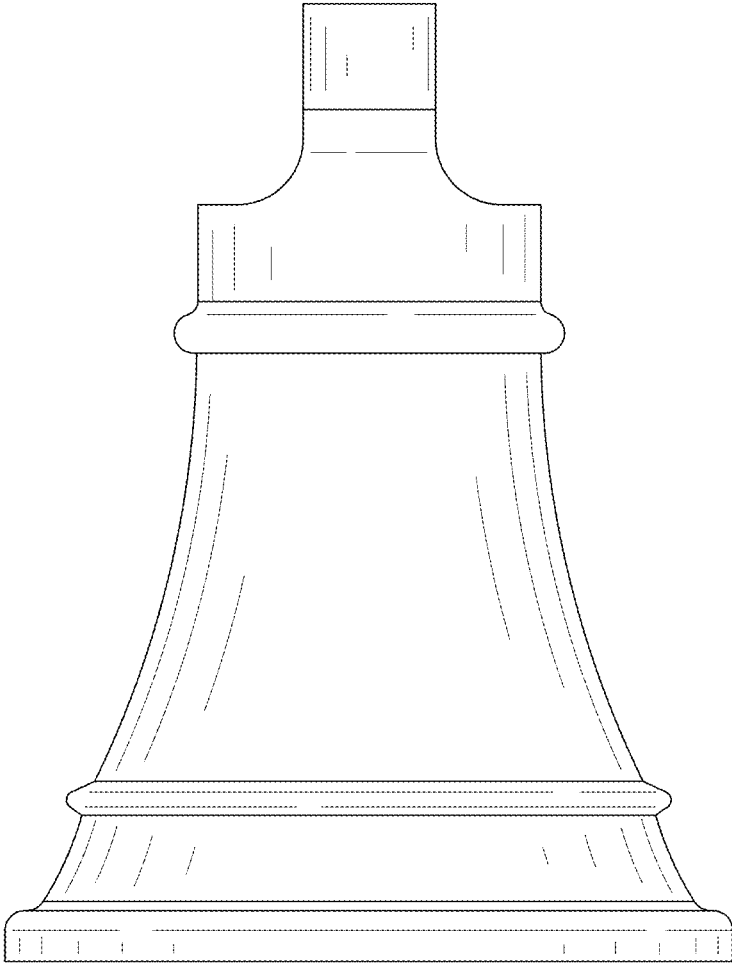


FIG. 6

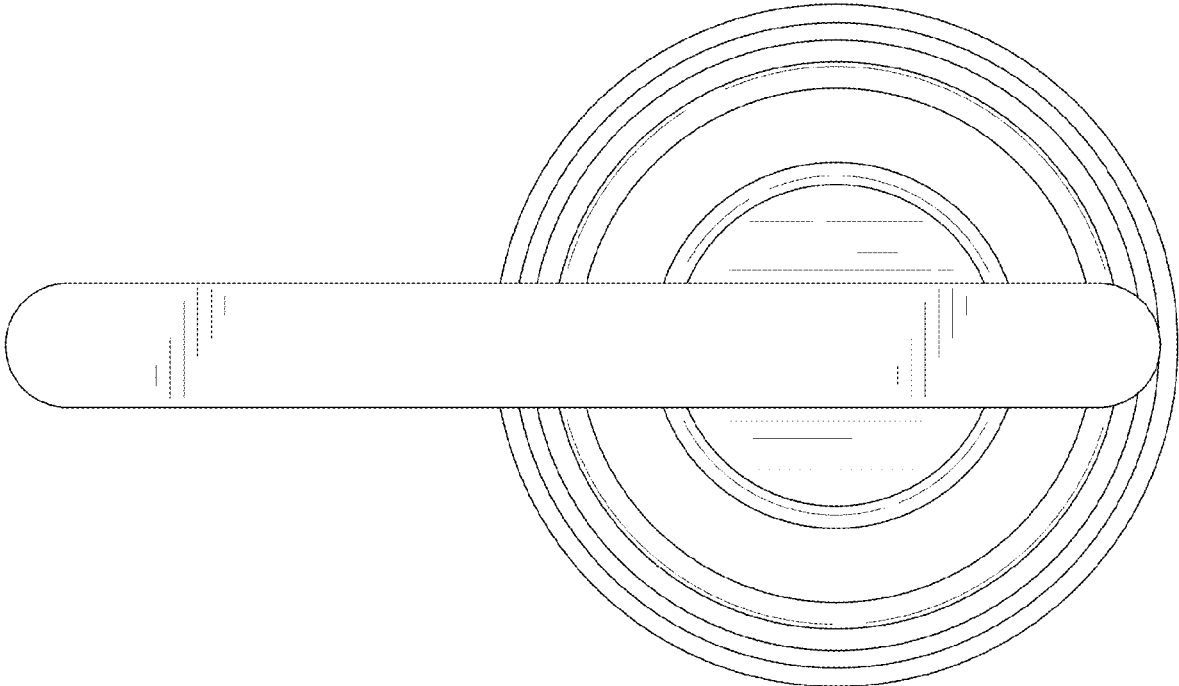


FIG. 7

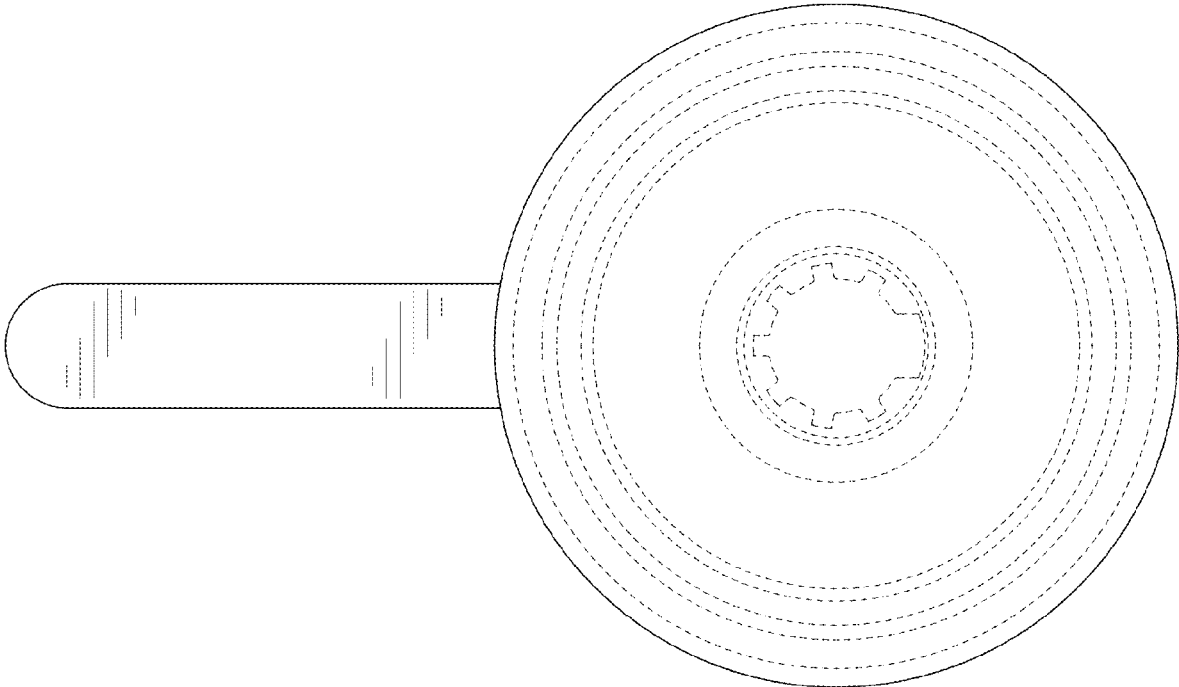


FIG. 8

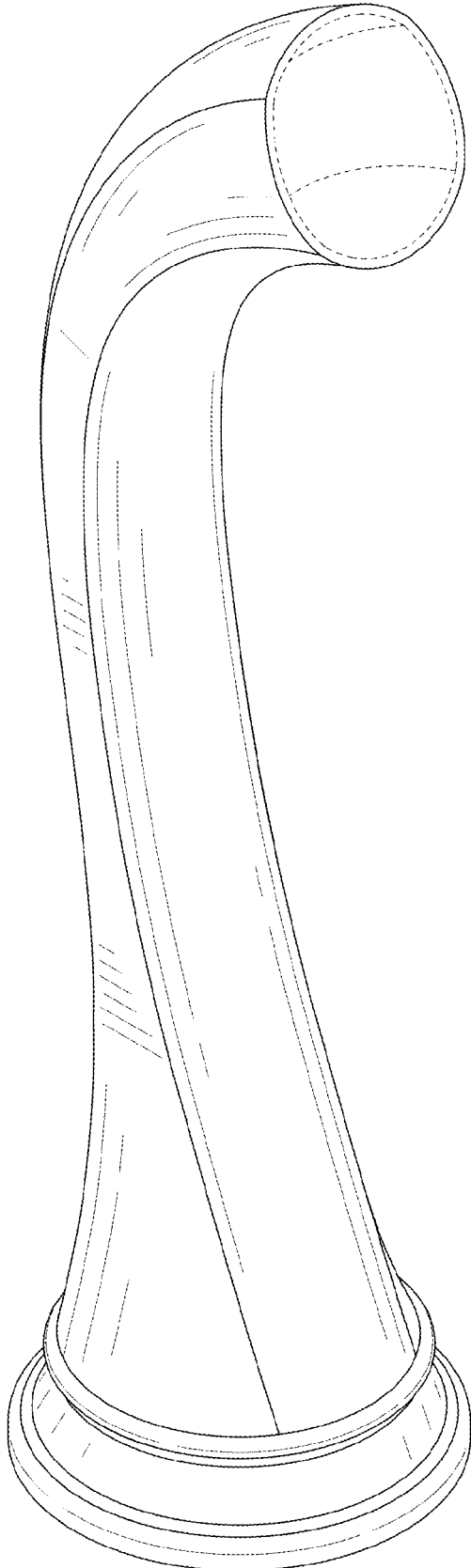


FIG. 9

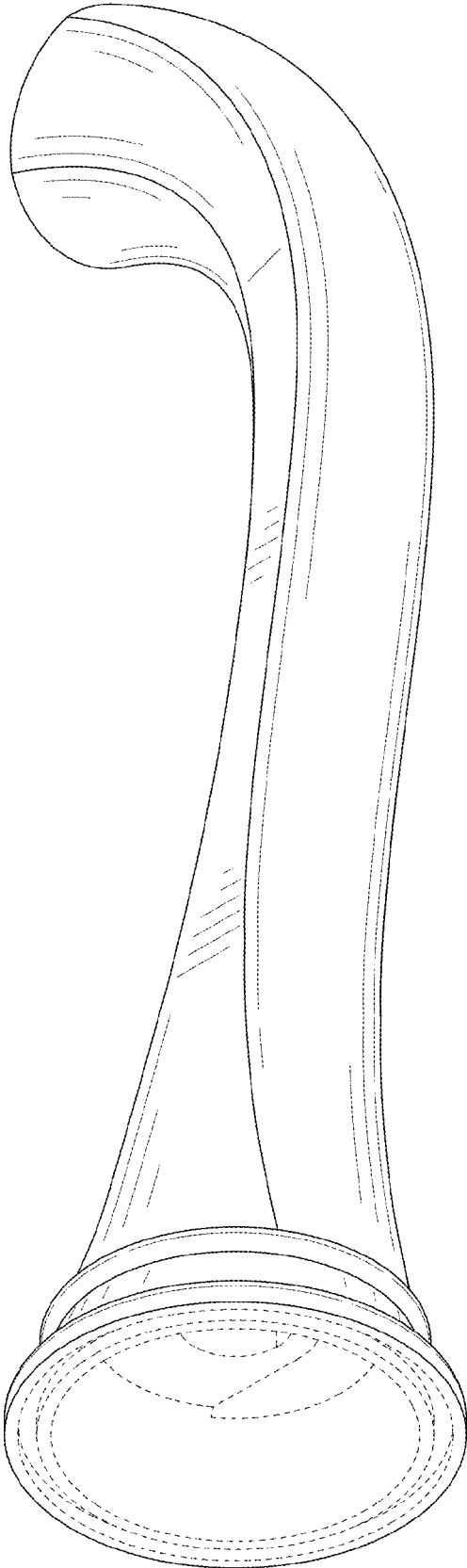


FIG. 10

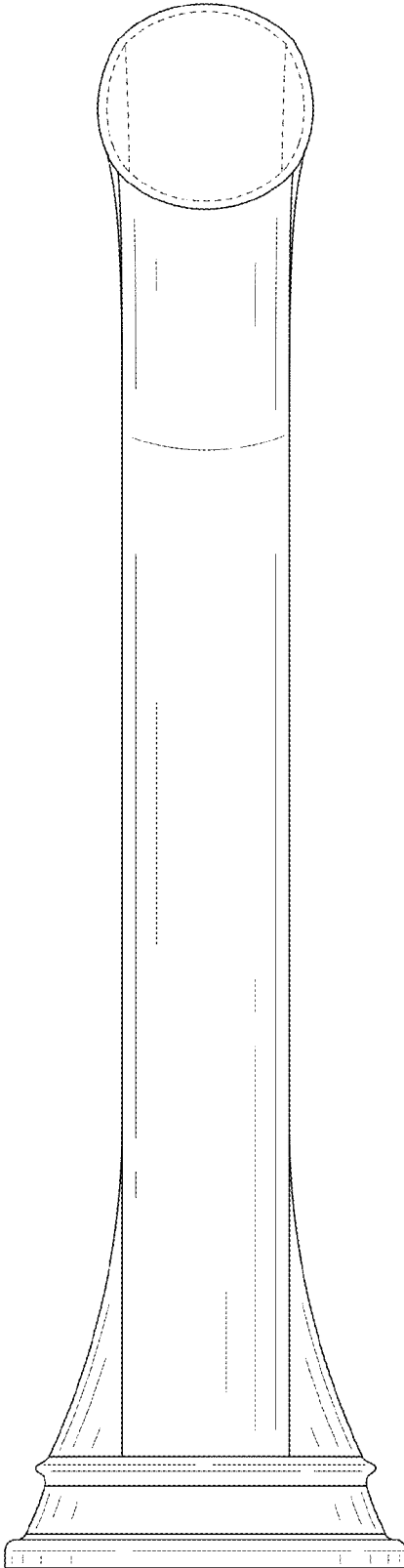


FIG. 11

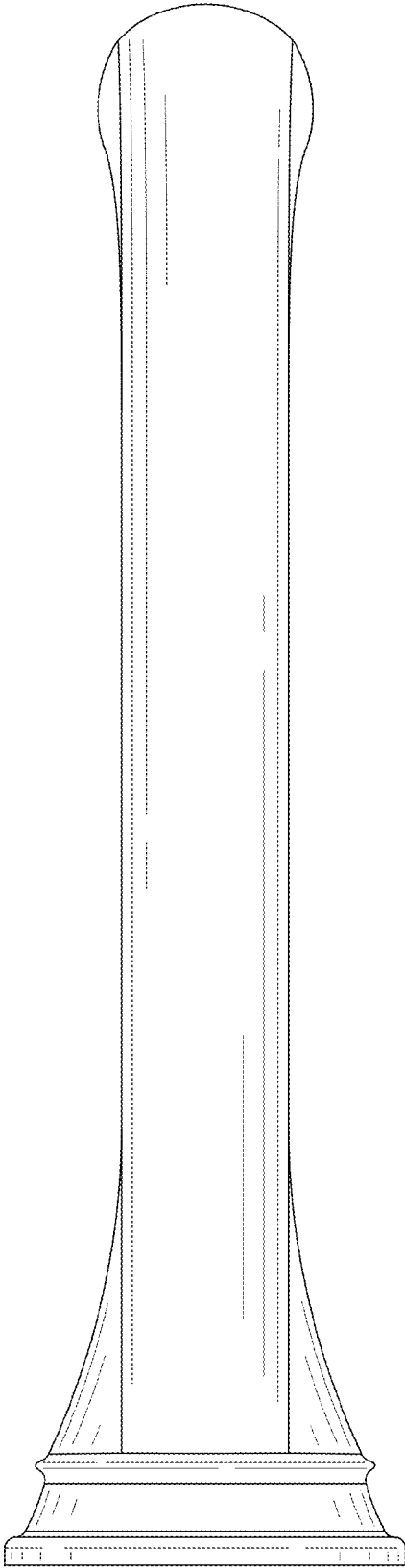


FIG. 12

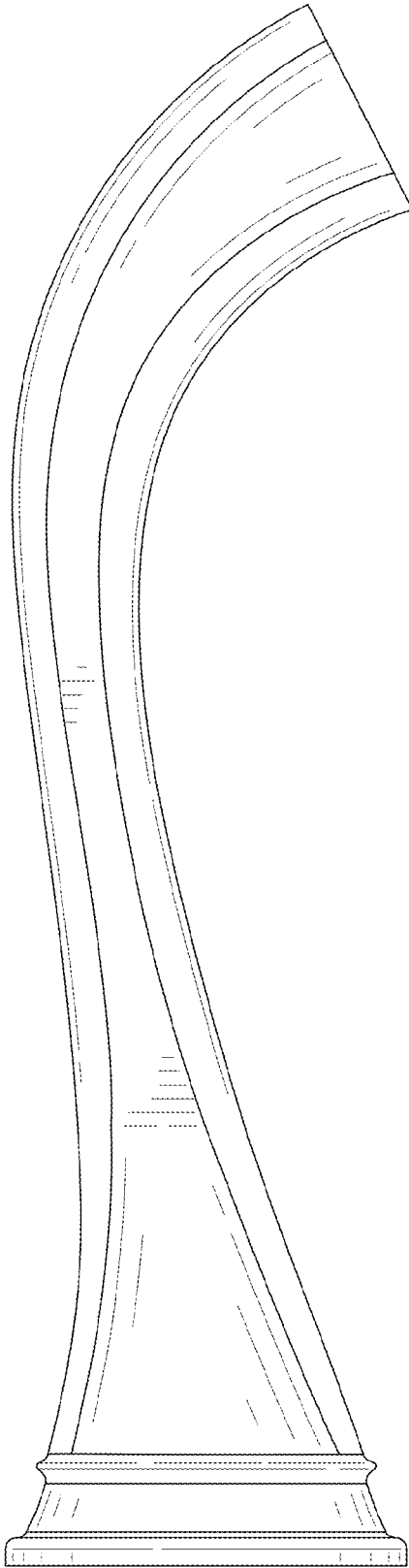


FIG. 13

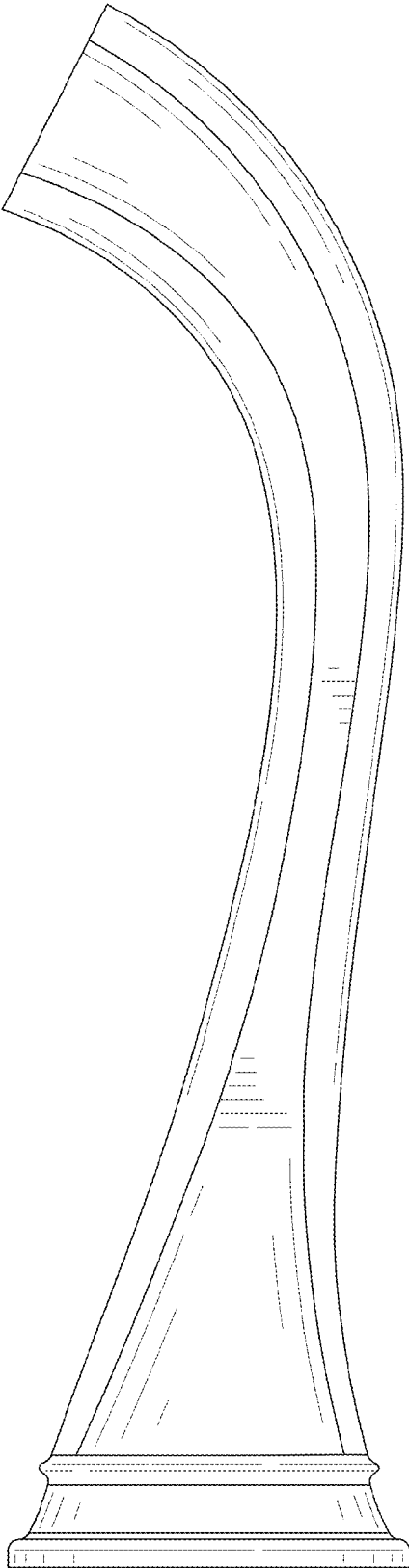


FIG. 14

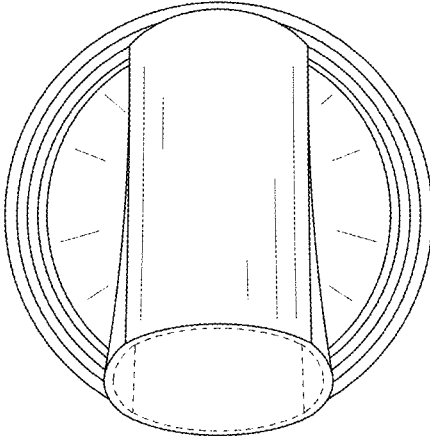


FIG. 15

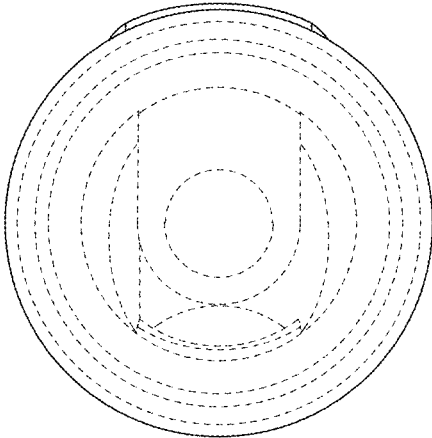


FIG. 16

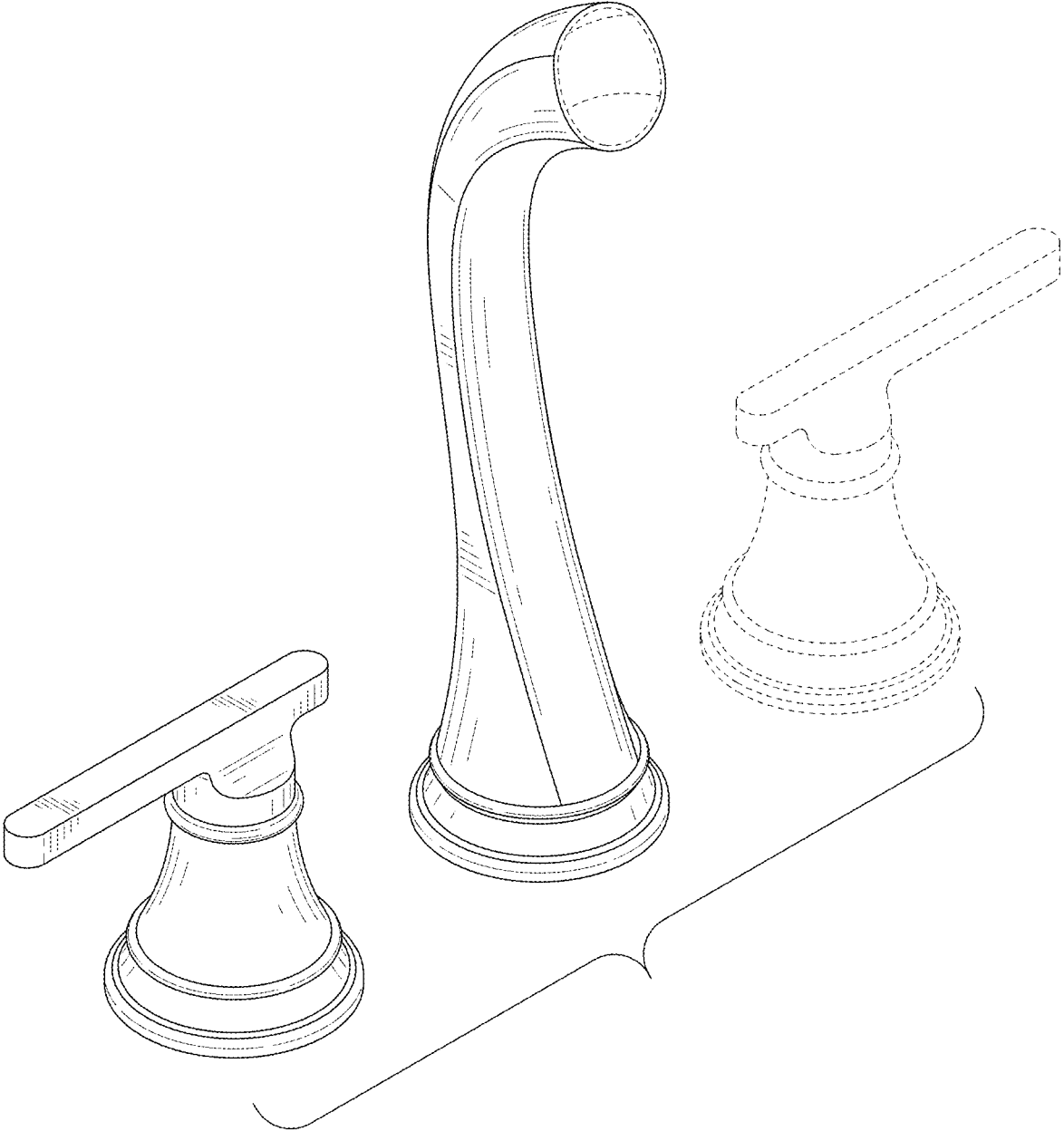


FIG. 17