



US00D791985S

(12) **United States Design Patent**  
**Lin**

(10) **Patent No.:** **US D791,985 S**

(45) **Date of Patent:** **\*\* Jul. 11, 2017**

(54) **VEHICLE HEADLIGHT**

(71) Applicant: **KUEN HWA TRAFFIC INDUSTRIAL CO., LTD.**, Tainan (TW)

(72) Inventor: **Yung-Hsiang Lin**, Tainan (TW)

(73) Assignee: **Kuen Hwa Traffic Industrial Co., Ltd.**, Tainan (TW)

(\*\*) Term: **15 Years**

(21) Appl. No.: **29/560,797**

(22) Filed: **Apr. 11, 2016**

(51) **LOC (10) Cl.** ..... **26-06**

(52) **U.S. Cl.**

USPC ..... **D26/28**

(58) **Field of Classification Search**

USPC ..... D26/28-36; 362/80-83, 267-269,

362/459-468, 475-478, 485-487

CPC ..... F21S 48/00; F21S 48/10; F21S 48/115;

F21S 48/1233; F21S 48/1266; F21S

48/1388; F21S 48/2268; F21V 21/04

See application file for complete search history.

(56) **References Cited**

U.S. PATENT DOCUMENTS

D528,685 S \* 9/2006 Yoshida ..... D26/28

D544,114 S \* 6/2007 Ohta ..... D26/28  
D560,291 S \* 1/2008 Koyama ..... D26/28  
D597,232 S \* 7/2009 Hanaoka ..... D26/28  
D726,353 S \* 4/2015 Yagihashi ..... D26/28  
D728,133 S \* 4/2015 Bieling ..... D26/28

\* cited by examiner

*Primary Examiner* — Marcus Jackson

(74) *Attorney, Agent, or Firm* — Rosenberg, Klein & Lee

(57) **CLAIM**

The ornamental design for a vehicle headlight, as shown and described.

**DESCRIPTION**

FIG. 1 is a perspective view of a vehicle headlight showing my present design;

FIG. 2 is a front view thereof;

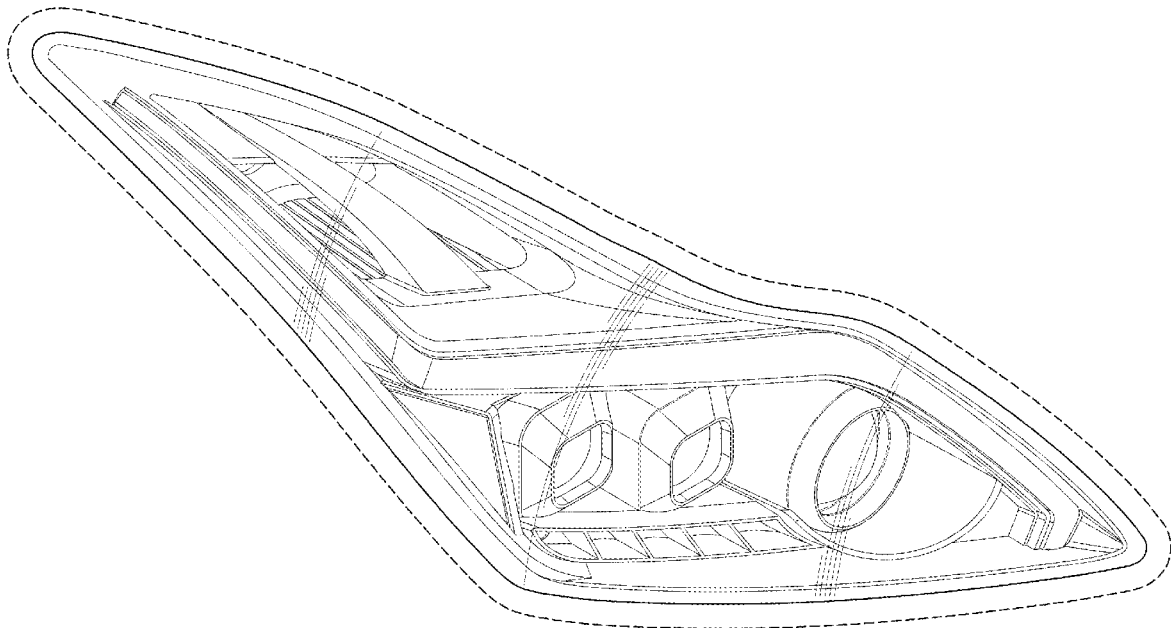
FIG. 3 is a left view thereof;

FIG. 4 is a top plan view thereof, and,

FIG. 5 is another perspective view thereof.

The broken lines in the drawings illustrate portions of the vehicle headlight which form no part of the claimed design.

**1 Claim, 5 Drawing Sheets**



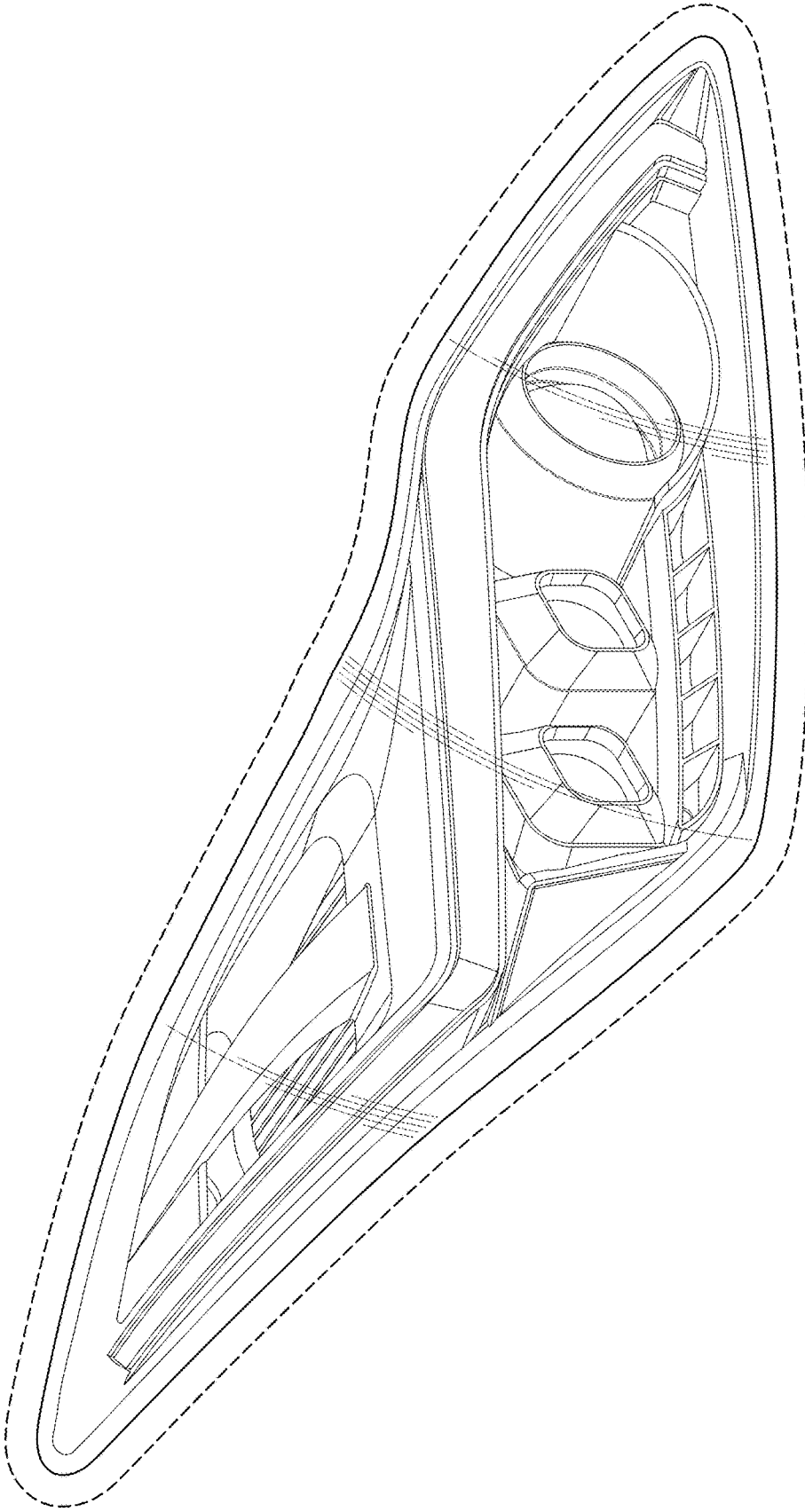


FIG. 1

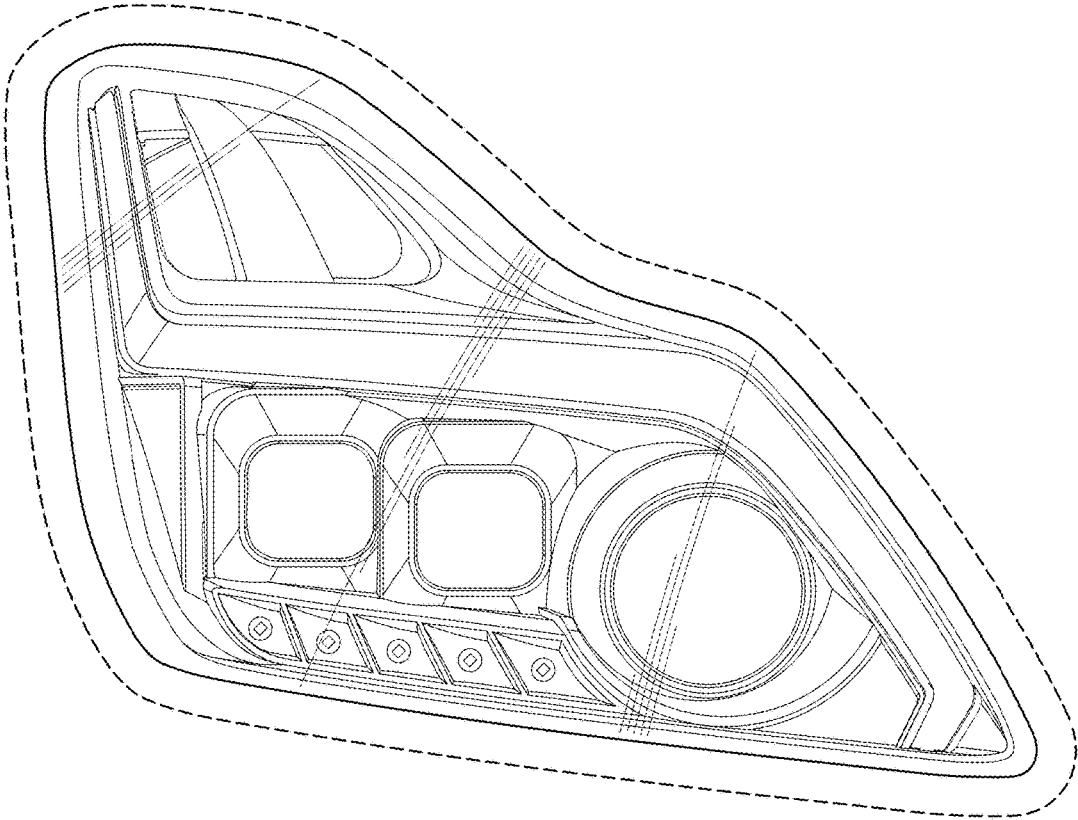


FIG . 2

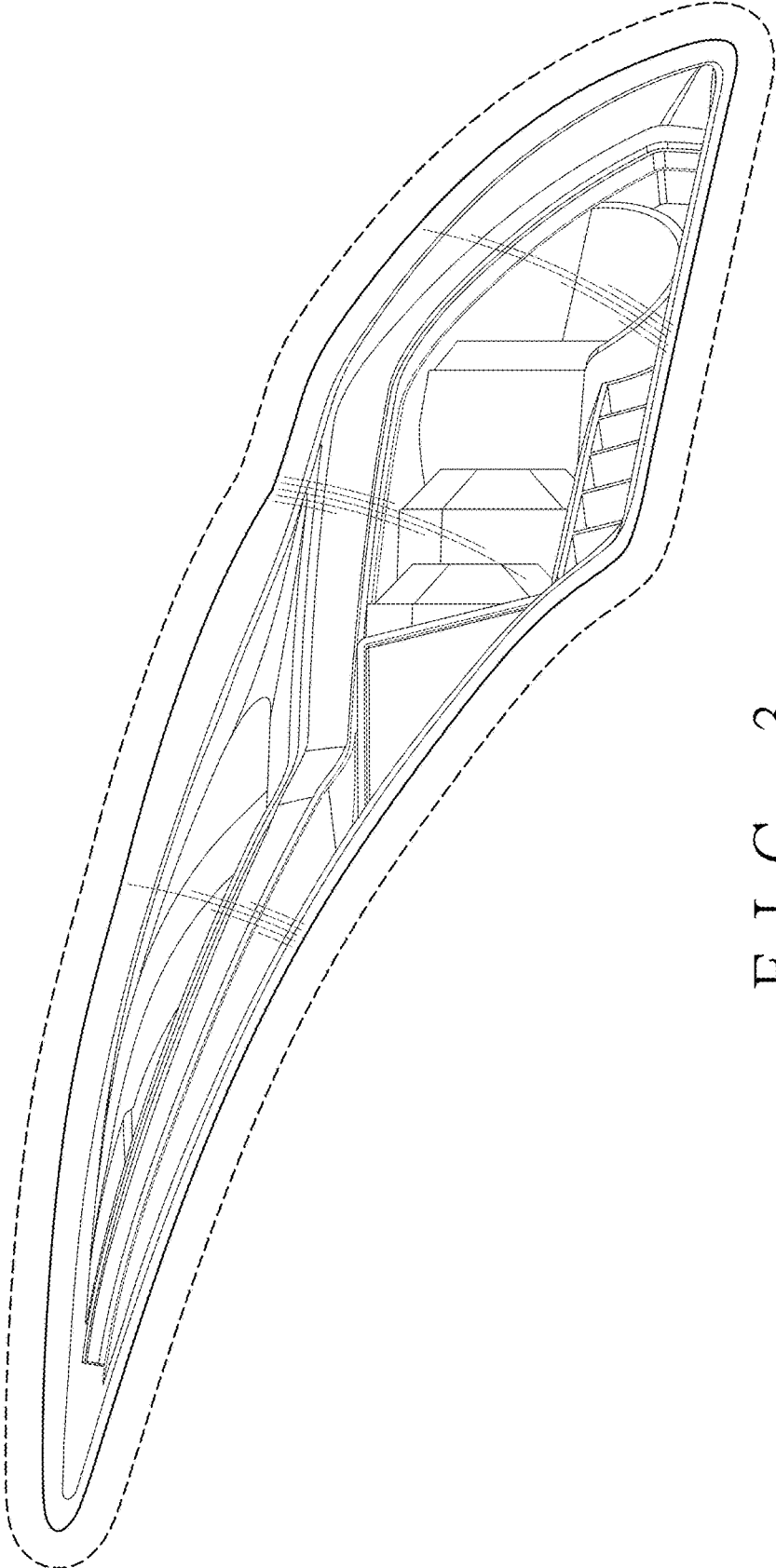


FIG. 3

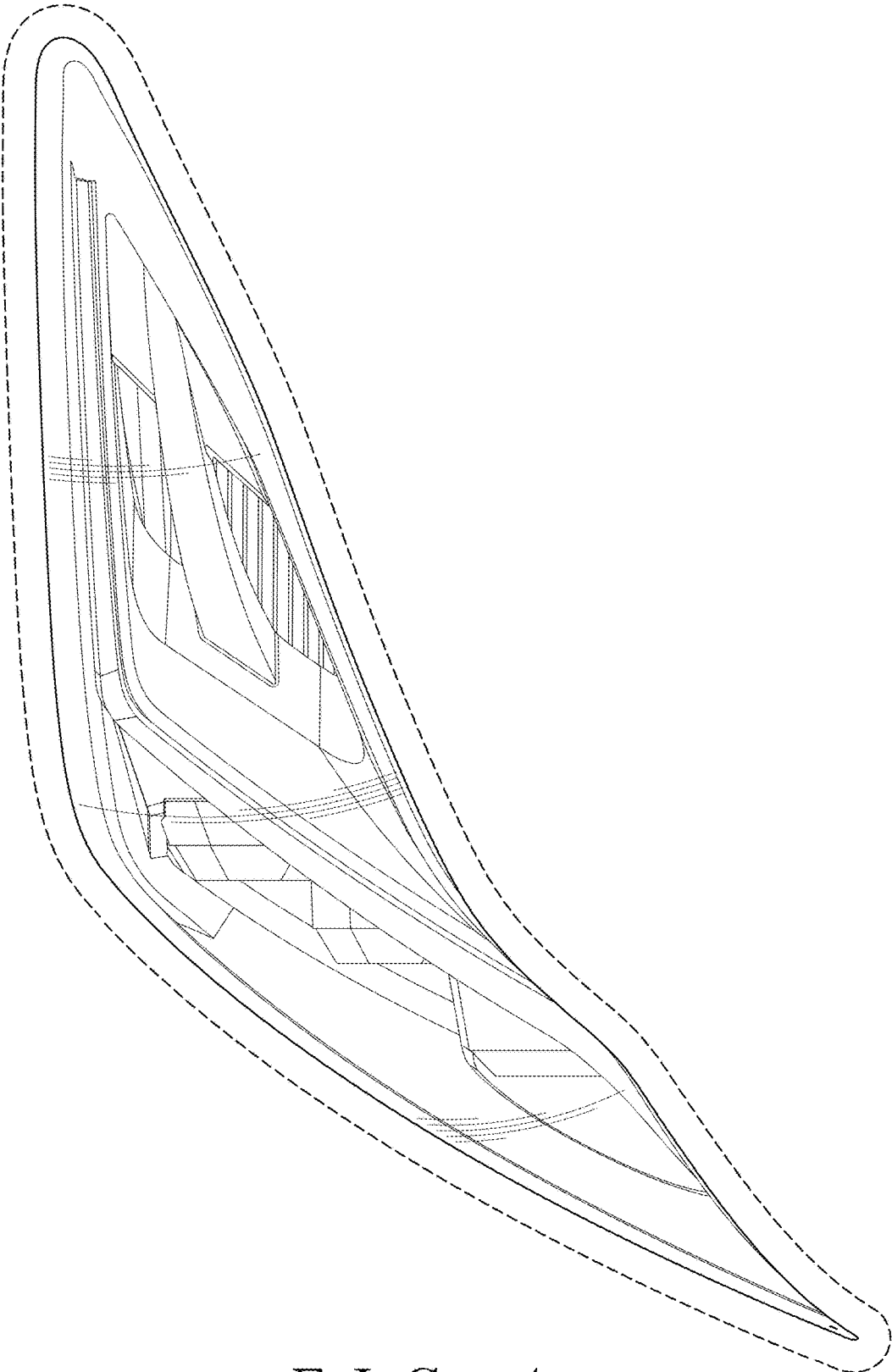


FIG. 4

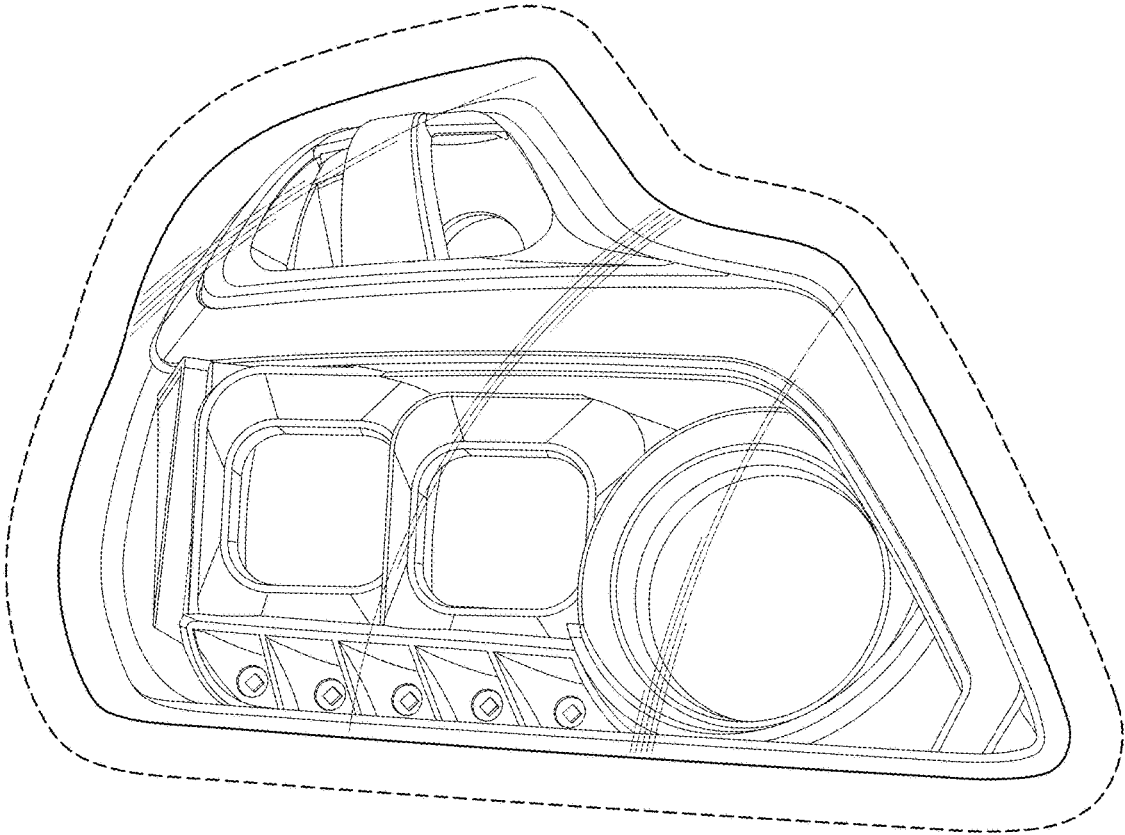


FIG. 5