



US00D878085S

(12) **United States Design Patent**  
**Werner**

(10) **Patent No.:** **US D878,085 S**

(45) **Date of Patent:** **\*\* Mar. 17, 2020**

- (54) **TRIMMER STAND**
- (71) Applicant: **ANDIS COMPANY**, Sturtevant, WI (US)
- (72) Inventor: **Edwin A. Werner**, Union Grove, WI (US)
- (73) Assignee: **Andis Company**, Sturtevant, WI (US)
- (\*\*) Term: **15 Years**
- (21) Appl. No.: **29/644,516**
- (22) Filed: **Apr. 18, 2018**
- (51) **LOC (12) Cl.** ..... **28-03**
- (52) **U.S. Cl.**  
USPC ..... **D6/526; D13/108**
- (58) **Field of Classification Search**  
USPC ..... D6/526, 527, 512, 524, 528, 534, 540;  
206/244, 361, 362.1, 362.2, 362.3, 208,  
206/209, 228, 252, 345-360, 493, 775;  
211/13.1, 66, 70.6, 86.01, 87.01, 89.01;  
248/127, 176.1, 200, 205.5, 309.1, 314;  
D3/205; D9/373, 748, 749, 448;  
30/42-46, 514; D16/202, 219, 242;  
D13/108; D10/70; D24/186  
CPC . B26B 19/3806; B26B 19/3853; B26B 21/52;  
B26B 21/10; B26B 21/4006; B26B  
21/522; B26B 21/40; B26B 21/36; B26B  
19/14; B26B 19/38; B26B 19/382; B26B  
19/3813; B65D 73/0064; B65D 73/0014;  
B65D 77/26; B65D 85/1081; B65D  
5/5016; B65D 71/70; B65D 25/106;  
B65D 25/22  
See application file for complete search history.

- D562,762 S \* 2/2008 SaddleMire ..... D13/108
- D580,855 S \* 11/2008 Haspil ..... D13/108
- D620,882 S \* 8/2010 Houghton ..... D13/108
- D621,347 S \* 8/2010 Aulwes ..... D13/108
- D673,498 S \* 1/2013 Colle ..... D13/108
- D687,245 S \* 8/2013 Salagnac ..... D6/526

(Continued)

**OTHER PUBLICATIONS**

Youtube.com, Andis Cordless T-Outliner Li—Freedom to Roam. Power to Last (Part 1), Jan. 30, 2018, <https://www.youtube.com/watch?v=TQri-imCcKw> (Year: 2018).\*

*Primary Examiner* — Nathan M Johnston  
(74) *Attorney, Agent, or Firm* — Reinhart Boerner Van Deuren s.c.

(57) **CLAIM**

I claim the ornamental design for a trimmer stand, as shown and described.

**DESCRIPTION**

FIG. 1 is a perspective view of a trimmer stand showing my new design;  
FIG. 2 is an elevation view of a first side of the trimmer stand of FIG. 1;  
FIG. 3 is an elevation view of a second side of the trimmer stand of FIG. 1;  
FIG. 4 is an elevation view of a first end of the trimmer stand of FIG. 1;  
FIG. 5 is an elevation view of a second end of the trimmer stand of FIG. 1;  
FIG. 6 is a top view of the trimmer stand shown in FIG. 1; and,  
FIG. 7 is a bottom view of the trimmer stand shown in FIG. 1.

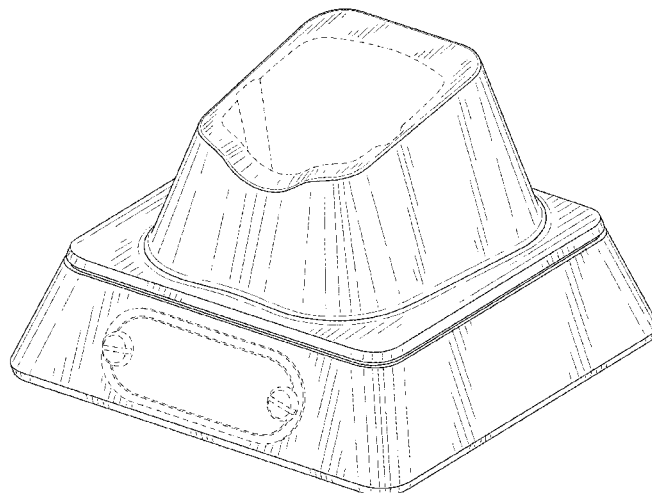
The present application is directed to the design illustrated in the figures. The broken lines shown in the drawings illustrate portions of the trimmer stand and form no part of the claimed design.

**1 Claim, 5 Drawing Sheets**

(56) **References Cited**

**U.S. PATENT DOCUMENTS**

- D369,344 S \* 4/1996 Lindeman ..... D13/108
- D488,440 S \* 4/2004 Senda ..... D13/108
- D495,182 S \* 8/2004 Vitantonio ..... D6/551
- D535,615 S \* 1/2007 Iwai ..... D13/108



(56)

**References Cited**

U.S. PATENT DOCUMENTS

D698,185 S *	1/2014	Cosper .....	D6/526
D706,549 S *	6/2014	Cho .....	D6/524
D839,628 S *	2/2019	Gilor .....	D6/526

\* cited by examiner

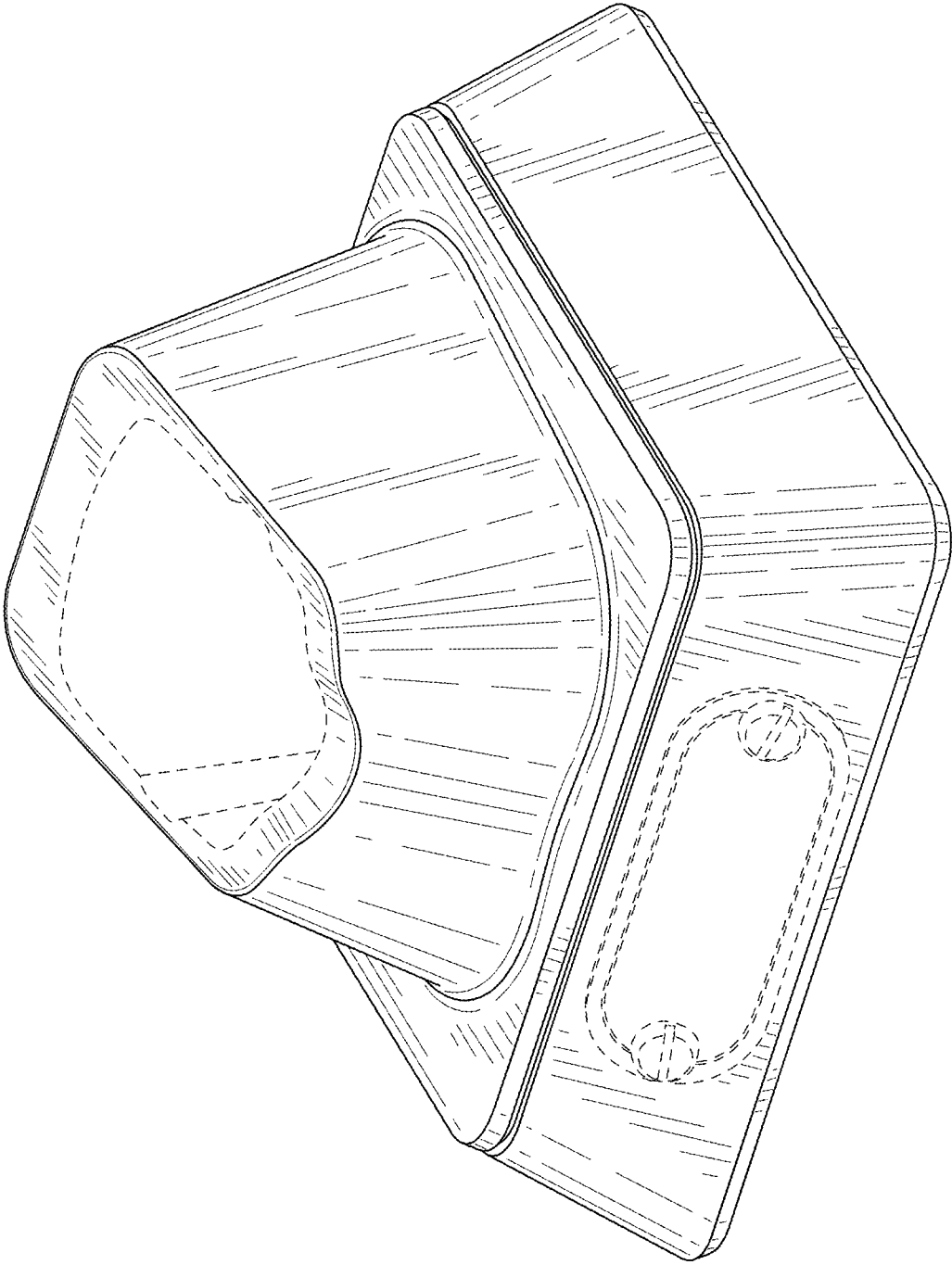


FIG. 1

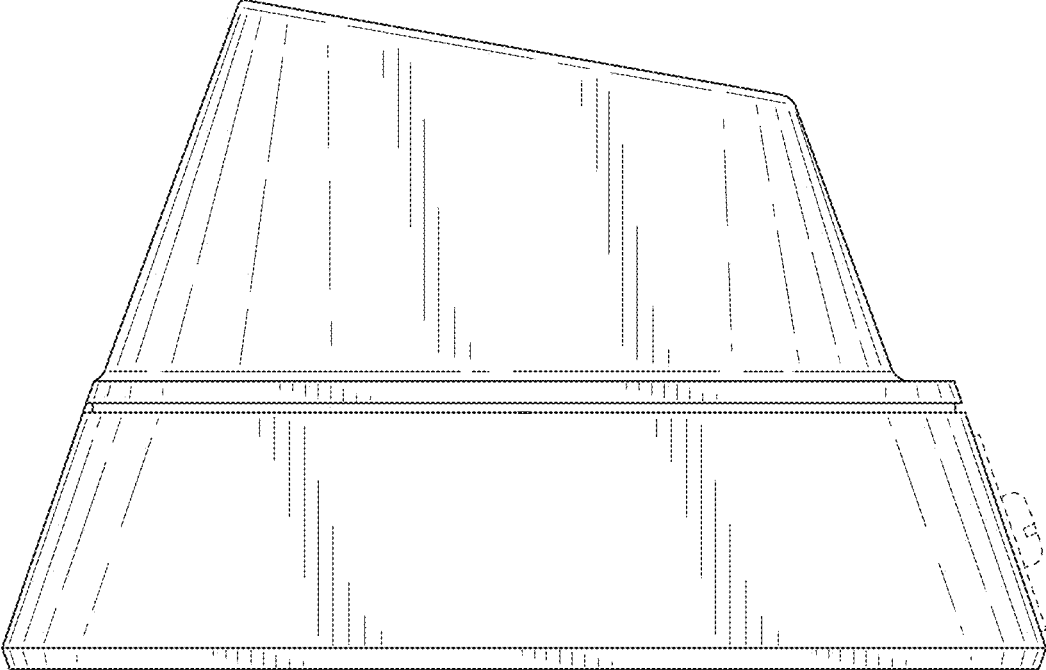


FIG. 2

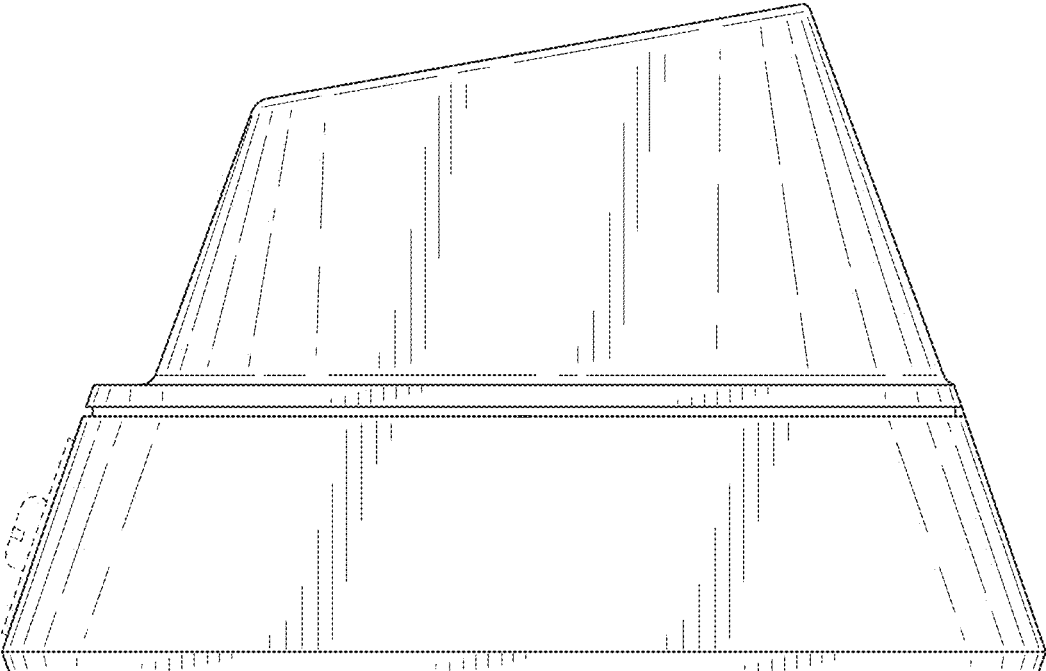


FIG. 3

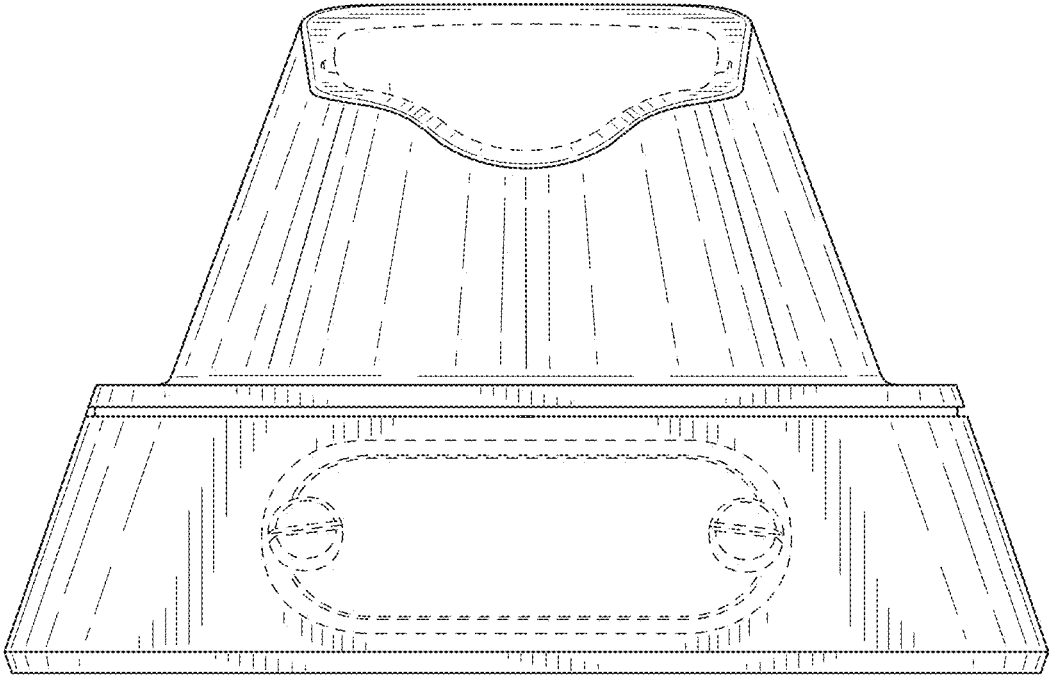


FIG. 4

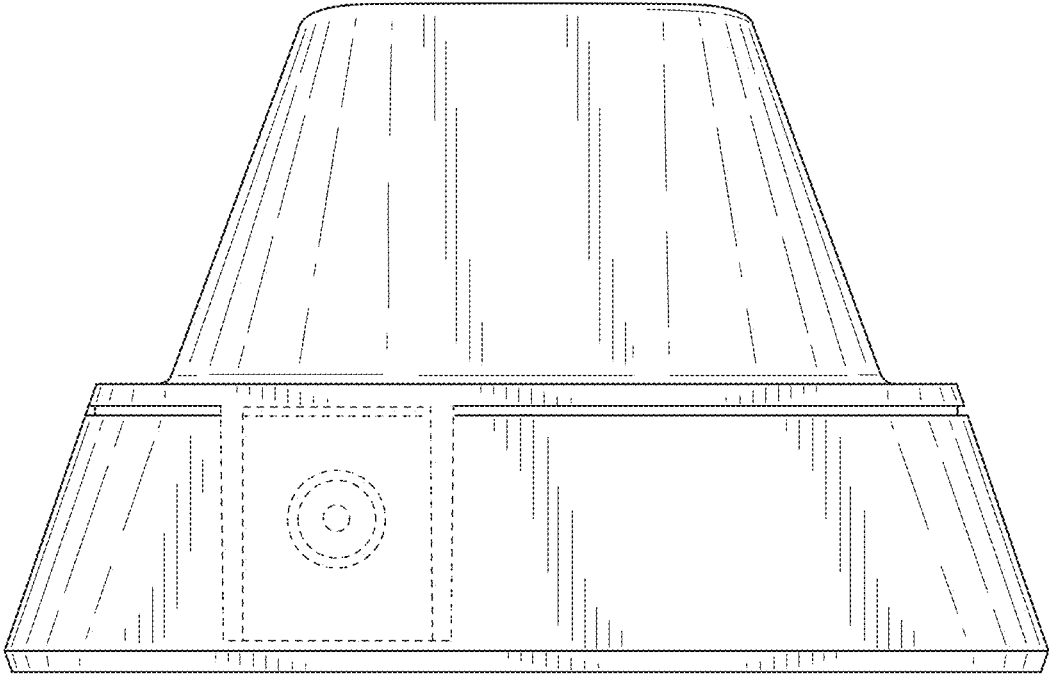


FIG. 5

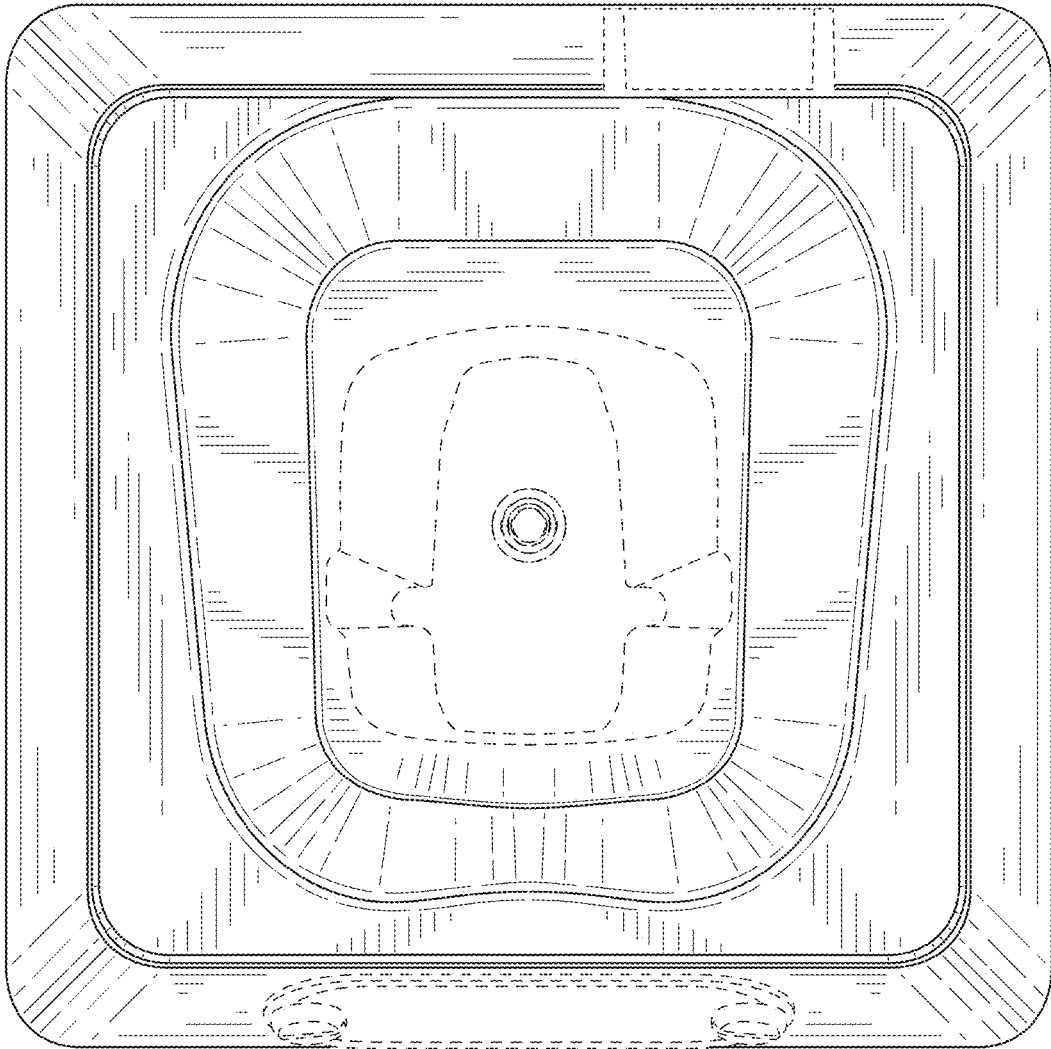


FIG. 6

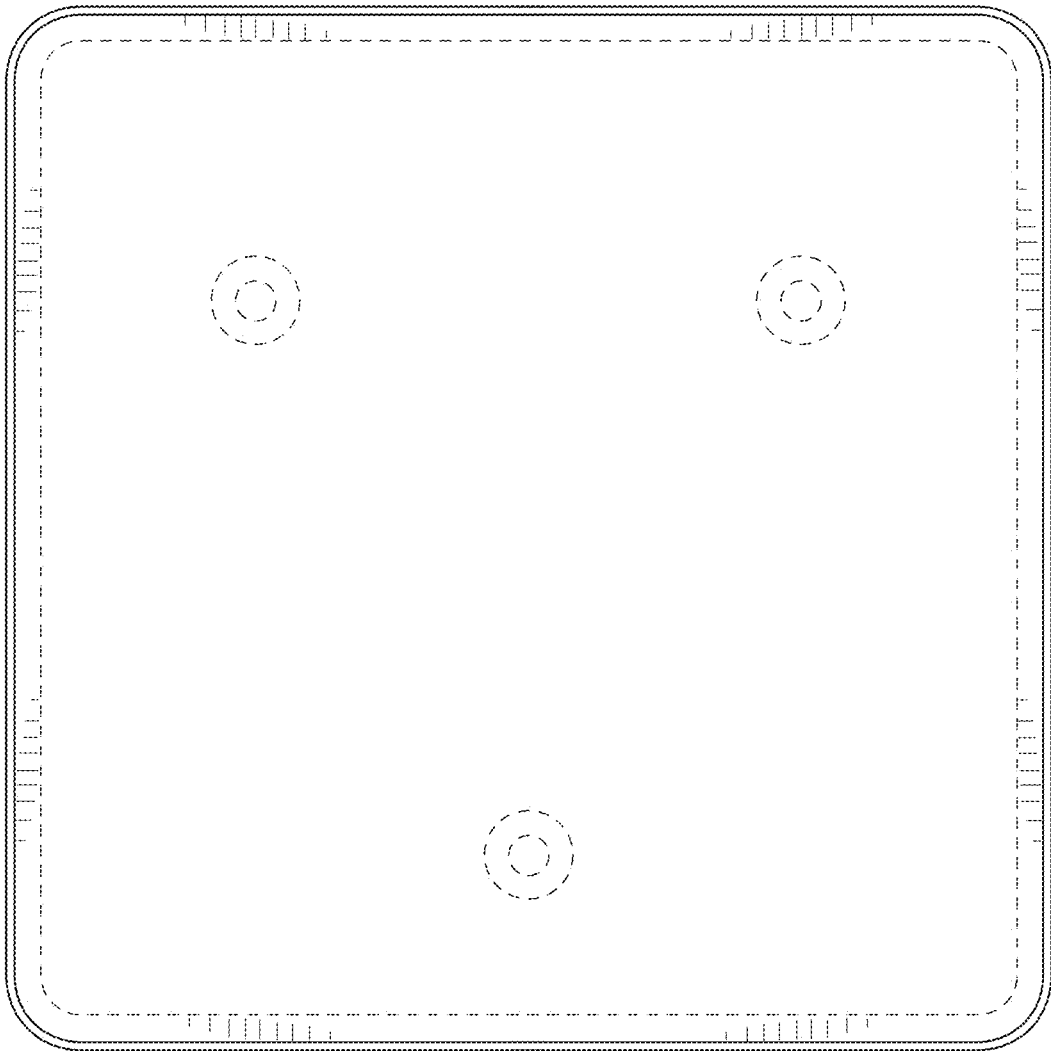


FIG. 7