



US00D352516S

United States Patent [19]

[11] Patent Number: **Des. 352,516**

Newman et al.

[45] Date of Patent: **** Nov. 15, 1994**

[54] TRAY

[75] Inventors: **Edward F. Newman**, Douglasville;
John R. Popps, Auburn, both of Ga.

[73] Assignee: **Ciba-Geigy Corporation**, New York,
N.Y.

D. 260,301 8/1981 O'Connor D28/8.1
 D. 284,405 6/1986 Srednicki D24/218
 D. 329,942 10/1992 Carr D3/20
 1,568,742 1/1926 Jung D7/357 X
 2,757,478 8/1956 Borland 206/557 X
 3,255,607 6/1966 Bair et al. 206/557 X
 4,691,820 9/1987 Martinez 206/5.1 X

[**] Term: **14 Years**

Primary Examiner—Alan P. Douglas
Assistant Examiner—M. N. Pandozzi
Attorney, Agent, or Firm—Edward McC. Roberts; R.
 Scott Meece

[21] Appl. No.: **5,807**

[22] Filed: **Mar. 11, 1993**

[52] U.S. Cl. **D24/218; D7/550;**
D7/554

[57] CLAIM

The ornamental design for a tray, as shown and described.

[58] Field of Search D7/554, 357, 550, 552,
D7/354, 355, 359, 363, 367, 545; D3/20;
206/564, 557, 5.1; 220/609, 671, 675; 134/901;
D28/8.1; D21/108; D16/124, 123; D24/218;
D32/24.1

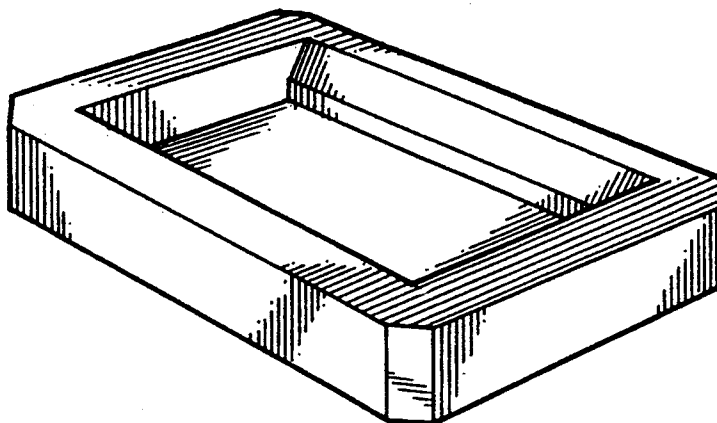
DESCRIPTION

FIG. 1 is a top perspective view of a tray of the present invention;
 FIG. 2 is a top view of the tray of the present invention;
 FIG. 3 is a bottom view of the tray of the present invention;
 FIG. 4 is a front elevational view, the rear elevational view being a mirror image thereof; and,
 FIG. 5 is a side elevational view of the tray of the present invention.

[56] References Cited

U.S. PATENT DOCUMENTS

D. 25,044 1/1896 Bodine D21/108
 D. 96,552 8/1935 Houghton, Jr. D11/143
 D. 217,502 5/1970 Valerie D7/550 X
 D. 232,564 8/1974 Kissin D7/545 X



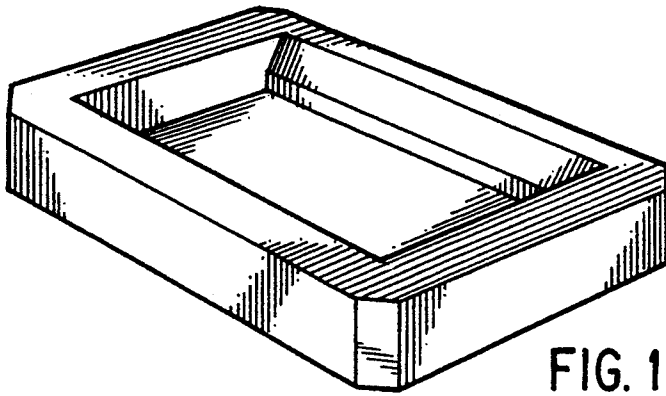


FIG. 1

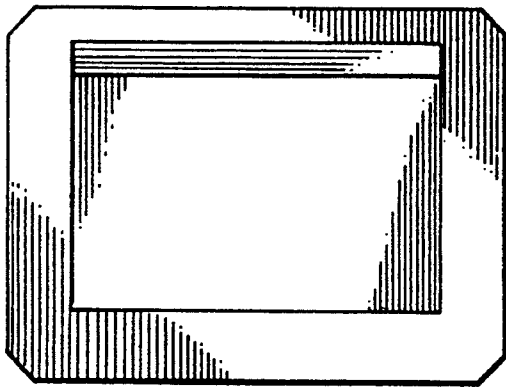


FIG. 2

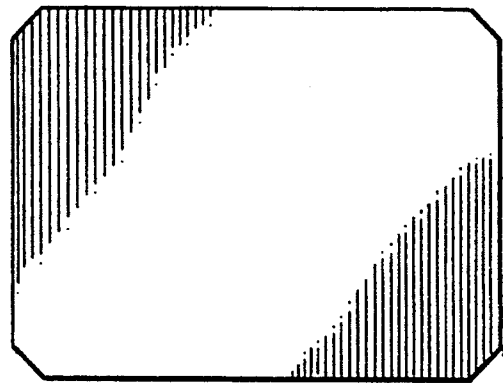


FIG. 3



FIG. 4

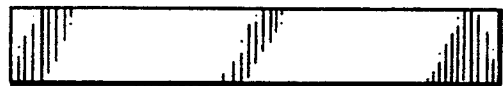


FIG. 5