



US00D984381S

(12) **United States Design Patent**
Underhill et al.

(10) **Patent No.:** **US D984,381 S**

(45) **Date of Patent:** **** Apr. 25, 2023**

(54) **BATTERY CABLE ASSEMBLY FOR JUMP STARTING DEVICE**

(71) Applicant: **THE NOCO COMPANY**, Glenwillow, OH (US)

(72) Inventors: **Derek Michael Underhill**, Tempe, AZ (US); **Jonathan Lewis Nook**, Gates Mills, OH (US)

(73) Assignee: **The Noco Company**, Glenwillow, OH (US)

(**) Term: **15 Years**

(21) Appl. No.: **29/759,914**

(22) Filed: **Nov. 25, 2020**

(51) **LOC (14) Cl.** **13-03**

(52) **U.S. Cl.**
USPC **D13/120**

(58) **Field of Classification Search**
USPC D13/118, 119, 120, 103, 148, 149, 151, D13/199; D12/223
CPC H01R 11/24; H01R 11/281; H01R 11/283
See application file for complete search history.

(56) **References Cited**

U.S. PATENT DOCUMENTS

D47,781 S	9/1915	Carson
3,020,518 A	2/1962	Camping et al.
3,267,452 A	8/1966	Wolf
3,571,701 A	3/1971	Lai
3,794,957 A	2/1974	Winkler
3,895,851 A	7/1975	Bolton et al.

(Continued)

FOREIGN PATENT DOCUMENTS

DE	29507501	6/1995
DE	202009016260	3/2010

(Continued)

OTHER PUBLICATIONS

Internet Archive Organization Wayback Machine archive of https://no.co/gc001 webpage: https://web.archive.org/web/20161226092635/https://no.co/gc001. date accessed: Jun. 2022. date first available: Dec. 2016. (Year: 2016).*

(Continued)

Primary Examiner — Jennifer O King

(74) *Attorney, Agent, or Firm* — Jones Day

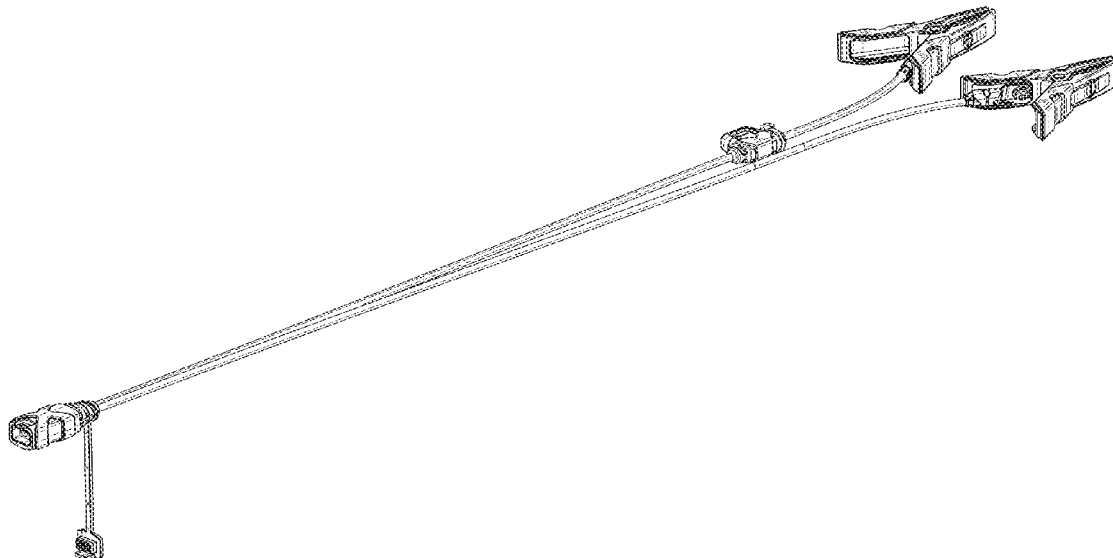
(57) **CLAIM**

The ornamental design for a battery cable assembly for jump starting device, as shown and described.

DESCRIPTION

FIG. 1 is a perspective view of a new design for battery cable assembly for a jump starting device;
 FIG. 2 is a rotated perspective view thereof;
 FIG. 3 is a front elevational view thereof of FIG. 1;
 FIG. 4 is a top plan view thereof of FIG. 1;
 FIG. 5 is a bottom plan view thereof of FIG. 1;
 FIG. 6 is a left side elevational view thereof of FIG. 1;
 FIG. 7 is a right side elevational view thereof of FIG. 1;
 FIG. 8 is a perspective view of a clamp portion thereof, shown in a closed position, and shown in isolation for ease of illustration;
 FIG. 9 is an exploded view of FIG. 8;
 FIG. 10 is another perspective view of FIG. 8, with the clamp in an open position;
 FIG. 11 is another perspective view of FIG. 10;
 FIG. 12 is a top and perspective view of a new design for battery cable assembly for a jump starting device, with the cord shown in a coiled position;
 FIG. 13 is a perspective view thereof of FIG. 12; and,
 FIG. 14 is another perspective view thereof of FIG. 12, shown without the clamps for ease of illustration.

1 Claim, 14 Drawing Sheets



US D984,381 S

(56)	References Cited	6,896,544 B1 *	5/2005	Kuelbs	H01R 13/717 439/504
	U.S. PATENT DOCUMENTS				
		D506,380 S	6/2005	Chu	
		D512,374 S *	12/2005	Kuelbs	D13/120
		D524,736 S	7/2006	Morita et al.	
		D525,210 S	7/2006	Disbennett	
		7,148,580 B2	12/2006	Sodemann et al.	
		D539,456 S	3/2007	Sassoon	
		D542,224 S	5/2007	Victor	
		D543,154 S	5/2007	Suckle et al.	
		D551,368 S	9/2007	Shiu	
		D552,560 S	10/2007	Victor	
		D553,089 S	10/2007	Victor	
		D555,594 S	11/2007	So	
		D555,820 S	11/2007	Lam	
		7,301,303 B1	11/2007	Hulden	
		D561,112 S	2/2008	Victor	
		D562,480 S	2/2008	Spartano	
		D567,184 S	4/2008	Victor	
		D571,179 S	6/2008	Ahlgren	
		D573,536 S	7/2008	Hariharsan et al.	
		D581,566 S	11/2008	Slawson	
		D586,750 S	2/2009	Li	
		D586,758 S	2/2009	Victor	
		D586,759 S	2/2009	Victor	
		D588,995 S	3/2009	Wu et al.	
		D593,959 S	6/2009	Victor	
		D596,125 S	7/2009	Norin et al.	
		D596,771 S	7/2009	Lee	
		D597,029 S	7/2009	Li	
		D597,946 S	8/2009	Li	
		7,568,816 B2	8/2009	Brass	
		D602,615 S	10/2009	Liu	
		7,598,699 B2	10/2009	Restaino et al.	
		D604,251 S	11/2009	Hwang	
		D608,624 S	1/2010	Adams	
		7,749,031 B2	7/2010	Detter	
		D623,322 S	9/2010	Wallach	
		D625,265 S	10/2010	DuMelle et al.	
		D625,580 S	10/2010	Giordano	
		D625,653 S	10/2010	De Felice	
		D627,730 S	11/2010	Huang et al.	
		D628,650 S	12/2010	Lake	
		D631,586 S	1/2011	Li	
		7,872,361 B2	1/2011	McFadden	
		D634,313 S	3/2011	Fitzpatrick et al.	
		7,959,476 B2	6/2011	Smith	
		D642,301 S	7/2011	Rothman	
		D643,815 S	8/2011	Mark et al.	
		D645,817 S	9/2011	Sasada	
		D649,116 S	11/2011	Nakatsuka	
		D649,866 S	12/2011	Roehrig et al.	
		8,076,900 B1	12/2011	Brown	
		D653,615 S	2/2012	Au	
		D654,246 S	2/2012	Bengyak	
		D654,854 S	2/2012	Inskeep	
		D656,259 S	3/2012	Ku	
		8,172,603 B1	5/2012	Richard, Jr.	
		8,199,024 B2	6/2012	Baxter et al.	
		D664,207 S	7/2012	Bengyak	
		D664,501 S	7/2012	Inskeep	
		D671,250 S	11/2012	Schrimmer	
		8,342,892 B2	1/2013	Fan et al.	
		8,376,775 B2	2/2013	Rinehardt	
		D678,202 S	3/2013	Corona	
		D678,838 S	3/2013	Henrink et al.	
		D681,550 S	5/2013	Corbin	
		D684,537 S	6/2013	Herink et al.	
		D686,155 S	7/2013	Nguyen	
		8,491,341 B2	7/2013	Bower et al.	
		8,493,021 B2	7/2013	Richardson et al.	
		D687,583 S	8/2013	Von Waldthausen	
		D687,768 S	8/2013	Minamikawa	
		D689,020 S	9/2013	Demirjian et al.	
		D694,176 S	11/2013	Buetow et al.	
		D694,180 S	11/2013	Inskeep	
		D699,378 S	2/2014	DiLuciano	
		D701,490 S	3/2014	Inskeep	
		D708,140 S	7/2014	Nook et al.	

(56)

References Cited

U.S. PATENT DOCUMENTS

D713,342 S 9/2014 Jacobs et al.
 8,888,535 B2 11/2014 Knight
 D718,999 S 12/2014 Robinson et al.
 D725,598 S 3/2015 Nook et al.
 D726,109 S 4/2015 Nook et al.
 D726,114 S 4/2015 Nook et al.
 D726,121 S 4/2015 Nook et al.
 D730,282 S 5/2015 Miller
 D734,726 S 7/2015 Nook et al.
 D735,665 S 8/2015 Nook et al.
 D737,216 S 8/2015 Nook et al.
 D737,782 S 9/2015 Nook et al.
 D738,307 S 9/2015 Nook et al.
 D738,825 S 9/2015 Nook et al.
 D739,354 S 9/2015 Nook et al.
 D741,264 S 10/2015 Vanbecelaere
 D744,316 S 12/2015 Nook et al.
 D745,455 S 12/2015 Nook et al.
 D746,770 S 1/2016 Nook et al.
 D746,774 S * 1/2016 Nook D13/120
 D754,377 S 4/2016 Nook et al.
 D754,606 S 4/2016 Nook et al.
 9,407,037 B2 8/2016 Kim
 9,461,376 B1 10/2016 Bakhom
 D775,752 S 1/2017 Nook et al.
 D800,666 S 10/2017 Nook et al.
 D801,272 S 10/2017 Nook et al.
 9,923,289 B2 3/2018 Bertness
 D815,863 S 4/2018 Wheeler
 D817,280 S 5/2018 Nook et al.
 D832,781 S 11/2018 Nook et al.
 D836,064 S 12/2018 Liu
 D845,229 S 4/2019 Chen
 D845,230 S 4/2019 Nook et al.
 D853,330 S 7/2019 Dai
 D867,985 S 11/2019 Nook et al.
 D889,411 S 7/2020 Wang
 D900,039 S 10/2020 Yoshida
 D911,286 S * 2/2021 Esses D13/120
 D913,932 S 3/2021 Nook et al.
 D913,933 S 3/2021 Nook et al.
 D913,934 S 3/2021 Nook et al.
 D913,935 S 3/2021 Nook et al.
 D913,936 S 3/2021 Nook et al.
 D913,937 S 3/2021 Nook et al.
 D913,938 S 3/2021 Nook et al.
 D931,811 S 9/2021 Bone
 D931,813 S 9/2021 Nook et al.
 11,114,777 B2 9/2021 Nook et al.
 D933,605 S 10/2021 Nook et al.
 D934,174 S 10/2021 Protti
 D934,804 S 11/2021 Nook et al.
 D934,805 S 11/2021 Nook et al.
 D946,526 S 3/2022 Wang
 D958,075 S 7/2022 Nook et al.
 D967,025 S 10/2022 Nook et al.
 2002/0041174 A1 4/2002 Purkey
 2003/0179070 A1 9/2003 Izumi
 2004/0130298 A1 7/2004 Krieger et al.
 2004/0172795 A1 9/2004 Cheng
 2005/0040788 A1 2/2005 Tseng
 2005/0110467 A1 5/2005 Thomason
 2005/0252573 A1 11/2005 Montani
 2006/0201558 A1 9/2006 Marty et al.
 2006/0286868 A1 12/2006 Pentell
 2007/0285049 A1 12/2007 Krieger et al.
 2008/0213653 A1 9/2008 Marukawa et al.
 2010/0033293 A1 2/2010 Cheng
 2010/0301800 A1 12/2010 Inskip
 2011/0068734 A1 3/2011 Waldron
 2011/0116861 A1 5/2011 Zhang et al.
 2012/0091944 A1 4/2012 Rogers
 2013/0042440 A1 2/2013 Davies
 2013/0154543 A1 6/2013 Richardson et al.
 2013/0164600 A1 6/2013 Rosskamp et al.

2013/0314041 A1 11/2013 Proebstle
 2014/0159509 A1 6/2014 Inskip
 2014/0199876 A1 7/2014 Kato
 2015/0200470 A1 7/2015 Bertness
 2020/0335887 A1 10/2020 Nook et al.
 2021/0094428 A1 4/2021 Nook et al.
 2022/0102878 A1* 3/2022 Zhang H01R 13/64
 2022/0181806 A1 6/2022 Nook

FOREIGN PATENT DOCUMENTS

DE 202013102599 8/2013
 EP 2472698 A2 7/2012
 WO WO 2004/036714 4/2004
 WO WO 2013/137873 9/2013

OTHER PUBLICATIONS

Blue Sea Systems Waterproof In-Line ATO/ATC Fuse Holder, posted at Amazon.com on Jun. 9, 2014 [online] (site visited Jun. 7, 2017). Available from Internet, URL: <https://www.amazon.com/Blue-Sea-Systems-Waterproof-Holder/dp/B004ZIU62>.
 Iztoss Waterproof Car Auto 10/15/20/30A Amp In Line Blade Fuse Holder Fuses, posted at Amazon.com on Sep. 8, 2015 [online] (site visited Jun. 7, 2017). Available from Internet, URL: <https://www.amazon.com/Iztoss-Waterproof-Blade-Holder-Fuses/dp/B01531YFYW>.
 Noco.com: GB20 Boost Sport 500A UltraSafe Lithium Jump Starter, Online: <https://No.co/go20> (Dec. 2016).
 Noco.com: GBC003 HD Precision Boost Battery Clamps, Online: <https://no.co/gbc003> (Jan. 2021).
 NOCO GC001 X-Connect Battery Clamp Accessory, Date: Jul. 7, 2004, [online], [site visited Dec. 14, 2021]. Available from internet, URL: <https://www.amazon.com/GC00-X-Connect-Accessory-Genius-packaging/dp/B004LWV0DY>.
 NOCO GC002 X-Connect Eyelet Terminal Connector, Date: Jun. 9, 2015, [online], [site visited Mar. 8, 2022]. Available from internet, URL: <https://www.amazon.co.jp/-/en/GC002-X-Connect-Terminal-Connector-Compllant/dp/B004LWQ35Y>.
 NOCO GPA002 HD X-Connect Battery Clamp Accessory with Integrated M10 Eyelets, Date: Sep. 14, 2021, [online], [site visited Apr. 14, 2022]. Available from internet, URL: <https://www.amazon.com/NOCO-GPA002-X-Connect-Integrated-GENIUSPRO25/dp/B09G77FSL2>.
 NOCO GPA004 Pro X-Connect Battery Clamp Accessory with Integrated M10 Eyelets, Date: Sep. 14, 2021, [online], [site visited Apr. 14, 2022]. Available from internet, URL: <https://www.amazon.com/NOCO-GPA004-X-Connect-Integrated-GENIUSPRO50/dp/B09G7WYC8Z>.
 NOCO GC009 X-Connect SAE Adapter Accessory, Date: Aug. 16, 2011 [online], [site visited Dec. 14, 2021], Available from internet, URL: <https://www.amazon.com/GC009-X-Connect-Accessory-Genius-Chargers/dp/B005DUMADC>.
 NOCO GC009 SAE Adapter, Date: Feb. 3, 2017, [online], [site visited Mar. 10, 2022]. Available from internet, URL: <https://www.amazon.co.jp/GC009-X-Connect-Accessory-Genius-Chargers/dp/B005DUMADC>.
 NOCO GC009 X-Connect, Date: Dec. 4, 2013, [online], [site visited Mar. 10, 2022], Available from internet, URL: <https://www.amazon.co.uk/GC009-X-Connect-Accessory-Genius-Chargers/dp/B005DUMADC>.
 NOCO Genius GC002 Eyelet Terminal Connector, posted at Amazon.com on Jul. 7, 2004 [online] (site visited Jun. 7, 2017). Available from Internet, URL: <https://www.amazon.com/NOCO-Genius-GC004-Extension-Cable/dp/B004LWQ35Y>.
 NOCO Genius GC004 10' Extension Cable, posted at Amazon.com on Jul. 7, 2004 [online] (site visited Jun. 7, 2017). Available from Internet, URL: <https://www.amazon.com/NOCO-Genius-GC004-Extension-Cable/dp/B004LWV0GO>.
 Motopower 0609A 3.1 Amp Waterproof Motorcycle USB Charger Kit SAE to USB Adapter, posted at Amazon.com on May 26, 2016 [online] (site visited Jun. 7, 2017). Available from Internet, URL:

(56)

References Cited

OTHER PUBLICATIONS

<https://www.amazon.com/Motopower-0609A-Waterproof-Motorcycle-Charger/product-reviews/B01DYE54LI>.

Nilight 50035R 2ft Ring Wire 2 Pin Lug Cable, Date: Apr. 22, 2019, [online], [site visited Jul. 15, 2022], Available from internet, URL: <https://www.amazon.com.au/Nilight-50035R-Disconnect-Connection-Motorcycle/dp/B07R1L827M>.

Schumacher WM-12 Cable Connector, posted at Amazon.com on Jul. 19, 2010 [online] (site visited Jun. 7, 2017). Available from Internet, URL: <https://www.amazon.com/Schumacher-WM-12-Connector-Battery-Maintainer/dp/B003WDDLTO>.

Sparking 2ft Motorcycle Battery Charger Cord, Date: Nov. 22, 2018, [online], [site visited Jul. 15, 2022]. Available from internet, URL: <https://www.amazon.com/au/SPARKING-Motorcycle-Disconnect-Extension-Accessory/dp/B07KS2GCXJ>.

Tineye.com—Hand Display Black [published Mar. 19, 2010; retrieved Jun. 12, 2019] Online: url:<https://tineye.com/search/4e8edb8d9936d7b87591eaabc6ef8be520b559a4?page=1>.

Tineye.com—Hand Display Chrome [published Nov. 22, 2013; retrieved Jun. 12, 2019] Online: url:<https://tineye.com/search/04c0aff891da06df214d842ef8cc3b47e7049ae?page=1>.

Battery Tender 081-0069-6 Ring Terminal Harness with Black Fused 2-Pin Quick Disconnect Plug, posted at Amazon.com on Jan. 19, 2011 [online] (site visited Jun. 7, 2017). Available from Internet, URL: <https://www.amazon.com/Battery-Tender-081-0069-6-TerminalDisconnect/dp/B004JV6OMO>.

U.S. Trademark Application No. 86/030,590, filed Aug. 6, 2013, including drawing and sample.

Vemote SAE Battery Connector 10AWG SAE to Ring Terminal Harness, Date: Dec. 2, 2020, [online], [site visited Jul. 15, 2022]. Available from internet, URL: <https://www.amazon.com/au/Vemote-Connector-Disconnect-Extension-Motorcycle-RVs/dp/B08PFGHK5B>.

Yetor Battery Alligator Clips, SAE Quick Release Adapter to Alligator Clips, Date: Oct. 25, 2019, [online], [site visited Jul. 15, 2022]. Available from internet, URL: <https://www.amazon.com/au/YETOR-Alligator-Connectors-Extension-Motorcycles/dp/B07ZCVS1G>.

* cited by examiner

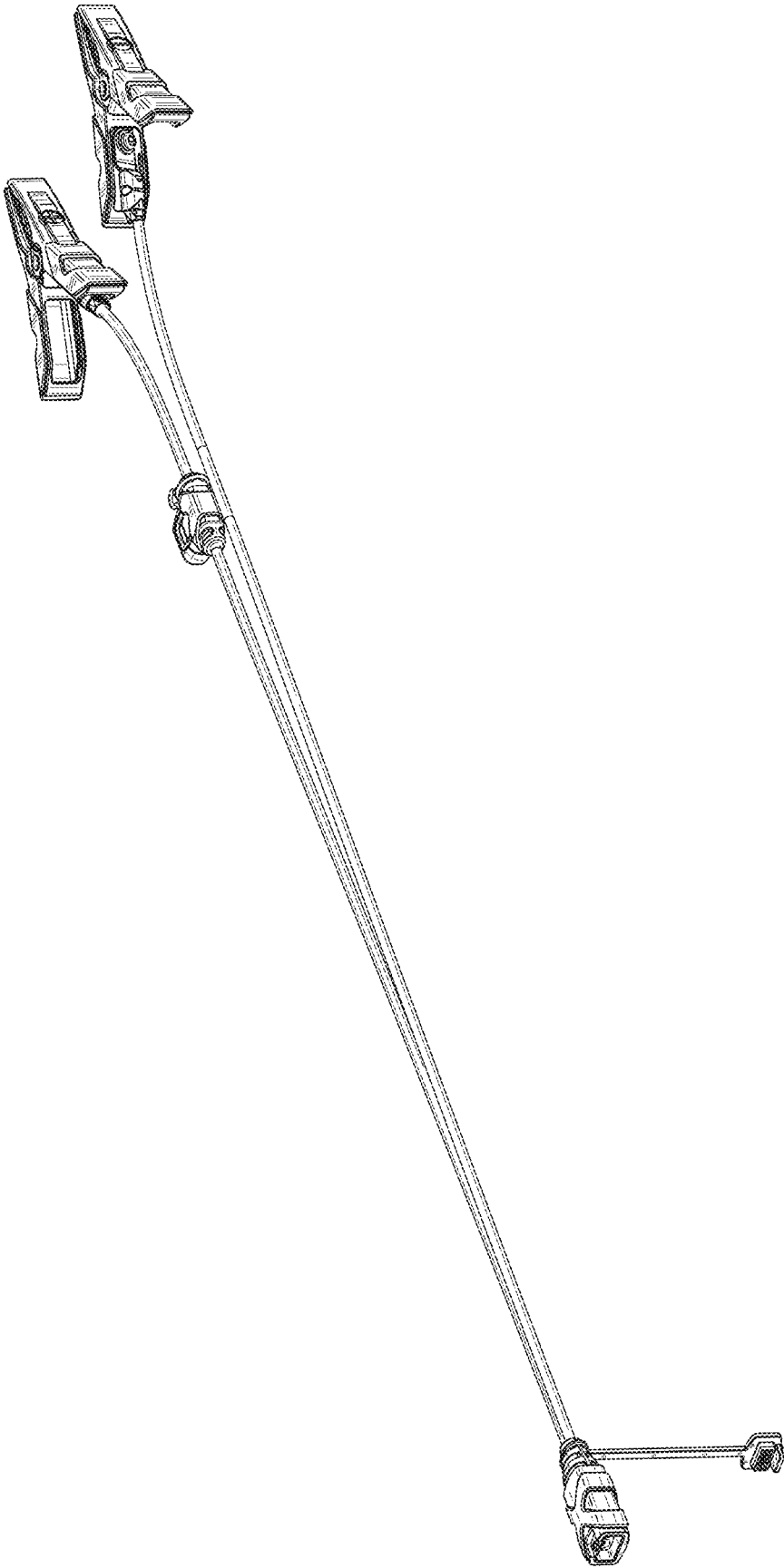


FIG. 1



FIG. 2

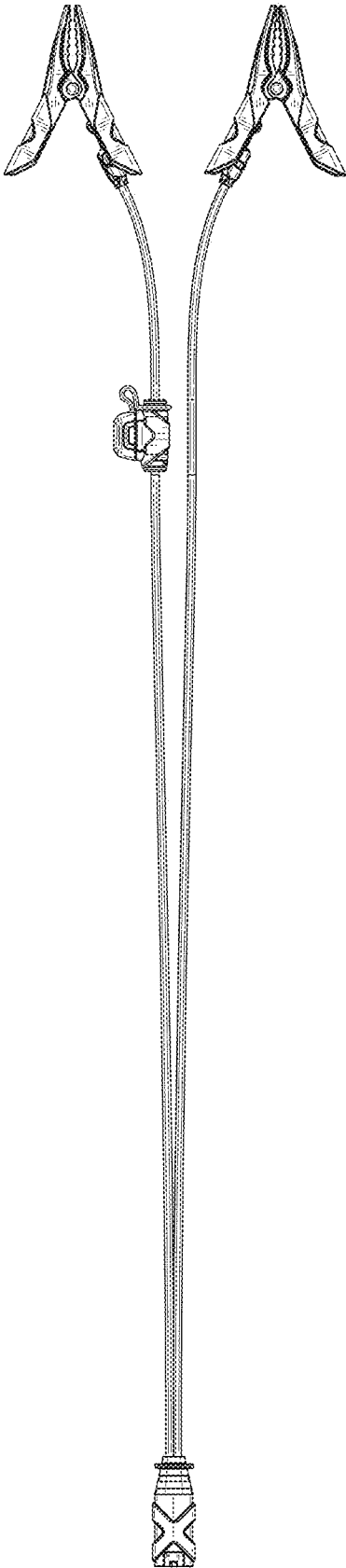


FIG. 3

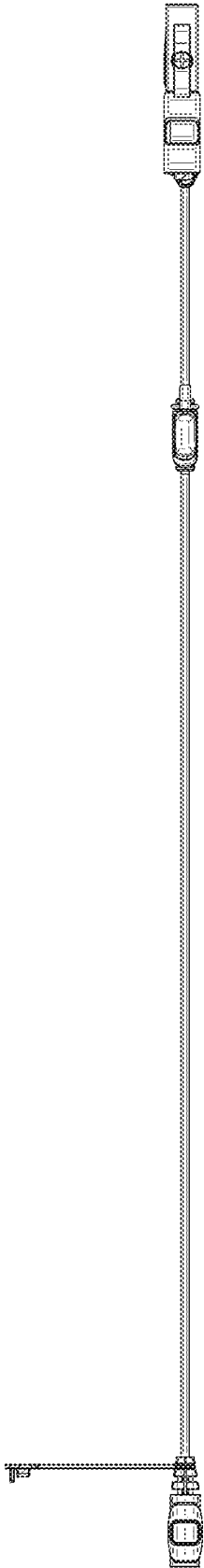


FIG. 4

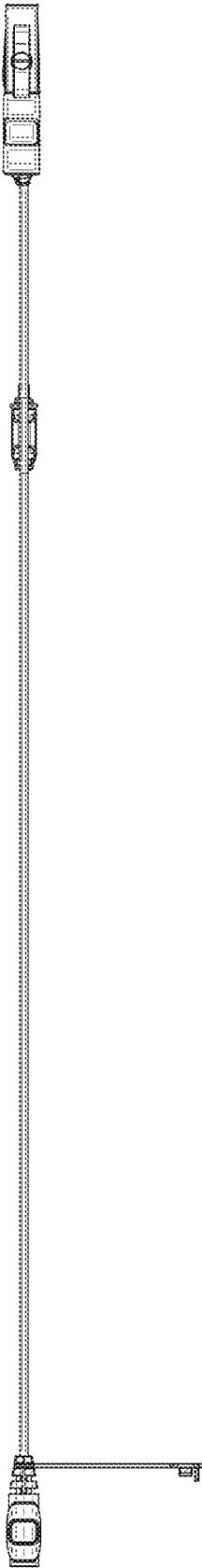


FIG. 5

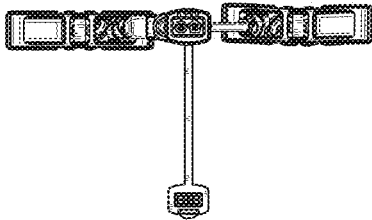


FIG. 6

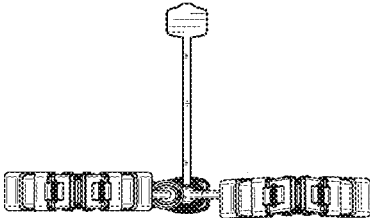


FIG. 7

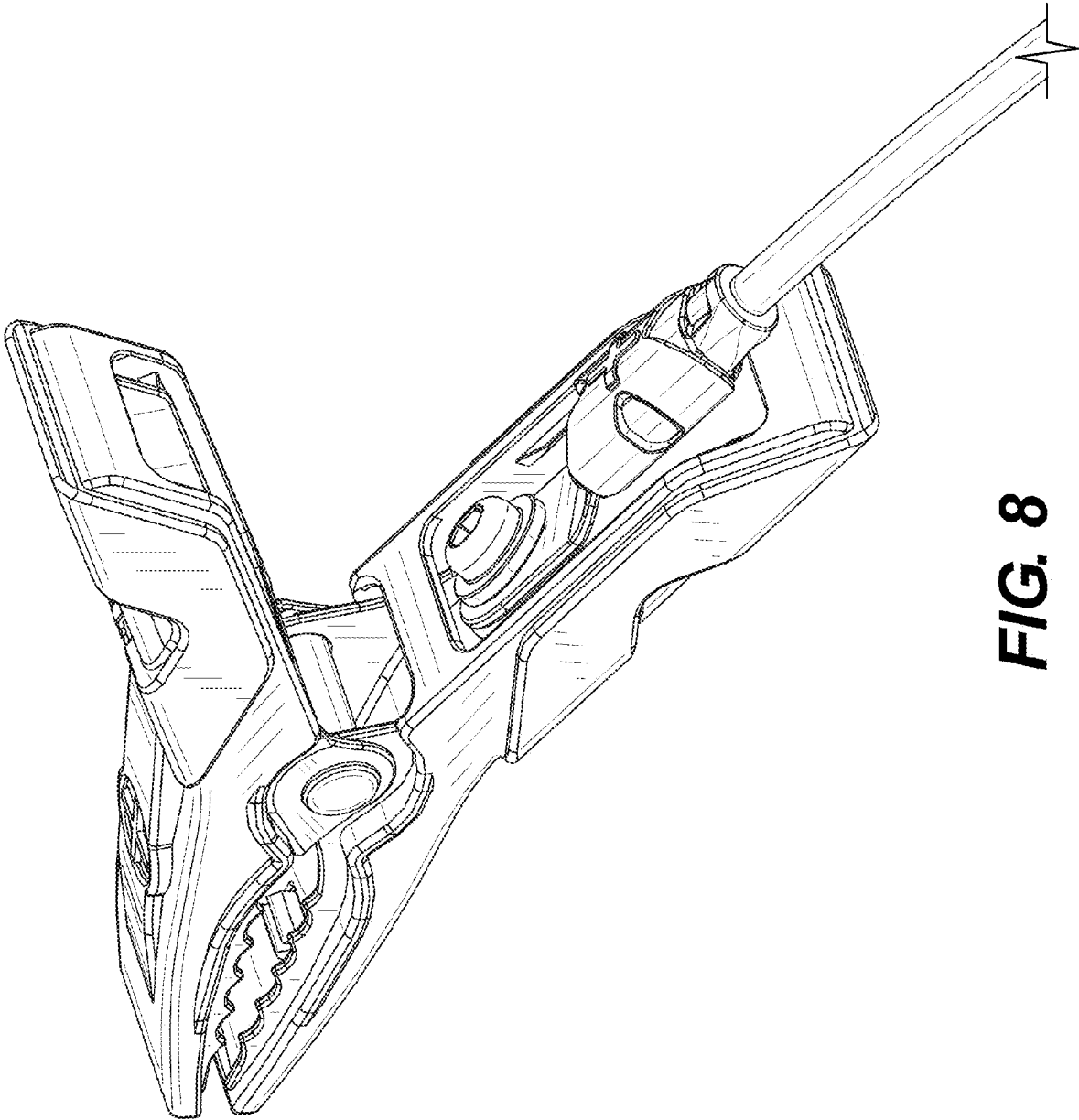


FIG. 8

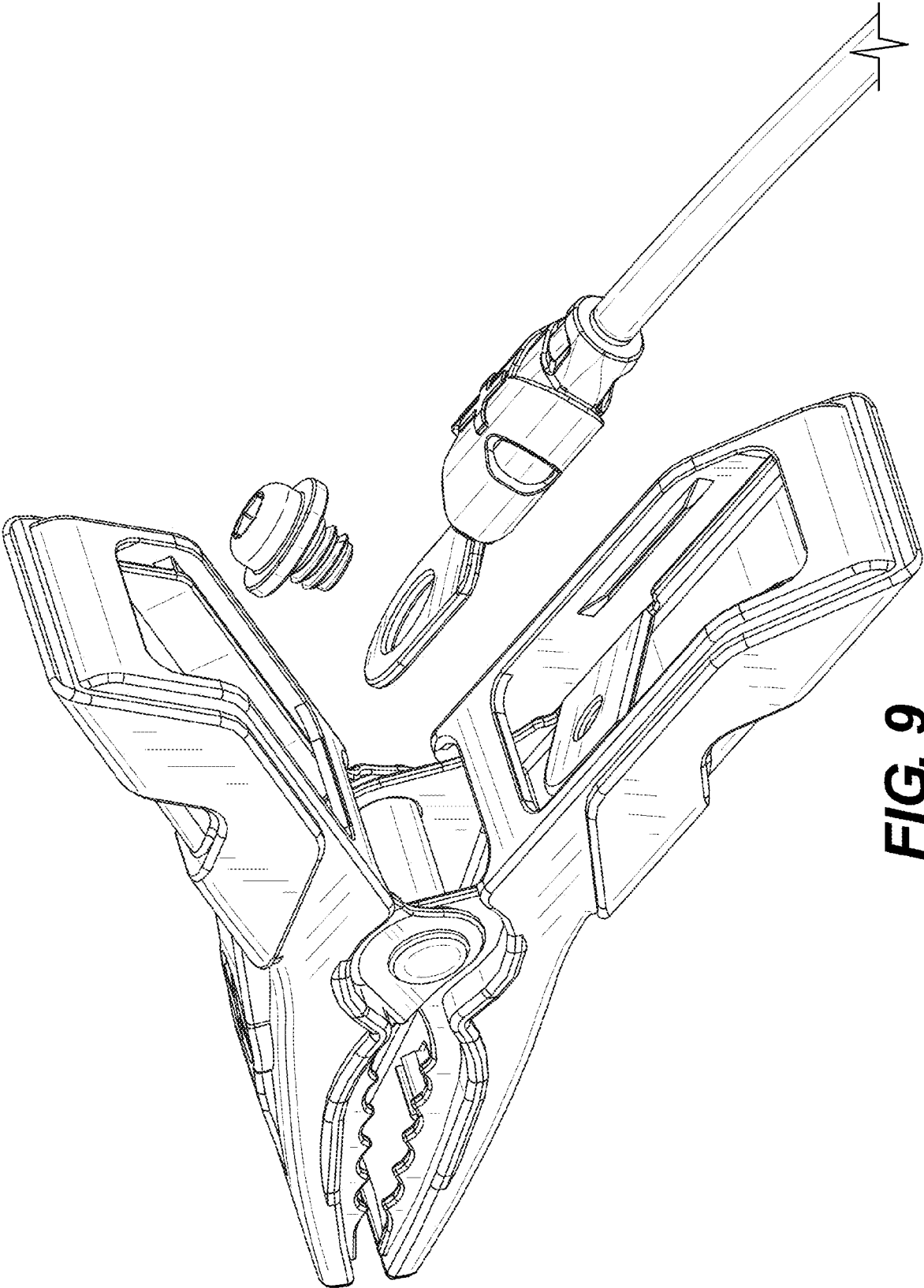


FIG. 9

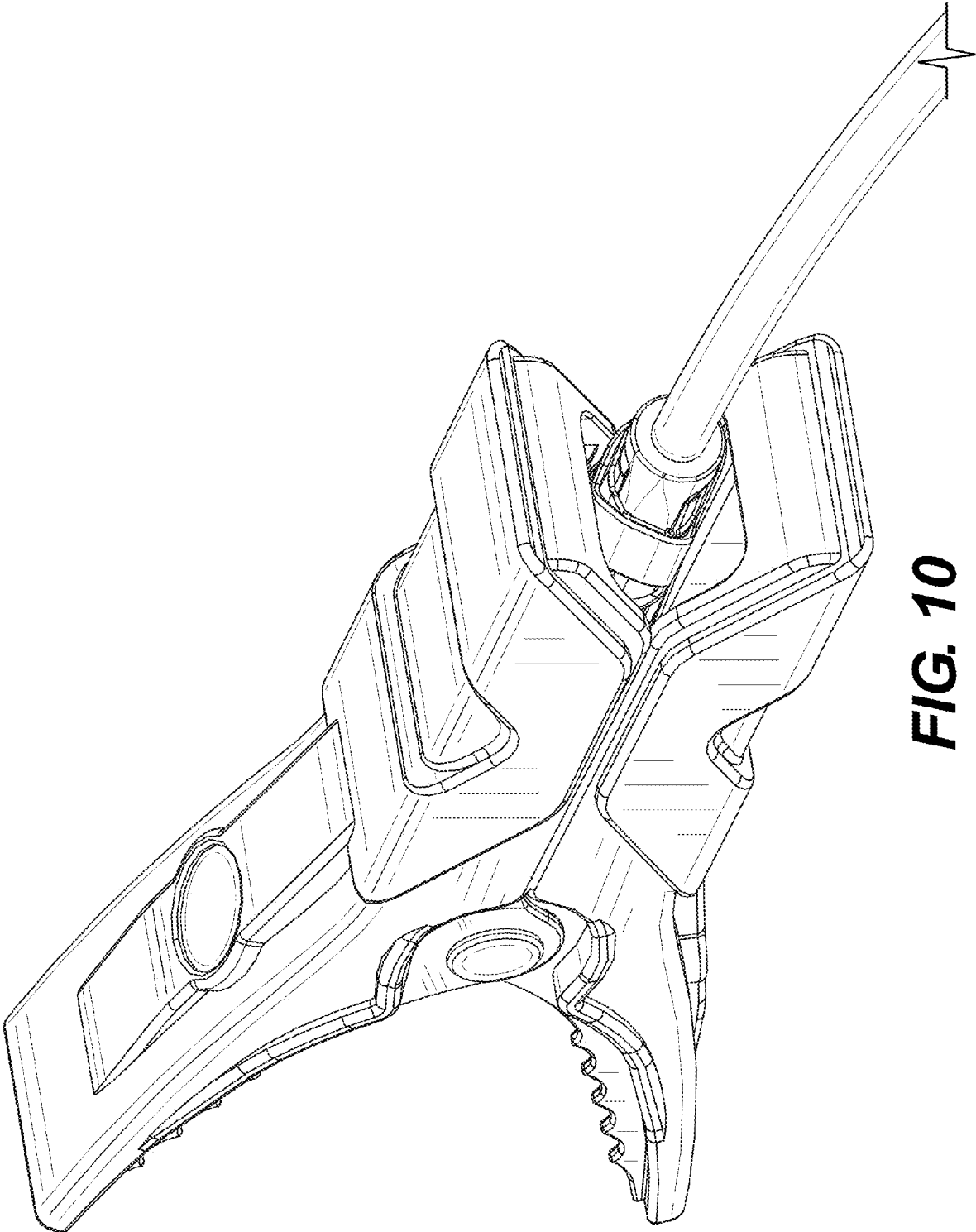


FIG. 10

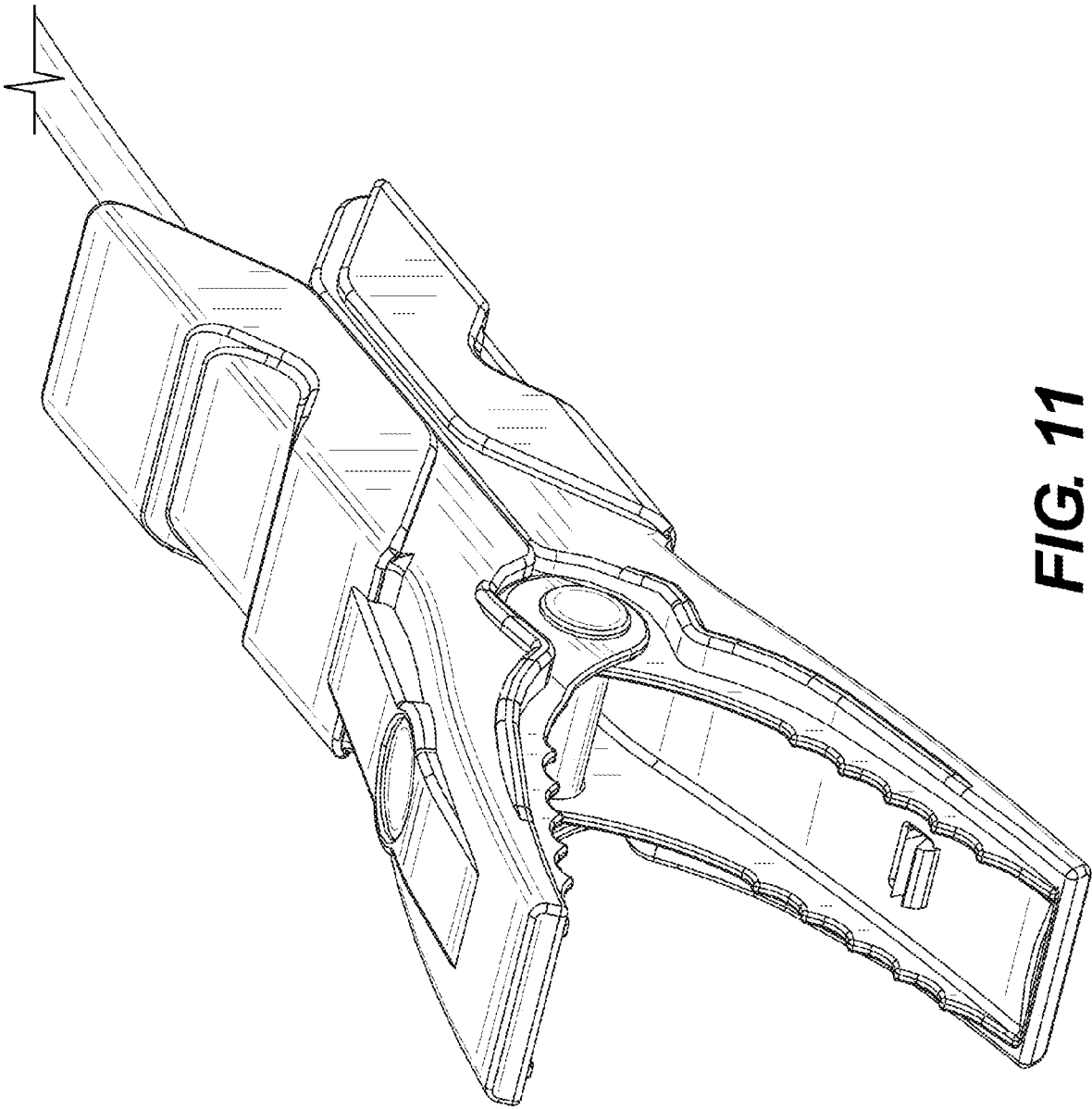


FIG. 11

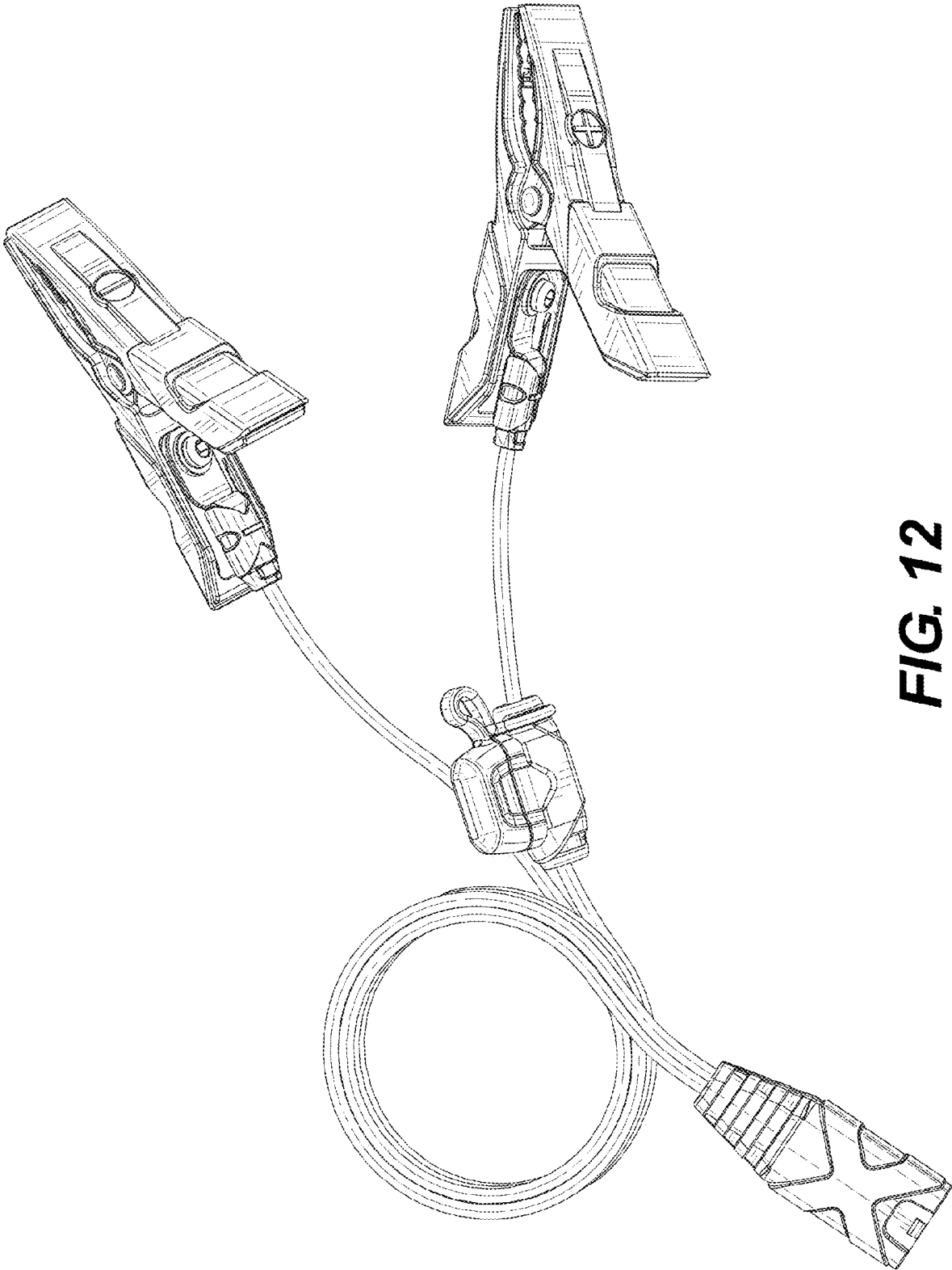


FIG. 12

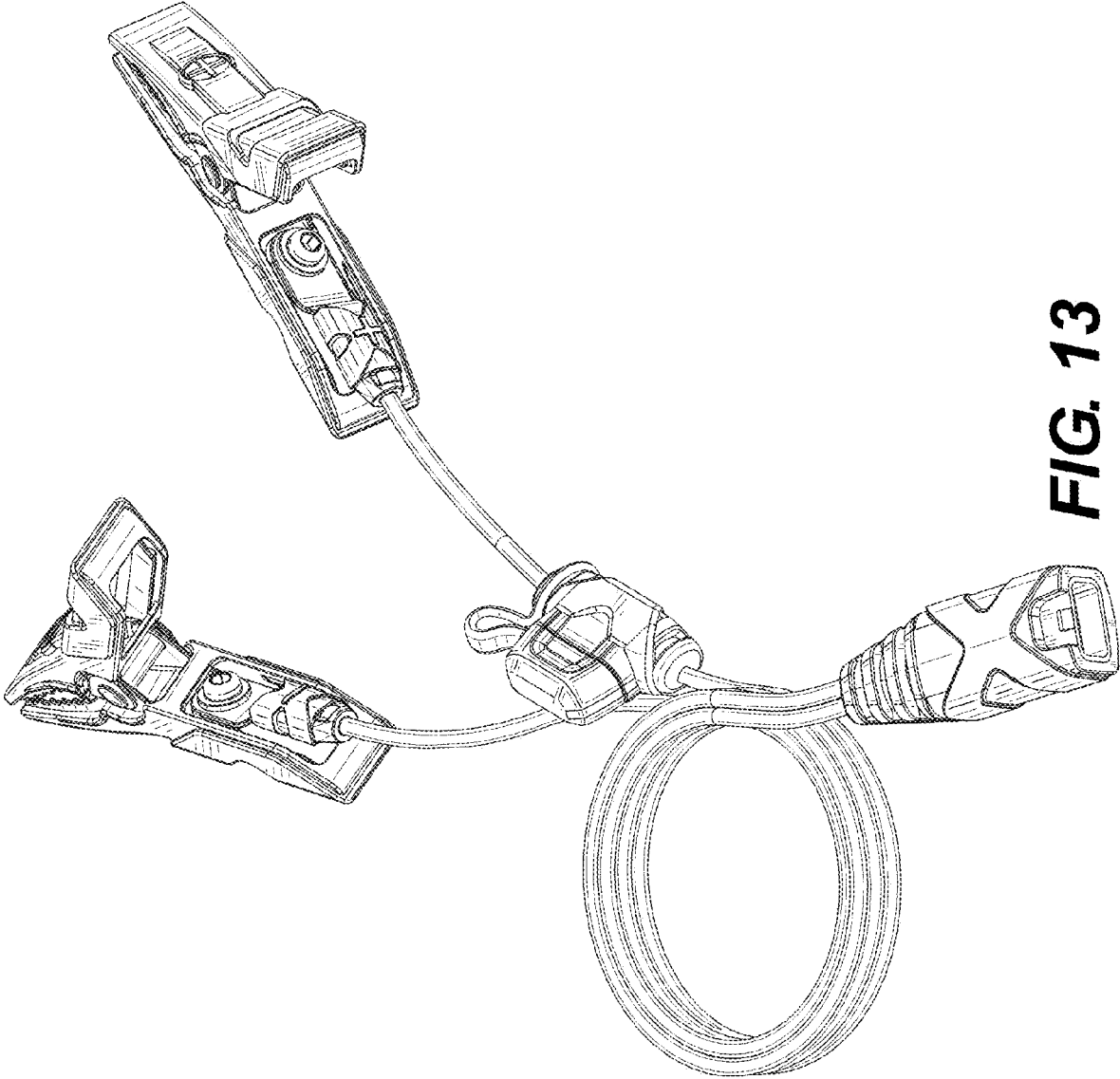


FIG. 13

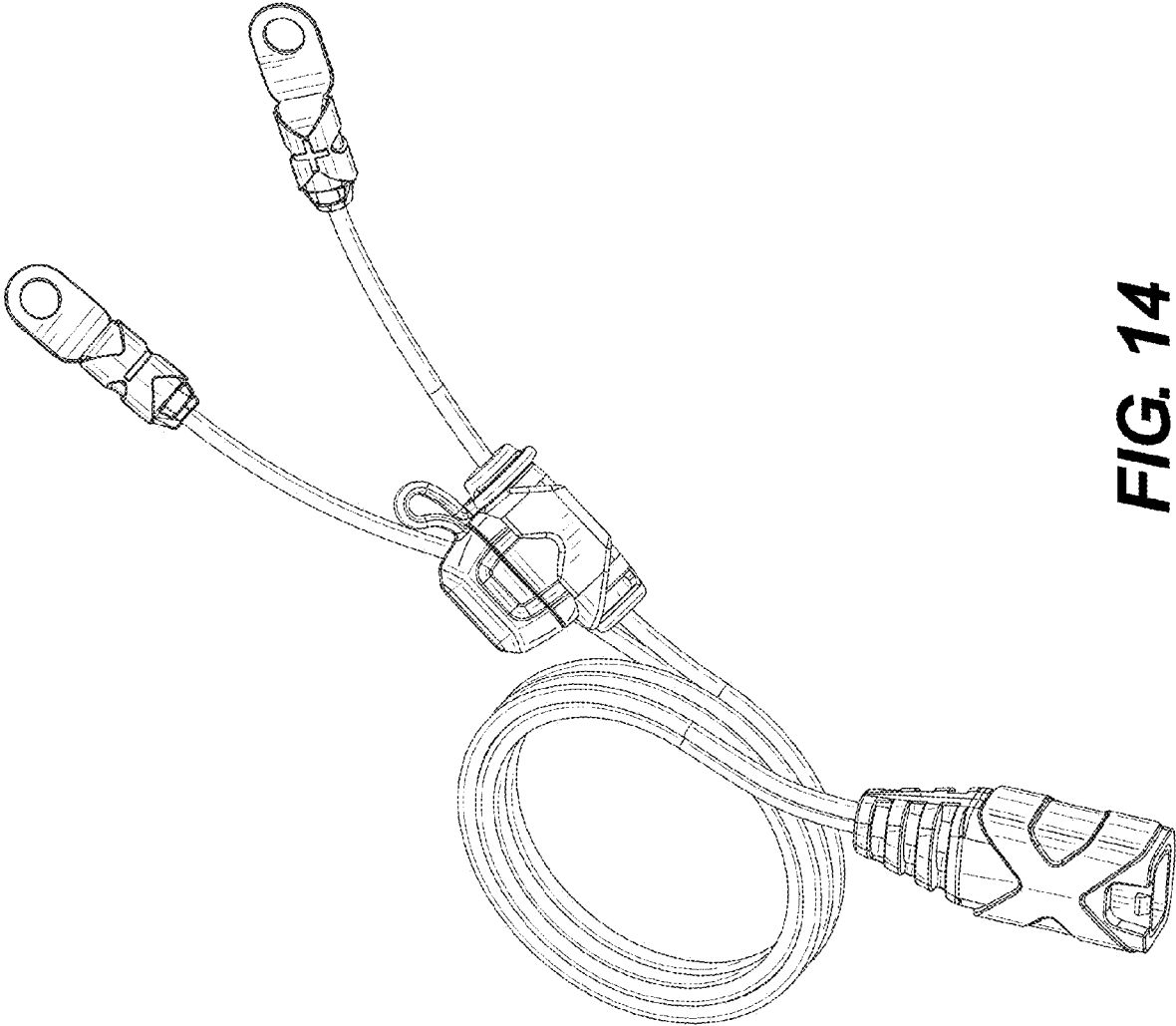


FIG. 14