



(12) **United States Design Patent**
Huang

(10) **Patent No.:** **US D929,399 S**
(45) **Date of Patent:** **** Aug. 31, 2021**

(54) **SMART HOME HUB**
(71) Applicant: **AMBIT MICROSYSTEMS (SHANGHAI) LTD.**, Shanghai (CN)
(72) Inventor: **Hsiao-Ju Huang**, New Taipei (TW)
(73) Assignee: **AMBIT MICROSYSTEMS (SHANGHAI) LTD.**, Shanghai (CN)
(**) Term: **15 Years**
(21) Appl. No.: **29/700,806**
(22) Filed: **Aug. 6, 2019**
(51) **LOC (13) Cl.** **14-02**
(52) **U.S. Cl.**
USPC **D14/358**; D14/496; D14/240
(58) **Field of Classification Search**
USPC D14/140, 140.1, 140.6, 240, 242, 125, D14/129, 130, 142, 155, 167, 168, 172, D14/188, 195, 299, 496, 197, 198, 230, D14/348, 351, 356, 357, 358, 449, 450, D14/336; D13/110, 123, 152, 158, 162, D13/162.1, 163, 184, 199, 108, 179; D10/104.1, 106.1, 106.6, 116.1, 61, 64, D10/75, 106.9, 106.95
CPC G06F 1/1601
See application file for complete search history.

D693,314 S *	11/2013	McKeage	D13/162
D697,064 S *	1/2014	Chen	D14/336
D699,354 S *	2/2014	Chung	D24/158
D726,136 S *	4/2015	Cho	D14/126
D727,863 S *	4/2015	Sung	D14/126
D755,783 S *	5/2016	Shi	D14/336
D760,719 S *	7/2016	Zhou	D14/420
D767,508 S *	9/2016	Dimberg	D13/168
D781,277 S *	3/2017	Cameron	D14/250
D782,481 S *	3/2017	Zhou	D14/420
D784,270 S *	4/2017	Bhattacharya	D13/162
D784,542 S *	4/2017	Zwierstra	D24/186
D803,218 S *	11/2017	Zhou	D14/420
D811,383 S *	2/2018	Diasabeygunawardena	D14/336
D811,392 S *	2/2018	Lu	D14/358
D834,437 S *	11/2018	Zhang	D10/106.95
D834,979 S *	12/2018	Zhang	D10/106.95
D839,264 S *	1/2019	Nagano	D14/301
D850,430 S *	6/2019	Wu	D14/240
D850,440 S *	6/2019	Gentle	D14/336
D857,007 S *	8/2019	Pitallano	D14/307
D871,500 S *	12/2019	Balar	D18/4.5
D889,456 S *	7/2020	Yao	D14/336

(Continued)

Primary Examiner — Marie D. Fast Horse
(74) Attorney, Agent, or Firm — ScienBiziP, P.C.

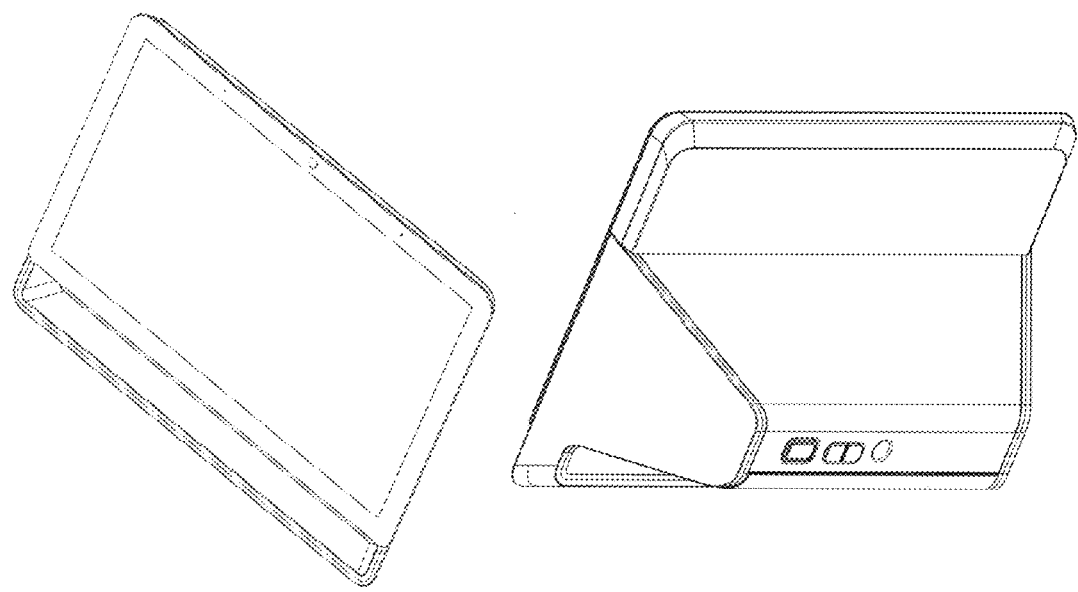
(57) **CLAIM**
The ornamental design for a smart home hub, as shown and described.

DESCRIPTION

FIG. 1 is a perspective view of a smart home hub;
FIG. 2 is another perspective view of the smart home hub;
FIG. 3 is a front elevational view thereof;
FIG. 4 is a rear elevational view thereof;
FIG. 5 is a left side elevational view thereof;
FIG. 6 is a right side elevational view thereof;
FIG. 7 is a top plan view thereof; and,
FIG. 8 is a bottom plan view thereof.

1 Claim, 8 Drawing Sheets

(56) **References Cited**
U.S. PATENT DOCUMENTS
D335,963 S * 6/1993 Tracey D6/300
D654,450 S * 2/2012 McManigal D14/129
D661,266 S * 6/2012 Laube D14/126
D661,671 S * 6/2012 Laube D14/126
D682,266 S * 5/2013 Wu D14/358
D687,431 S * 8/2013 Landis D14/336
D689,483 S * 9/2013 Wu D14/358
D691,818 S * 10/2013 Shibata D6/308



(56)

References Cited

U.S. PATENT DOCUMENTS

D891,428	S	*	7/2020	Taylor	D14/371
D894,844	S	*	9/2020	Boynton	D13/162
D899,395	S	*	10/2020	Pang	D14/203.7
D902,297	S	*	11/2020	Cathala	D14/307
D905,027	S	*	12/2020	Chang	D14/240
D907,032	S	*	1/2021	Solomon	D14/336
D916,471	S	*	4/2021	Jiang	D6/308
2015/0198973	A1	*	7/2015	Le	G06F 1/1601 248/688

* cited by examiner

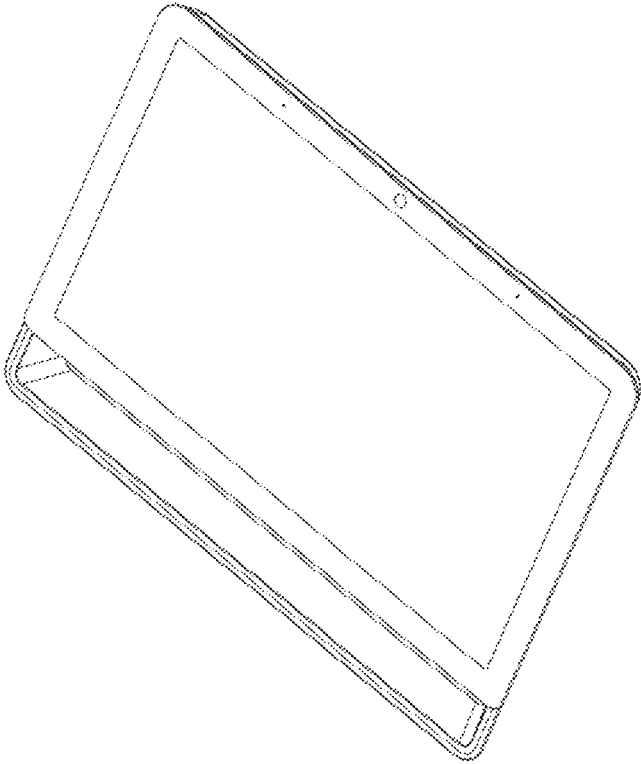


FIG 1

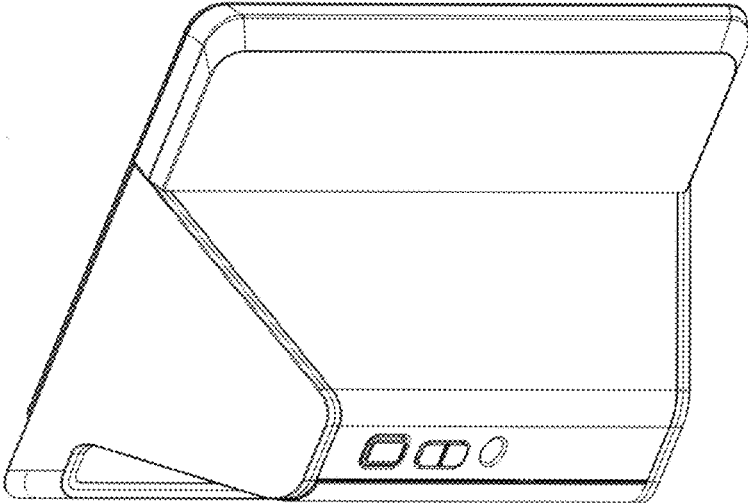


FIG. 2

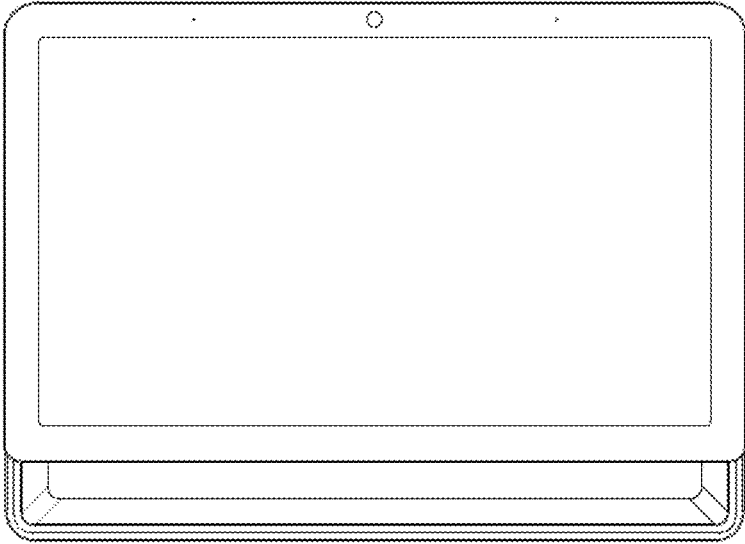


FIG. 3

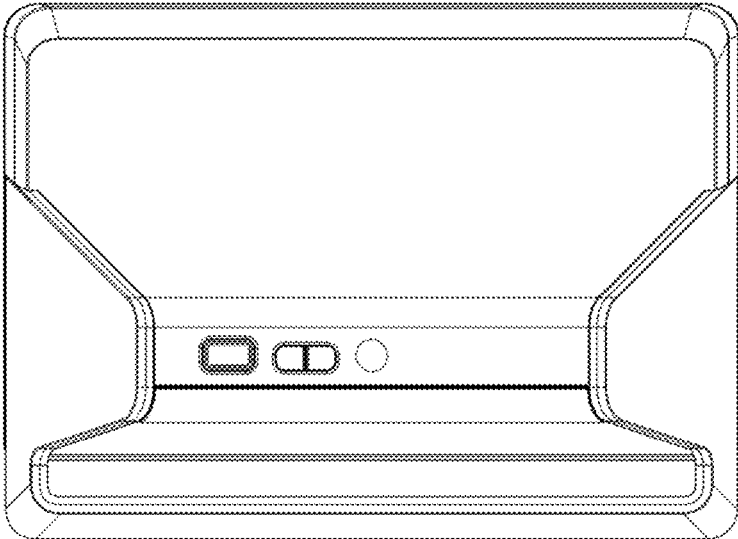


FIG. 4

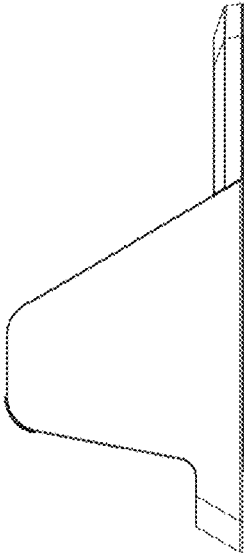


FIG. 5

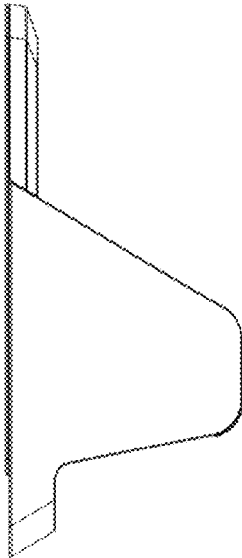


FIG. 6

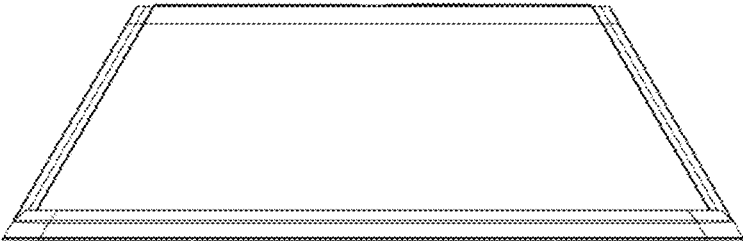


FIG 7

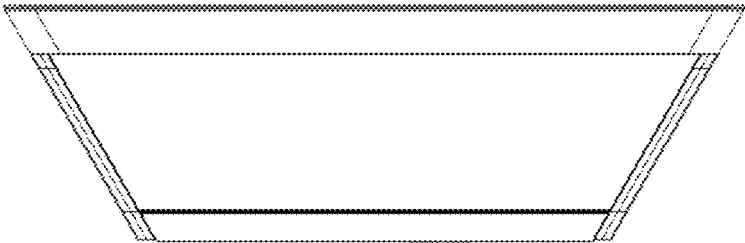


FIG 8