



(12) **United States Design Patent**  
**Kong**

(10) **Patent No.:** **US D926,007 S**  
(45) **Date of Patent:** **\*\* Jul. 27, 2021**

- (54) **CHAINSAW**
- (71) Applicant: **Yongkang Huiyan Industry and Trade Co., Ltd., Zhejiang (CN)**
- (72) Inventor: **Lingzhou Kong, Zhengzhou (CN)**
- (\*\*) Term: **15 Years**
- (21) Appl. No.: **29/764,158**
- (22) Filed: **Dec. 29, 2020**
- (51) **LOC (13) Cl.** ..... **08-03**
- (52) **U.S. Cl.**  
USPC ..... **D8/65**
- (58) **Field of Classification Search**  
USPC ..... D8/4, 5, 61, 64, 65, 60; D15/127, 129, D15/133  
CPC ..... A01G 3/033; A01G 3/037; A01G 3/085; A01G 3/086; B23D 29/02; B23D 29/023; B23D 29/026; B23D 49/10; B23D 49/12; B26B 15/00; B27B 17/0008; B27B 17/086; B27B 17/083; B27B 17/08  
See application file for complete search history.

D642,038	S	*	7/2011	Murray	.....	D8/68
D657,221	S	*	4/2012	Isobe	.....	D8/61
D674,263	S	*	1/2013	Aglassinger	.....	D8/64
D679,565	S	*	4/2013	Aglassinger	.....	D8/64
D682,650	S	*	5/2013	Kawase	.....	D8/68
8,919,787	B1	*	12/2014	Wilcher	.....	B26D 7/2614 279/143
D725,981	S	*	4/2015	Elder	.....	D8/68
D735,006	S	*	7/2015	Aoki	.....	D8/68
D767,959	S	*	10/2016	Sokat	.....	D8/61
D835,963	S	*	12/2018	Barezzani	.....	D8/68
D845,733	S	*	4/2019	Yajima	.....	D8/68
D847,600	S	*	5/2019	Waldron	.....	D8/68
D858,237	S	*	9/2019	Haneishi	.....	D8/61
D860,744	S	*	9/2019	Lau	.....	D8/68
D869,926	S	*	12/2019	Waldron	.....	D8/68
D891,214	S	*	7/2020	Lu	.....	D8/61
D906,779	S	*	1/2021	Tinius	.....	D8/64
D907,978	S	*	1/2021	Schaefer	.....	D8/61
D914,475	S	*	3/2021	Thompson	.....	D8/68

(Continued)

*Primary Examiner* — Holly E Thurman  
*Assistant Examiner* — Ieisha N Price

(57) **CLAIM**

The ornamental design for a chainsaw, as shown and described.

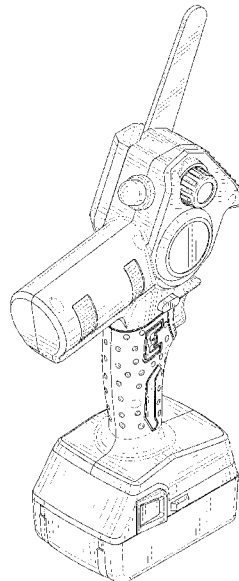
**DESCRIPTION**

FIG. 1 is a front and top perspective view of a chainsaw, showing my new design;  
 FIG. 2 is a rear and bottom perspective view thereof;  
 FIG. 3 is a front elevation view thereof;  
 FIG. 4 is a rear elevation view thereof;  
 FIG. 5 is a left side elevation view thereof;  
 FIG. 6 is a right side elevation view thereof;  
 FIG. 7 is a top plan View thereof; and,  
 FIG. 8 is a bottom plan view thereof.  
 The dashed broken lines in the figures illustrate portions of the chainsaw and form no part of the claimed design.

**1 Claim, 8 Drawing Sheets**

(56) **References Cited**  
U.S. PATENT DOCUMENTS

3,039,502	A	*	6/1962	Spivey	.....	B27F 5/08 144/73
5,685,080	A	*	11/1997	Amano	.....	B27B 17/08 30/383
D388,300	S	*	12/1997	Jeltsch	.....	D8/61
D426,760	S	*	6/2000	Schultz	.....	D8/61
D536,590	S	*	2/2007	Busschaert	.....	D8/65
D550,048	S	*	9/2007	Robson	.....	D8/5
D567,049	S	*	4/2008	Van Wambeke	.....	D8/64
D603,672	S	*	11/2009	Baxter	.....	D8/5
D610,423	S	*	2/2010	Houghton	.....	D8/68
D614,468	S	*	4/2010	Aglassinger	.....	B25F 5/02 D8/68
D618,975	S	*	7/2010	Yamamoto	.....	D8/68



(56)

**References Cited**

U.S. PATENT DOCUMENTS

2011/0005088	A1*	1/2011	Pellenc .....	B27B 17/12 30/383
2012/0165152	A1*	6/2012	Tokunaga .....	B25B 21/00 475/159
2013/0219725	A1*	8/2013	Winkel .....	B26B 15/00 30/228
2017/0239835	A1*	8/2017	Ebner .....	B27B 17/02
2018/0133818	A1*	5/2018	Mang .....	B27B 17/08
2018/0272445	A1*	9/2018	Perkins .....	B23D 29/00
2020/0139459	A1*	5/2020	Nagasaka .....	B23D 27/04
2020/0282481	A1*	9/2020	Lehr .....	B23D 17/06
2020/0316697	A1*	10/2020	Ohta .....	H02G 1/005
2020/0347991	A1*	11/2020	Pellenc .....	B26D 7/24
2021/0076572	A1*	3/2021	Lam .....	A01G 3/0335
2021/0078123	A1*	3/2021	Oberhofer .....	B23Q 5/58
2021/0101303	A1*	4/2021	Hess .....	B27B 17/0008

\* cited by examiner

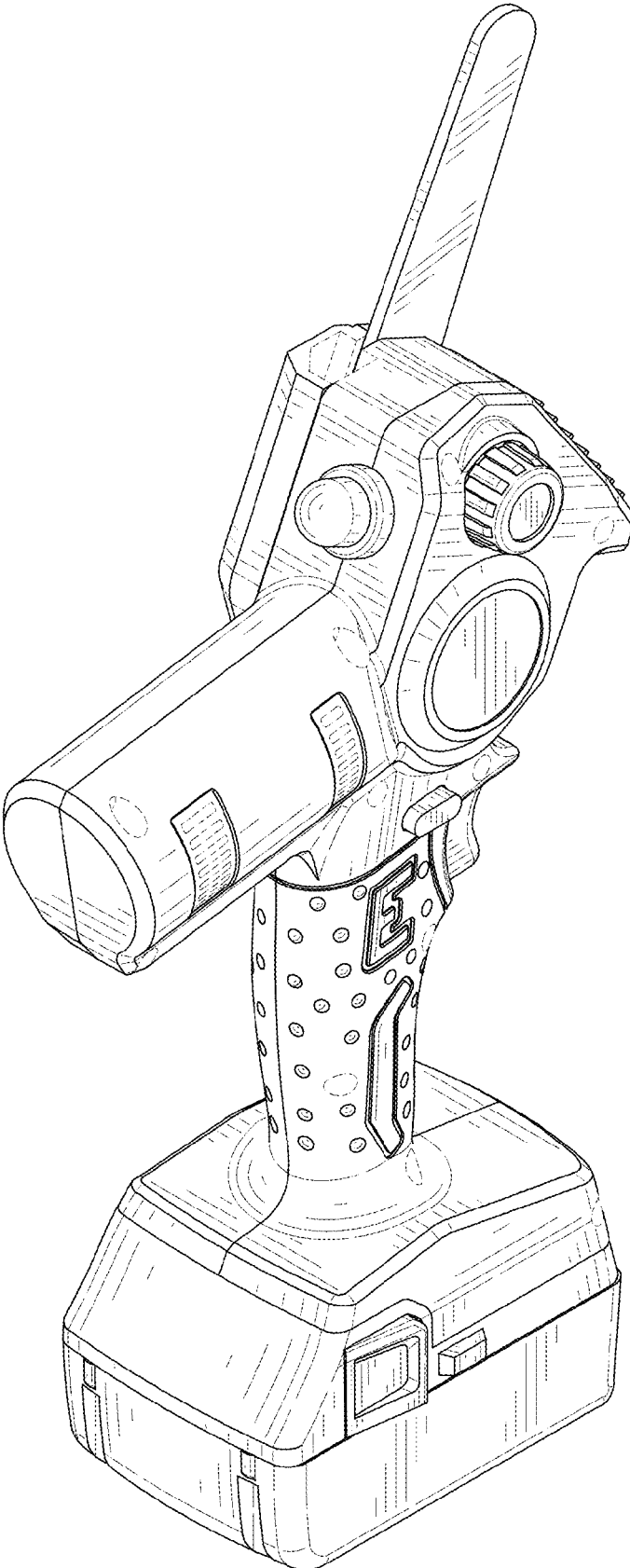


FIG. 1

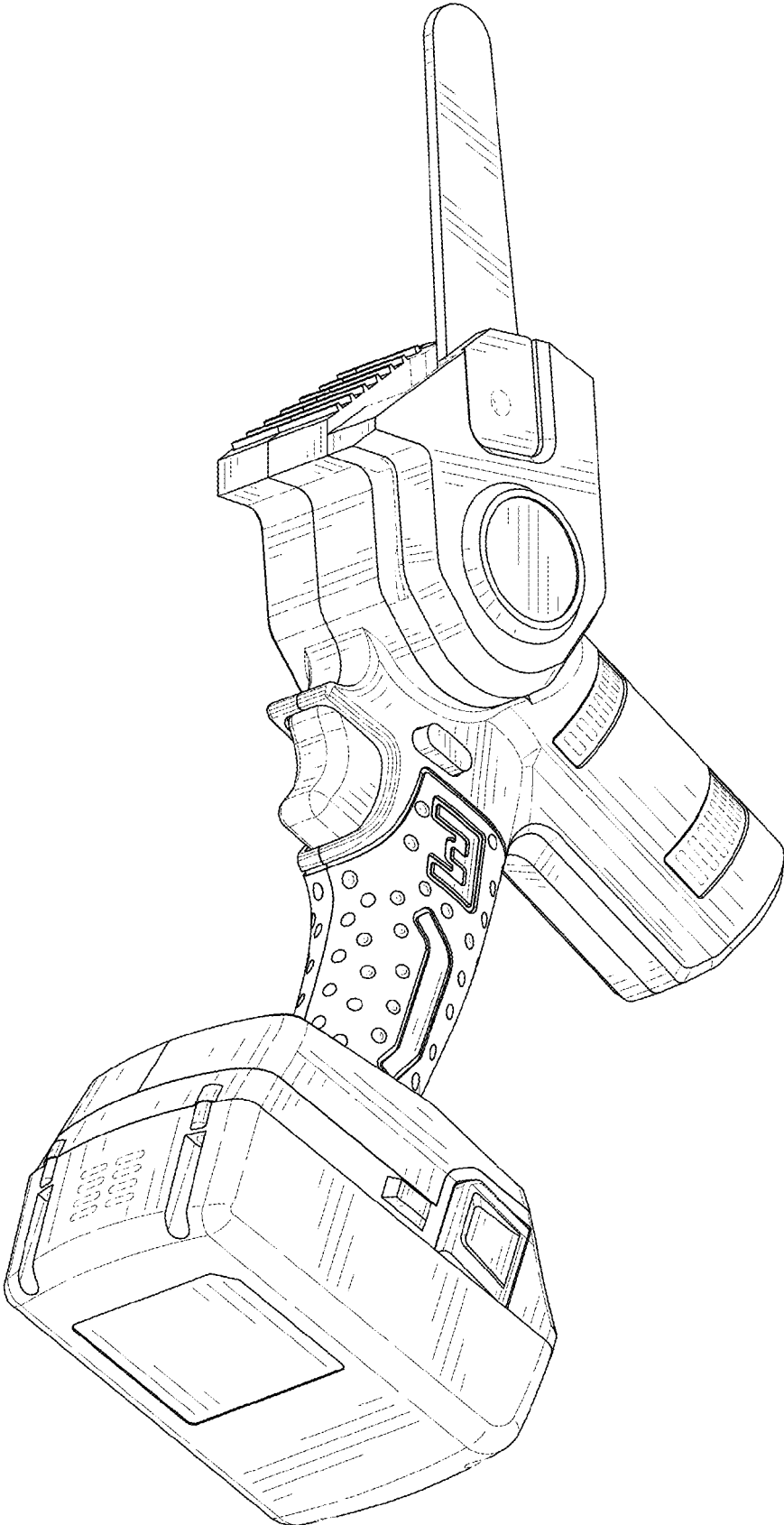


FIG. 2

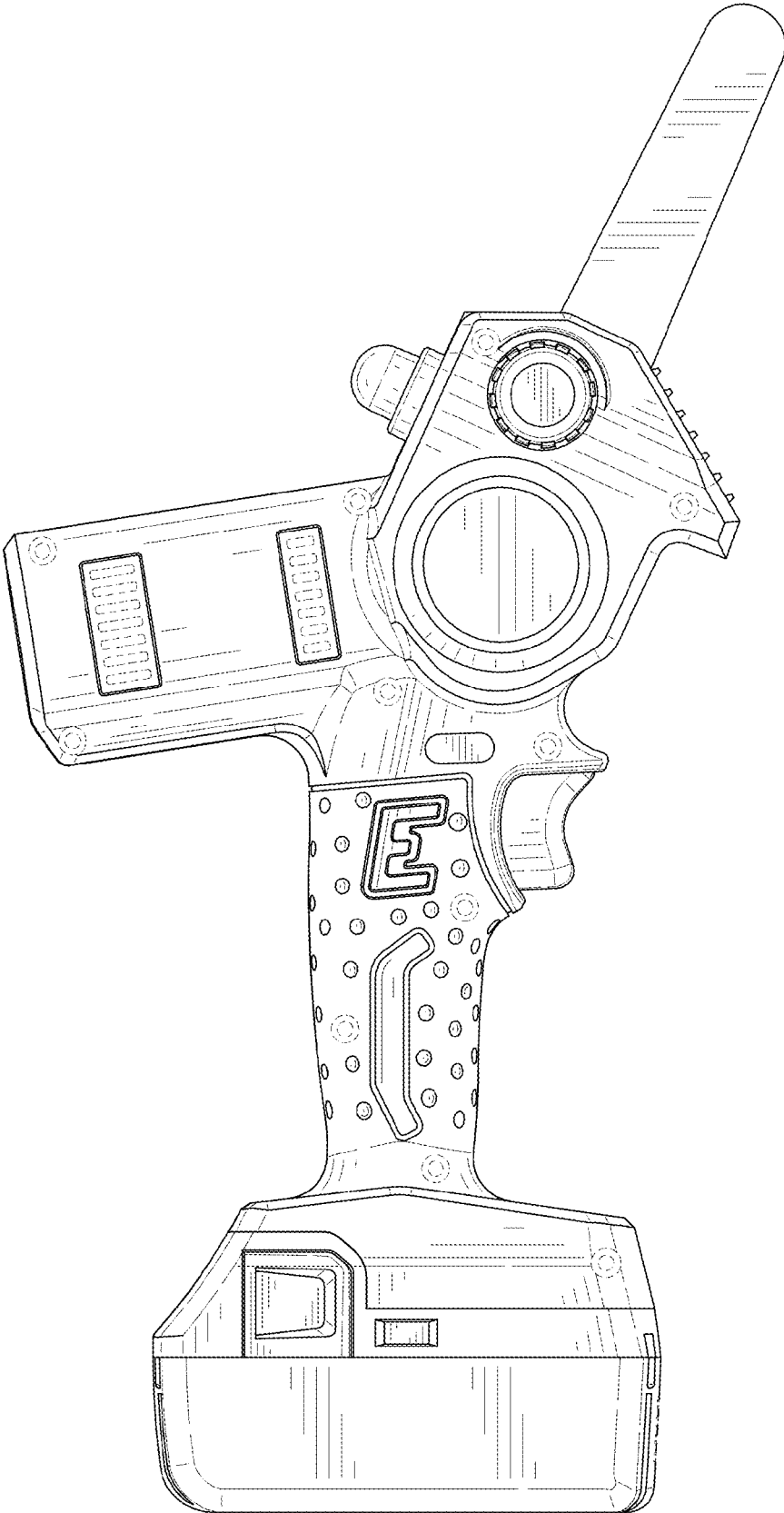


FIG. 3

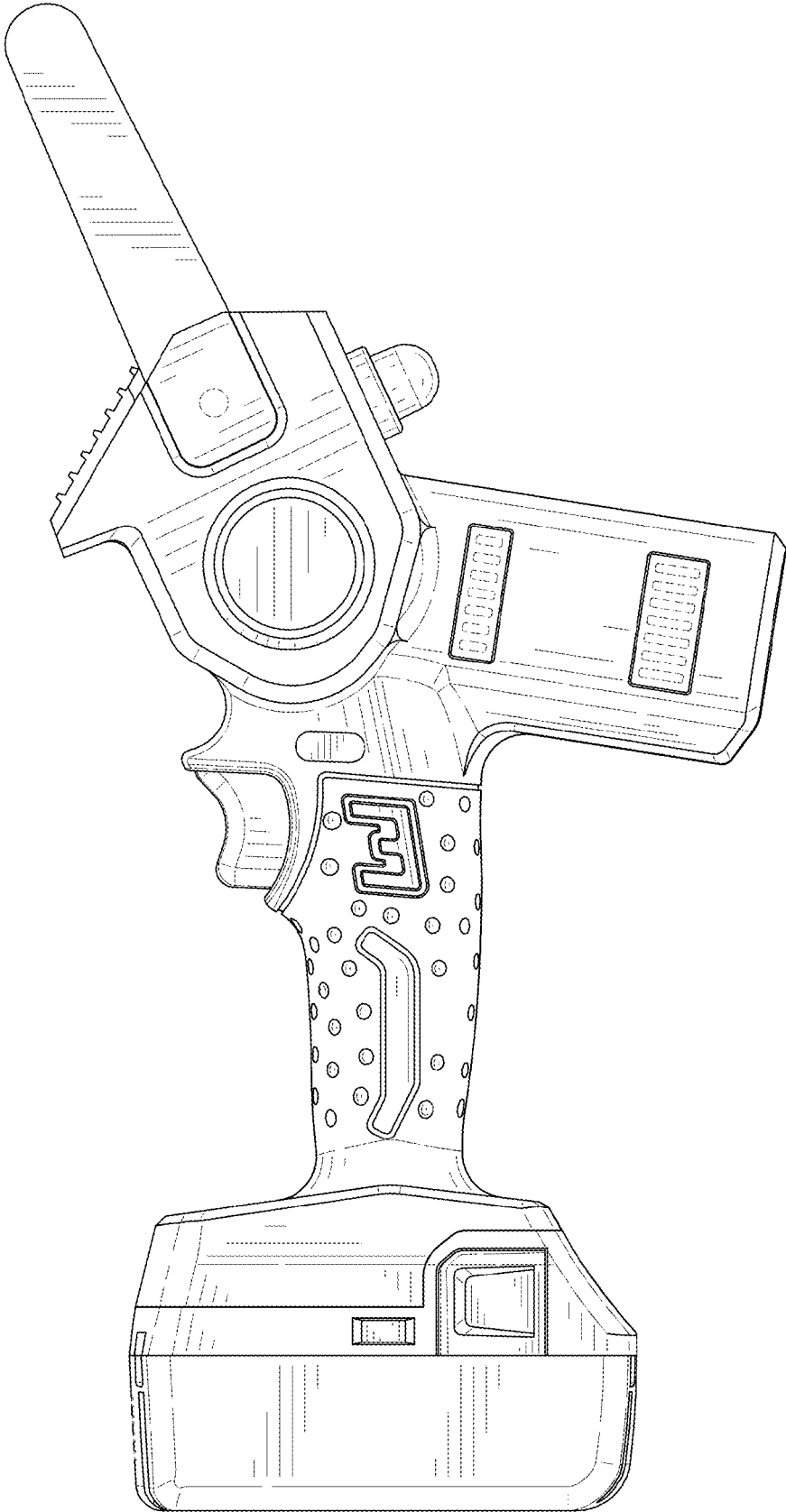


FIG. 4

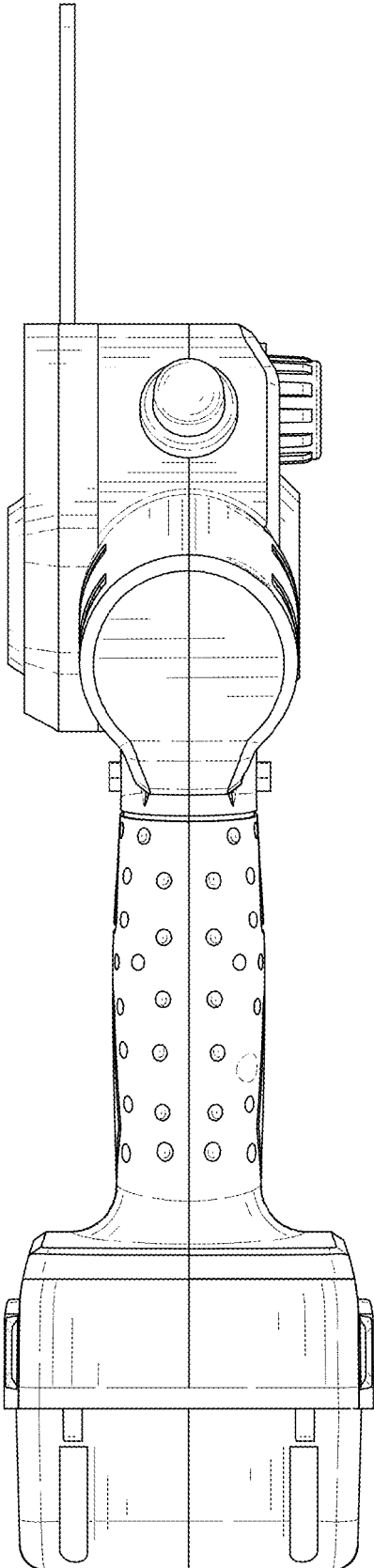


FIG. 5

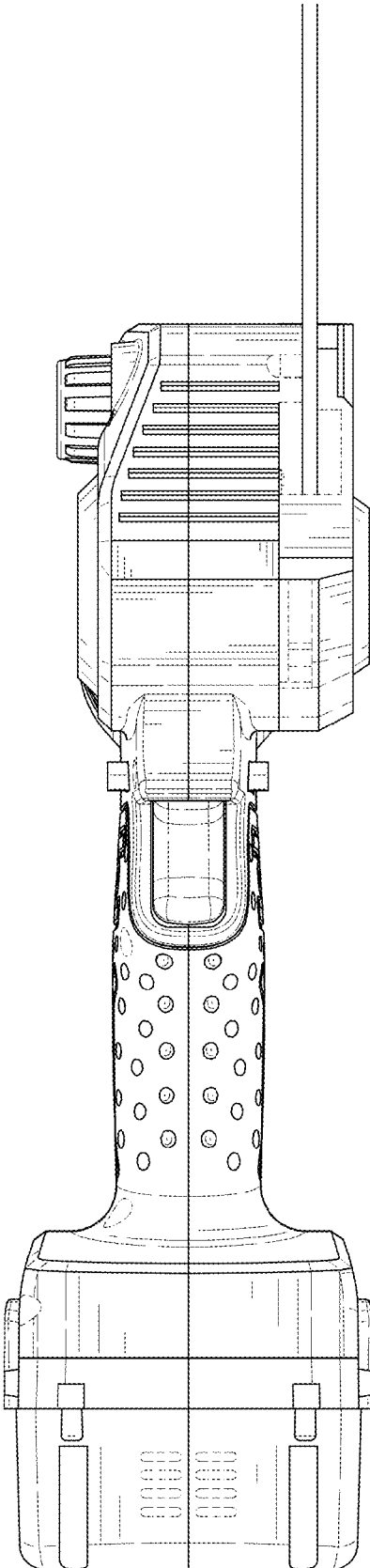


FIG. 6



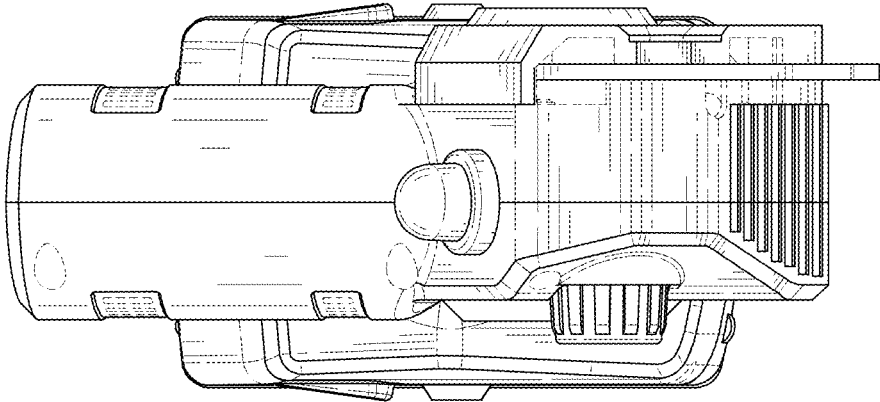


FIG. 7

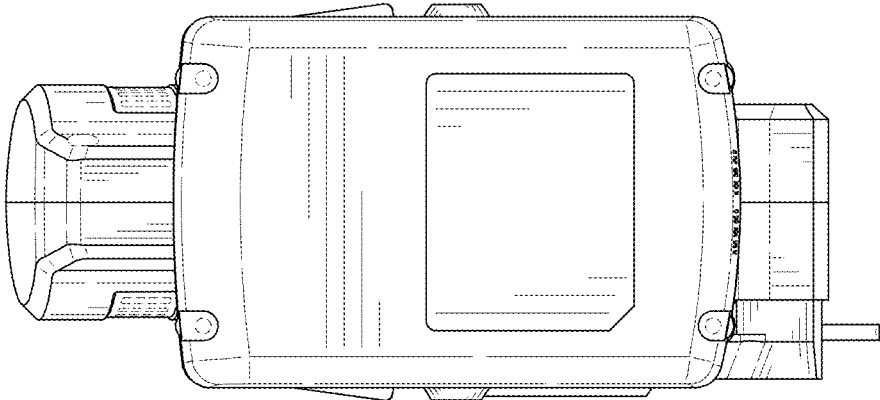


FIG. 8