



US00D837510S

(12) **United States Design Patent** (10) **Patent No.:** **US D837,510 S**
Vevers et al. (45) **Date of Patent:** **** Jan. 8, 2019**

(54) **HAND BAG** 9,375,061 B2 * 6/2016 Mosee A45C 1/02
D762,061 S * 7/2016 Serrano D3/243
(71) Applicant: **Coach IP Holdings, LLC**, New York, NY (US) D764,793 S * 8/2016 Dumas D3/243

* cited by examiner

(72) Inventors: **Stuart Vevers**, New York, NY (US);
Stacey Bearden, New York, NY (US);
Mary Helen Muldoon, New York, NY (US)
Primary Examiner — Holly H Baynham
(74) *Attorney, Agent, or Firm* — Honigman Miller
Schwartz and Cohn LLP

(73) Assignee: **Coach IP Holdings, LLC**, New York, NY (US)

(**) Term: **15 Years**

(57) **CLAIM**

(21) Appl. No.: **29/621,754**

The ornamental design for a hand bag, as shown and described.

(22) Filed: **Oct. 11, 2017**

Related U.S. Application Data

DESCRIPTION

(63) Continuation of application No. 29/568,535, filed on Jun. 20, 2016, now Pat. No. Des. 802,918.

(51) **LOC (11) CL.** **03-01**

FIG. 1 is an elevated perspective view of a hand bag, showing our new design;

(52) **U.S. CL.**
USPC **D3/243**

FIG. 2 is a top perspective thereof;

(58) **Field of Classification Search**
USPC D3/232–233, 240–243, 245–246
CPC A45C 1/024; A45C 3/06
See application file for complete search history.

FIG. 3 is a front view thereof;

FIG. 4 is a rear view thereof.

FIG. 5 is a top plan view thereof;

FIG. 6 is a bottom plan view thereof;

FIG. 7 is a right side view thereof; and,

FIG. 8 is a left side view thereof.

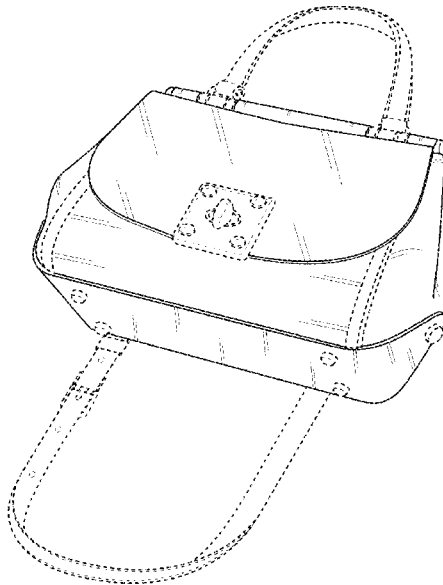
(56) **References Cited**

U.S. PATENT DOCUMENTS

The dashed lines in the drawings depict portions of the design that form no part of the claim.

2,784,756 A * 3/1957 Resnick A45C 3/06
150/103
D263,649 S * 4/1982 Schimmel D3/243
D447,336 S * 9/2001 Bergkvist D3/242
D756,632 S * 5/2016 Frisoni D3/243

1 Claim, 8 Drawing Sheets



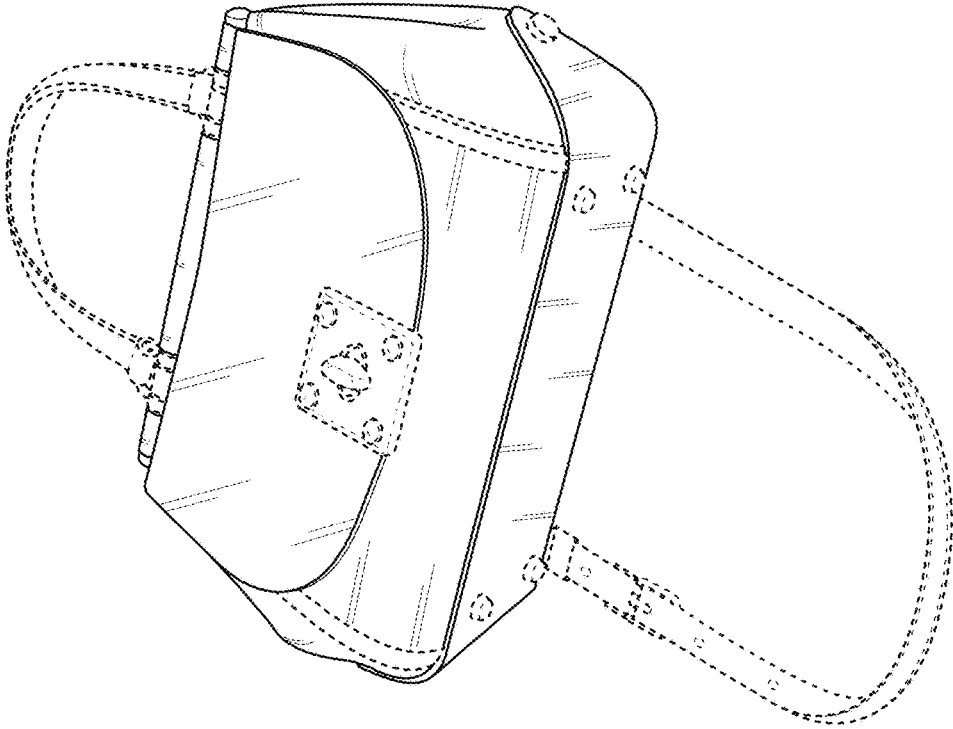


FIG. 1

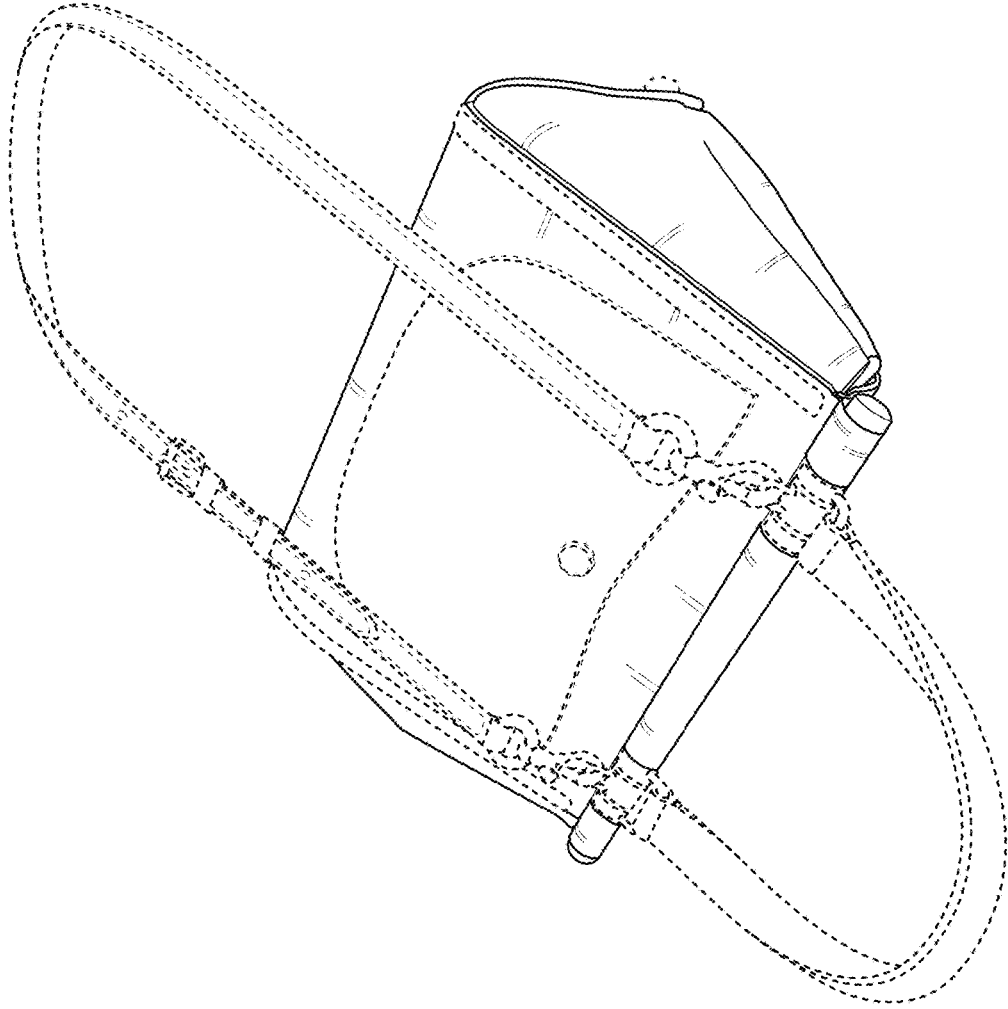


FIG. 2

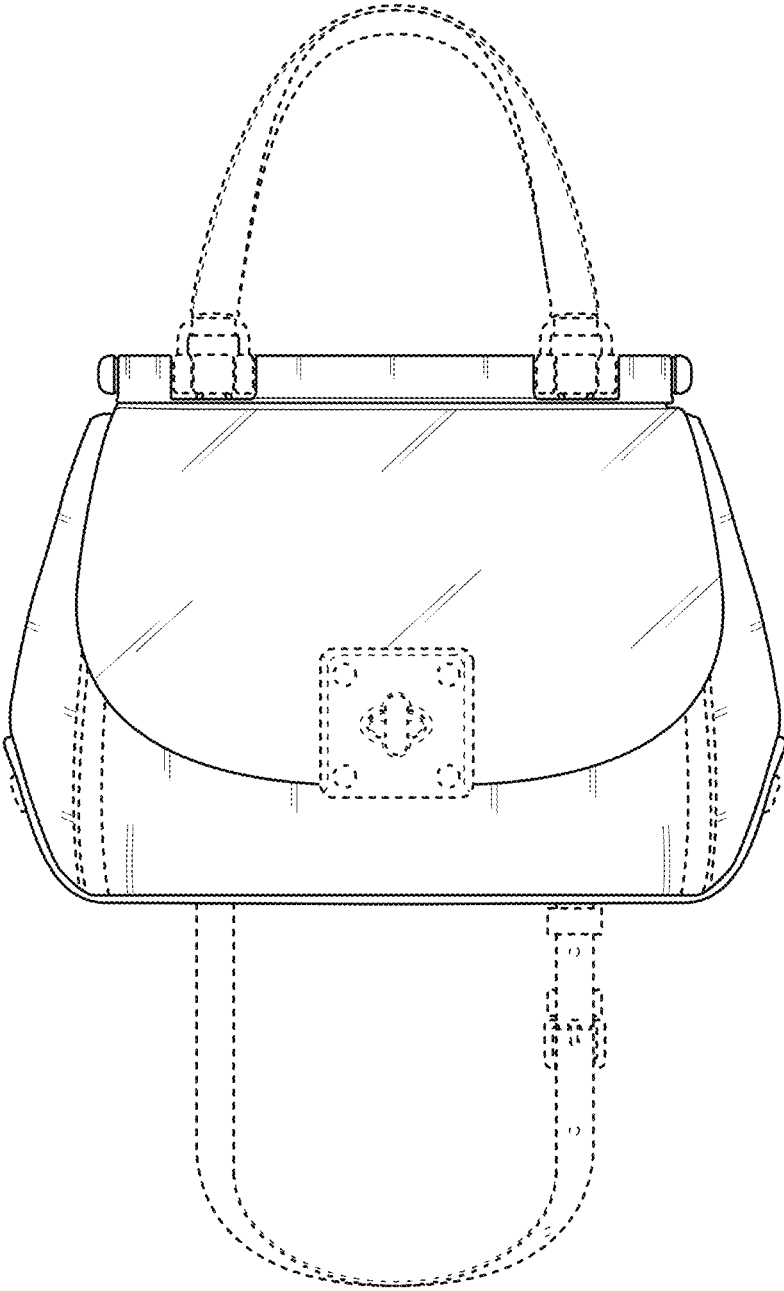


FIG. 3

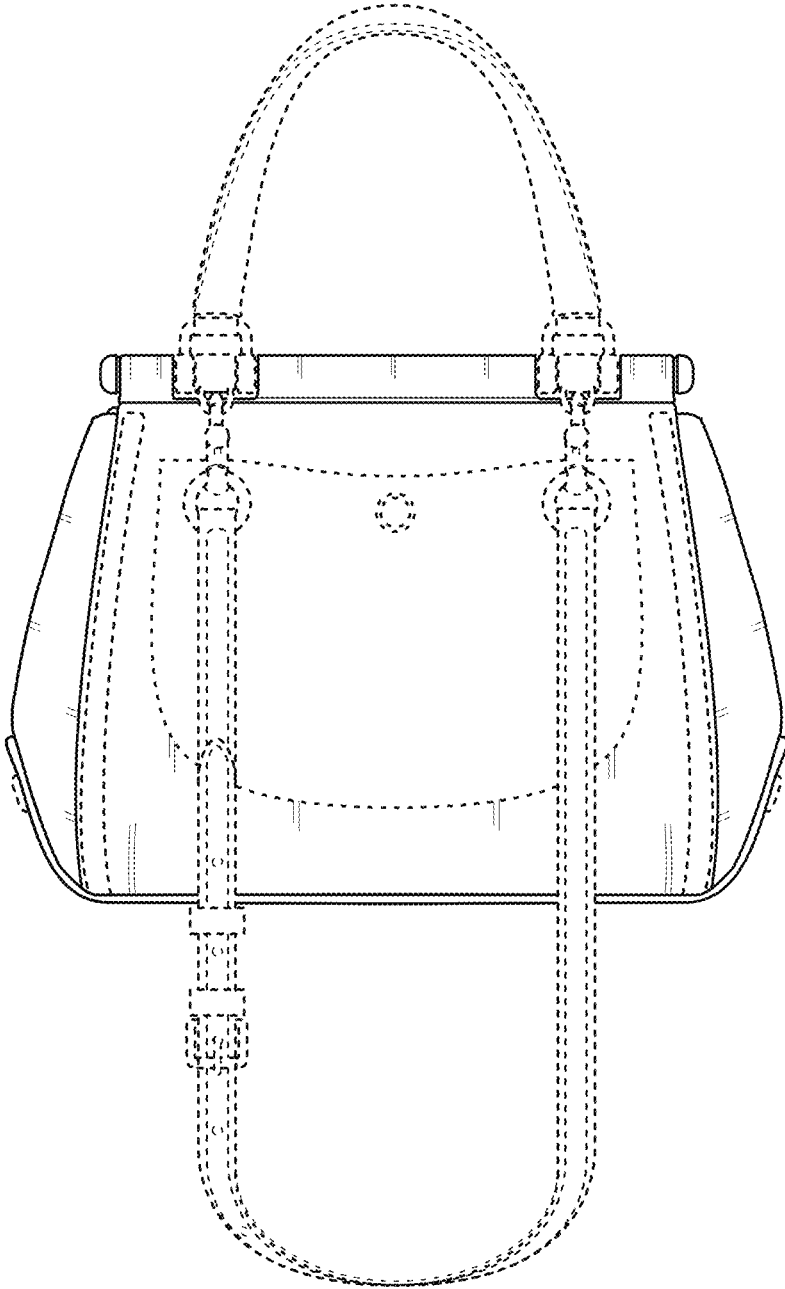


FIG. 4

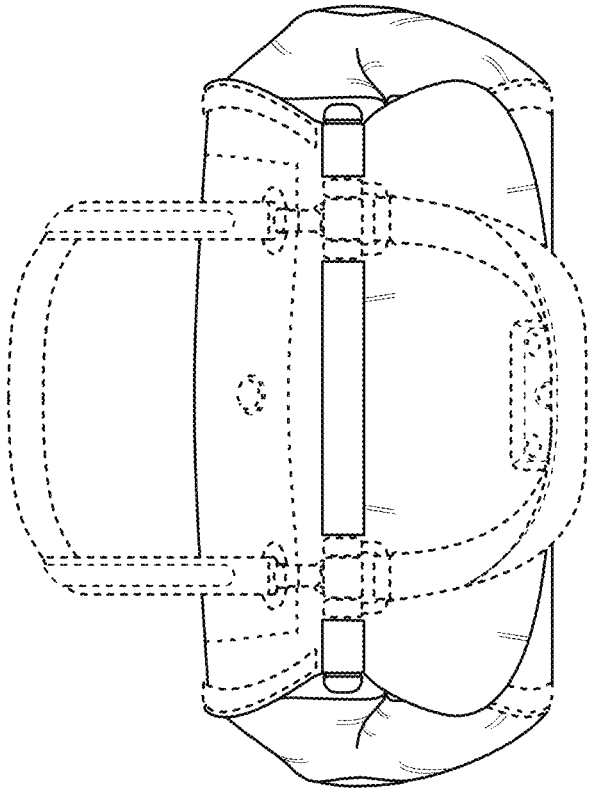


FIG. 5

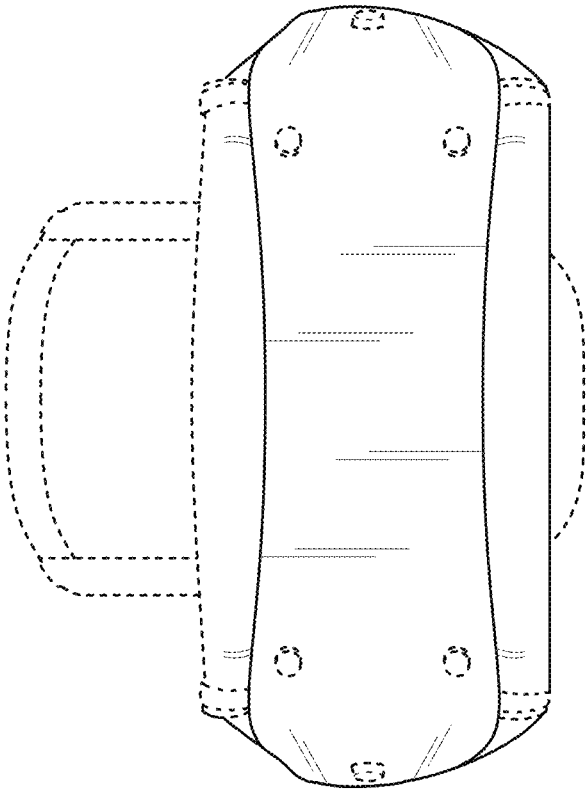


FIG. 6

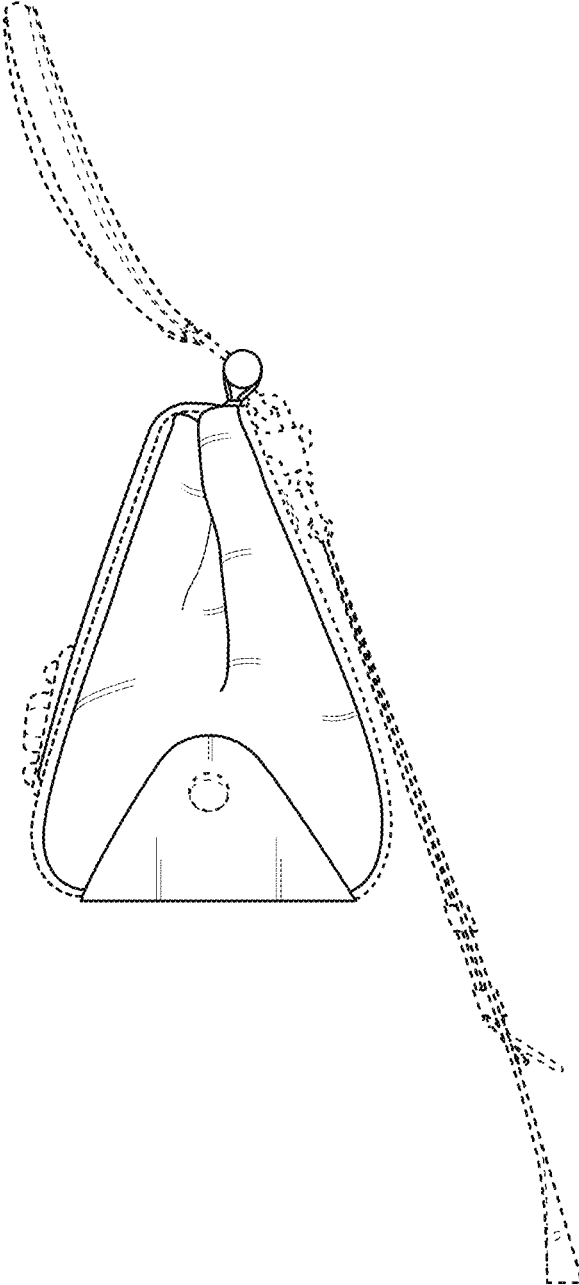


FIG. 7

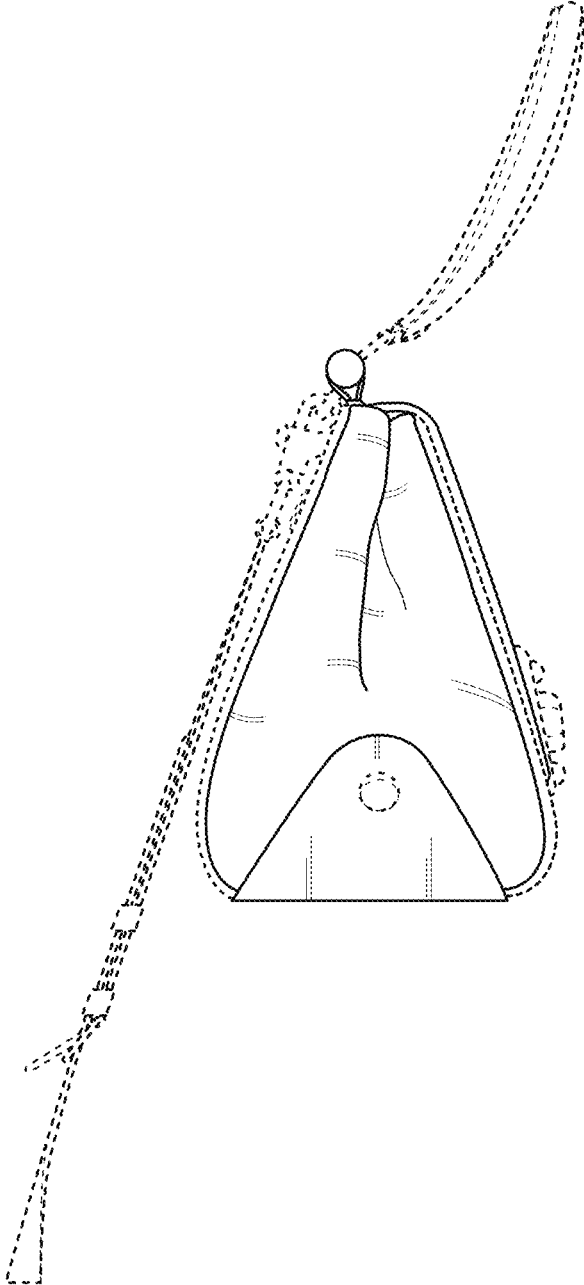


FIG. 8