

(19) World Intellectual Property Organization  
International Bureau



(43) International Publication Date  
13 September 2001 (13.09.2001)

PCT

(10) International Publication Number  
WO 01/65915 A3

(51) International Patent Classification<sup>7</sup>: A01D 34/416, 43/16

11820 Edgewater Drive, Lakewood, OR 44107-1793 (US).  
Timothy, Dilgard; 1204 Township Road 593, Ashland, OH 44805-9511 (US).

(21) International Application Number: PCT/US01/07553

(74) Agents: EMERSON, Roger, D. et al.; Emerson & Ske-riotis, One Cascade Plaza, Fourteenth Floor, Akron, OH 44308-1136 (US).

(22) International Filing Date: 9 March 2001 (09.03.2001)

(25) Filing Language: English

(81) Designated States (*national*): AE, AG, AL, AM, AT, AU, AZ, BA, BB, BG, BR, BY, BZ, CA, CH, CN, CR, CU, CZ, DE, DK, DM, DZ, EE, ES, FI, GB, GD, GE, GH, GM, HR, HU, ID, IL, IN, IS, JP, KE, KG, KP, KR, KZ, LC, LK, LR, LS, LT, LU, LV, MA, MD, MG, MK, MN, MW, MX, MZ, NO, NZ, PL, PT, RO, RU, SD, SE, SG, SI, SK, SL, TJ, TM, TR, TT, TZ, UA, UG, UZ, VN, YU, ZA, ZW.

(26) Publication Language: English

(30) Priority Data:  
60/188,045 9 March 2000 (09.03.2000) US

(71) Applicant: MTD PRODUCTS INC [US/US]; P.O. Box 368022, Cleveland, OH 44136-9722 (US).

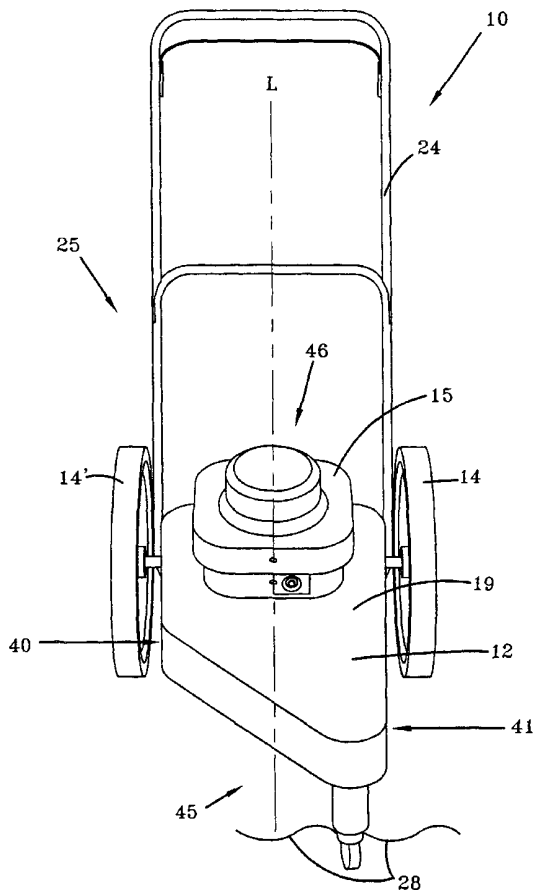
(84) Designated States (*regional*): ARIPO patent (GH, GM, KE, LS, MW, MZ, SD, SL, SZ, TZ, UG, ZW), Eurasian patent (AM, AZ, BY, KG, KZ, MD, RU, TJ, TM), European patent (AT, BE, CH, CY, DE, DK, ES, FI, FR, GB, GR, IE,

(72) Inventors: MARSIC, Martin, D.; 4800 Edsal Drive, Lyndhurst, OH 44124 (US). Dhananjay, Gangakhedkar;

[Continued on next page]

(54) Title: OFF-CENTER DECK FOR STRING TRIMMER

(57) Abstract: A string trimmer (10) is provided with a housing (12) that supports a cutting head (27). The cutting head includes filaments (28) that are attached thereto at one end for use in cutting associated vegetation. The cutting head is operatively rotated by power supplied from an engine (15). The cutting head is substantially laterally offset toward one side of the housing member and toward one end of the housing member.



WO 01/65915 A3



IT, LU, MC, NL, PT, SE, TR), OAPI patent (BF, BJ, CF, CG, CI, CM, GA, GN, GW, ML, MR, NE, SN, TD, TG).

**(88) Date of publication of the international search report:**  
14 February 2002

**Published:**

— with international search report

*For two-letter codes and other abbreviations, refer to the "Guidance Notes on Codes and Abbreviations" appearing at the beginning of each regular issue of the PCT Gazette.*

# INTERNATIONAL SEARCH REPORT

International Application No

PCT/US 01/07553

**A. CLASSIFICATION OF SUBJECT MATTER**  
 IPC 7 A01D34/416 A01D43/16

According to International Patent Classification (IPC) or to both national classification and IPC

**B. FIELDS SEARCHED**

Minimum documentation searched (classification system followed by classification symbols)

IPC 7 A01D A01G

Documentation searched other than minimum documentation to the extent that such documents are included in the fields searched

Electronic data base consulted during the international search (name of data base and, where practical, search terms used)

EPO-Internal, PAJ

**C. DOCUMENTS CONSIDERED TO BE RELEVANT**

Category	Citation of document, with indication, where appropriate, of the relevant passages	Relevant to claim No.
X	US 5 577 374 A (HUSTON THOMAS G) 26 November 1996 (1996-11-26) column 2, line 13 - line 21 column 2, line 56 - line 63	1,2, 10-12
Y	---	3-9
Y	US 5 313 770 A (SMOTHERS ODIS B) 24 May 1994 (1994-05-24) column 3, line 54 - line 65	3-9
A	---	
A	US 4 182 100 A (LETTER JOSEPH D) 8 January 1980 (1980-01-08)	
A	---	
A	GB 2 079 575 A (SCHEURING HEINZ) 27 January 1982 (1982-01-27)	
A	---	
A	DE 296 09 457 U (HERRLINGER MATTHIAS) 26 September 1996 (1996-09-26)	
	---	
	-/--	

Further documents are listed in the continuation of box C.

Patent family members are listed in annex.

° Special categories of cited documents :

- \*A\* document defining the general state of the art which is not considered to be of particular relevance
- \*E\* earlier document but published on or after the international filing date
- \*L\* document which may throw doubts on priority claim(s) or which is cited to establish the publication date of another citation or other special reason (as specified)
- \*O\* document referring to an oral disclosure, use, exhibition or other means
- \*P\* document published prior to the international filing date but later than the priority date claimed

- \*T\* later document published after the international filing date or priority date and not in conflict with the application but cited to understand the principle or theory underlying the invention
- \*X\* document of particular relevance; the claimed invention cannot be considered novel or cannot be considered to involve an inventive step when the document is taken alone
- \*Y\* document of particular relevance; the claimed invention cannot be considered to involve an inventive step when the document is combined with one or more other such documents, such combination being obvious to a person skilled in the art.
- \*Z\* document member of the same patent family

Date of the actual completion of the international search

26 September 2001

Date of mailing of the international search report

05/10/2001

Name and mailing address of the ISA

European Patent Office, P.B. 5818 Patentlaan 2  
 NL - 2280 HV Rijswijk  
 Tel. (+31-70) 340-2040, Tx. 31 651 epo nl,  
 Fax: (+31-70) 340-3016

Authorized officer

De Lameillieure, D

# INTERNATIONAL SEARCH REPORT

International Application No

PCT/US 01/07553

## C.(Continuation) DOCUMENTS CONSIDERED TO BE RELEVANT

Category *	Citation of document, with indication, where appropriate, of the relevant passages	Relevant to claim No.
A	DE 297 12 138 U (HAEHNLE VOLKER DIPL WIRTSCH IN) 9 October 1997 (1997-10-09) -----	

# INTERNATIONAL SEARCH REPORT

Information on patent family members

International Application No

PCT/US 01/07553

Patent document cited in search report	Publication date	Publication date	Patent family member(s)	Publication date
US 5577374	A	26-11-1996	NONE	
US 5313770	A	24-05-1994	NONE	
US 4182100	A	08-01-1980	NONE	
GB 2079575	A	27-01-1982	DE 3124230 A1 FR 2486355 A1	25-03-1982 15-01-1982
DE 29609457	U	26-09-1996	DE 29609457 U1	26-09-1996
DE 29712138	U	09-10-1997	DE 29712138 U1	09-10-1997