



US00D649533S

(12) **United States Design Patent**  
**Lee et al.**

(10) **Patent No.:** **US D649,533 S**

(45) **Date of Patent:** **\*\* Nov. 29, 2011**

(54) **EARPIECE FOR HEADPHONES**

(75) Inventors: **Noel Lee**, Las Vegas, NV (US); **Jacky Hsiung**, San Jose, CA (US)

(73) Assignee: **Monster Cable Products, Inc.**,  
Brisbane, CA (US)

(\*\*) Term: **14 Years**

(21) Appl. No.: **29/369,250**

(22) Filed: **Sep. 3, 2010**

(51) **LOC (9) Cl.** ..... **14-01**

(52) **U.S. Cl.** ..... **D14/223**

(58) **Field of Classification Search** ..... D14/205,  
D14/206, 223; 181/129, 130, 135; 128/865,  
128/866, 867; 70/34, 38 R; 379/430, 431;  
381/380, 381, 374; 455/90.3, 575.1, 575.2

See application file for complete search history.

(56) **References Cited**

**U.S. PATENT DOCUMENTS**

1,587,643	A *	6/1926	Harman	181/135
3,431,370	A *	3/1969	Crosby	181/131
3,539,032	A *	11/1970	Scanlon	181/135
4,381,830	A *	5/1983	Jelonek et al.	181/129
4,724,922	A *	2/1988	Kalayjian	181/135
4,977,976	A *	12/1990	Major	181/130
5,475,449	A *	12/1995	Pyle	351/123
5,753,870	A *	5/1998	Schlaegel et al.	181/129
6,396,935	B1 *	5/2002	Makkonen	381/334
D480,073	S *	9/2003	Jensen et al.	D14/240
6,769,277	B1 *	8/2004	Chang	70/52
D518,816	S *	4/2006	Naito et al.	D14/205
D529,021	S *	9/2006	Jensen et al.	D14/223
7,120,268	B2 *	10/2006	Murozaki et al.	381/381
D553,613	S *	10/2007	Sade et al.	D14/223

D566,693	S *	4/2008	Jensen et al.	D14/223
D579,924	S *	11/2008	Sade et al.	D14/223
D582,899	S *	12/2008	Wai	D14/223
D585,431	S *	1/2009	Bradford et al.	D14/223
D585,878	S *	2/2009	Jung	D14/223
D594,441	S	6/2009	Lee et al.	
D595,698	S *	7/2009	Guccione et al.	D14/223
D598,901	S	8/2009	Lee et al.	
D599,781	S	9/2009	Lee et al.	
D600,675	S	9/2009	Lee et al.	
D601,126	S *	9/2009	Christopher et al.	D14/206
7,778,410	B2 *	8/2010	Liu et al.	379/430
D626,536	S *	11/2010	Birger	D14/223
D635,559	S *	4/2011	Rye et al.	D14/223
7,920,902	B2 *	4/2011	Carroll	455/569.1

\* cited by examiner

*Primary Examiner* — Paula Greene

(74) *Attorney, Agent, or Firm* — LaRiviere, Grubman & Payne, LLP

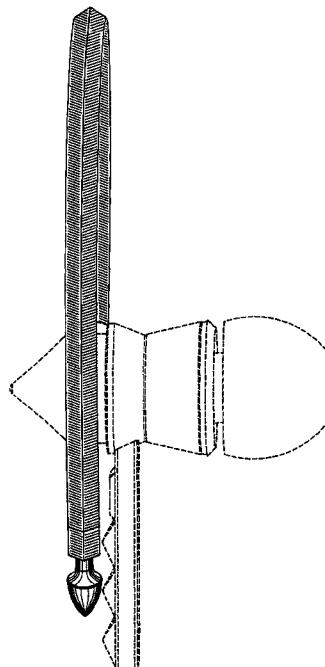
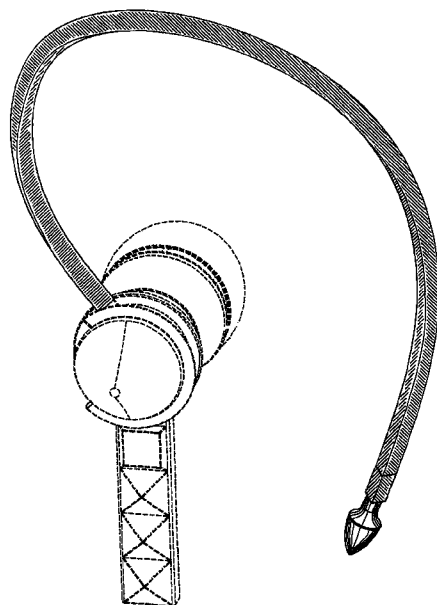
(57) **CLAIM**

The ornamental design for an earpiece for headphones, as shown and described.

**DESCRIPTION**

FIG. 1 is a perspective view of an earpiece for headphones, showing our design;  
FIG. 2 is a front view thereof;  
FIG. 3 is a rear view thereof;  
FIG. 4 is a side view thereof;  
FIG. 5 is an opposing side view thereof;  
FIG. 6 is a top view thereof; and,  
FIG. 7 is a bottom view thereof.  
The broken lines showing the environment are for illustrative purposes only and form no part of the claimed design.

**1 Claim, 5 Drawing Sheets**



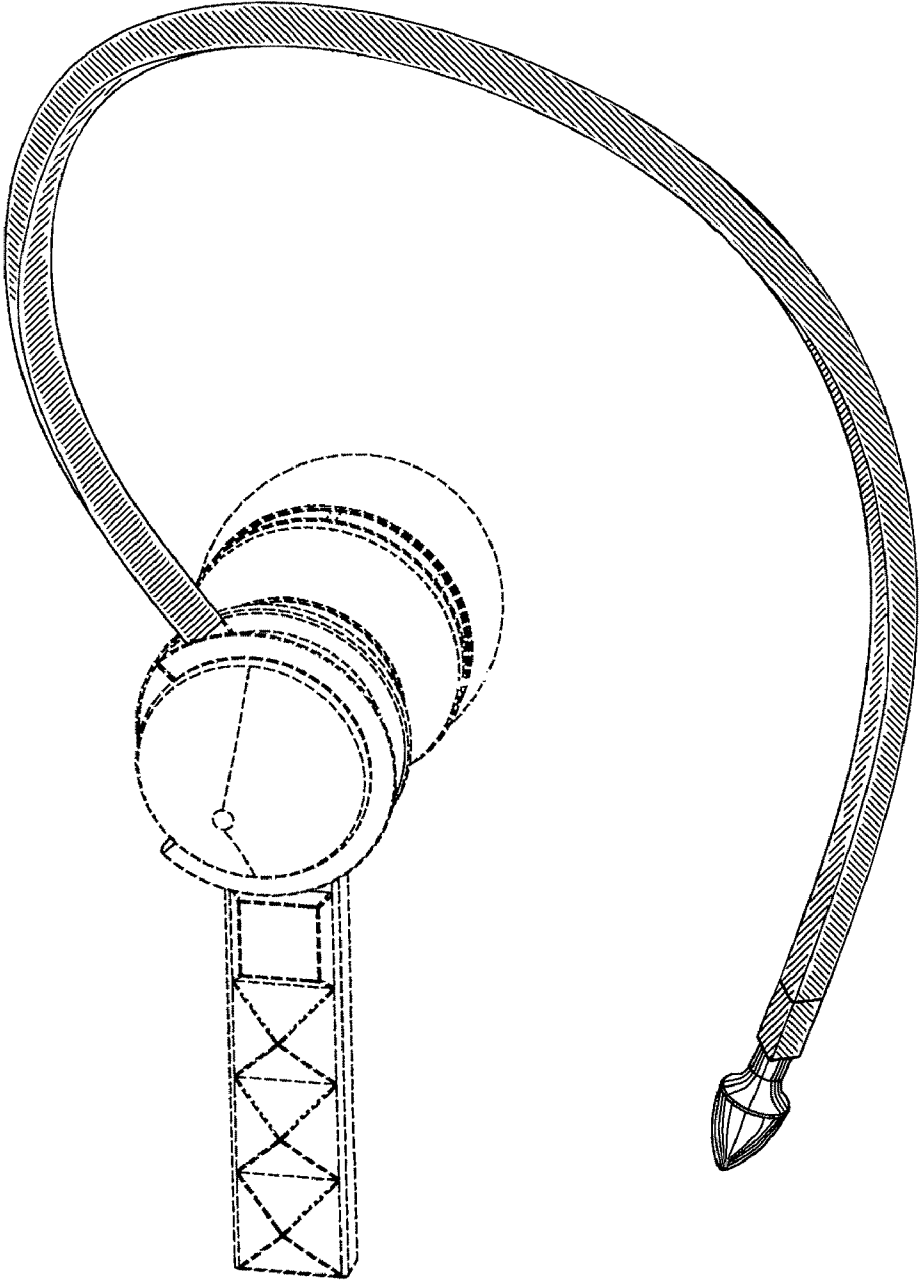


Figure 1

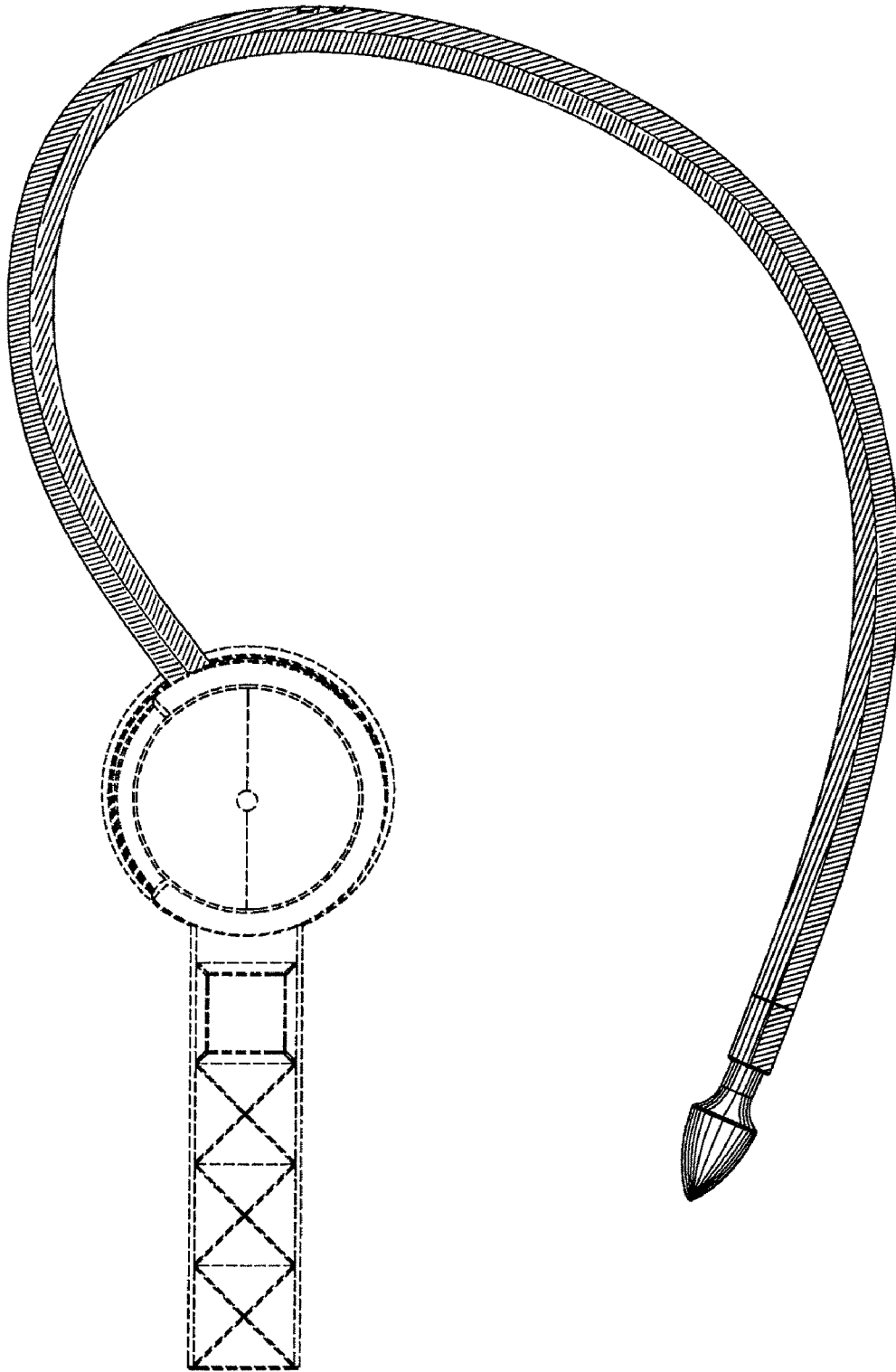


Figure 2

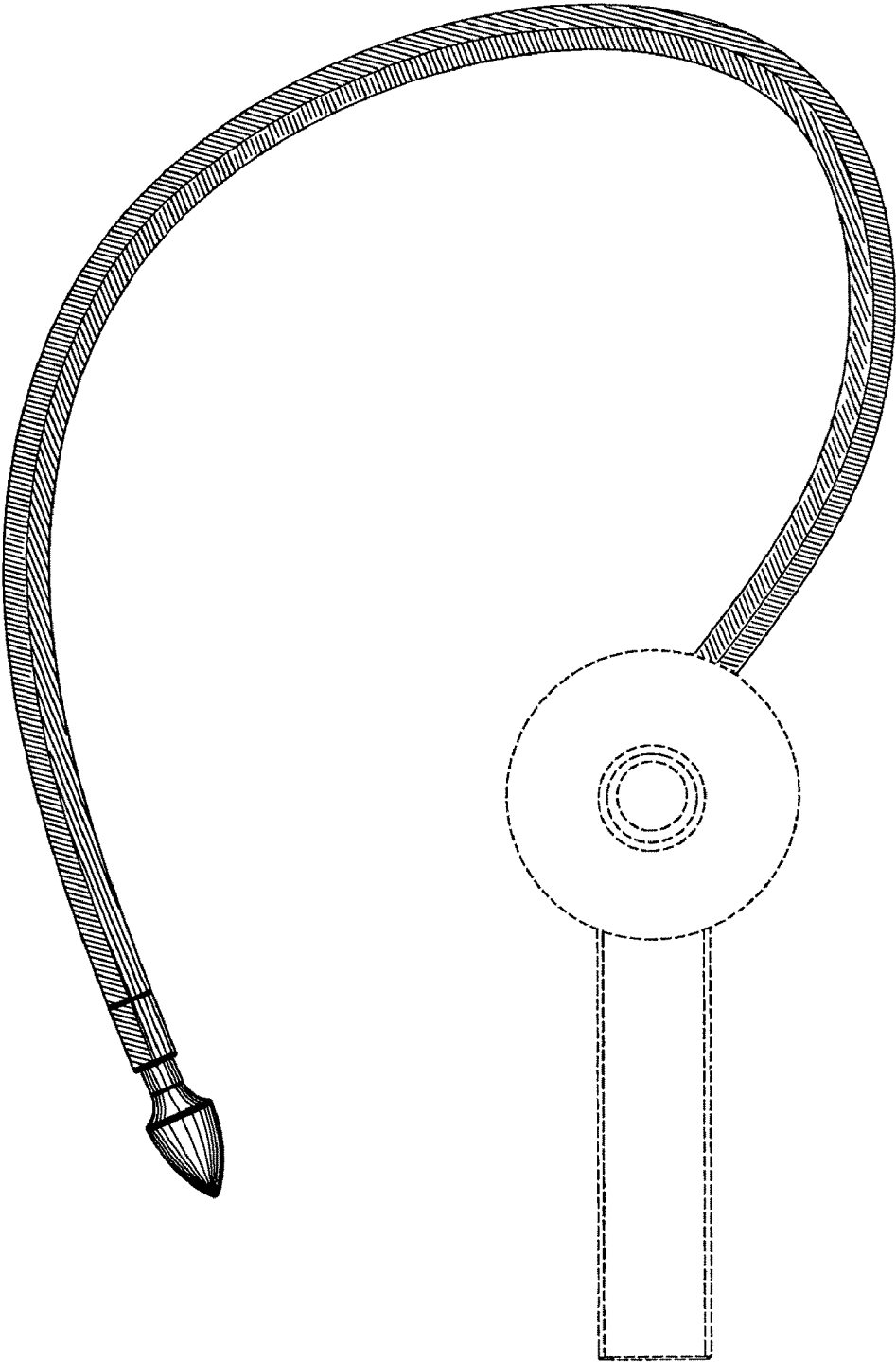


Figure 3

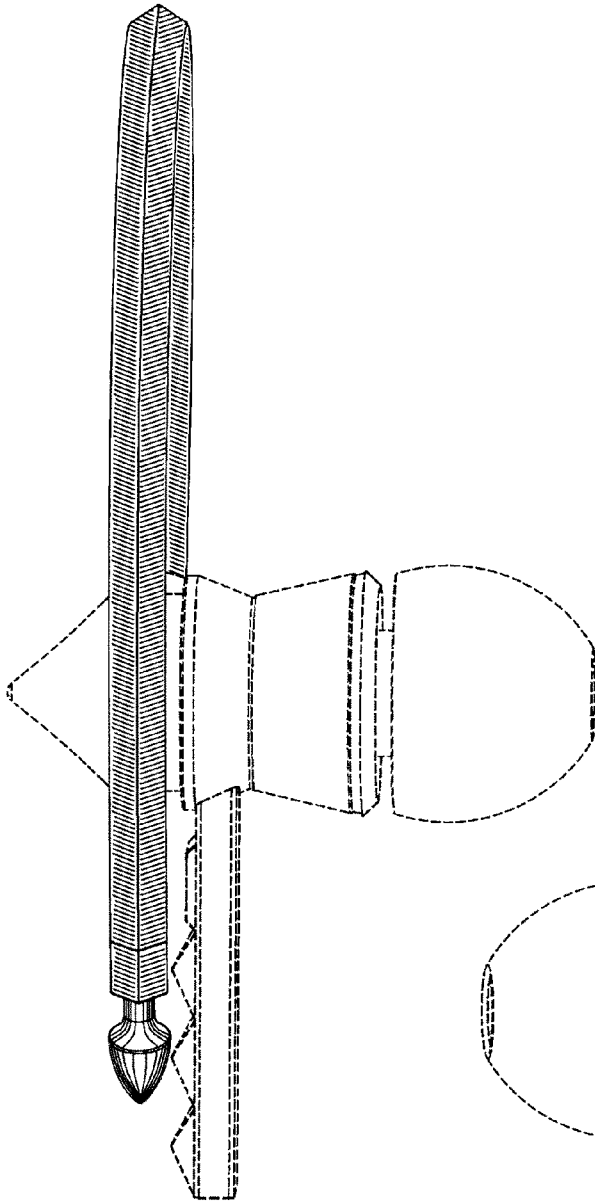


Figure 4

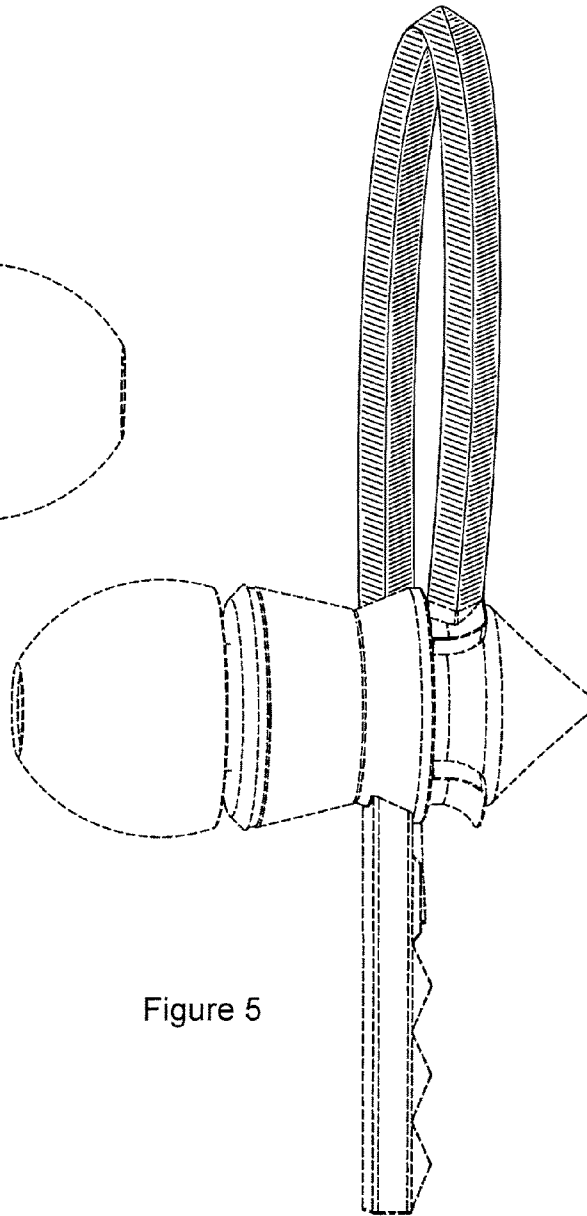


Figure 5

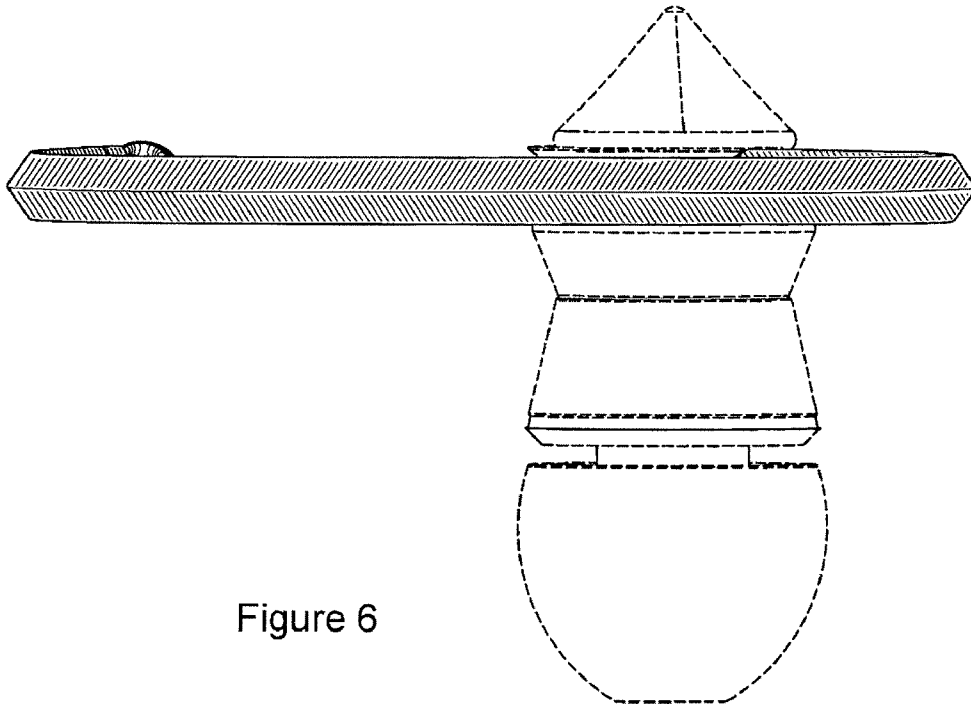


Figure 6

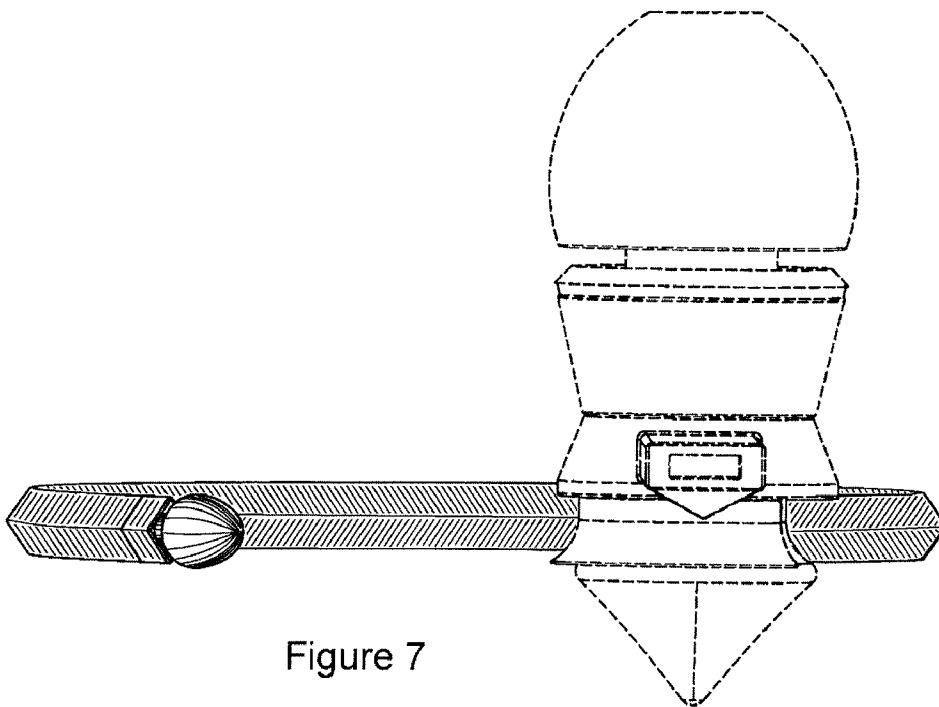


Figure 7