



US00D876524S

(12) **United States Design Patent**  
**Yoshimura**

(10) **Patent No.:** **US D876,524 S**

(45) **Date of Patent:** **\*\* Feb. 25, 2020**

(54) **VIDEO PROJECTOR**

FOREIGN PATENT DOCUMENTS

(71) Applicant: **JVC KENWOOD Corporation**,  
Yokohama-shi, Kanagawa (JP)

CN	304066366	*	9/2016
CN	305109916	*	11/2018
CN	305182697	*	11/2018
JP	D1567359	*	8/2016

(72) Inventor: **Satoshi Yoshimura**, Yokohama (JP)

(73) Assignee: **JVC KENWOOD Corporation**,  
Yokohama-shi (JP)

OTHER PUBLICATIONS

(\*\*) Term: **15 Years**

Seeger, Dylan, "JVC DLA-RS2000 Projector Reviewed," Mar. 18, 2019. Retrieved on Oct. 16, 2019. Retrieved from the Internet: <https://hometheaterreview.com>.\*

(21) Appl. No.: **29/670,796**

\* cited by examiner

(22) Filed: **Nov. 20, 2018**

*Primary Examiner* — Wan Laymon

(30) **Foreign Application Priority Data**

May 24, 2018 (JP) ..... 2018-011350

(74) *Attorney, Agent, or Firm* — Amin, Turocy & Watson, LLP

(51) **LOC (12) Cl.** ..... **16-02**

(52) **U.S. Cl.**  
USPC ..... **D16/230**

(57) **CLAIM**

The ornamental design for a video projector, as shown and described.

(58) **Field of Classification Search**  
USPC ..... D16/221, 225, 230-231; D21/514;  
363/115, 119

CPC ..... G03B 21/145; G03B 21/14; G03B 21/00;  
G03B 21/001; G03B 21/003; G03B  
21/12; G03B 21/16

See application file for complete search history.

**DESCRIPTION**

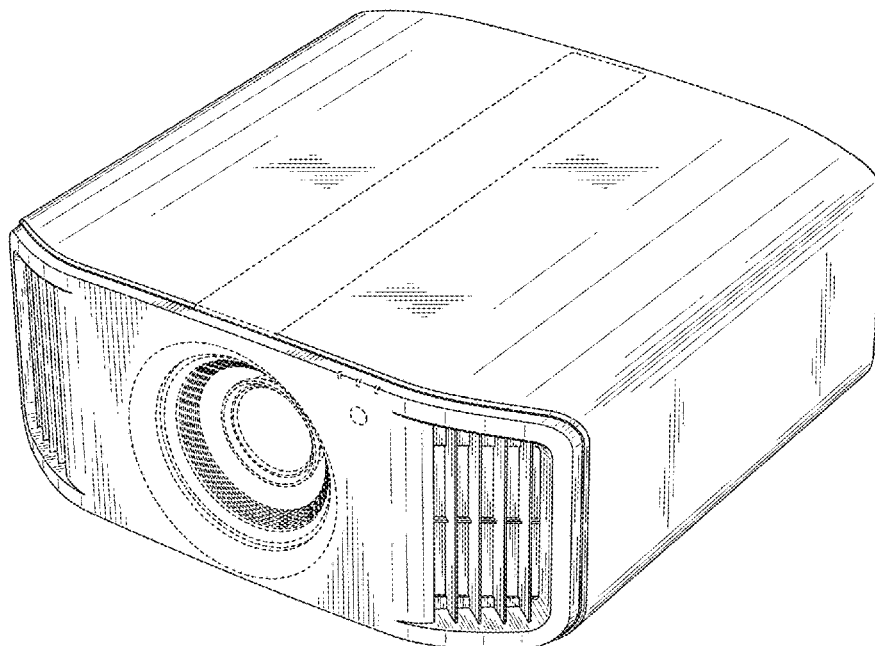
FIG. 1 is a front perspective view of a video projector showing my new design;  
FIG. 2 is a rear perspective view thereof;  
FIG. 3 is a front elevational view thereof;  
FIG. 4 is a rear elevational view thereof;  
FIG. 5 is a top plan view thereof;  
FIG. 6 is a bottom plan view thereof;  
FIG. 7 is a right-side elevational view thereof; and,  
FIG. 8 is a left-side elevational view thereof.  
The broken lines of the drawings represent portions of the video projector that are not part of the claimed design.

(56) **References Cited**

U.S. PATENT DOCUMENTS

D548,263	S	*	8/2007	Nakanishi	.....	D16/221
D596,656	S	*	7/2009	Nakanishi	.....	D16/225
7,850,309	B2	*	12/2010	Hirouchi	.....	G03B 21/145 353/52
D655,329	S	*	3/2012	Nakanishi	.....	D16/225
D806,776	S	*	1/2018	Yoshimura	.....	D16/230

**1 Claim, 8 Drawing Sheets**



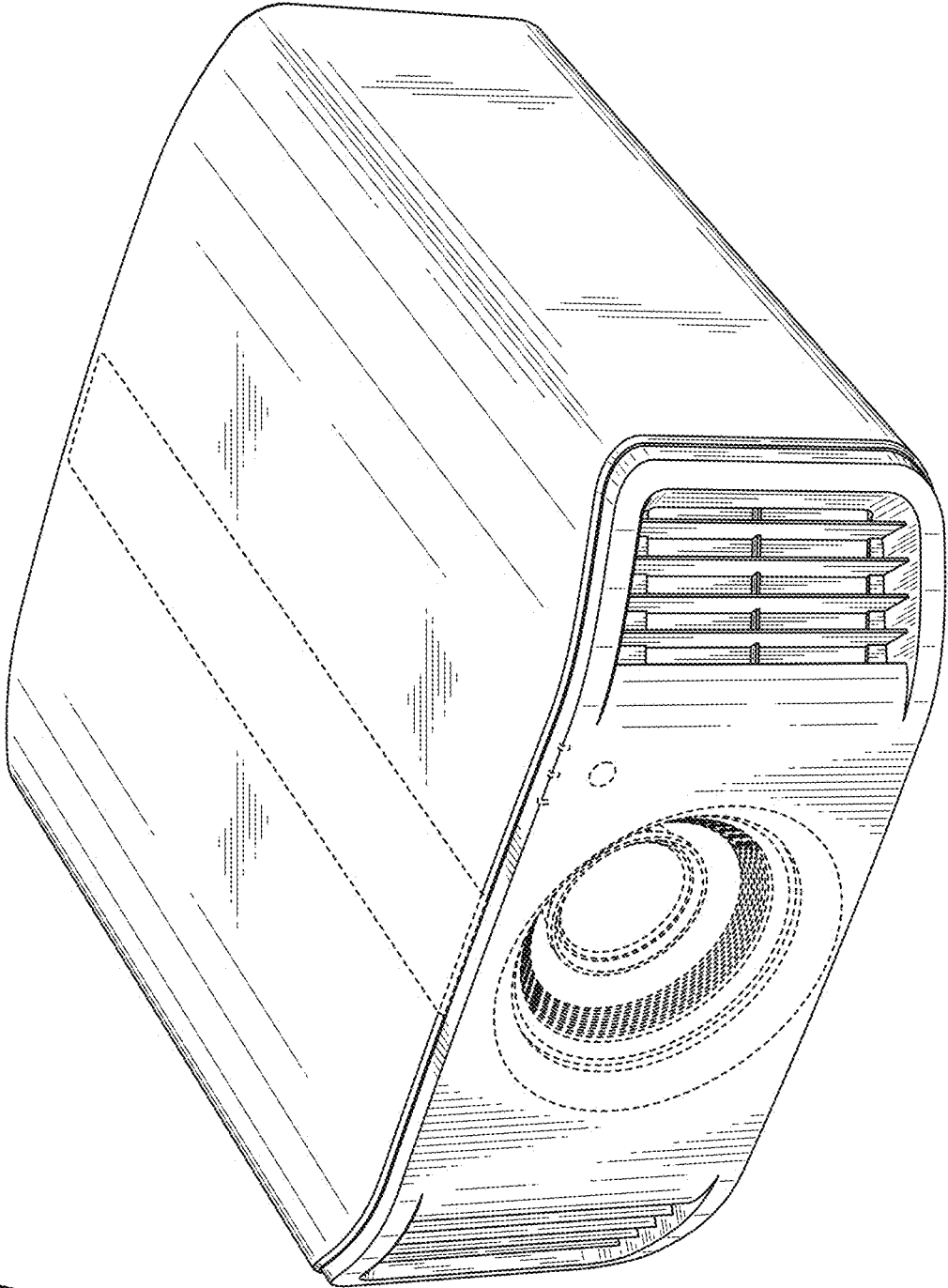


FIG. 1

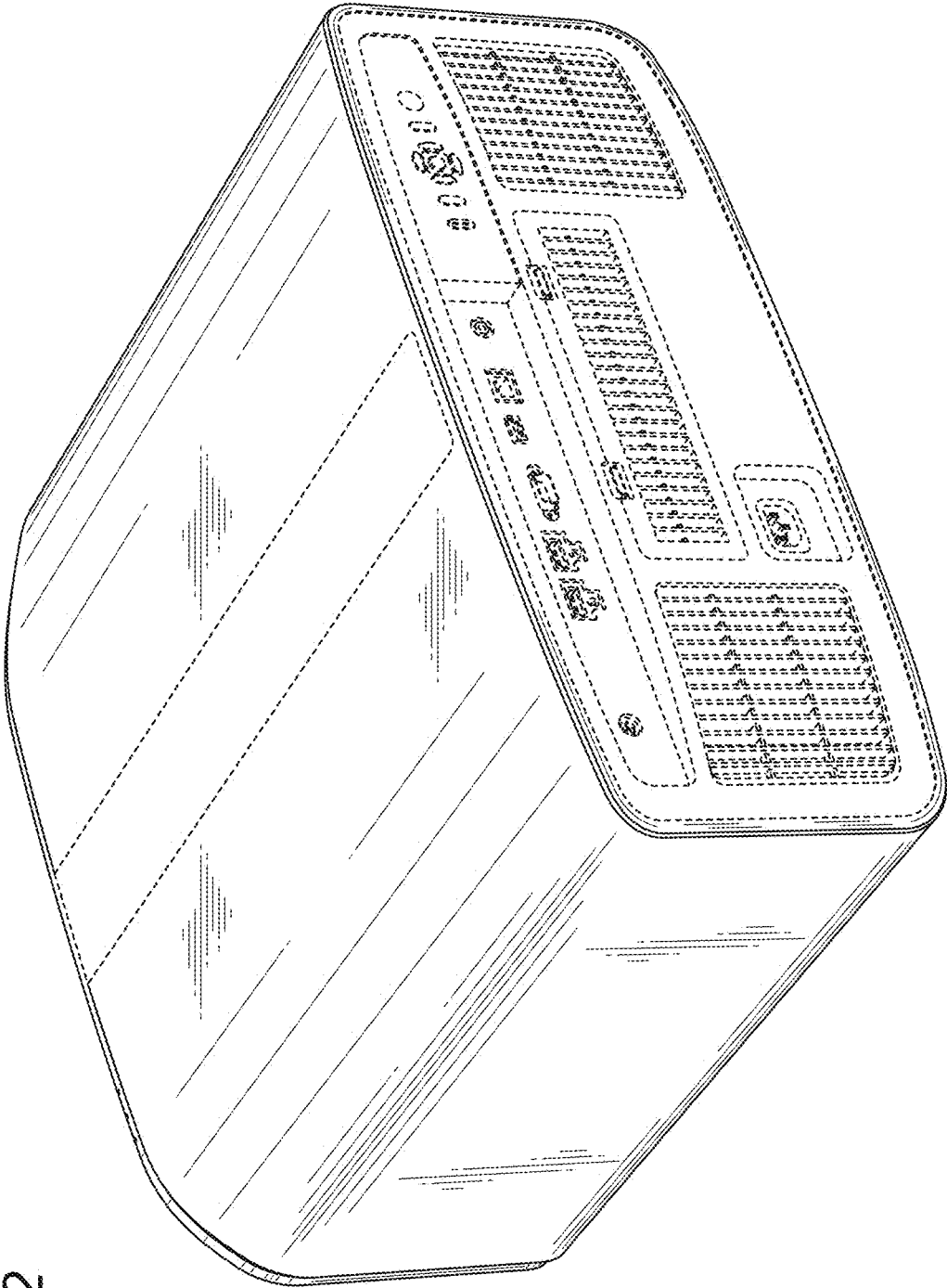


FIG. 2

FIG. 3

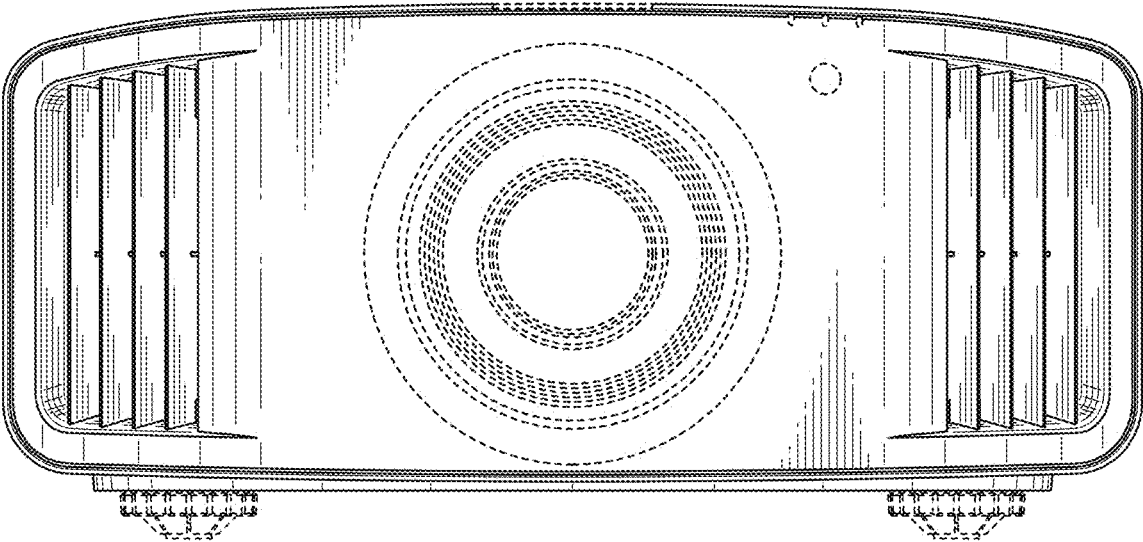


FIG. 4

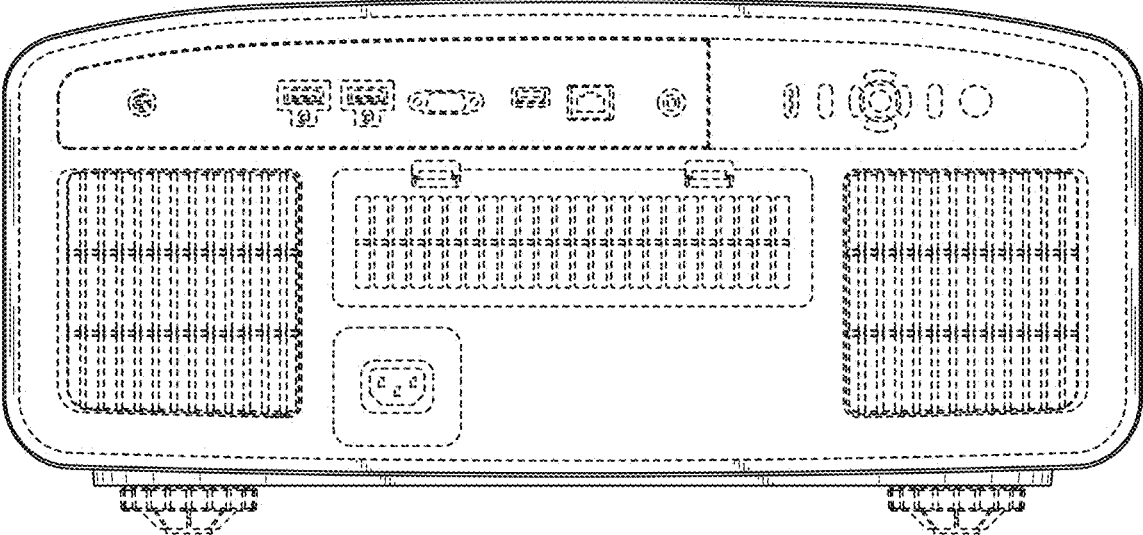


FIG. 5

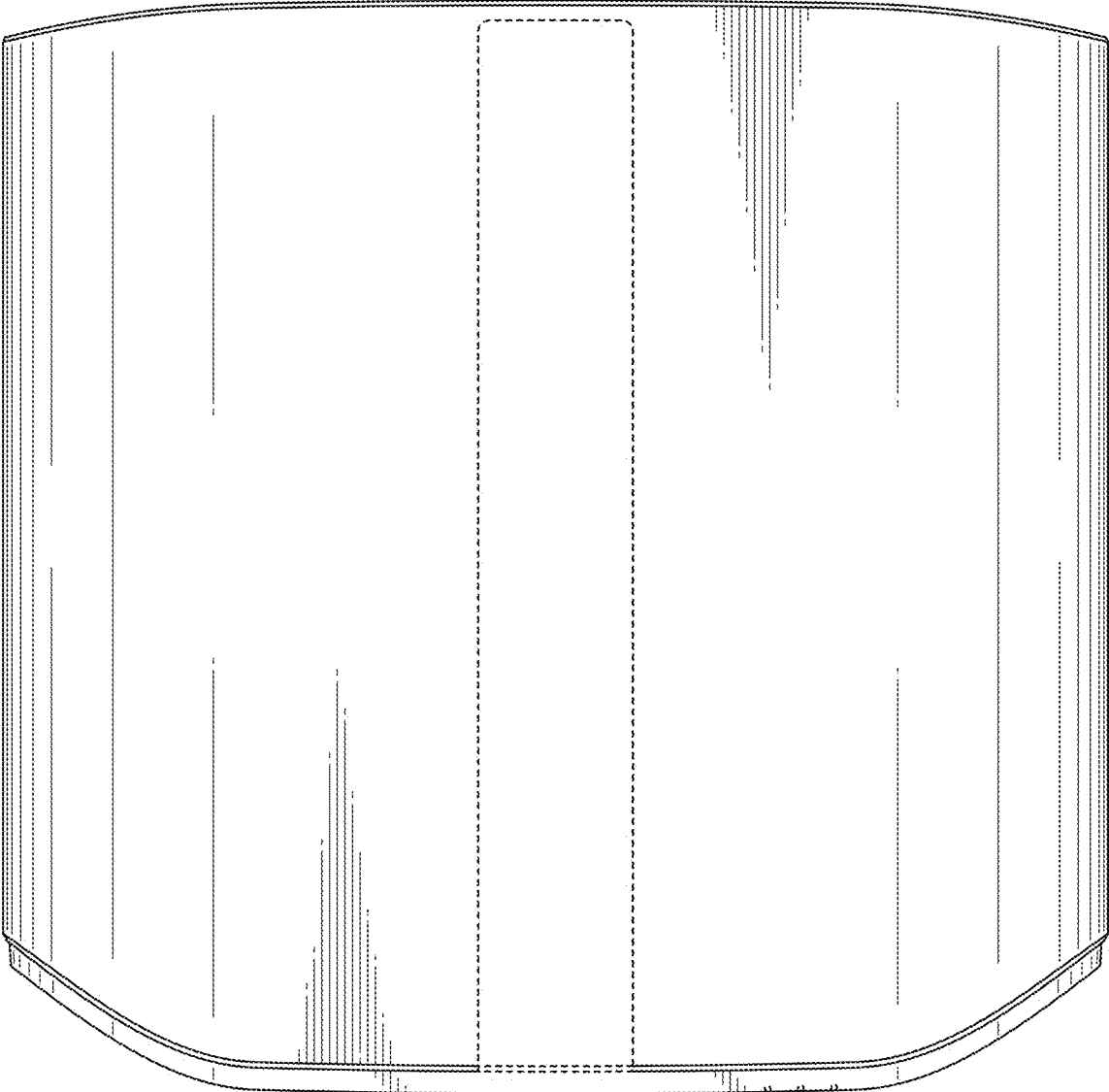


FIG. 6

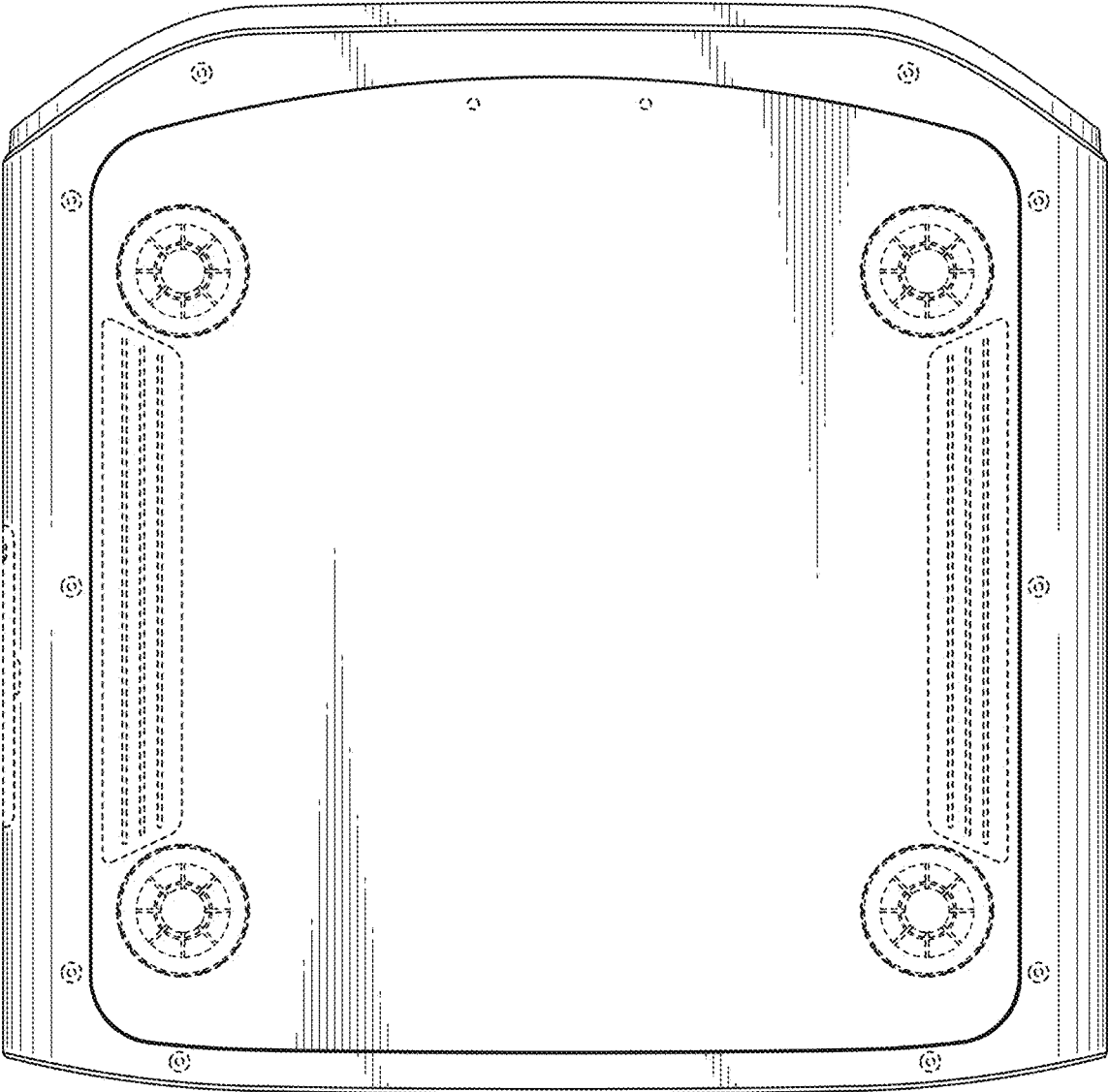


FIG. 7

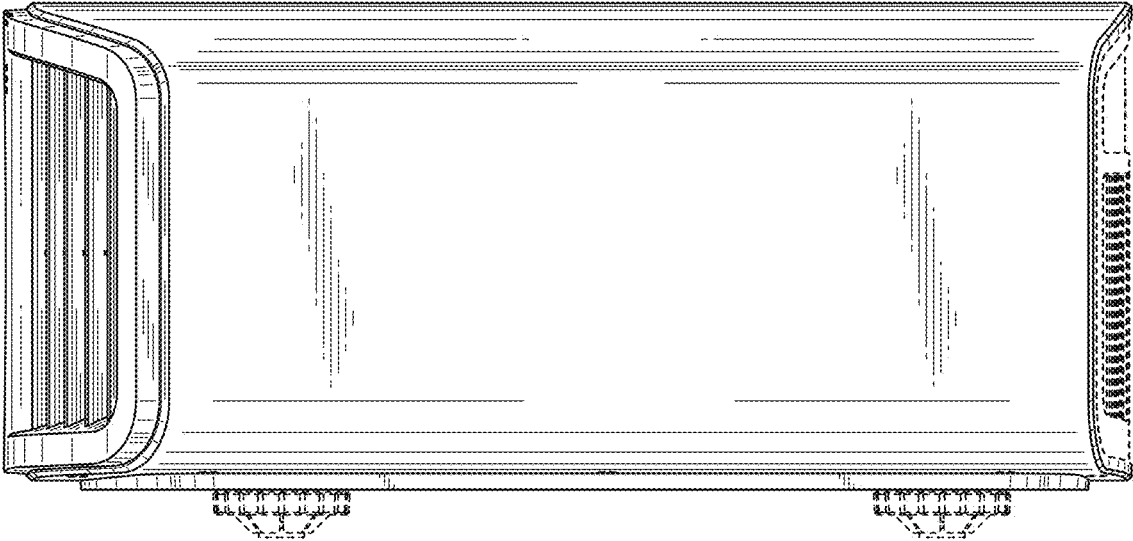




FIG. 8

