

(19) World Intellectual Property Organization
International Bureau



(43) International Publication Date
17 March 2005 (17.03.2005)

PCT

(10) International Publication Number
WO 2005/023390 A3

(51) International Patent Classification:
B01D 37/02 (2006.01)

(21) International Application Number:
PCT/US2004/013070

(22) International Filing Date: 28 April 2004 (28.04.2004)

(25) Filing Language: English

(26) Publication Language: English

(30) Priority Data:
60/466,160 28 April 2003 (28.04.2003) US
60/542,409 5 February 2004 (05.02.2004) US

(71) Applicant (for all designated States except US): INNOVATIVE CONSTRUCTION AND BUILDING MATERIALS [US/US]; 5764 Shellmound Street, Emeryville, CA 94608 (US).

(72) Inventors; and

(75) Inventors/Applicants (for US only): SOANE, David, S. [US/US]; 109 King Avenue, Piedmont, CA 94610 (US). TAGGE, Christopher, D. [US/US]; 731 Chestnut Street #109, San Carlos, CA 94070 (US).

(74) Agents: PARADIES, Christopher et al.; Fowler White Boggs Banker P.A., 501 E. Kennedy Blvd., Suite 1900, Tampa, FL 33602 (US).

(81) Designated States (unless otherwise indicated, for every kind of national protection available): AE, AG, AL, AM, AT, AU, AZ, BA, BB, BG, BR, BW, BY, BZ, CA, CH, CN, CO, CR, CU, CZ, DE, DK, DM, DZ, EC, EE, EG, ES, FI, GB, GD, GE, GH, GM, HR, HU, ID, IL, IN, IS, JP, KE, KG, KP, KR, KZ, LC, LK, LR, LS, LT, LU, LV, MA, MD, MG, MK, MN, MW, MX, MZ, NA, NI, NO, NZ, OM, PG, PH, PL, PT, RO, RU, SC, SD, SE, SG, SK, SL, SY, TJ, TM, TN, TR, TT, TZ, UA, UG, US, UZ, VC, VN, YU, ZA, ZM, ZW.

(84) Designated States (unless otherwise indicated, for every kind of regional protection available): ARIPO (BW, GH, GM, KE, LS, MW, MZ, NA, SD, SL, SZ, TZ, UG, ZM, ZW), Eurasian (AM, AZ, BY, KG, KZ, MD, RU, TJ, TM), European (AT, BE, BG, CH, CY, CZ, DE, DK, EE, ES, FI, FR, GB, GR, HU, IE, IT, LU, MC, NL, PL, PT, RO, SE, SI, SK, TR), OAPI (BF, BJ, CF, CG, CI, CM, GA, GN, GQ, GW, ML, MR, NE, SN, TD, TG).

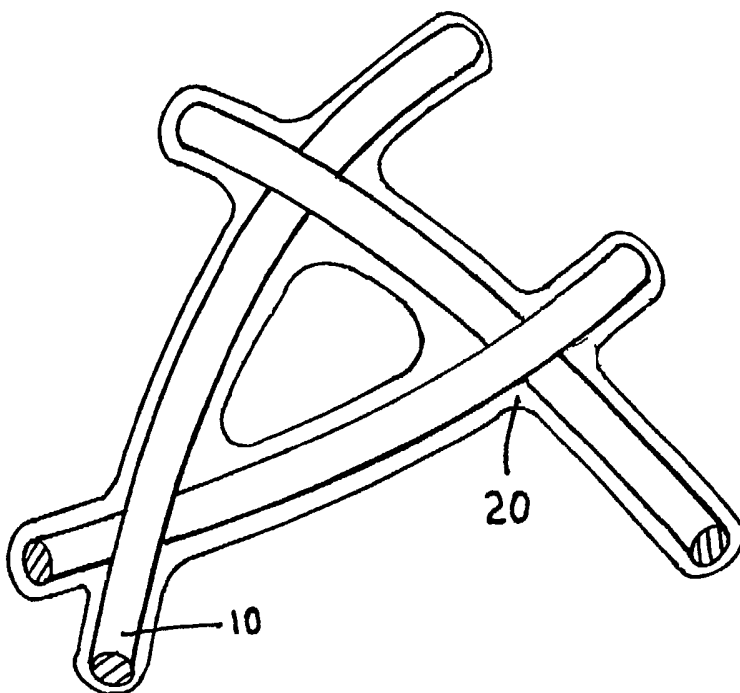
Published:

- with international search report
- before the expiration of the time limit for amending the claims and to be republished in the event of receipt of amendments

(88) Date of publication of the international search report:
26 January 2006

For two-letter codes and other abbreviations, refer to the "Guidance Notes on Codes and Abbreviations" appearing at the beginning of each regular issue of the PCT Gazette.

(54) Title: ADVANCED FILTRATION DEVICES AND METHODS



(57) Abstract: A filter media comprises a medium for capturing and neutralizing harmful substances. Methods for fabricating a low-pressure, high efficiency filter media for capturing harmful substances produce filter media having engineered pores that have an engineered pour size dispersion, which may be monodispersed and uniformly arranged. Neutralizing components may be coated on filter media, providing both increased capture efficiency and neutralization of at least one harmful substance, such as harmful pathogens, aerosols, particulates, VOCs, gases and vapors.

WO 2005/023390 A3

INTERNATIONAL SEARCH REPORT

International application No.

PCT/US04/13070

A. CLASSIFICATION OF SUBJECT MATTER

IPC(7) : B01D 37/02

US CL : 96/226, 227; 95/285; 55/524, Dig. 25, 385.2; 422/120; 427/244, 372.2; 442/123

According to International Patent Classification (IPC) or to both national classification and IPC

B. FIELDS SEARCHED

Minimum documentation searched (classification system followed by classification symbols)

U.S. : 96/226, 227; 95/285; 55/524, Dig. 25, 385.2; 422/120; 427/244, 372.2; 442/123

Documentation searched other than minimum documentation to the extent that such documents are included in the fields searched

Electronic data base consulted during the international search (name of data base and, where practicable, search terms used)

C. DOCUMENTS CONSIDERED TO BE RELEVANT

Category *	Citation of document, with indication, where appropriate, of the relevant passages	Relevant to claim No.
Y, P	US 6,673,136 B2 (GILLINGHAM et al) 06 January 2004, col. 4, line 61 through col. 5, line 16, col. 10, line 48 through col. 11, line 10, col. 27, lines 45-62.	1-11 and 16-20
Y	US 4,608,173 A (WATANABE et al) 26 August 1986, col. 1, lines 33-56, col. 2, lines 14-43.	12-15
Y	US 4,374,814 A (GAYLORD) 22 February 1983, col. 3, lines 15-45, col. 4, lines 47-57, col. 5, lines 35-39 and lines 52-61, col. 6, lines 5-37 and lines 52-57, claims 16-19.	12-15

Further documents are listed in the continuation of Box C.

See patent family annex.

* Special categories of cited documents:

"A" document defining the general state of the art which is not considered to be of particular relevance

"E" earlier application or patent published on or after the international filing date

"L" document which may throw doubts on priority claim(s) or which is cited to establish the publication date of another citation or other special reason (as specified)

"O" document referring to an oral disclosure, use, exhibition or other means

"P" document published prior to the international filing date but later than the priority date claimed

"T" later document published after the international filing date or priority date and not in conflict with the application but cited to understand the principle or theory underlying the invention

"X" document of particular relevance; the claimed invention cannot be considered novel or cannot be considered to involve an inventive step when the document is taken alone

"Y" document of particular relevance; the claimed invention cannot be considered to involve an inventive step when the document is combined with one or more other such documents, such combination being obvious to a person skilled in the art

"&" document member of the same patent family

Date of the actual completion of the international search

04 November 2005 (04.11.2005)

Date of mailing of the international search report

18 NOV 2005

Name and mailing address of the ISA/US

Mail Stop PCT, Attn: ISA/US
Commissioner for Patents
P.O. Box 1450
Alexandria, Virginia 22313-1450

Facsimile No. (571) 273-3201

Authorized officer

Minh-Chau T. Pham

Telephone No. (703) 308-0661

Sean Proctor
Patent Specialist