



US00D689271S

(12) **United States Design Patent**
Gavrieli et al.

(10) **Patent No.:** **US D689,271 S**

(45) **Date of Patent:** **** Sep. 10, 2013**

(54) **SPLIT-SOLE SHOE WITH BLUE STRIPE**

(71) Applicant: **Gavrieli Brands LLC**, Beverly Hills, CA (US)

(72) Inventors: **Kfir Gavrieli**, Los Angeles, CA (US);
Dikla Gavrieli, Los Angeles, CA (US)

(73) Assignee: **Gavrieli Brands LLC**, Beverly Hills, CA (US)

(**) Term: **14 Years**

(21) Appl. No.: **29/437,414**

(22) Filed: **Nov. 15, 2012**

Related U.S. Application Data

(63) Continuation of application No. 13/207,397, filed on Aug. 10, 2011.

(51) **LOC (9) Cl.** **02-04**

(52) **U.S. Cl.**

USPC **D2/939; D2/925**

(58) **Field of Classification Search**

USPC D2/896, 900, 919-921, 925-942,
D2/946, 949, 950, 969, 971; 36/1, 83, 8.1-8.3,
36/9 R, 45-58, 104, 108, 76 R

See application file for complete search history.

(56) **References Cited**

U.S. PATENT DOCUMENTS

1,525,848 A * 2/1925 Bonaventure 36/8.3
1,587,377 A 6/1926 Grosjean

(Continued)

FOREIGN PATENT DOCUMENTS

DE 20 2006 000230 U1 5/2007
GB 2 446 205 A 8/2008

OTHER PUBLICATIONS

Examination Report for AU 341324, dated Oct. 24, 2012.

(Continued)

Primary Examiner — Dominic Simone

(74) *Attorney, Agent, or Firm* — Morgan, Lewis & Bockius LLP

(57) **CLAIM**

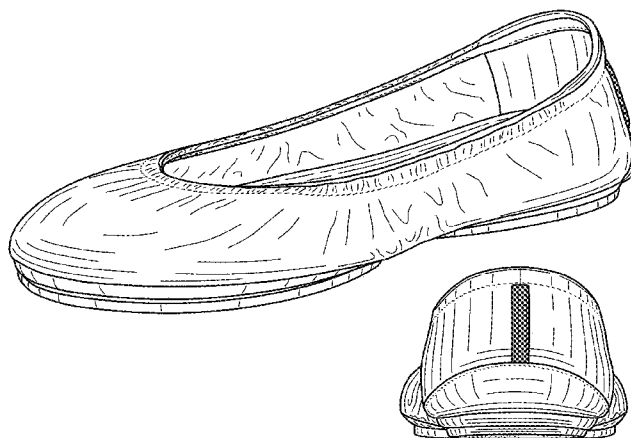
An ornamental design for a split-sole shoe with blue stripe, as shown and described.

DESCRIPTION

The file of this patent contains at least one drawing executed in color. Copies of this patent with color drawing(s) will be provided by the Office upon request and payment of the necessary fee.

FIG. 1 is a perspective view of an embodiment of our new design of a split-sole shoe with blue stripe;
FIG. 2 is a first side view of the design of FIG. 1;
FIG. 3 is a second side view of the design of FIG. 1;
FIG. 4 is a top view of the design of FIG. 1;
FIG. 5 is a bottom view of the design of FIG. 1;
FIG. 6 is a front view of the design of FIG. 1;
FIG. 7 is a back view of the design of FIG. 1;
FIG. 8 is another perspective view of the design of FIG. 1, the perspective view illustrating this embodiment when it is placed in a folded configuration;
FIG. 9 is a perspective view of a second embodiment of our new design of a split-sole shoe with blue stripe, where the blue portions are indicated using the convention of horizontal lines for blue, such as of Pantone PMS 3242-3278, PMS 2905-2995, and 7453C-7472C;
FIG. 10 is a first side view of the design of FIG. 9;
FIG. 11 is a second side view of the design of FIG. 9;
FIG. 12 is a top view of the design of FIG. 9;
FIG. 13 is a bottom view of the design of FIG. 9;
FIG. 14 is a front view of the design of FIG. 9;
FIG. 15 is a back view of the design of FIG. 9;
FIG. 16 is another perspective view of the design of FIG. 9, the perspective view illustrating this embodiment when it is placed in a folded configuration;
FIG. 17 is a perspective view of a third embodiment of our new design of a split-sole shoe with blue stripe, where the blue portions are indicated using a checkered pattern to indicate the blue color Pantone 7466C;
FIG. 18 is a first side view of the design of FIG. 17;
FIG. 19 is a second side view of the design of FIG. 17;
FIG. 20 is a top view of the design of FIG. 17;
FIG. 21 is a bottom view of the design of FIG. 17;
FIG. 22 is a front view of the design of FIG. 17;
FIG. 23 is a back view of the design of FIG. 17; and,
FIG. 24 is another perspective view of the design of FIG. 17, the perspective view illustrating this embodiment when it is placed in a folded configuration.

1 Claim, 21 Drawing Sheets
(5 of 21 Drawing Sheet(s) Filed in Color)



(56)

References Cited

U.S. PATENT DOCUMENTS

1,650,466	A	11/1927	Righter		D612,140	S	3/2010	Moon
2,268,777	A	1/1942	Scholl		D612,141	S	3/2010	Moon
D133,819	S	* 9/1942	Harris	7,735,244	B1	6/2010	Ameche
D149,685	S	* 5/1948	Sandler	D632,881	S	2/2011	Rosenberg
D150,729	S	* 8/1948	Sandler	D634,528	S	3/2011	Oldenburg
D166,090	S	* 3/1952	Maling	D635,752	S	4/2011	Shea
2,904,814	A	9/1959	Scholl		D640,861	S	7/2011	Wilkenfeld
D200,897	S	* 4/1965	Mitchell	D655,076	S	3/2012	Rosenberg
D247,396	S	* 3/1978	Schlerth	D664,755	S	8/2012	Gavrieli et al.
D295,692	S	* 5/1988	Zuidema et al.	8,245,420	B2	8/2012	Wilson
D300,085	S	3/1989	Ito et al.		D668,027	S	10/2012	Millieret
D316,773	S	5/1991	Valle		D668,438	S	10/2012	Millieret
D339,669	S	* 9/1993	Miller	D668,847	S	10/2012	Gavrieli et al.
D341,022	S	11/1993	Zona		D668,848	S	10/2012	Gavrieli et al.
D351,719	S	10/1994	Piotrozciz		D669,674	S	10/2012	Vidal
D396,341	S	7/1998	Lozano et al.		D672,542	S	12/2012	Gray et al.
D397,238	S	8/1998	Lozano et al.		D676,634	S	2/2013	Gavrieli et al.
6,338,207	B1	1/2002	Chang		2004/0025377	A1	2/2004	Brannon
D457,292	S	* 5/2002	Sessa	2006/0026868	A1	2/2006	Grisoni
D461,947	S	8/2002	Merceron		2006/0086005	A1	4/2006	Yerianm
D476,798	S	7/2003	Reynolds et al.		2007/0062064	A1	3/2007	McClaskie
D498,041	S	11/2004	McClaskie		2009/0193685	A1	8/2009	Wilson
D500,191	S	* 12/2004	Belley et al.	2009/0272009	A1	11/2009	Weisner et al.
D501,706	S	2/2005	McClaskie		2010/0018080	A1	1/2010	Smith
D527,513	S	* 9/2006	Della Valle	2010/0115793	A1	5/2010	Kraisosky
D531,790	S	11/2006	Wurzburg		2011/0214312	A1	9/2011	Krikelis
D534,341	S	* 1/2007	Choi				
D542,513	S	5/2007	Amado et al.					
D570,488	S	6/2008	Kirksey et al.					
D571,548	S	6/2008	Seamans					
D571,989	S	7/2008	Siegal					
D576,397	S	9/2008	Couder					
D580,640	S	11/2008	Wurzburg					
D582,638	S	12/2008	Ringholz					
7,506,459	B2	3/2009	Grisoni et al.					
D591,031	S	4/2009	Confinco					
D593,295	S	* 6/2009	Belley et al.				
D593,297	S	* 6/2009	Belley et al.				
D593,307	S	* 6/2009	Belley et al.				
D599,093	S	* 9/2009	Issler				
D604,030	S	11/2009	Wilson					
D607,194	S	1/2010	Zagula					
D610,332	S	2/2010	Raichle					
D610,785	S	3/2010	Smith					

OTHER PUBLICATIONS

The Love List, "Tieks by Gavrieli—Foldable Ballet Flats", Sep. 12, 2010. <http://thelovelist-carly.blogspot.com.au/2010/09/tieks-by-gavrielli-foldable-ballet.html>.

Wearability—Real People Style, "What came first, the City Flat or the Tieks" Aug. 29, 2010, <http://wearability.posterous.com/what-came-first-the-city-flat-or-the-tieks>.

Try It Mummy!, Tieks by Gavrieli, Dec. 9, 2010, <http://tryitmummy.blogspot.com.au/2010/12/tieks-by-gavrieli.html>.

Letter from TMI and Associates with Office Action dated Sep. 19, 2012 with old URL <http://www.payless.com/store/?&TLC=Womens&SLC=WomensNewArrivals&BLC=WomensNewArrivalsNewArrivals&Width=Regular&ItemCode=60131&LotNumber=062642&Type=Adult&Popularity=637&Descriptivein>.

Taiwanese Office Action for TW 101300726, dated Sep. 6, 2012.

* cited by examiner

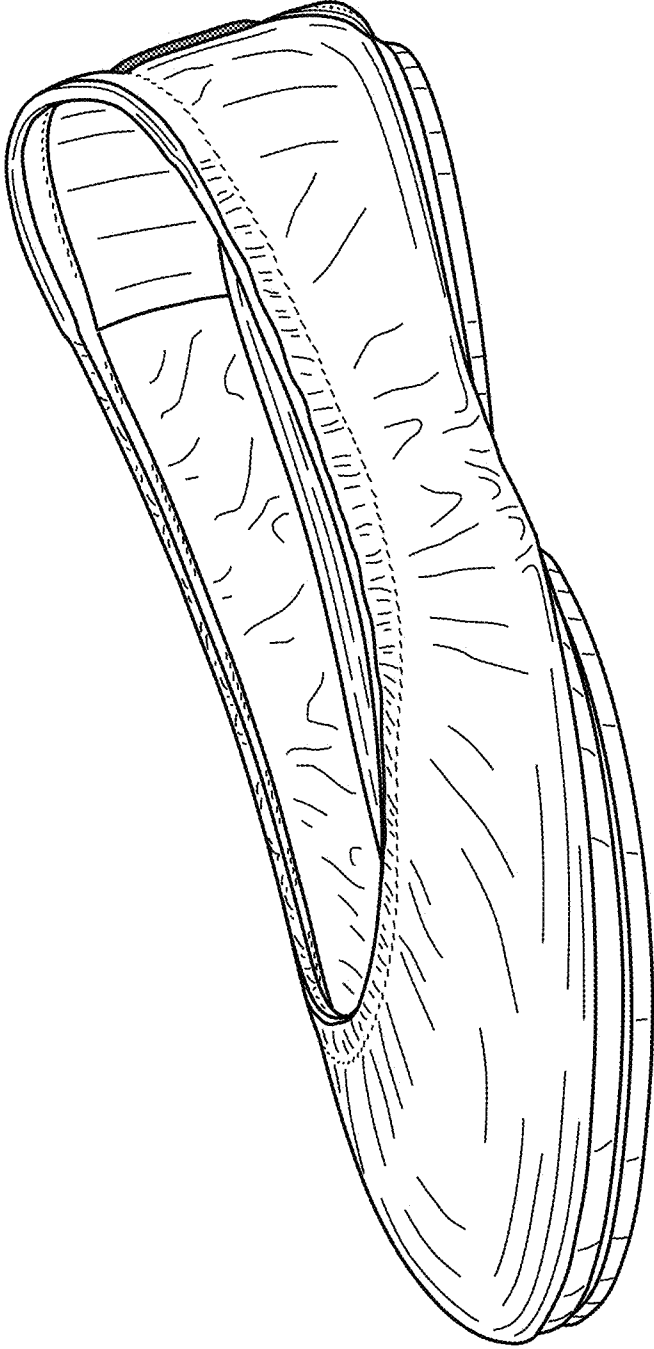


FIG. 1

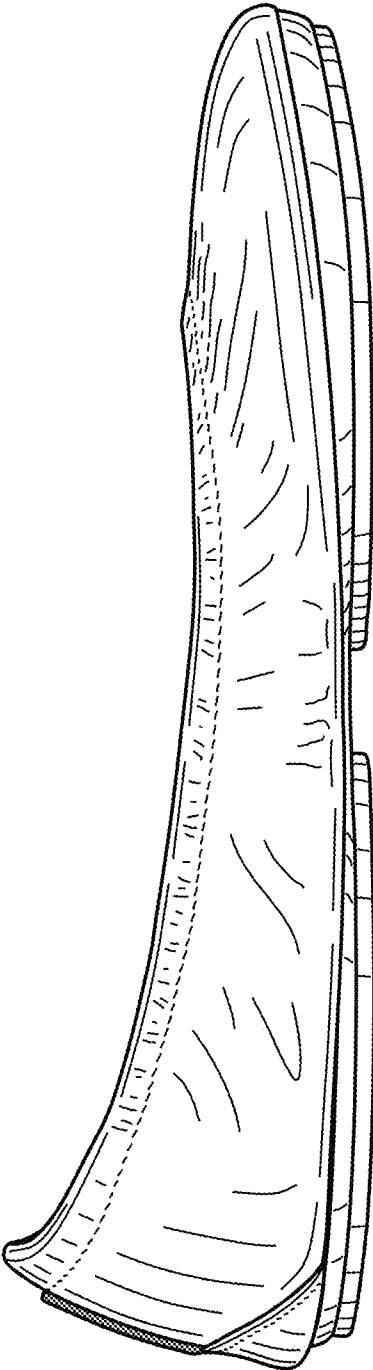


FIG. 2

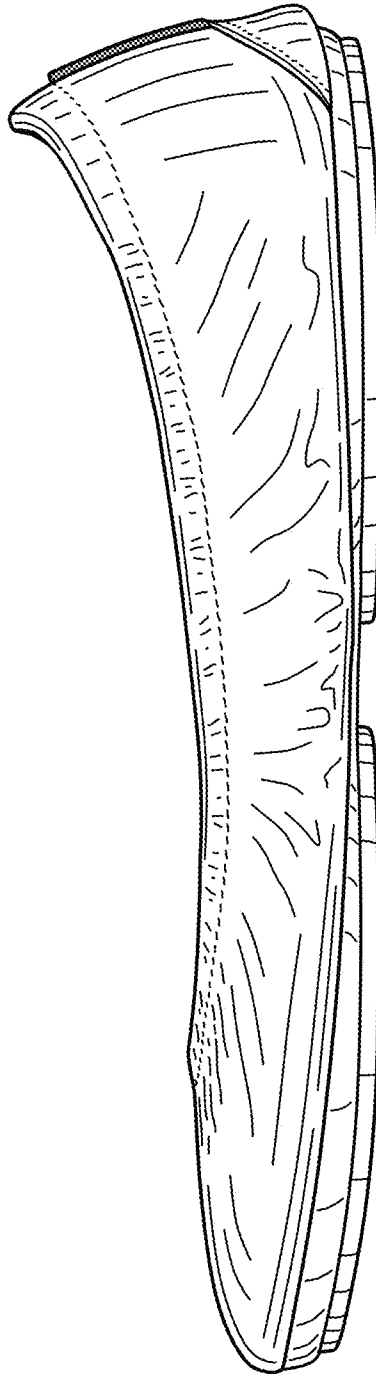


FIG. 3

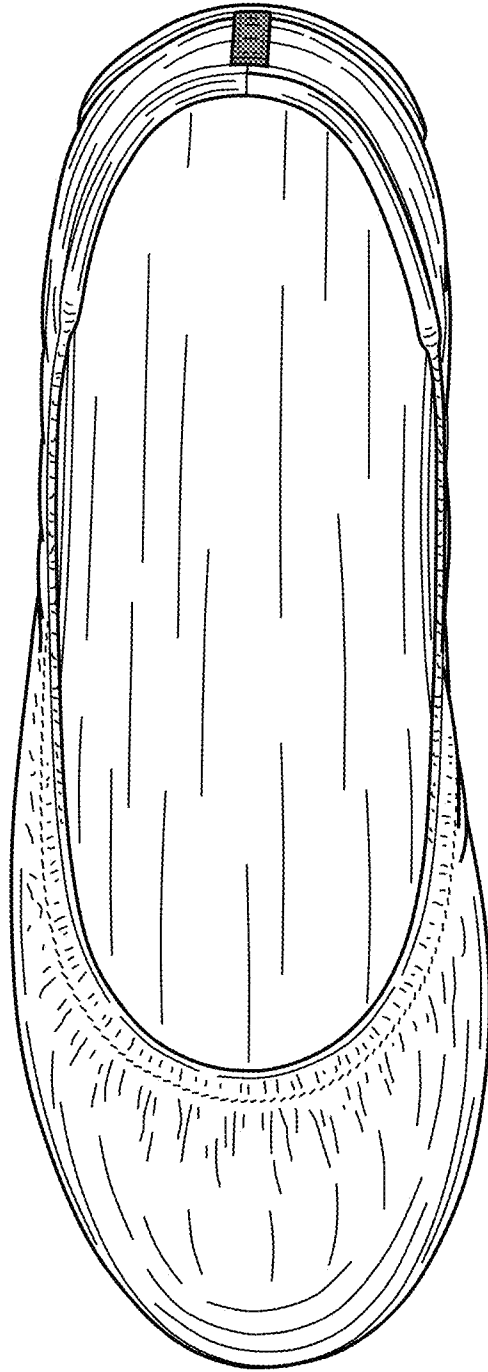


FIG. 4

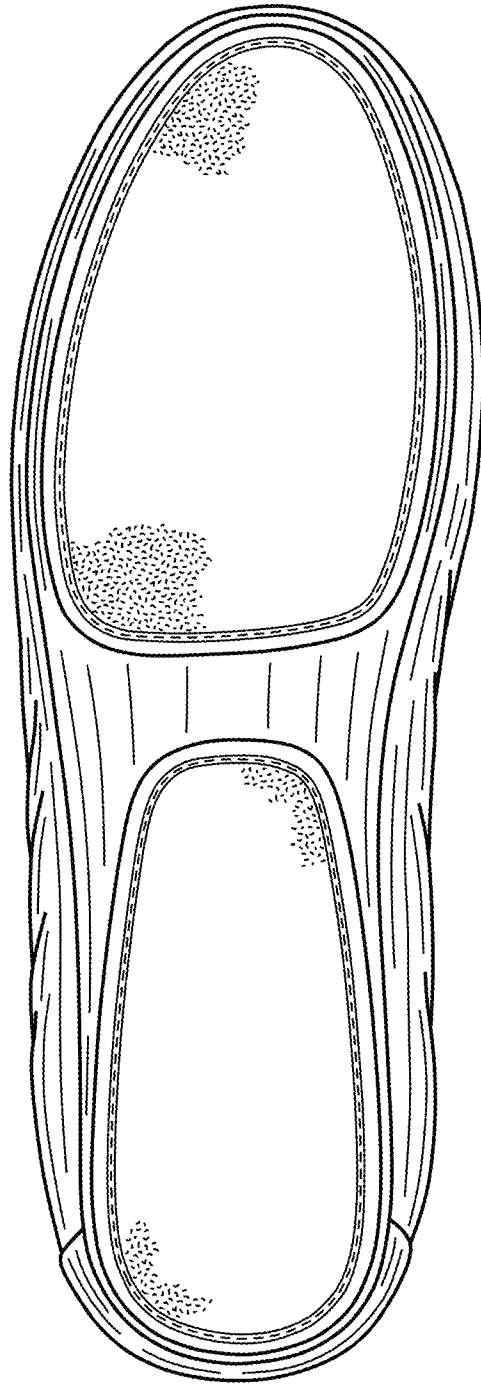


FIG. 5

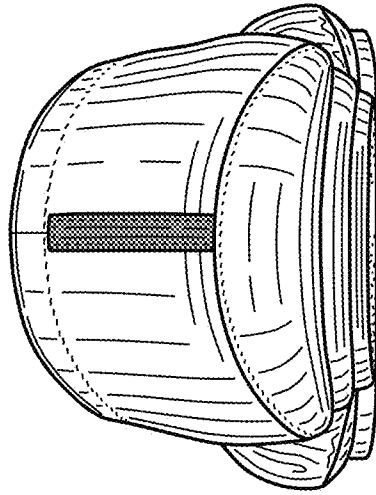


FIG. 7

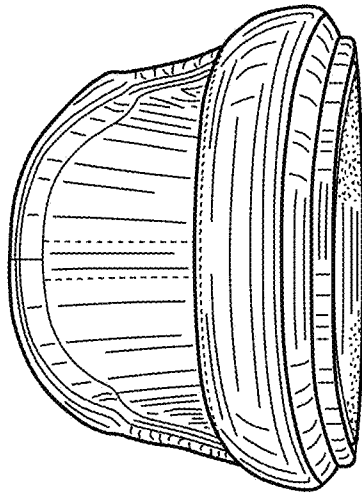


FIG. 6

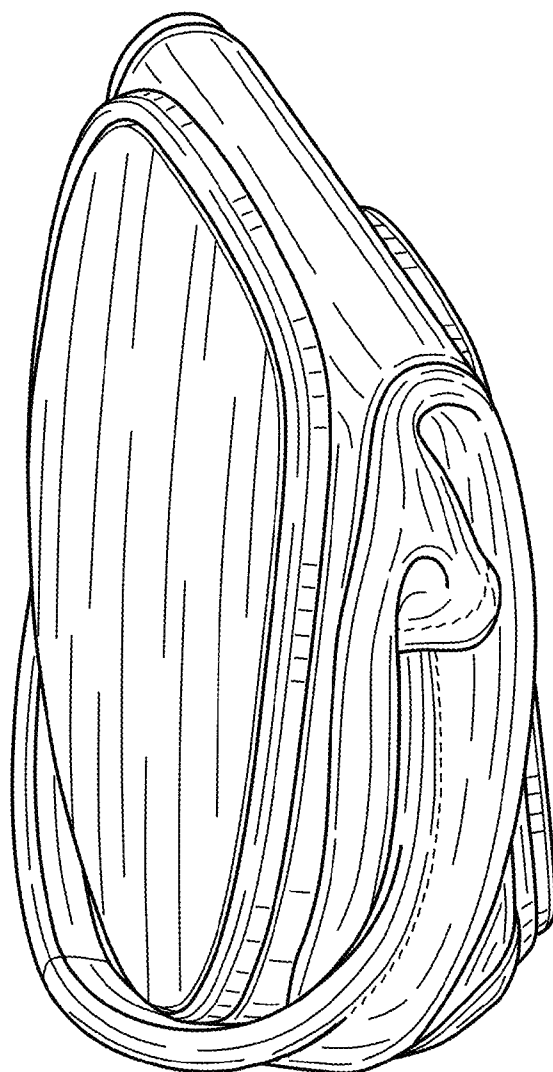


FIG. 8

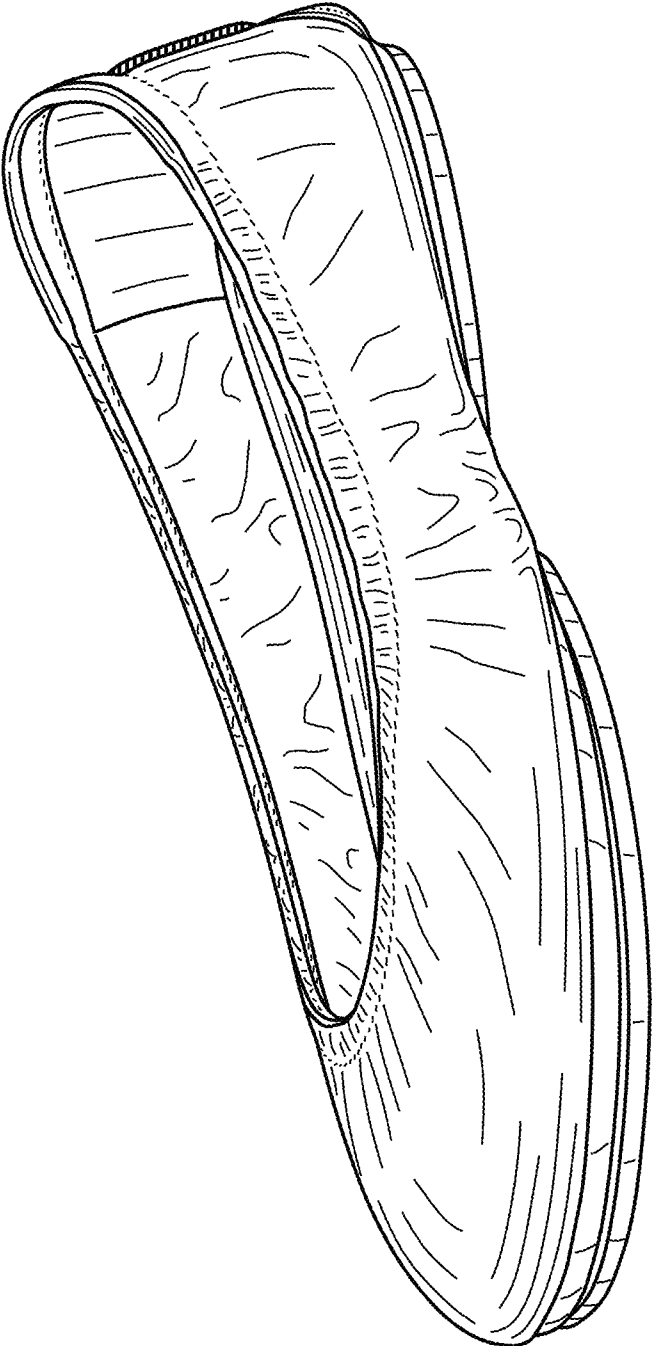


FIG. 9

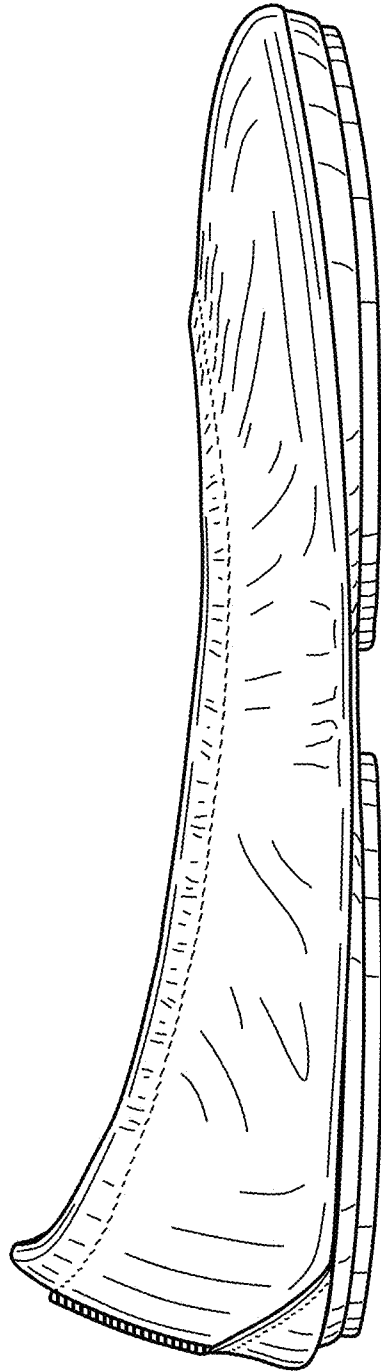


FIG. 10

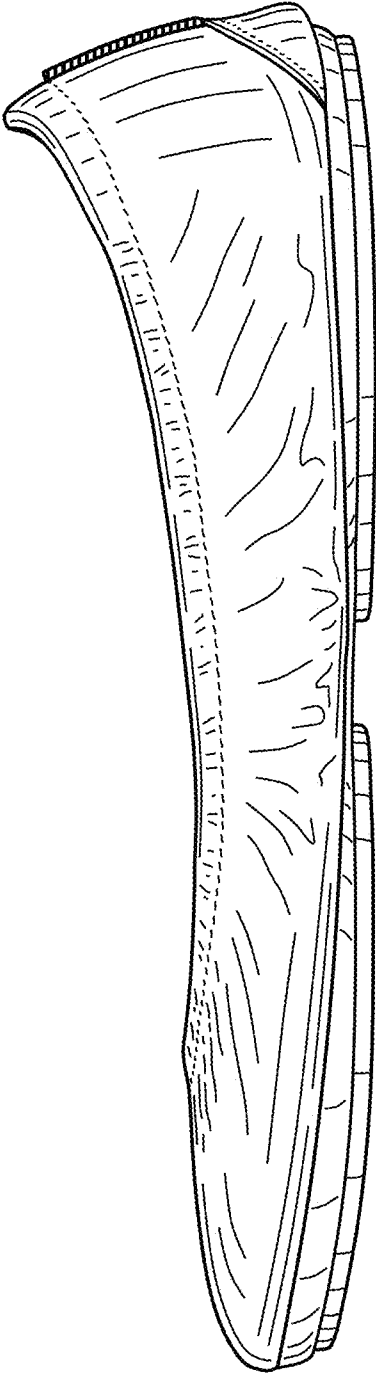


FIG. 11

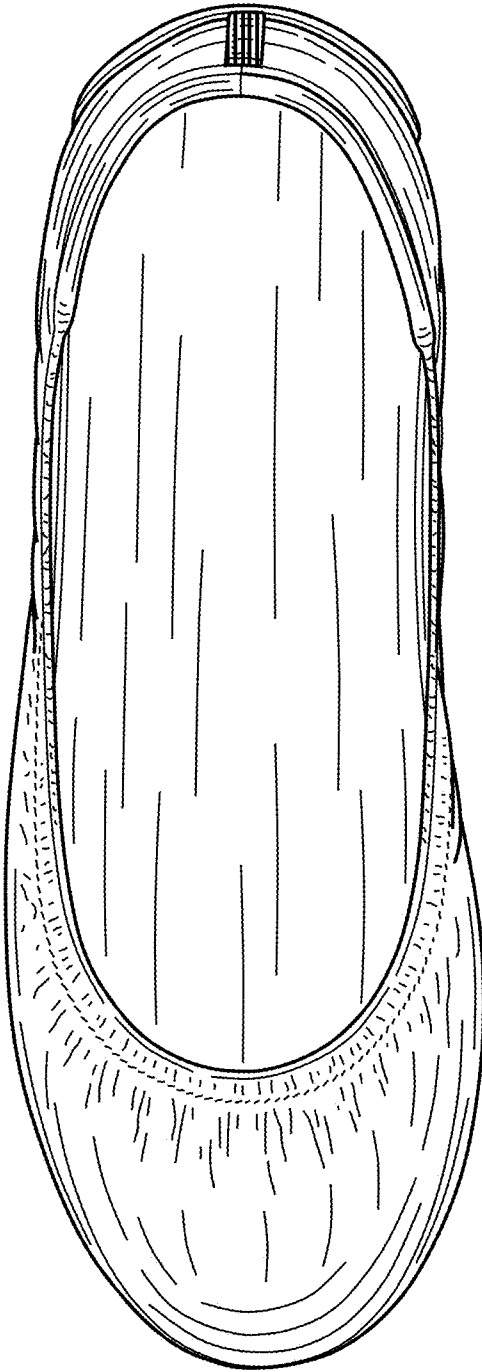


FIG. 12

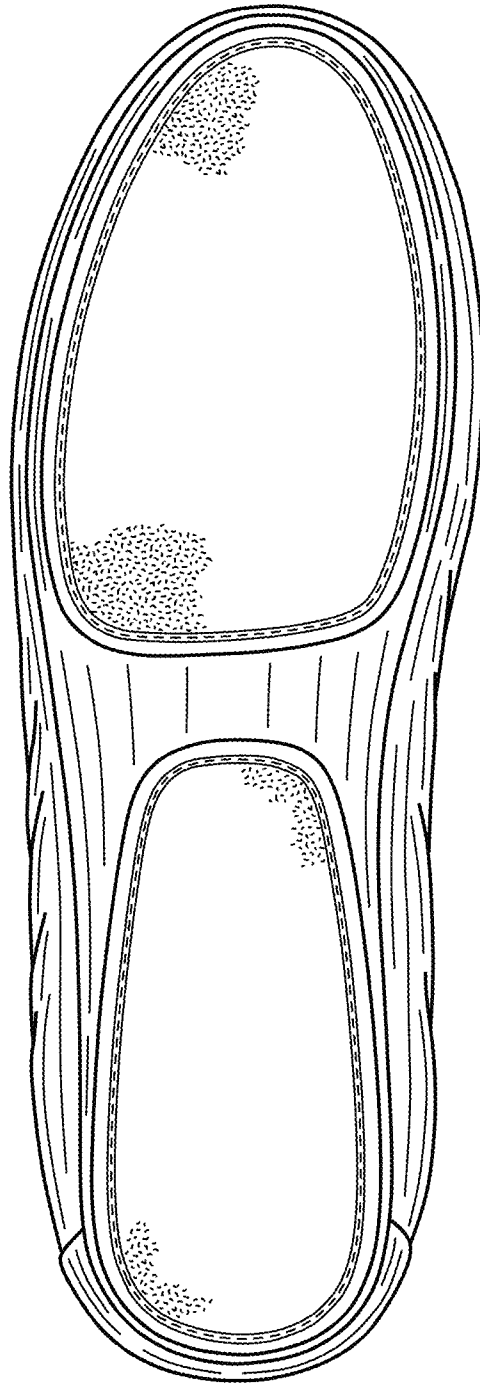


FIG. 13

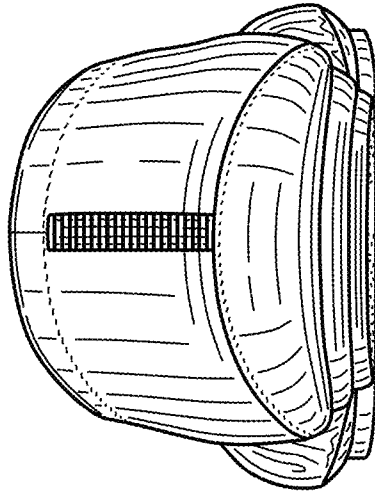


FIG. 15

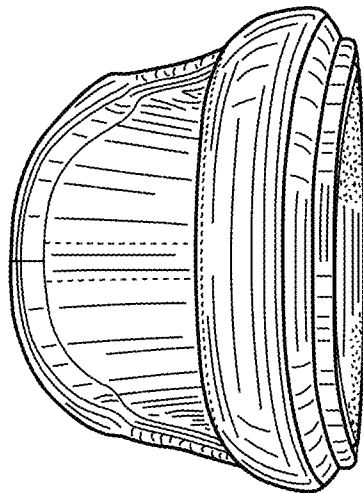


FIG. 14

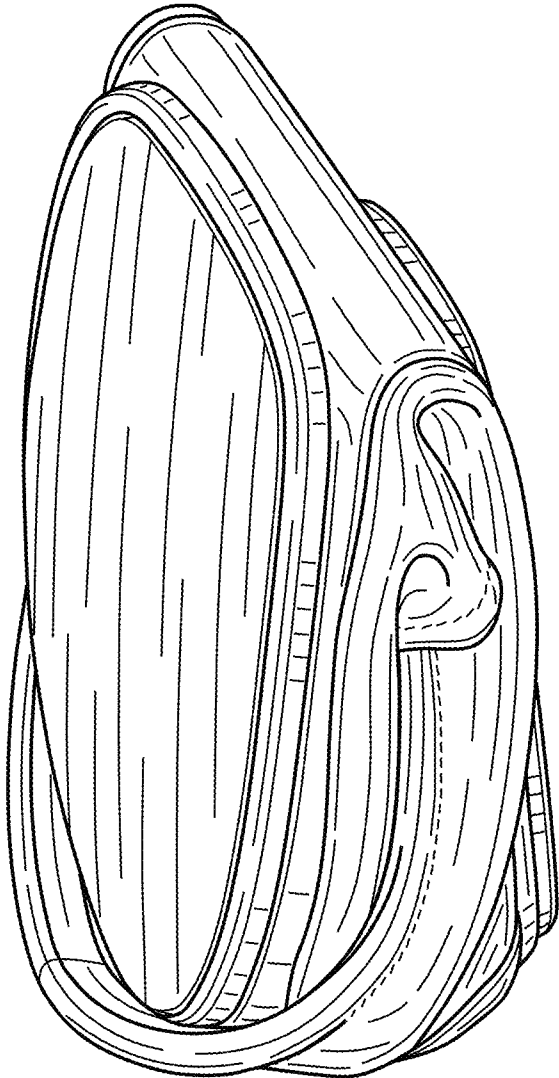


FIG. 16

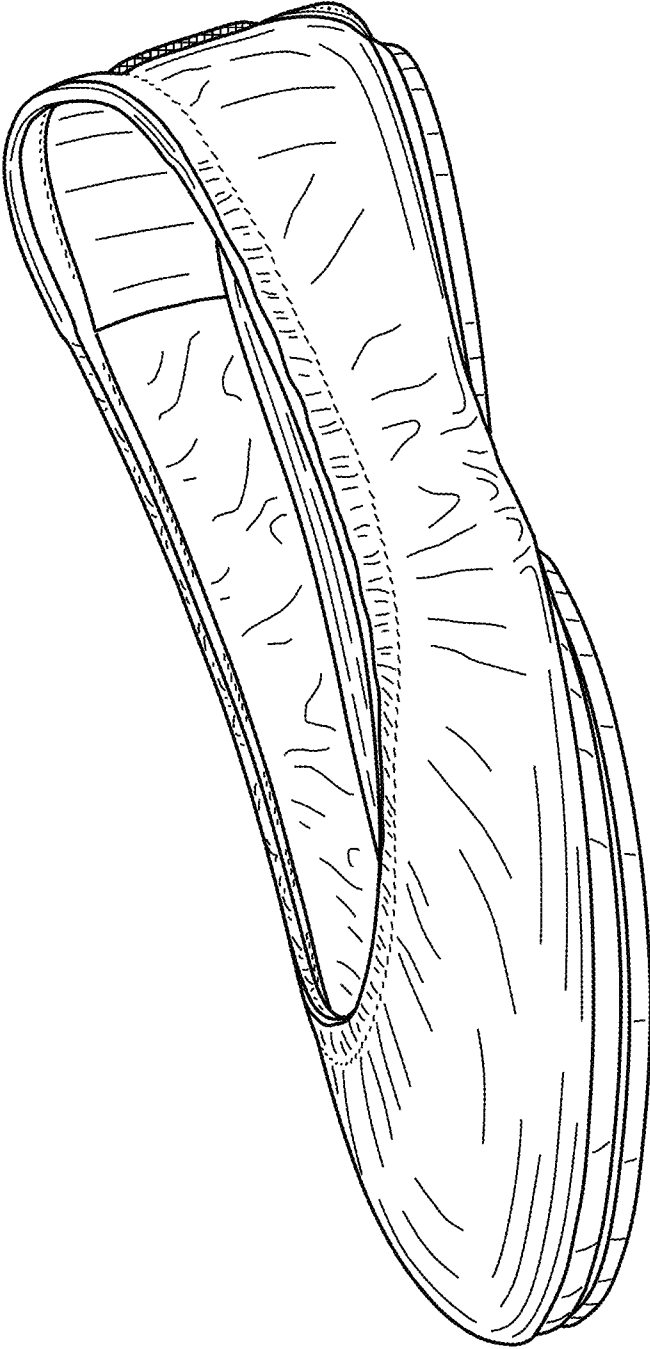


FIG. 17

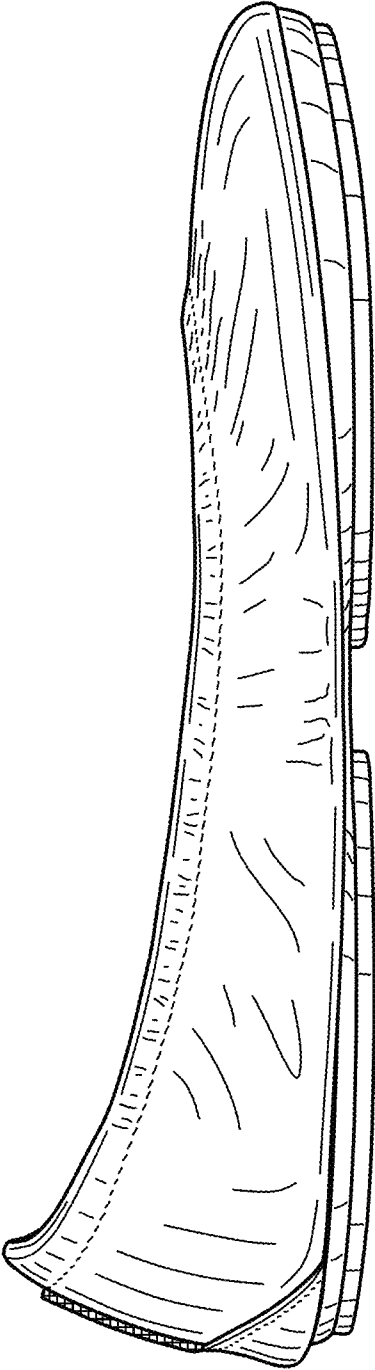


FIG. 18

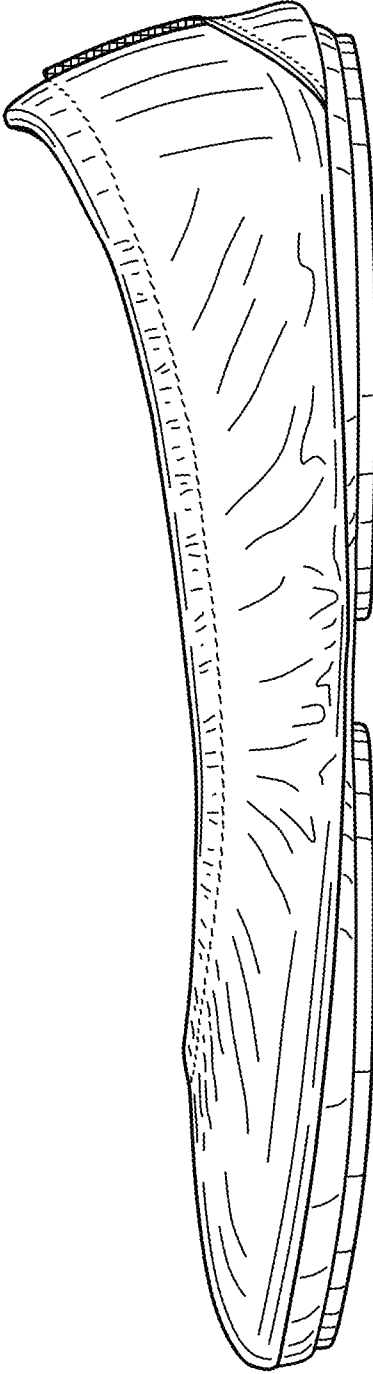


FIG. 19

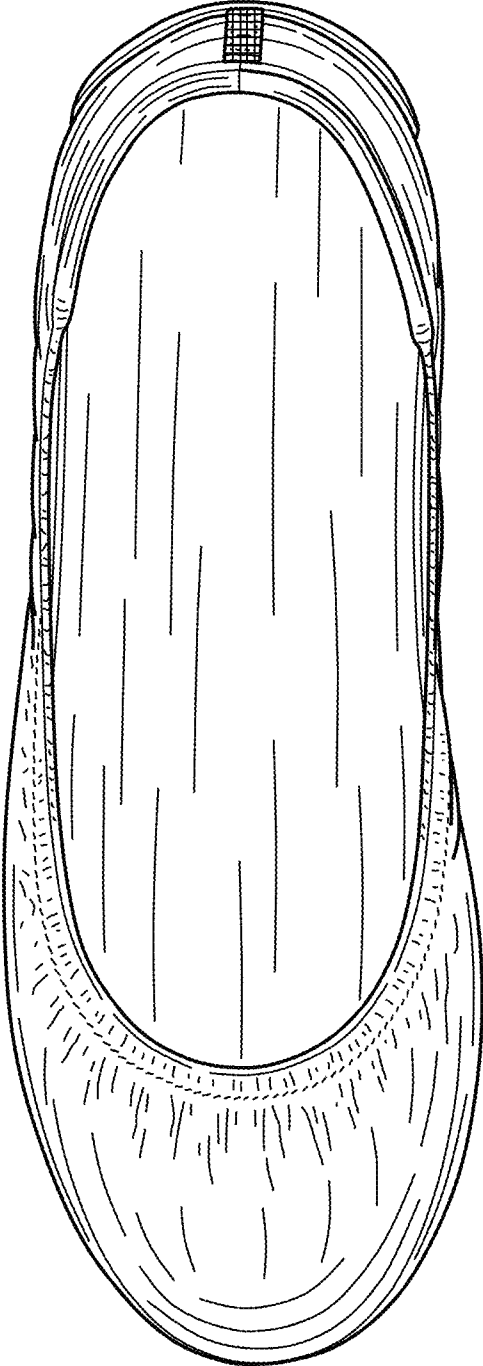


FIG. 20

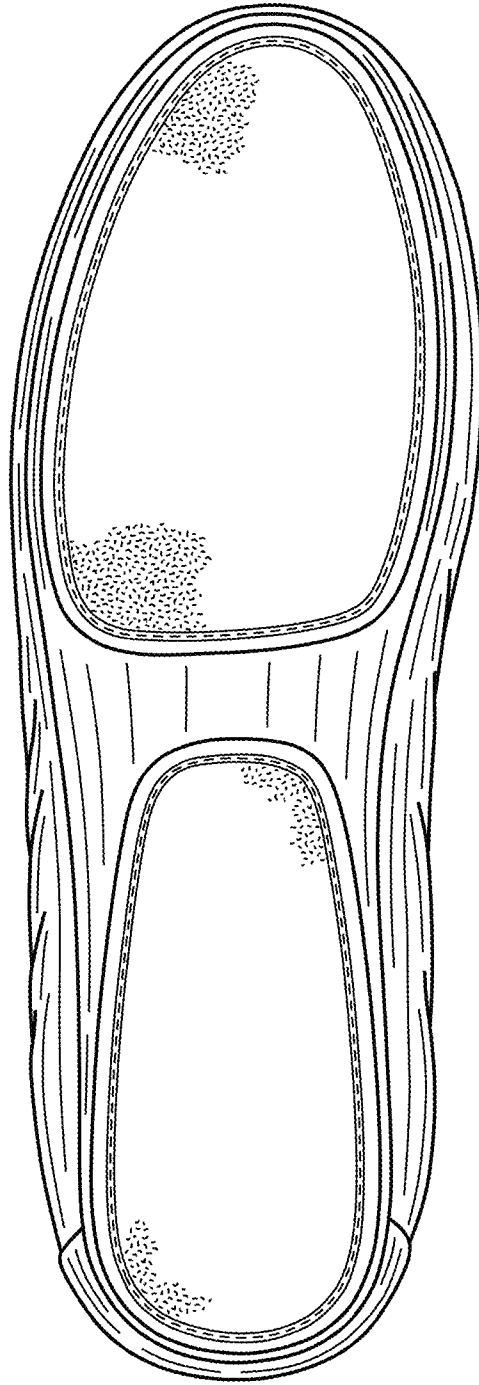


FIG. 21

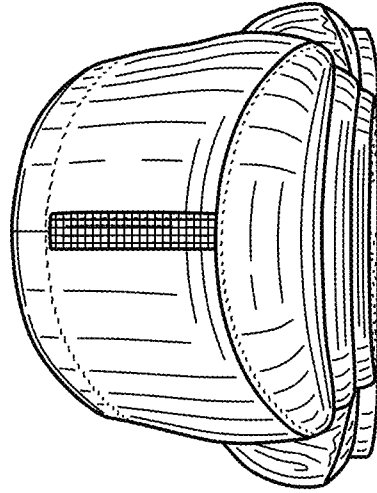


FIG. 23

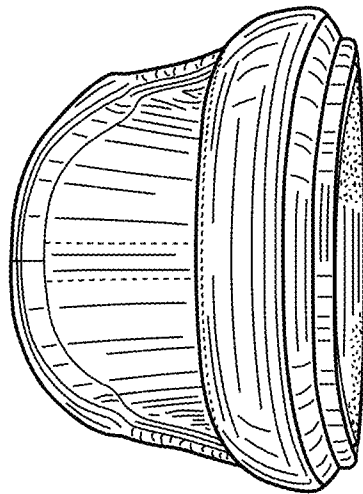


FIG. 22

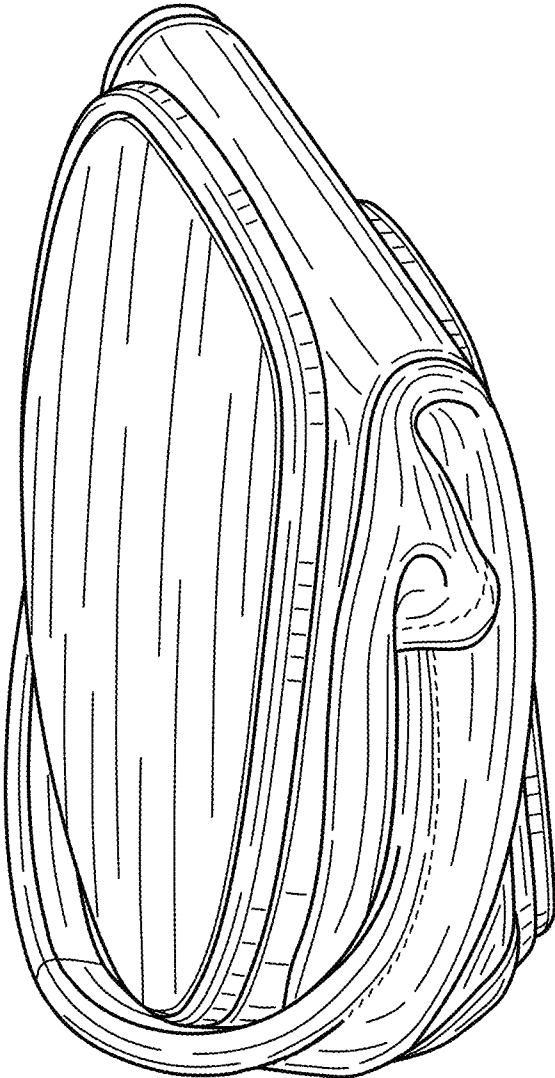


FIG. 24