

(19) World Intellectual Property Organization
International Bureau



(43) International Publication Date
18 January 2001 (18.01.2001)

PCT

(10) International Publication Number
WO 01/03945 A1

(51) International Patent Classification⁷: **B42D 15/10**

MARKANTES, Charles, T.; 155 Stony Point Road #21, Santa Rosa, CA 95401 (US). **PHILLIPS, Roger, W.**; 466 Jacqueline Drive, Santa Rosa, CA 95405 (US).

(21) International Application Number: PCT/US00/10985

(22) International Filing Date: 21 April 2000 (21.04.2000)

(74) Agents: **SEELEY, David, O.** et al.; Workman, Nydegger & Seeley, 1000 Eagle Gate Tower, 60 East South Temple, Salt Lake City, UT 84111 (US).

(25) Filing Language: English

(26) Publication Language: English

(81) Designated States (*national*): AU, CA, CN, JP, KR.

(30) Priority Data:
09/351,102 8 July 1999 (08.07.1999) US

(84) Designated States (*regional*): European patent (AT, BE, CH, CY, DE, DK, ES, FI, FR, GB, GR, IE, IT, LU, MC, NL, PT, SE).

(71) Applicant: **FLEX PRODUCTS, INC.** [US/US]; 1402 Mariner Way, Santa Rosa, CA 95407-7370 (US).

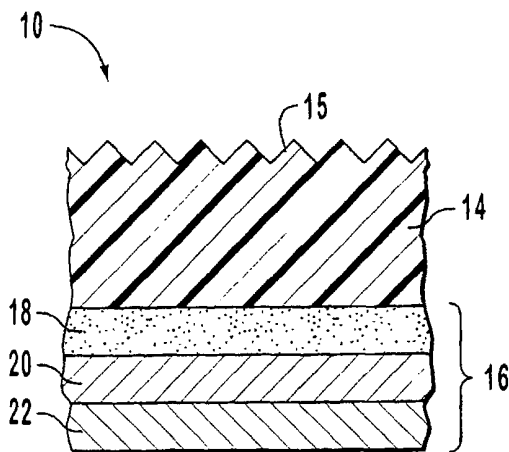
Published:
— *With international search report.*

(72) Inventors: **BONKOWSKI, Richard, L.**; 3568 Southridge Drive, Santa Rosa, CA 95403 (US). **HIGGINS, Patrick, K.**; 9971 Troon Court, Windsor, CA 95492 (US).

For two-letter codes and other abbreviations, refer to the "Guidance Notes on Codes and Abbreviations" appearing at the beginning of each regular issue of the PCT Gazette.



(54) Title: **DIFFRACTIVE SURFACES WITH COLOR SHIFTING BACKGROUNDS**



(57) **Abstract:** A security article (10) includes a light transmissive substrate (14) having a first surface and an opposing second surface, with the first surface having an embossed region with an optical diffraction pattern or a holographic image pattern (15). A color shifting optical coating (16) is formed on the substrate such as on the opposing second surface, with the optical coating providing an observable color shift as the angle of incident light or viewing angle changes. The security article can be used in a variety of applications and products to provide for enhanced security measures such as anticounterfeiting.

WO 01/03945 A1

DIFFRACTIVE SURFACES WITH COLOR SHIFTING BACKGROUNDS

BACKGROUND OF THE INVENTION

5 1. **The Field of the Invention**

The present invention is related generally to thin film optical coatings for use in producing security articles. More specifically, the present invention is related to the production of diffractive surfaces such as holograms or gratings having color shifting or optically variable backgrounds which can be used as security articles in a variety of applications.

10 2. **The Relevant Technology**

Color shifting pigments and colorants have been used in numerous applications, ranging from automobile paints to anti-counterfeiting inks for security documents and currency. Such pigments and colorants exhibit the property of changing color upon variation of the angle of incident light, or as the viewing angle of the observer is shifted. The primary method used to achieve such color shifting colorants is to disperse small flakes, which are typically composed of multiple layers of thin films having particular optical characteristics, throughout a medium such as paint or ink that may then be subsequently applied to the surface of an object.

20 Diffraction patterns and embossments, and the related field of holographs, have begun to find wide-ranging practical applications due to their aesthetic and utilitarian visual effects. One very desirable decorative effect is the iridescent visual effect created by a diffraction grating. This striking visual effect occurs when ambient light is diffracted into its color components by reflection from the diffraction grating. In general, diffraction gratings are essentially repetitive structures made of lines or grooves in a material to form a peak and trough structure. Desired optical effects within the visible spectrum occur when diffraction gratings have regularly spaced grooves in the range of hundreds to thousands of lines per millimeter on a reflective surface.

30 Diffraction grating technology has been employed in the formation of two-dimensional holographic patterns which create the illusion of a three-dimensional image to an observer. Furthermore, the use of holographic images on various objects to discourage counterfeiting has found widespread application.

There currently exist several applications for surfaces embossed with holographic patterns which range from decorative items, such as gift wrap, to security documents,

such as bank notes and credit cards. Two-dimensional holograms typically utilize diffraction patterns which have been formed on a plastic surface. In some cases, a holographic image which has been embossed on such a surface can be visible without further processing; however, it is generally necessary, in order to achieve maximum optical effects, to place a reflective layer, typically a thin metal layer such as aluminum, onto the embossed surface. The reflective layer substantially increases the visibility of the diffraction pattern embossment.

Unfortunately, there exists a substantial incentive for counterfeiters to reproduce the holograms which are frequently used in credit cards, bank notes, and the like. One of the methods used to reproduce holograms is to scan a laser beam across the embossed surface and optically record the reflected beam on a layer of a material such as a photopolymerizable polymer. The original pattern can subsequently be reproduced as a counterfeit. Another method is to remove the protective covering material from the embossed metal surface by ion etching, and then when the embossed metal surface is exposed, a layer of metal such as silver (or any other easily releasable layer) can be deposited. This is followed by deposition of a layer of nickel, which is subsequently released to form a counterfeiting embossing shim.

Due to the level of sophistication of counterfeiting methods, it has become necessary to develop more advanced security measures. One approach, as disclosed in U.S. Patent Nos. 5,629,068 and 5,549,774 to Miekka et al., is the application of inks, such as metallic flake inks, metallic effect inks, or inks with pigments formed of optical stacks, upon the embossed surface in lieu of a thin metal layer. In another approach, disclosed in U.S. Patent Nos. 5,624,076 and 5,672,410 also to Miekka et al., embossed metal particles or optical stack flakes are used to produce a holographic image pattern.

Another problem with the holographic images as described above is that they require direct specular illumination in order to be visualized. This means that for best viewing results, the illuminating light must be incident at the same angle as the viewing angle. Therefore, diffuse light sources, such as ordinary room lights or viewing by an overcast sky, when used to illuminate the holographic image, do not reveal much of the visual information contained in the hologram, and what is typically seen is only a silver colored reflection from the embossed surface.

It would therefore be of substantial advantage to develop improved security products to provide enhanced viewing qualities in ordinary room light and which are usable in various security applications to make counterfeiting more difficult.

SUMMARY

In accordance with the invention as embodied and broadly described herein, a security article is provided which includes a light transmissive substrate having a first surface and an opposing second surface, with the first surface having an optical interference pattern such as a diffraction grating pattern or a holographic image pattern. A color shifting optical coating is formed on the substrate, with the optical coating providing an observable color shift as the angle of incident light or viewing angle changes. In one embodiment, the color shifting optical coating is formed on the second surface of the substrate opposite from the optical interference pattern, and includes an absorber layer formed adjacent to the substrate, a dielectric layer formed on the absorber layer, and a reflector layer formed on the dielectric layer. Alternatively, this multilayer optical coating can be formed on the same side of the substrate as the interference pattern.

In another embodiment, the color shifting optical coating is applied to the substrate in the form of a paint or ink which includes a polymeric medium and a plurality of color shifting multilayer optical interference flakes dispersed in the polymeric medium. In other embodiments, the color shifting optical coating is coextruded with a light transmissive embossed substrate to form adjacent layers or is dispersed in the form of interference flakes in the substrate material prior to forming the substrate.

The security article of the invention can be used in a variety of applications to provide for enhanced security measures such as anticounterfeiting. The security article can be utilized in the form of a label, a tag, a ribbon, a security thread, and the like, for application in a variety of objects such as security documents, monetary currency, credit cards, merchandise, etc.

These and other aspects and features of the present invention will become more fully apparent from the following description and appended claims, or may be learned by the practice of the invention as set forth hereinafter.

BRIEF DESCRIPTION OF THE DRAWINGS

In order to more fully understand the manner in which the above-recited and other advantages are obtained, a more particular description of the invention will be rendered by reference to specific embodiments thereof which are illustrated in the appended drawings. Understanding that these drawings depict only typical embodiments of the invention and are not therefore to be considered as limiting of its scope, the invention will be described and explained with additional specificity and detail through the use of accompanying drawings in which:

Figure 1A is a schematic depiction of a security article having a color shifting optical coating according to one embodiment of the present invention;

Figure 1B is a schematic depiction of a security article having a color shifting optical coating according to an alternative embodiment of the present invention;

5 Figure 2A is a schematic depiction of a security article having a color shifting optical coating according to another embodiment of the present invention;

Figure 2B is a schematic depiction of a security article having a color shifting optical coating according to an alternative embodiment of the present invention;

10 Figure 3 is a schematic depiction of a security article according to yet another embodiment of the present invention;

Figure 4 is a schematic depiction of a security article according to a further embodiment of the present invention;

Figure 5 is a schematic depiction of the security article of Figure 1A with a release layer formed thereon;

15 Figure 6 is a schematic depiction of the security article of Figure 1A attached to a carrier substrate;

Figure 7 is a schematic depiction of the security article of Figure 1B with a release layer formed thereon; and

20 Figure 8 is a schematic depiction of the security article of Figure 1B attached to a carrier substrate.

DETAILED DESCRIPTION OF THE INVENTION

The present invention is directed to security articles having diffractive surfaces with color shifting backgrounds that produce enhanced visual effects. The configuration of the security articles is such that a combination of either holographic or diffraction grating patterns with color shifting films or layers decreases the possibility of counterfeiting. Furthermore, the article of the invention allows a user to more easily view the image or diffraction effect in diffuse light without the need for direct specular light.

25 Generally, the configuration of the security articles of the present invention is such that the combination of a light transmissive substrate, having an interference pattern on the surface thereof, with color shifting optical coatings provides security features that make forgery or counterfeiting of an object difficult.

30 Referring to the drawings, wherein like structures are provided with like reference designations, Figure 1A depicts a security article 10 according to one embodiment of the present invention. The security article 10 includes a light transmissive substrate 14 formed with an optical interference pattern 15 on an outer first surface thereof. A color shifting

35

optical coating 16 is formed on an opposing second surface of substrate 14 and is discussed in further detail below. The combination of substrate 14 and color shifting optical coating 16 forming security article 10 provide a security feature that reduces the possibility of duplication, forgery and/or counterfeiting of an object having security article 10 thereon.

The optical interference pattern 15 formed on the outer surface of light transmissive substrate 14 can take various conventional forms including diffraction patterns such as diffraction gratings, refraction patterns, holographic patterns such as two-dimensional and three-dimensional holographic images, corner cube reflectors, or other like interference patterns. The particular methods and structures that form optical interference pattern 15 are known by those skilled in the art. For example, embossing the light transmissive substrate to form an interference pattern thereon can be done by well known methods, such as embossing the surface of a plastic film by pressing it in contact with a heated nickel embossing shim at high pressure. Other methods include photolithography, molding of the plastic film against a patterned surface, and the like.

Generally, moldable materials are used to form light transmissive substrate 14 and include, for example, plastics such as polyethylene terephthalate (PET), especially PET type G, polycarbonate, acrylics such as polyacrylates including polymethyl methacrylate (PMMA), polyacrylonitrile, polyvinyl chloride, polystyrene, polypropylene, polynaphthalene terephthalate (PNT), mixtures or copolymers thereof, and the like. It is preferred that light transmissive substrate 14 be substantially composed of a transparent material such as polycarbonate. The substrate 14 is formed to have a suitable thickness of about 5 μ m to about 100 μ m, and preferably a thickness of about 12 μ m to about 25 μ m. In addition, substrate 14 can be made of one layer or multiple layers of substrate materials.

In one embodiment, substrate 14 can be produced from a thermoplastic film that has been embossed by heat softening the surface of the film and then passing the film through embossing rollers which impart the diffraction grating or holographic image onto the softened surface. In this way, sheets of effectively unlimited length can be formed with the diffraction grating or holographic image thereon.

As shown in Figure 1A, the color shifting optical coating 16 is a multilayer optical interference film that includes an absorber layer 18, a dielectric layer 20, and a reflector layer 22. The absorber layer 18 is deposited on light transmissive substrate 14 by a conventional deposition process such as physical vapor deposition (PVD), sputtering, or the like. The absorber layer 18 is formed to have a suitable thickness of about 30-150 Angstroms (\AA), and preferably a thickness of about 50-100 \AA . The absorber layer 18 can

be composed of a semi-opaque material such as a grey metal, including metals such as chromium, nickel, titanium, vanadium, cobalt, and palladium, as well as other metals such as iron, tungsten, molybdenum, niobium, aluminum, and the like. Various combinations and alloys of the above metals may also be utilized, such as Inconel (Ni-Cr-Fe). Other absorber materials may also be employed in absorber layer 18 including metal compounds such as metal fluorides, metal oxides, metal sulfides, metal nitrides, metal carbides, metal phosphides, metal selenides, metal silicides, and combinations thereof, as well as carbon, germanium, cermet, ferric oxide, metals mixed in a dielectric matrix, and the like.

The dielectric layer 20 is formed on absorber layer 18 by a conventional deposition process such as PVD, reactive DC sputtering, RF sputtering, or the like. The dielectric layer 20 is formed to have an effective optical thickness for imparting color shifting properties to security article 10. The optical thickness is a well known optical parameter defined as the product ηd , where η is the refractive index of the layer and d is the physical thickness of the layer. Typically, the optical thickness of a layer is expressed in terms of a quarter wave optical thickness (QWOT) that is equal to $4\eta d/\lambda$, where λ is the wavelength at which a QWOT condition occurs. The optical thickness of dielectric layer 20 can range from about 2 QWOT at a design wavelength of about 400 nm to about 9 QWOT at a design wavelength of about 700 nm, and preferably 2-6 QWOT at 400-700 nm, depending upon the color shift desired. Suitable materials for dielectric layer 20 include those having a "high" index of refraction, defined herein as greater than about 1.65, as well as those have a "low" index of refraction, which is defined herein as about 1.65 or less.

Examples of suitable high refractive index materials for dielectric layer 20 include zinc sulfide (ZnS), zinc oxide (ZnO), zirconium oxide (ZrO₂), titanium dioxide (TiO₂), carbon (C), indium oxide (In₂O₃), indium-tin-oxide (ITO), tantalum pentoxide (Ta₂O₅), ceric oxide (CeO₂), yttrium oxide (Y₂O₃), europium oxide (Eu₂O₃), iron oxides such as (II)diiron(III) oxide (Fe₃O₄) and ferric oxide (Fe₂O₃), hafnium nitride (HfN), hafnium carbide (HfC), hafnium oxide (HfO₂), lanthanum oxide (La₂O₃), magnesium oxide (MgO), neodymium oxide (Nd₂O₃), praseodymium oxide (Pr₆O₁₁), samarium oxide (Sm₂O₃), antimony trioxide (Sb₂O₃), silicon carbide (SiC), silicon nitride (Si₃N₄), silicon monoxide (SiO), selenium trioxide (Se₂O₃), tin oxide (SnO₂), tungsten trioxide (WO₃), combinations thereof, and the like.

Suitable low refractive index materials for dielectric layer 20 include silicon dioxide (SiO₂), aluminum oxide (Al₂O₃), metal fluorides such as magnesium fluoride (MgF₂), aluminum fluoride (AlF₃), cerium fluoride (CeF₃), lanthanum fluoride (LaF₃),

sodium aluminum fluorides (*e.g.*, Na_3AlF_6 or $\text{Na}_5\text{Al}_3\text{F}_{14}$), neodymium fluoride (NdF_3), samarium fluoride (SmF_3), barium fluoride (BaF_2), calcium fluoride (CaF_2), lithium fluoride (LiF), combinations thereof, or any other low index material having an index of refraction of about 1.65 or less. For example, organic monomers and polymers can be
5 utilized as low index materials, including dienes or alkenes such as acrylates (*e.g.*, methacrylate), perfluoroalkenes, polytetrafluoroethylene (Teflon), fluorinated ethylene propylene (FEP), combinations thereof, and the like.

The reflector layer 22 is formed on dielectric layer 20 by a conventional deposition process such as PVD, sputtering, or the like. The reflector layer 22 is formed to have a
10 suitable thickness of about 300-1000 Å, and preferably a thickness of about 500-1000 Å. The reflector layer 22 is preferably composed of an opaque, highly reflective metal such as aluminum, silver, copper, gold, platinum, niobium, tin, combinations and alloys thereof, and the like, depending on the color effects desired. It should be appreciated that semi-opaque metals such as grey metals become opaque at approximately 350-400 Å. Thus,
15 metals such as chromium, nickel, titanium, vanadium, cobalt, and palladium, or cobalt-nickel alloys (which would be magnetic), could also be used at an appropriate thickness for reflector layer 22.

In addition, reflector layer 22 can be composed of a magnetic material such as a cobalt-nickel alloy, or can be formed of a semitransparent material, to provide for machine
20 readability for security verification. For example, machine readable information may be placed on a backing underlying the optical coating, such as personal identification numbers (PINS), account information, business identification of source, warranty information, or the like. In an alternative embodiment, reflector layer 22 can be segmented to allow for partial viewing of underlying information either visually or through
25 the use of various optical, electronic, magnetic, or other detector devices. This allows for detection of information below optical coating 16, except in those locations where reflector segments are located, thereby enhancing the difficulty in producing counterfeits. Additionally, since the reflector layer is segmented in a controlled manner, the specific information prevented from being read is controlled, providing enhanced protection from
30 forgery or alteration.

By using an absorber/dielectric/reflector design for color shifting optical coating 16, such as shown in Figure 1A, high chroma variable color effects are achieved that are noticeable to the human eye. Thus, an object having security article 10 applied thereto will change color depending upon variations in the viewing angle or the angle of the object
35

relative to the viewing eye. As a result, the variation in colors with viewing angle increases the difficulty to forge or counterfeit security article 10. By way of example, the color-shifts that can be achieved utilizing color shifting optical coating 16 in accordance with the present invention include, but are not limited to, gold-to-green, green-to-magenta, blue-to-red, green-to-silver, magenta-to-silver, magenta-to-gold, etc.

The color shifting properties of optical coating 16 can be controlled through proper design of the layers thereof. Desired effects can be achieved through the variation of parameters such as thickness of the layers and the index of refraction of each layer. The changes in perceived color which occur for different viewing angles or angles of incident light are a result of a combination of selective absorption of the materials comprising the layers and wavelength dependent interference effects. The interference effects, which arise from the superposition of the light waves that have undergone multiple reflections and transmissions within the multilayered structure, are responsible for the shifts in perceived color with different angles.

Figure 1B depicts a security article 30 according to an alternative embodiment of the present invention. The security article 30 includes elements similar to those discussed above with respect to security article 10, including a light transmissive substrate 14 formed with an optical interference pattern on a surface thereof, and a color shifting optical coating 16 that is a multilayer film. The optical coating 16 is formed, however, on the same side as the interference pattern on substrate 14 by conventional deposition processes. The optical coating 16 includes an absorber layer 18 on the interference pattern, a dielectric layer 20 on absorber layer 18, and a reflector layer 22 on dielectric layer 20. As shown in Figure 1B, each of these layers formed on substrate 14 conforms to the shape of the interference pattern such as a holographic image.

Figure 2A depicts a security article 40 according to another embodiment of the present invention. The security article 40 includes elements similar to those discussed above with respect to security article 10, including a light transmissive substrate 14 formed with an optical interference pattern 15 on an outer first surface thereof, and a color shifting optical coating 16 formed on an opposing second surface of substrate 14. The optical coating 16 is a multilayer film that includes an absorber layer 18 and a dielectric layer 20 thereon, but does not include the reflector layer. This allows optical coating 16 to be transparent to light incident upon the surface thereof, thereby providing for visual verification or machine readability of information below optical coating 16 on a carrier substrate (not shown).

Figure 2B depicts a security article 50 according to an alternative embodiment of the present invention. The security article 50 includes elements similar to those discussed above

5 with respect to security article 40, including a light transmissive substrate 14 formed with an optical interference pattern on a surface thereof, and a color shifting optical coating 16 that is a multilayer film. The optical coating 16 is formed, however, on the same side as the interference pattern on substrate 14 by conventional deposition processes. The optical coating 16 includes an absorber layer 18 on the interference pattern, and a dielectric layer 20 on absorber layer 18. This allows optical coating 16 to be transparent to light incident upon the surface thereof, providing for visual verification or machine readability of information on a carrier substrate.

Figure 3 depicts a security article 60 according to a further embodiment of the present invention. The security article 60 includes elements similar to those discussed above with respect to security article 10, including a light transmissive substrate 14 formed with an optical interference pattern 15 on an outer first surface thereof, and a color shifting optical coating 26 applied to an opposing second surface of substrate 14. The color shifting optical coating 26 is formed from a layer of color shifting ink or paint that includes a polymeric medium interspersed with a plurality of optical interference flakes having color shifting properties.

20 The color shifting flakes of optical coating 26 are formed from a multilayer thin film structure that includes the same basic layers as described above for the optical coating 16 of security article 10. These include an absorber layer, a dielectric layer, and optionally a reflector layer, all of which can be composed of the same materials discussed above in relation to the layers of optical coating 16. The flakes can be formed to have a symmetrical multilayer thin film structure, such as absorber/dielectric/reflector/dielectric/absorber, or absorber/dielectric/absorber. Alternatively, the flakes can have a nonsymmetrical structure, such as absorber/dielectric/reflector. The flakes are formed so that a dimension on any surface thereof ranges from about 2 to about 200 microns.

30 Typically, the multilayer thin film structure is formed on a flexible web material with a release layer thereon. The various layers are deposited on the web by methods well known in the art of forming thin coating structures, such as PVD, sputtering, or the like. The multilayer thin film structure is then removed from the web material as thin film flakes, which can be added to a polymeric medium such as various pigment vehicles for

use as an ink or paint. In addition to the flakes, additives can be added to the inks or paints to obtain desired color shifting results. These additives include lamellar pigments such as aluminum flakes, graphite, mica flakes, and the like, as well as non-lamellar pigments such as aluminum powder, carbon black, and other colorants such as organic and inorganic pigments, and colored dyes.

Suitable embodiments of the flake structure are disclosed in a copending application Serial Number 09/198,733, filed on November 24, 1998, and entitled "Color Shifting Thin Film Pigments," which is incorporated herein by reference. Other suitable embodiments of color shifting or optically variable flakes which can be used in paints or inks for application in the present invention are described in U.S. Patent Nos. 5,135,812, 5,171,363, 5,278,590, 5,084,351, 4,838,648, and 4,168,983, the disclosures of which are incorporated herein by reference.

For example, U.S. Patent No. 5,135,812 discloses a symmetrical optical multilayer film which is composed either of transparent all-dielectric stacks, or transparent dielectric and semi-transparent metallic layered stacks. In the case of an all-dielectric stack, the optical coating is made of alternating layers of high and low index of refraction materials. In U.S. Patent No. 5,278,590 to Phillips et al., a symmetrical three-layer optical interference coating which can be formed into flakes is disclosed and includes first and second partially transmitting absorber layers that have essentially the same composition and thickness, with a dielectric spacer layer located between the first and second absorber layers. The dielectric layer is composed of a material having a low index of refraction such as magnesium fluoride.

The color shifting ink or paint utilized to form optical coating 26 on security device 60 can be applied by conventional coating devices and methods known to those skilled in the art. These include, for example, various printing methods such as silk screen, intaglio, gravure or flexographic methods, and the like. Alternatively, optical coating 26 can be formed on security device 60 by coextruding a polymeric material containing color shifting flakes, with the plastic material used to form substrate 14 having interference pattern 15.

Figure 4 depicts a security article 70 according to another embodiment of the present invention. The security article 70 includes a light transmissive substrate 14 formed with an optical interference pattern 15 on an outer surface thereof. A color shifting pigment is dispersed within substrate 14 and comprises a plurality of multilayer optical interference flakes, such as those described above with respect to security article 40. The flakes are dispersed within the material that forms substrate 14 prior to formation thereof.

Preferably, the flakes are oriented so that they lie parallel to the planar back surface of substrate 14 opposite from the outer surface thereof in order to provide maximum color shifting effects.

The various security articles as described above can be used in a variety of applications to provide for enhanced security measures such as anticounterfeiting. The security articles can be utilized in the form of a label, tag, ribbon, security thread, tape, and the like, for application in a variety of objects such as security documents, monetary currency, credit cards, merchandise packaging, license cards, negotiable notes, bank bonds, paper, plastic, or glass products, or other similar objects.

The security articles of the invention can be transferred and attached to various objects by a variety of conventional processes. For example, the security articles can be applied to an object by use of a release layer. Figure 5 shows security article 10 with a release layer 62 formed on substrate 14. The release layer 62 is of a suitable type to allow security article 10 to be removed therefrom during the application process, such as by a hot-stamping process. The release layer 62 may be a polymeric material such as polyvinyl chloride, polystyrene, chlorinated rubber, acrylonitrile-butadiene-styrene copolymer, nitrocellulose, methyl methacrylate, acrylic copolymers, fatty acids, waxes, gums, gels, and mixtures thereof. The release layer is coupled to a carrier structure 64, which can be part of various manufacturing belts or other processing structures that assist in transferring security article 10 to the final structural element.

As shown in Figure 6, the release layer is removed when security article 10 has been applied to an object such as by hot-stamping, and the security article is coupled to a carrier substrate 66 by way of an adhesive layer 68. The carrier substrate 66 may take the form of the final structural object to which security article 10 is to be bonded, such as those objects discussed above. The materials forming carrier substrate 66 can be selected from plastics, cellulose, composites, polyester films, PET sheets, mylar sheets, cellophane, polypropylene, paper, rag/cotton, combinations thereof, and the like. The material of adhesive layer 68 can be selected from acrylic-based polymers, UV activated adhesives, ethylene vinyl acetate, polyamides, and the like.

Figures 7-8 depict the method and final structure of affixing a security article, such as security article 30, to a carrier substrate 66 through a hot-stamping process. Figure 7 shows security article 30 with a release layer 62 formed on one side of a light transmissive substrate 24, such as an acrylic coating with an interference pattern formed thereon. The substrate 24 may be composed of other materials such as those discussed above relative to substrate 14, including polystyrene, polyacrylonitrile, polyvinyl chloride, and the like.

The release layer 62 is formed on the side opposite from optical coating 16 on the interference pattern, and is attached to a carrier structure 64. The release layer 62 allows security article 30, including substrate 24, absorber layer 18, dielectric layer 20, and reflector layer 22, to be released from carrier structure 64 during the hot-stamping process. Generally, carrier structure 64 can be composed of various materials with various thicknesses which are known by those skilled in the art. For example, when carrier structure 64 is formed of PET, the thickness preferably ranges from about 10 μm to about 75 μm . Other materials and thickness ranges are applicable in light of the teachings contained herein. Furthermore, the thickness of light transmissive substrate 24, when taking the form of an acrylic material, can range from about 3 μm to about 20 μm with an embossed surface. Generally, substrate 24 should have a lower melting point or glass transition temperature than the optical coating, while being transparent.

Prior to hot-stamping, an adhesive layer 68 is formed on reflector layer 22, with the adhesive layer having a thickness of about 2 μm to about 20 μm . As shown in Figure 8, the release layer and carrier structure are removed when security article 30 has been applied to an object such as a carrier substrate 66 by hot-stamping, with security article 30 being coupled to carrier substrate 66 by way of adhesive layer 68. The bonding of adhesive layer 68 against carrier substrate 66 occurs as a heated metal stamp (not shown) comes into contact with carrier structure 64. The heated metal stamp simultaneously forces adhesive layer 68 against carrier substrate 66 while heating adhesive layer 68 to more effectively bond to carrier substrate 66. Furthermore, the heated metal stamp softens release layer 62 thereby aiding in releasing security article 30 from carrier structure 64 which is subsequently discarded. Once security article 30 has been attached to carrier substrate 66, the image produced by security article 30 is viewed from substrate 24 toward optical coating 16.

The following examples are given to illustrate the present invention, and are not intended to limit the scope of the invention.

Example 1

Optical coatings composed of color shifting flakes in a polymeric vehicle were formed by a drawdown process on light transmissive substrates composed of PET films containing a holographic image. The drawdown vehicle included two parts lacquer/catalyst and one part color shifting flakes. The color shifting flakes utilized had color shifting properties of green-to-magenta, blue-to-red, and magenta-to-gold.

Example 2

A color shifting optical coating having a three-layer design was formed on an embossed transparent film to produce a security article. The optical coating was formed on the flat surface of the transparent film on the side opposite from the embossed surface. The optical coating was formed by depositing an absorber layer composed of chromium on the flat surface of the transparent film, depositing a dielectric layer composed of magnesium fluoride on the absorber layer, and depositing a reflector layer of aluminum on the dielectric layer.

Alternatively, the aluminum layer can be deposited so that it is transparent. This would allow printed information on an object to be read underneath the optical coating. Further, the reflector layer can alternatively be composed of a magnetic material. Such a magnetic feature in the color shifting component when added to the holographic component would give three independent security features to the security article.

The embossed film and optical coating forming the security article can be rigidly affixed to a carrier substrate, or can be attached to a release layer so that the security article can be hot stamped to a surface of an object. In addition, the hot stamped image of the color shifting thin film can be in the form of a pattern, as for example, dots, lines, logos, or other images. This pattern of optically variable effects will add an even greater degree of deterrence to counterfeiting.

The present invention may be embodied in other specific forms without departing from its spirit or essential characteristics. The described embodiments are to be considered in all respects only as illustrative and not restrictive. The scope of the invention is, therefore, indicated by the appended claims rather than by the foregoing description. All changes which come within the meaning and range of equivalency of the claims are to be embraced within their scope.

What is claimed is:

1. A security article comprising:
 - a light transmissive substrate having a first surface and an opposing second surface, the first surface having an optical interference pattern; and
 - a color shifting optical coating on the second surface of the substrate, the optical coating providing an observable color shift as the angle of incident light or viewing angle changes.
2. The security article of claim 1, wherein the substrate is composed of a plastic material.
3. The security article of claim 2, wherein the plastic material is selected from the group consisting of polyethylene terephthalate, polycarbonate, polyvinyl chloride, polyacrylates, polyacrylonitrile, polystyrene, polypropylene, polynaphthalene terephthalate, and mixtures or copolymers thereof.
4. The security article of claim 1, wherein the optical interference pattern is a diffraction grating pattern or a holographic image pattern.
5. The security article of claim 1, wherein the color shifting optical coating is a multilayer optical interference film including an absorber layer on the second surface of the substrate, and a dielectric layer on the absorber layer.
6. The security article of claim 1, wherein the color shifting optical coating is a multilayer optical interference film including an absorber layer on the second surface of the substrate, a dielectric layer on the absorber layer, and a reflector layer on the dielectric layer.
7. The security article of claim 1, wherein the color shifting optical coating comprises a plurality of multilayer optical interference flakes dispersed in a polymeric medium.
8. The security article of claim 1, further comprising a release layer on the substrate.
9. A security article comprising:
 - a light transmissive substrate having a first surface and an opposing second surface, the first surface having a diffraction grating pattern or a holographic image pattern; and
 - a color shifting multilayer optical film on the second surface of the substrate, the optical film comprising:
 - an absorber layer on the second surface of the substrate;
 - a dielectric layer on the absorber layer; and
 - a reflector layer on the dielectric layer;

wherein the optical film coating provides an observable color shift as the angle of incident light or viewing angle changes.

10. The security article of claim 9, wherein the absorber layer comprises a material selected from the group consisting of chromium, nickel, palladium, titanium,
5 vanadium, cobalt, iron, tungsten, molybdenum, niobium, ferric oxide, carbon, and combinations or alloys thereof.

11. The security article of claim 9, wherein the absorber layer has a physical thickness of about 30 Å to about 150 Å.

12. The security article of claim 9, wherein the dielectric layer has an index of
10 refraction of about 1.65 or less.

13. The security article of claim 12, wherein the dielectric layer comprises a material selected from the group consisting of silicon dioxide, aluminum oxide, magnesium fluoride, aluminum fluoride, cerium fluoride, lanthanum fluoride, sodium aluminum fluorides, neodymium fluoride, samarium fluoride, barium fluoride, calcium
15 fluoride, lithium fluoride, and combinations thereof.

14. The security article of claim 9, wherein the dielectric layer is composed of an organic material.

15. The security article of claim 9, wherein the dielectric layer comprises a material selected from the group consisting of acrylates, perfluoroalkenes,
20 polytetrafluoroethylene, fluorinated ethylene propylene, and combinations thereof.

16. The security article of claim 9, wherein the dielectric layer has an index of refraction of greater than about 1.65.

17. The security article of claim 16, wherein the dielectric layer comprises a material selected from the group consisting of zinc sulfide, zinc oxide, zirconium oxide,
25 titanium dioxide, carbon, indium oxide, indium-tin-oxide, tantalum pentoxide, ceric oxide, yttrium oxide, europium oxide, iron oxides, hafnium nitride, hafnium carbide, hafnium oxide, lanthanum oxide, magnesium oxide, neodymium oxide, praseodymium oxide, samarium oxide, antimony trioxide, silicon carbide, silicon nitride, silicon monoxide, selenium trioxide, tin oxide, tungsten trioxide, and combinations thereof.

18. The security article of claim 9, wherein the dielectric layer has an optical thickness in a range from about 2 QWOT at a design wavelength of about 400 nm to about 9 QWOT at a design wavelength of about 700 nm.
30

19. The security article of claim 9, wherein the reflector layer comprises a material selected from the group consisting of aluminum, silver, copper, gold, platinum,
35 palladium, nickel, cobalt, tin, niobium, chromium, and combinations or alloys thereof.

20. The security article of claim 9, wherein the reflector layer is composed of a magnetic material.

21. The security article of claim 20, wherein the magnetic material comprises a cobalt-nickel alloy.

5 22. The security article of claim 9, wherein the reflector layer has a physical thickness of about 300 Å to about 1000 Å.

23. A security article comprising:

10 a light transmissive substrate having a first surface and an opposing second surface, the first surface having a diffraction grating pattern or a holographic image pattern; and

a color shifting optical coating on the second surface of the substrate, the optical coating including a polymeric medium and a plurality of color shifting multilayer optical interference flakes dispersed in the polymeric medium, each of the interference flakes comprising at least an absorber layer and a dielectric layer; wherein the optical coating provides an observable color shift as the angle of incident light or viewing angle changes.

15 24. The security article of claim 23, wherein each of the flakes has a dimension on any surface thereof ranging from about 2 to about 200 microns.

20 25. The security article of claim 23, wherein each of the flakes further comprises a reflector layer.

26. A security article comprising:

25 a light transmissive substrate having a first surface and an opposing second surface, the first surface having a diffraction grating pattern or a holographic image pattern; and

a color shifting pigment dispersed within the substrate and comprising a plurality of multilayer optical interference flakes, each of the interference flakes comprising at least an absorber layer and a dielectric layer, the pigment providing an observable color shift as the angle of incident light or viewing angle changes.

30 27. The security article of claim 26, wherein each of the flakes has a dimension on any surface thereof ranging from about 2 to about 200 microns.

28. The security article of claim 26, wherein each of the flakes further comprises a reflector layer.

35 29. A method of forming a security article, comprising the steps of:

providing a light transmissive substrate having a first surface and an opposing second surface, the first surface having an optical interference pattern; and

5 forming a color shifting optical coating on the second surface of the substrate, the optical coating providing an observable color shift as the angle of incident light or viewing angle changes.

30. The method of claim 29, wherein the substrate is composed of a plastic material.

10 31. The method of claim 30, wherein the plastic material is selected from the group consisting of polyethylene terephthalate, polycarbonate, polyvinyl chloride, polyacrylates, polyacrylonitrile, polystyrene, polypropylene, polynaphthalene terephthalate, and mixtures or copolymers thereof.

15 32. The method of claim 29, wherein the optical interference pattern is formed by embossing a diffraction grating pattern or a holographic image pattern on the first surface of the substrate.

33. The method of claim 29, wherein the color shifting optical coating is formed by depositing an absorber layer on the second surface of the substrate, and depositing a dielectric layer on the absorber layer.

20 34. The method of claim 33, further comprising the step of depositing a reflector layer on the dielectric layer.

35. The method of claim 34, wherein the absorber layer, the dielectric layer, and the reflector layer are each deposited by physical vapor deposition.

25 36. The method of claim 29, wherein the color shifting optical coating is formed by applying a color shifting ink comprising a plurality of multilayer optical interference flakes dispersed in a polymeric medium to the second surface of the substrate.

37. The method of claim 29, wherein the color shifting optical coating is formed on the second surface of the substrate by coextruding a color shifting material, comprising a plurality of multilayer optical interference flakes dispersed in a polymeric medium, with a material forming the substrate.

30 38. The method of claim 29, further comprising the step of forming a release layer on the substrate.

39. The method of claim 38, further comprising the step of hot stamping the security article to an object.

35 40. The method of claim 29, further comprising the step of attaching the security article to an object.

41. The method of claim 40, wherein the object is selected from the group consisting of security documents, monetary currency, credit cards, and merchandise packaging.

42. A security article comprising:

5 a light transmissive substrate having a first surface and an opposing second surface, the first surface having a diffraction grating pattern or a holographic image pattern; and

a color shifting multilayer optical film on the first surface of the substrate, the optical film comprising:

10 an absorber layer on the first surface of the substrate; and

a dielectric layer on the absorber layer;

wherein the optical film provides an observable color shift as the angle of incident light or viewing angle changes

15 43. The security article of claim 42, wherein the substrate is composed of a plastic material.

44. The security article of claim 42, wherein the optical film further comprises a reflector layer on the dielectric layer.

20 45. The security article of claim 42, wherein the absorber layer comprises a material selected from the group consisting of chromium, nickel, palladium, titanium, vanadium, cobalt, iron, tungsten, molybdenum, niobium, ferric oxide, carbon, and combinations or alloys thereof.

25 46. The security article of claim 42, wherein the dielectric layer comprises a material selected from the group consisting of silicon dioxide, aluminum oxide, magnesium fluoride, aluminum fluoride, cerium fluoride, lanthanum fluoride, sodium aluminum fluorides, neodymium fluoride, samarium fluoride, barium fluoride, calcium fluoride, lithium fluoride, and combinations thereof.

47. The security article of claim 42, wherein the dielectric layer is composed of an organic material.

30 48. The security article of claim 42, wherein the dielectric layer comprises a material selected from the group consisting of zinc sulfide, zinc oxide, zirconium oxide, titanium dioxide, carbon, indium oxide, indium-tin-oxide, tantalum pentoxide, ceric oxide, yttrium oxide, europium oxide, iron oxides, hafnium nitride, hafnium carbide, hafnium oxide, lanthanum oxide, magnesium oxide, neodymium oxide, praseodymium oxide, samarium oxide, antimony trioxide, silicon carbide, silicon nitride, silicon monoxide, 35 selenium trioxide, tin oxide, tungsten trioxide, and combinations thereof.

49. The security article of claim 44, wherein the reflector layer comprises a material selected from the group consisting of aluminum, silver, copper, gold, platinum, palladium, nickel, cobalt, tin, niobium, chromium, and combinations or alloys thereof.

50. The security article of claim 44, wherein the reflector layer is composed
5 of a magnetic material.

51. The security article of claim 42, further comprising a release layer on the second surface of the substrate.

52. The security article of claim 42, further comprising an adhesive layer on
10 the optical film.

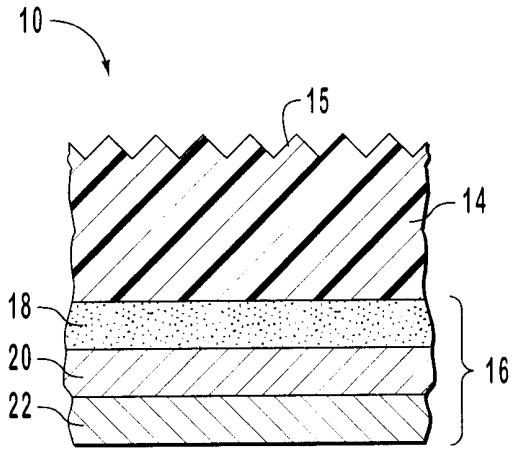


FIG. 1A

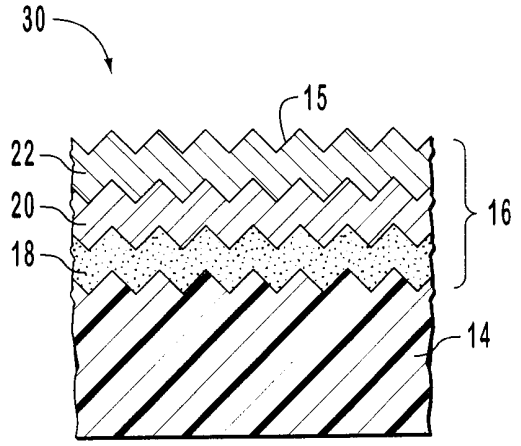


FIG. 1B

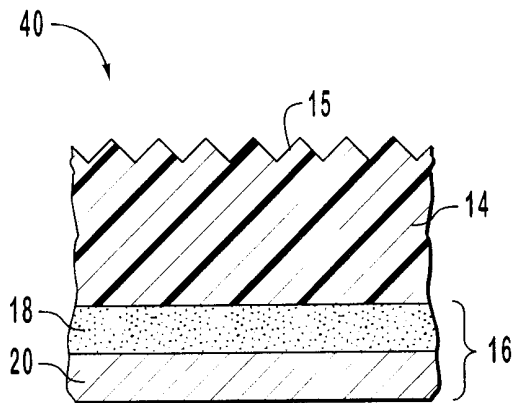


FIG. 2A

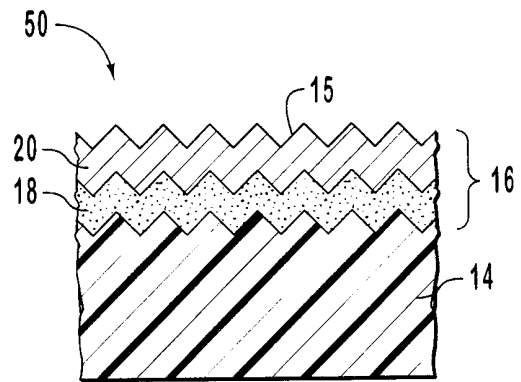


FIG. 2B

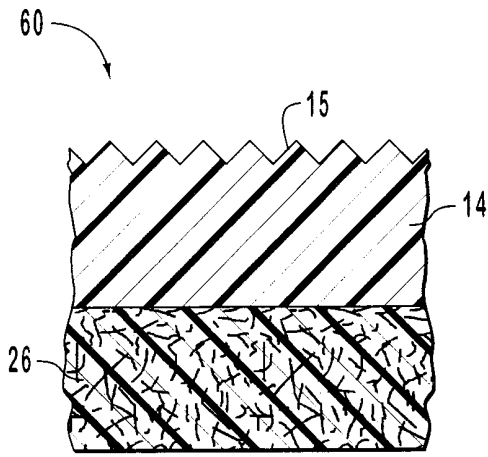


FIG. 3

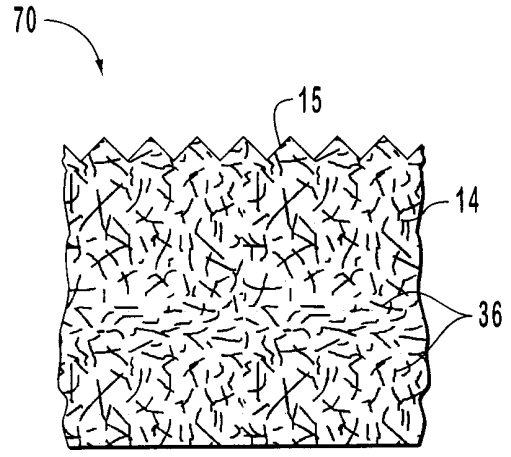


FIG. 4

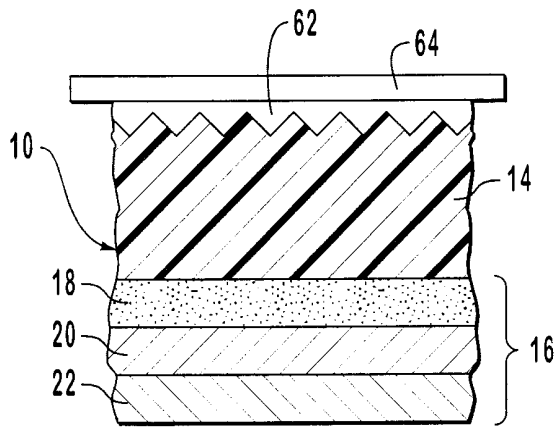


FIG. 5

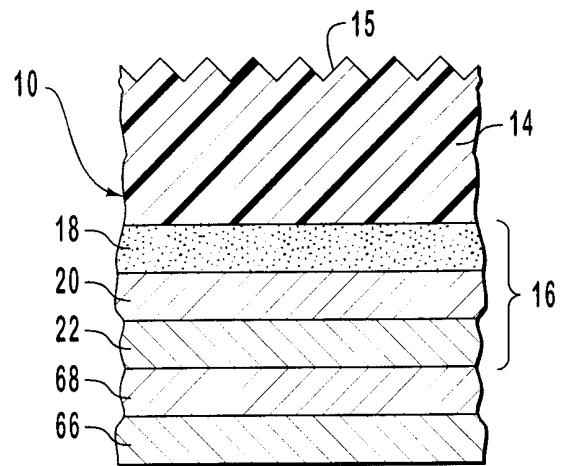


FIG. 6

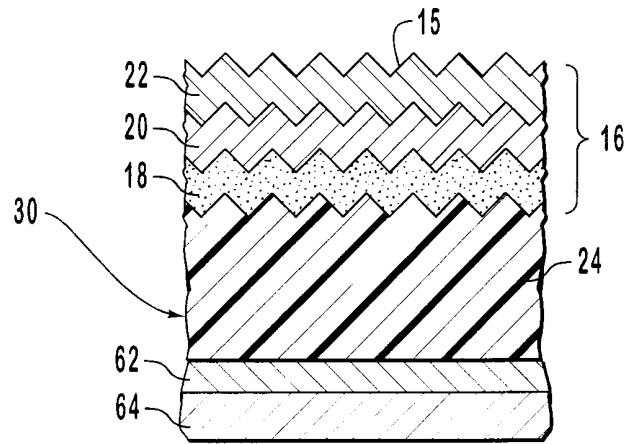


FIG. 7

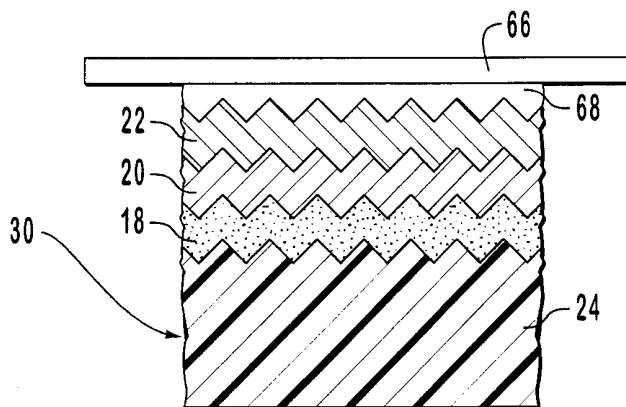


FIG. 8

INTERNATIONAL SEARCH REPORT

International Application No

PCT/US 00/10985

A. CLASSIFICATION OF SUBJECT MATTER
IPC 7 B42D15/10

According to International Patent Classification (IPC) or to both national classification and IPC

B. FIELDS SEARCHED

Minimum documentation searched (classification system followed by classification symbols)

IPC 7 B42D G06K

Documentation searched other than minimum documentation to the extent that such documents are included in the fields searched

Electronic data base consulted during the international search (name of data base and, where practical, search terms used)

EPO-Internal, PAJ, WPI Data

C. DOCUMENTS CONSIDERED TO BE RELEVANT

| Category * | Citation of document, with indication, where appropriate, of the relevant passages | Relevant to claim No. |
|------------|--|-----------------------|
| A | US 4 155 627 A (GALE ET AL) 22 May 1979 (1979-05-22) column 4, line 4 -column 10, line 67; figures 1-4 ----- | 1,9,23, 26,29,42 |

Further documents are listed in the continuation of box C.

Patent family members are listed in annex.

* Special categories of cited documents :

- "A" document defining the general state of the art which is not considered to be of particular relevance
- "E" earlier document but published on or after the international filing date
- "L" document which may throw doubts on priority claim(s) or which is cited to establish the publication date of another citation or other special reason (as specified)
- "O" document referring to an oral disclosure, use, exhibition or other means
- "P" document published prior to the international filing date but later than the priority date claimed

- "T" later document published after the international filing date or priority date and not in conflict with the application but cited to understand the principle or theory underlying the invention
- "X" document of particular relevance; the claimed invention cannot be considered novel or cannot be considered to involve an inventive step when the document is taken alone
- "Y" document of particular relevance; the claimed invention cannot be considered to involve an inventive step when the document is combined with one or more other such documents, such combination being obvious to a person skilled in the art.
- "&" document member of the same patent family

Date of the actual completion of the international search

23 August 2000

Date of mailing of the international search report

31/08/2000

Name and mailing address of the ISA

European Patent Office, P.B. 5818 Patentlaan 2
 NL - 2280 HV Rijswijk
 Tel. (+31-70) 340-2040, Tx. 31 651 epo nl,
 Fax: (+31-70) 340-3016

Authorized officer

Evans, A

INTERNATIONAL SEARCH REPORT

Information on patent family members

International Application No

PCT/US 00/10985

| Patent document cited in search report | Publication date | Patent family member(s) | Publication date |
|--|------------------|-------------------------|------------------|
| US 4155627 A | 22-05-1979 | NONE | |