



US00D536435S

(12) **United States Design Patent**
Tinen

(10) **Patent No.:** **US D536,435 S**

(45) **Date of Patent:** **** Feb. 6, 2007**

(54) **COMBINATION CEILING FAN AND LIGHT FIXTURE**

(75) Inventor: **William J. Tinen**, Trabuco Canyon, CA (US)

(73) Assignee: **Minka Lighting, Inc.**, Corona, CA (US)

(**) Term: **14 Years**

(21) Appl. No.: **29/215,907**

(22) Filed: **Oct. 26, 2004**

(51) **LOC (8) CL.** **23-04**

(52) **U.S. CL.** **D23/377; D23/379; D26/59**

(58) **Field of Classification Search** **D23/377, D23/379, 385, 411, 413; 416/5; D26/59, D26/81-88, 72; 362/96**

See application file for complete search history.

(56) **References Cited**

U.S. PATENT DOCUMENTS

D481,453 S 10/2003 Dye
D485,348 S * 1/2004 Stauffer D23/411
D508,736 S * 8/2005 Hidalgo D23/377

OTHER PUBLICATIONS

U.S. Appl. No. 29/215,841, William J. Tinen.
U.S. Appl. No. 29/215,854, William J. Tinen.
U.S. Appl. No. 29/215,859, William J. Tinen.
U.S. Appl. No. 29/215,908, William J. Tinen.
U.S. Appl. No. 29/215,909, William J. Tinen.
The Art of Air Management—MinkaAire 2004; Minka Light-
ing Inc., U.S.A.; Jan. 2004; Taos Model; p. 32.

2003 New Products January Update; Craftmade International, Inc.; Jan. 2003; Frontier Model; p. 2.
Casablanca Internet Catalog; The Wilderness, Model # 89U89M; printed from www.ceilingfan.com; Aug. 30, 2004; The Wilderness Model; Casablanca Fan Company.
Casablanca Fan Company Internet Catalog, The Wilderness Collection, printed from www.casablancafanco.com on Sep. 6, 2005.

* cited by examiner

Primary Examiner—Lisa Lichtenstein

(74) *Attorney, Agent, or Firm*—Baker & McKenzie LLP

(57) **CLAIM**

The ornamental design for a combination ceiling fan and light fixture, as shown and described.

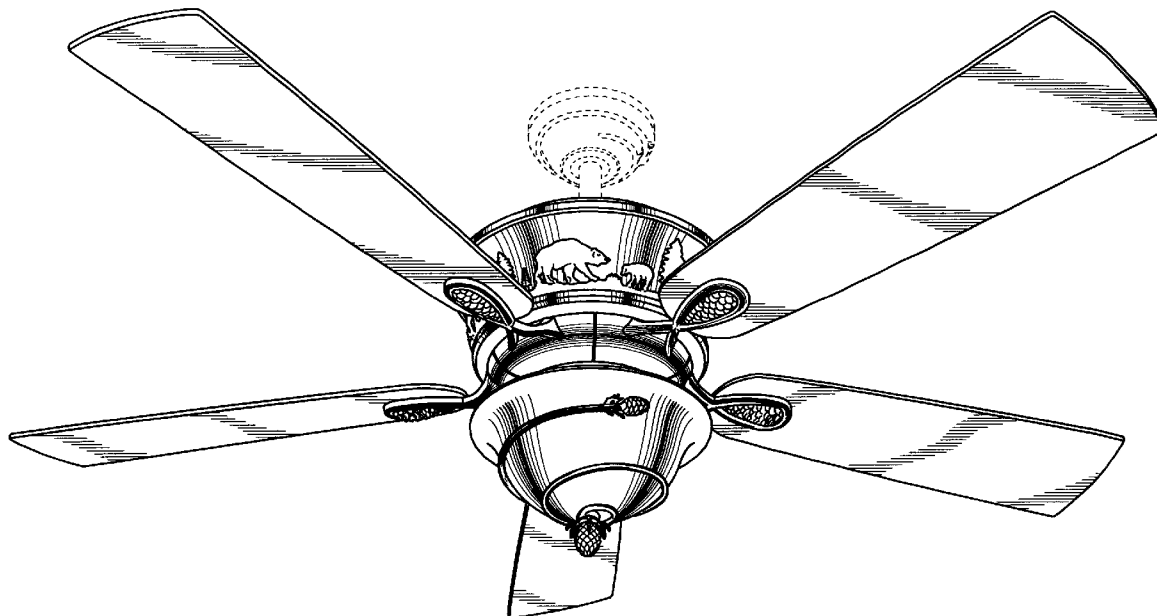
DESCRIPTION

FIG. 1 is a perspective view from below of a combination ceiling fan and light fixture in accordance with my design; FIG. 2 is an enlarged perspective view from below of the combination ceiling fan and light fixture in accordance with my design;

FIG. 3 is a reduced bottom plan view of the combination ceiling fan and light fixture in accordance with my design; FIG. 4 is a reduced top plan view of the combination ceiling fan and light fixture in accordance with my design; and, FIG. 5 is a front elevation view of the combination ceiling fan and light fixture in accordance with my design.

The broken lines showing environmental structure are for illustrative purposes and form no part of the claimed design. In FIG. 2, the fan blades are shown broken away to indicate indeterminate length.

1 Claim, 5 Drawing Sheets



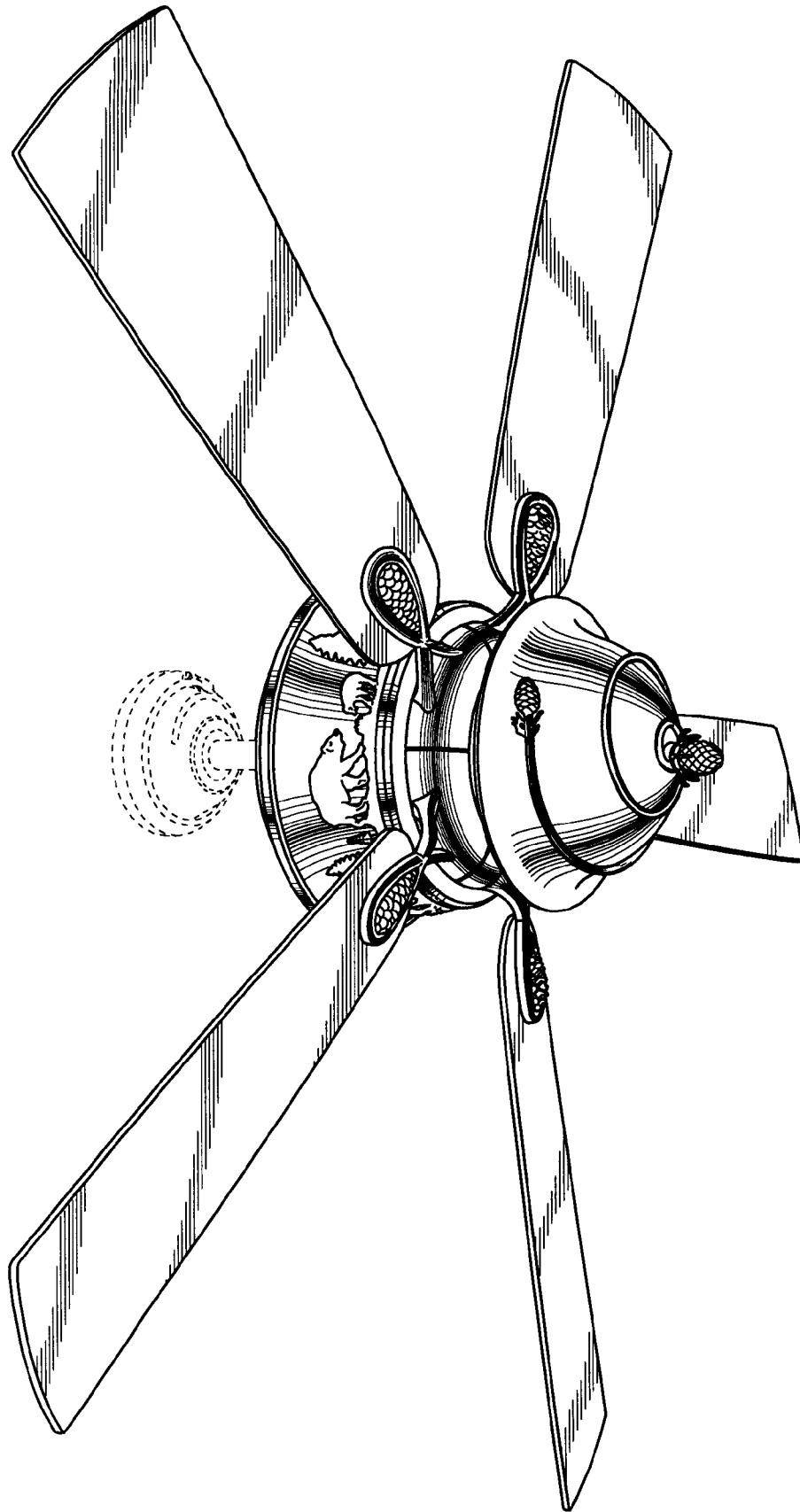


Fig.1

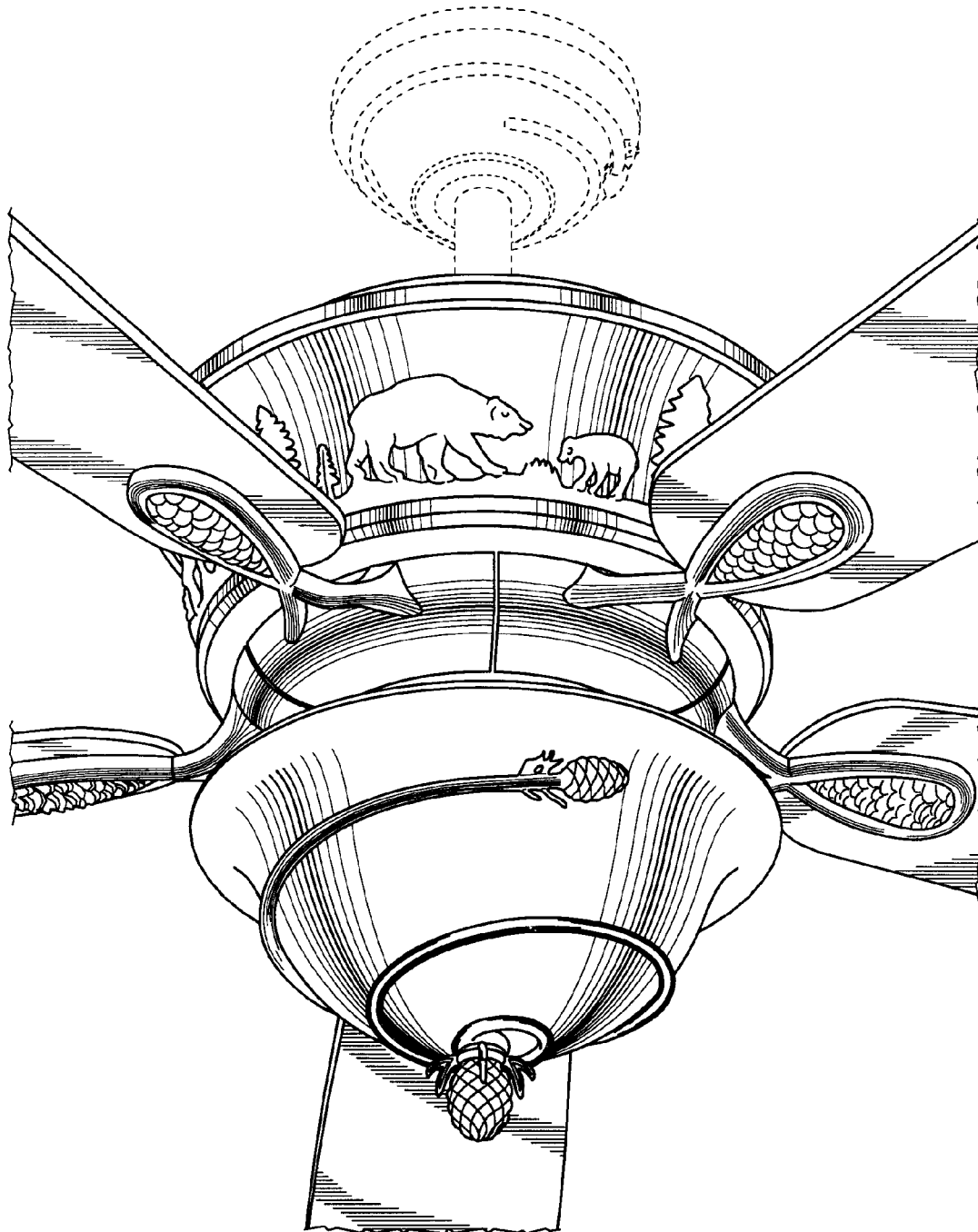


Fig.2

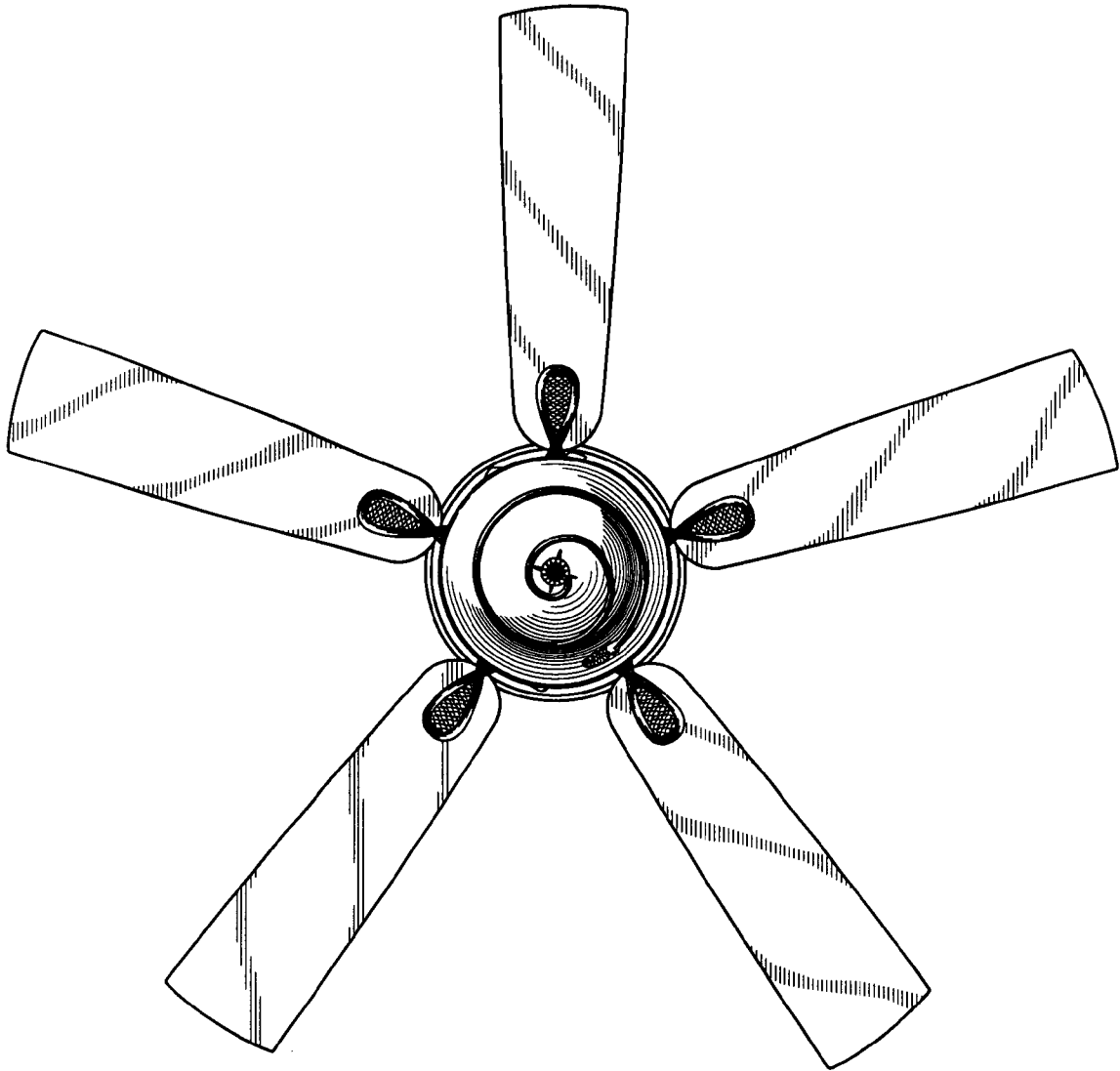


Fig.3

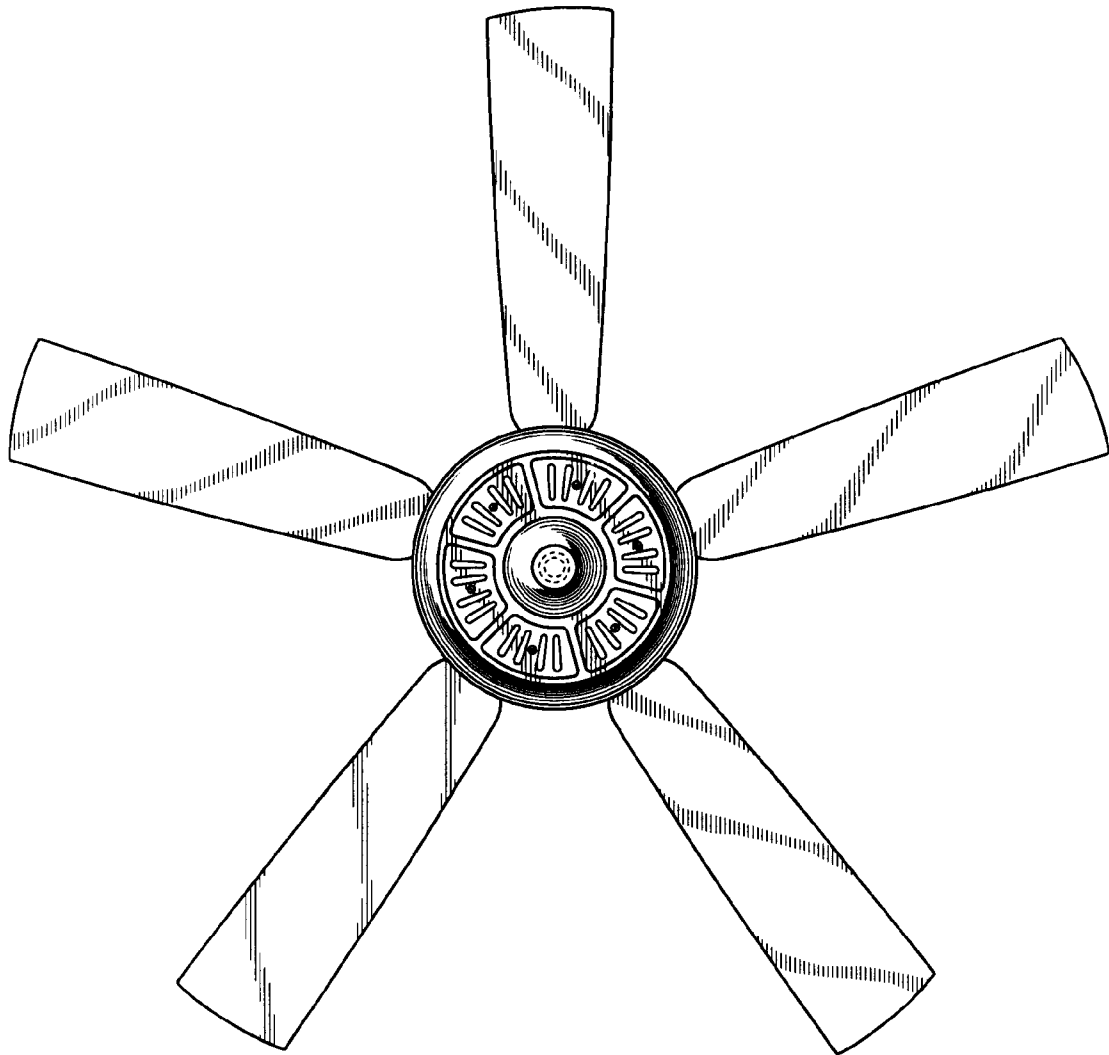


Fig.4

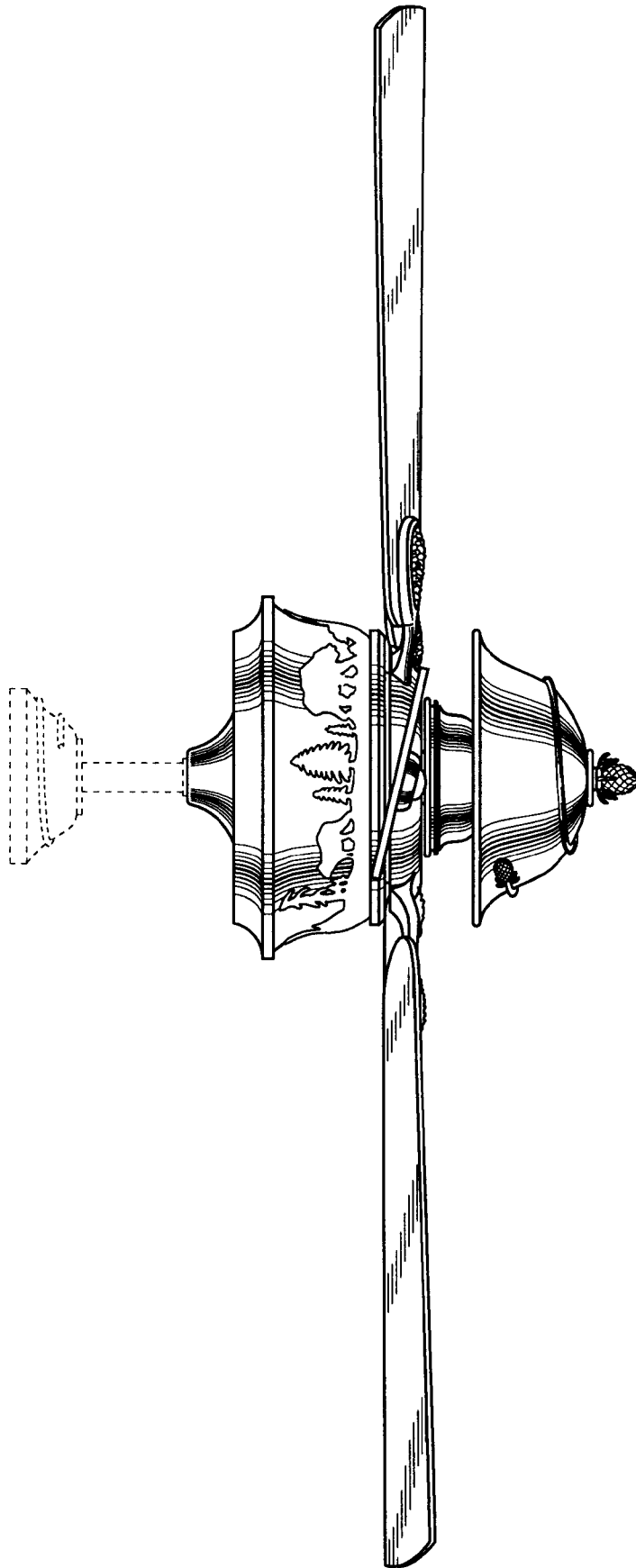


Fig. 5