



US0D1043697S

(12) **United States Design Patent**  
**Ma**

(10) **Patent No.:** **US D1,043,697 S**

(45) **Date of Patent:** **\*\* Sep. 24, 2024**

(54) **CASE FOR PORTABLE COMPUTER**

(71) Applicant: **Ruoqiong Ma**, Shantou (CN)

(72) Inventor: **Ruoqiong Ma**, Shantou (CN)

(\*\*) Term: **15 Years**

(21) Appl. No.: **29/888,336**

(22) Filed: **Mar. 30, 2023**

(51) **LOC (14) Cl.** ..... **14-02**

(52) **U.S. Cl.**

USPC ..... **D14/440**

(58) **Field of Classification Search**

USPC ..... D14/440, 447, 250, 38, 345, 353, 217,  
D14/251, 252, 253; D10/70, 132;  
D11/26, 29, 34, 37, 38  
CPC . A45C 11/00; A45C 2011/002; H04B 1/3888;  
H04M 1/04; H04M 1/06; G08B 21/02;  
G08B 25/009; G06F 3/014; G06F 3/0202;  
G06F 1/1628; G06F 1/1626; A63F 13/24;  
A47B 23/044

See application file for complete search history.

(56) **References Cited**

**U.S. PATENT DOCUMENTS**

D701,211 S *	3/2014	Ng	D14/440
D724,594 S *	3/2015	Venida	D14/440
D807,366 S *	1/2018	Chen	D14/440
D808,395 S *	1/2018	Fenton	D14/440
D835,088 S *	12/2018	Zhuang	D14/440
D850,456 S *	6/2019	Armstrong	D14/440
D852,802 S *	7/2019	Gao	D14/440
D879,788 S *	3/2020	Gao	D14/440
D883,987 S *	5/2020	Cheng	D14/440
D898,036 S *	10/2020	Cheng	D14/440
D917,491 S *	4/2021	Cheng	D14/440
D920,982 S *	6/2021	Xu	D14/440
D925,543 S *	7/2021	Ma	D14/440
D942,456 S *	2/2022	Liao	D14/440

D961,598 S *	8/2022	Wang	D14/440
D962,949 S *	9/2022	Xu	D14/440
D964,373 S *	9/2022	Zhou	D14/440

(Continued)

**FOREIGN PATENT DOCUMENTS**

CN	307185218	*	3/2022
CN	307502836	*	8/2022

(Continued)

**OTHER PUBLICATIONS**

Grifobes, “. . . all new kindle fire hd 10/10 . . .”, available at amazon.com, date first available May 20, 2022, site visited Jun. 11, 2024, available at URL: <https://a.co/d/d9D4Rc4> (Year: 2022).\*

(Continued)

*Primary Examiner* — Daniel J Domino

*Assistant Examiner* — Samina Vieth

(74) *Attorney, Agent, or Firm* — Daniel M. Cohn;  
Howard M. Cohn

(57)

**CLAIM**

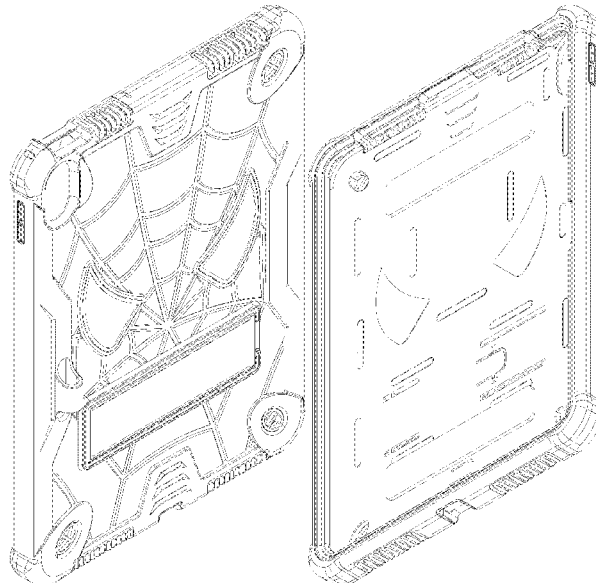
The ornamental design for a case for portable computer, as shown and described.

**DESCRIPTION**

FIG. 1 is a perspective view of a case for portable computer; FIG. 2 is another perspective view thereof; FIG. 3 is a front elevational view thereof; FIG. 4 is a rear elevational view thereof; FIG. 5 is a left side elevational view thereof; FIG. 6 is a right side elevational view thereof; FIG. 7 is a top plan view thereof; and, FIG. 8 is a bottom plan view thereof.

The broken lines shown in the figures represent portions of the case for portable computer and form no part of the claimed design.

**1 Claim, 8 Drawing Sheets**



(56)

References Cited

U.S. PATENT DOCUMENTS

D964,991	S	*	9/2022	Xu	.....	D14/440
D967,830	S	*	10/2022	Cheng	.....	D14/440
D970,510	S	*	11/2022	Cheng	.....	D14/440
D971,924	S	*	12/2022	Zhou	.....	D14/440
D973,666	S	*	12/2022	Ma	.....	D14/440
D975,100	S	*	1/2023	Ma	.....	D14/440
D976,914	S	*	1/2023	Huang	.....	D14/440
D978,154	S	*	2/2023	Gao	.....	D14/440
D978,868	S	*	2/2023	Gao	.....	D14/440
D983,801	S	*	4/2023	Liu	.....	D14/440
D999,769	S	*	9/2023	Pan	.....	D14/440
D1,003,297	S	*	10/2023	Xu	.....	D14/440
D1,003,300	S	*	10/2023	Cheng	.....	D14/440
D1,026,919	S	*	5/2024	Hu	.....	D14/440
2012/0224316	A1	*	9/2012	Shulenberg	.....	G06F 1/1628 361/679.09

FOREIGN PATENT DOCUMENTS

CN	307655117	*	11/2022
CN	308148797	*	8/2023

OTHER PUBLICATIONS

Sibeitu Store, "New iPad 5th 6th Generation Case . . .", available at amazon.com, date first available Jul. 7, 2022, site visited Jun. 11, 2024, available at URL: <https://a.co/d/3FFU7nk> (Year: 2022).\*

Ltrop, "iPad 6th 5th Generation Case . . .", available at amazon.com, date first available Jan. 5, 2021, site visited Jun. 11, 2024, available at URL: <https://a.co/d/imTvOs6> (Year: 2021).\*

Askam, "Sleeves Case Tablet Children's Case . . .", available at amazon.com, date first available Jun. 14, 2023, site visited Jun. 11, 2024, available at URL: <https://a.co/d/07eOgNk> (Year: 2023).\*

Ferkap, "Stand Tablet Cover Tablet Children's Case . . .", available at amazon.com, date first available May 22, 2023, site visited Jun. 11, 2024, available at URL: <https://a.co/d/6ZeFUjq> (Year: 2023).\*

\* cited by examiner

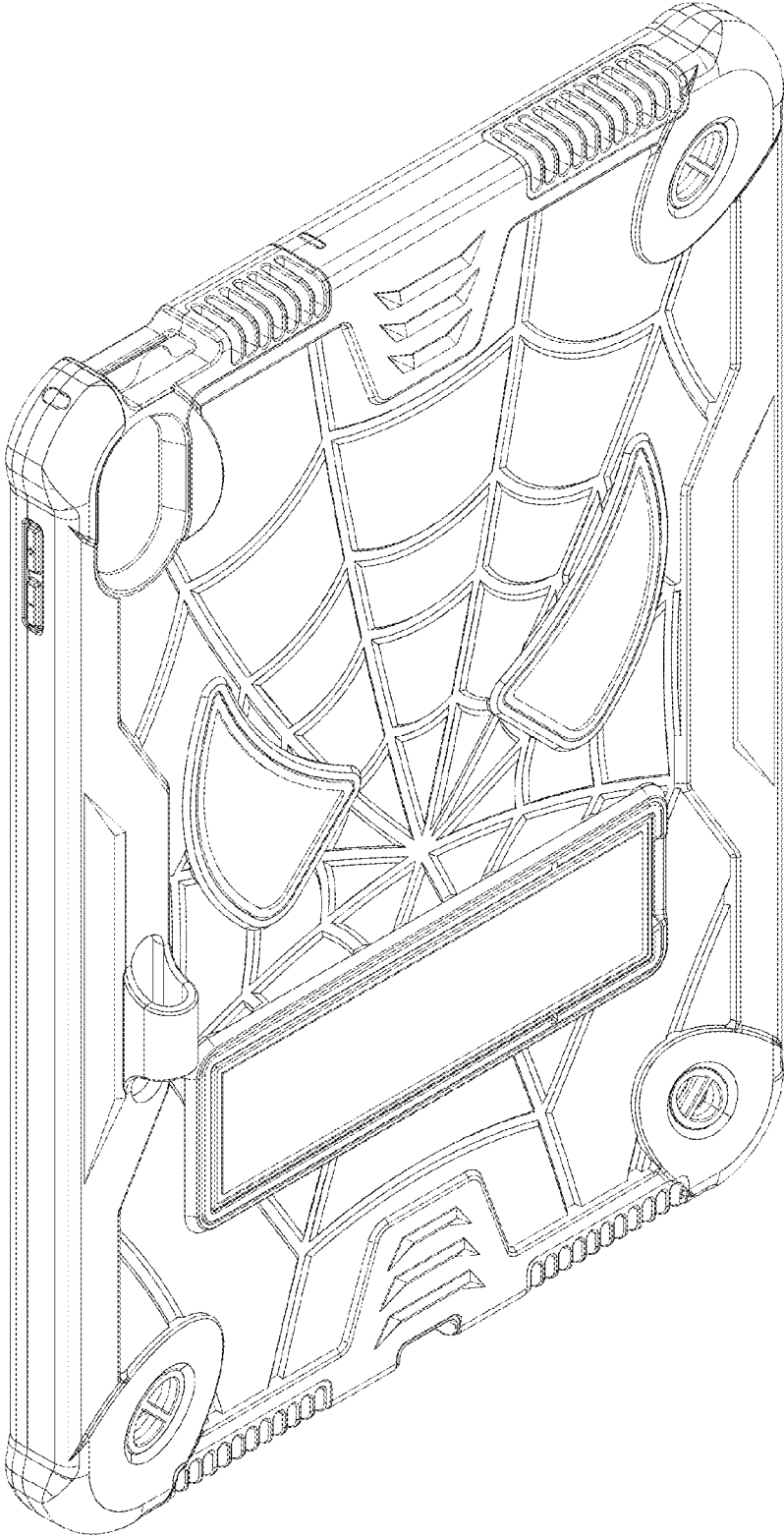


FIG.1

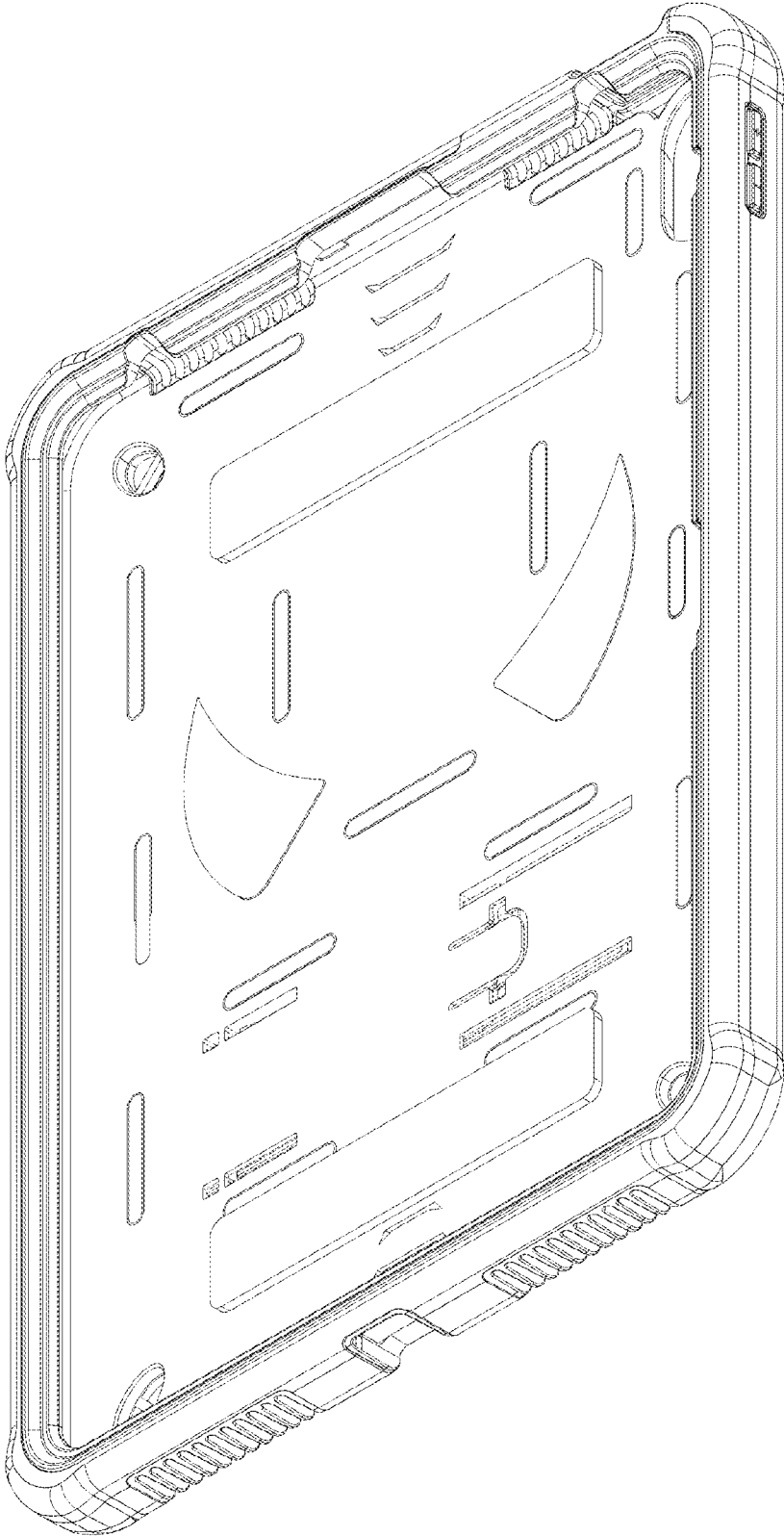


FIG. 2

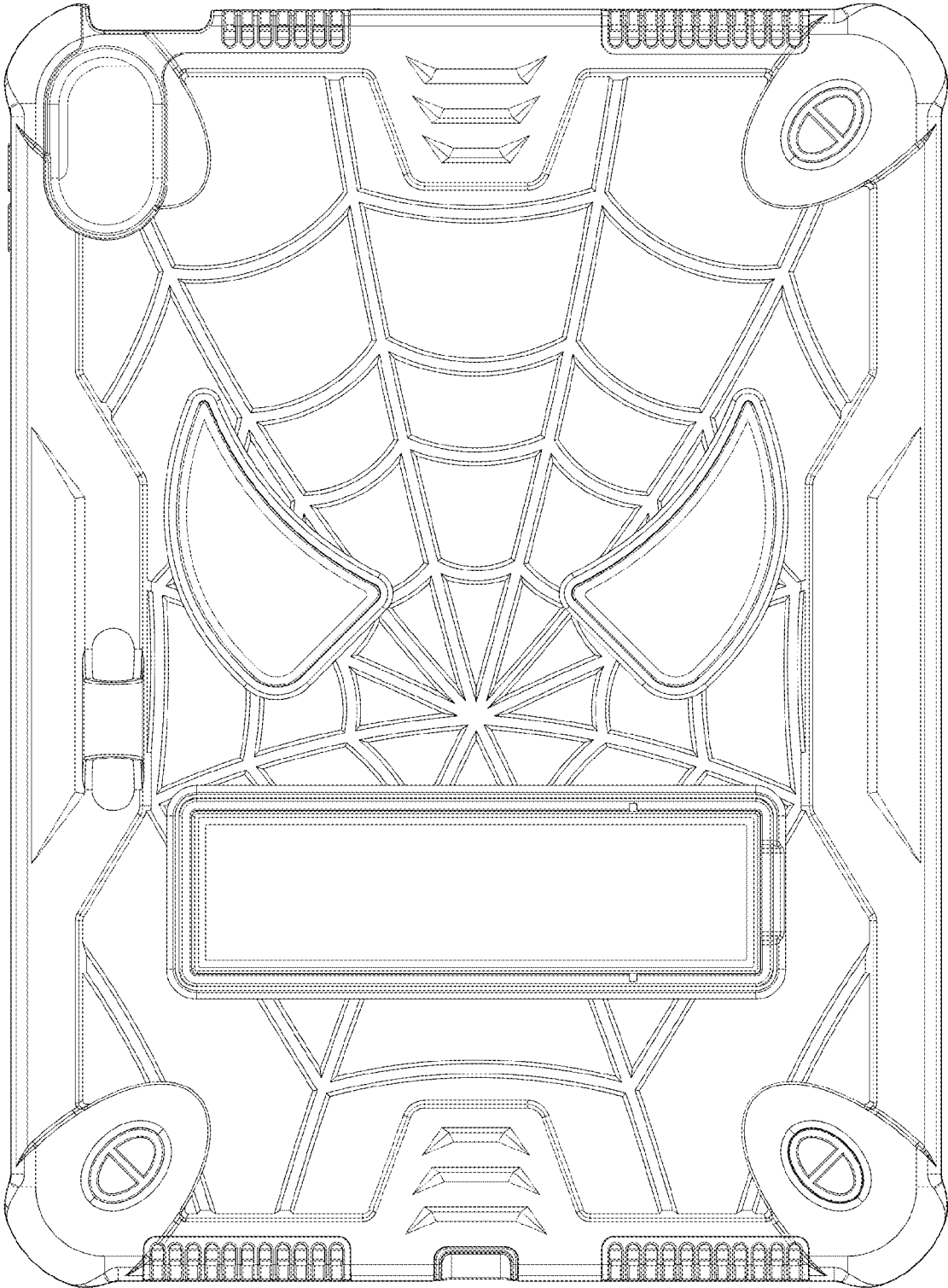


FIG. 3

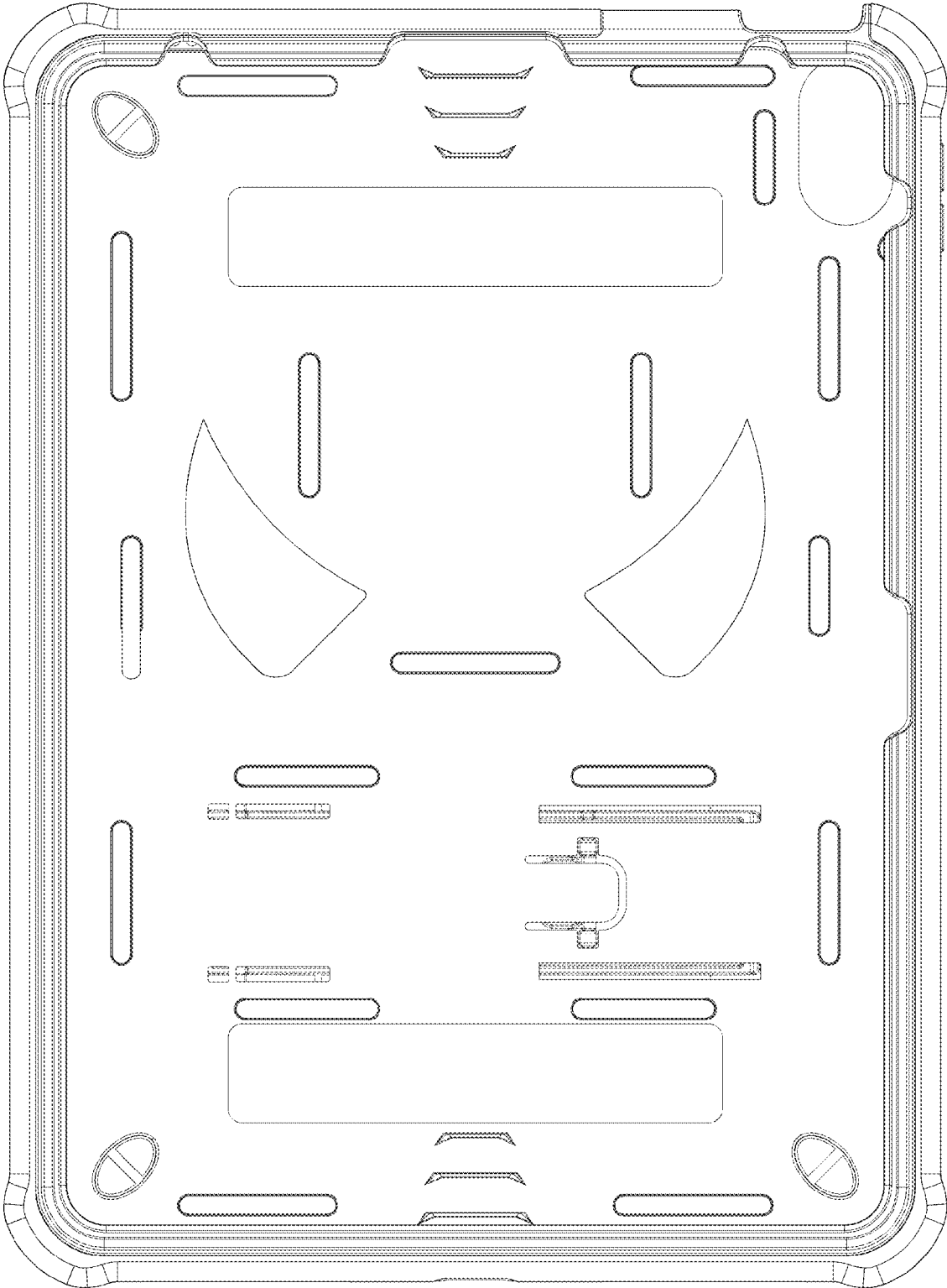


FIG.4

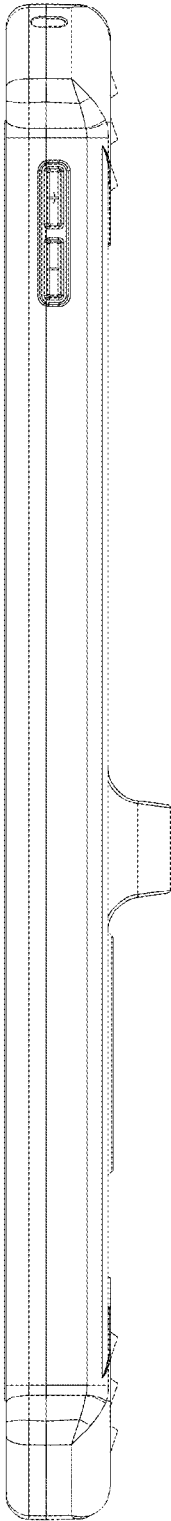


FIG. 5

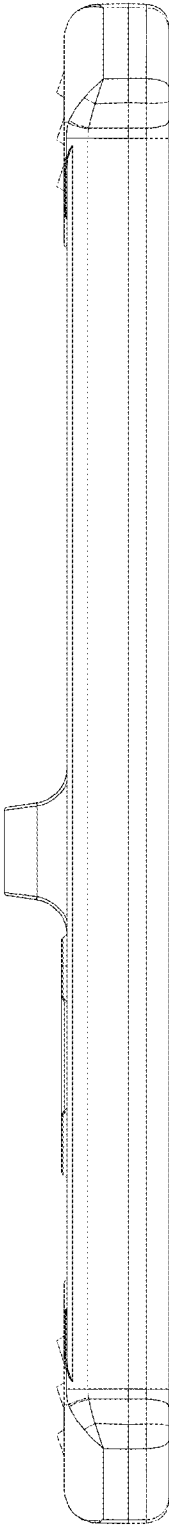


FIG.6



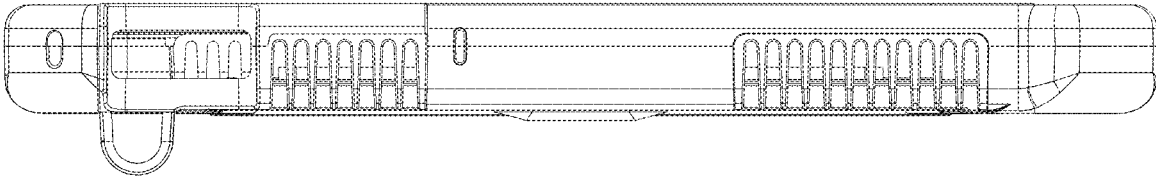


FIG.7

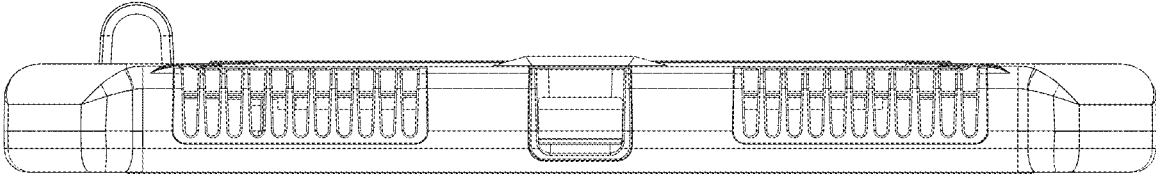


FIG.8