



US0D1031899S

(12) **United States Design Patent** (10) **Patent No.:** **US D1,031,899 S**
Markut et al. (45) **Date of Patent:** **** Jun. 18, 2024**

(54) **FIREARM LOWER RECEIVER**

OTHER PUBLICATIONS

- (71) Applicant: **Glock Technology GmbH**, Ferlach (AT)
- (72) Inventors: **Karl Markut**, Klagenfurt (AT); **Patrick Nolte**, Ferlach (AT)
- (73) Assignee: **Glock Technology GmbH**, Ferlach (AT)
- (**) Term: **15 Years**
- (21) Appl. No.: **29/745,727**
- (22) Filed: **Aug. 7, 2020**

New AR-10 Enhanced Lower Receiver, The Firearm Blog Online Page. Earliest Publication Date: Dec. 2, 2022. Date Accessed: Sep. 19, 2023. Retrieved from Internet URL: <https://www.thefirearmblog.com/blog/2022/12/02/ar-10-enhanced-lower-receiver-parts-si/> (Year: 2022).*

(Continued)

Primary Examiner — S. Bryan Reinholdt, Jr.
Assistant Examiner — Kaitlan Walker
(74) *Attorney, Agent, or Firm* — KOLITCH ROMANO DASCENZO GATES LLC

(30) **Foreign Application Priority Data**

(57) **CLAIM**

- Feb. 11, 2020 (EM) 007686555-0001
- Feb. 11, 2020 (EM) 007686555-0002
- Feb. 11, 2020 (EM) 007686555-0003
- Feb. 11, 2020 (EM) 007686555-0004

The ornamental design for a firearm lower receiver, as shown and described.

- (51) **LOC (14) Cl.** **22-01**
- (52) **U.S. Cl.**
USPC **D22/108**
- (58) **Field of Classification Search**
USPC D21/573; D22/103, 108, 199
CPC F41A 3/66; F41A 35/06
See application file for complete search history.

DESCRIPTION

FIG. 1 is a top rear left isometric view of a first version of a firearm lower receiver showing the new design; FIG. 2 is a bottom front left isometric view thereof; FIG. 3 is a left side view thereof; FIG. 4 is a top rear right isometric view thereof; FIG. 5 is a bottom front right isometric view thereof; and FIG. 6 is a right side view thereof. FIG. 7 is a top rear left isometric view of a second version of a firearm lower receiver showing the new design; FIG. 8 is a bottom front left isometric view thereof; FIG. 9 is a left side view thereof; FIG. 10 is a top rear right isometric view thereof; FIG. 11 is a bottom front right isometric view thereof; and FIG. 12 is a right side view thereof. The broken lines and the areas within the broken lines depict portions of the firearm lower receiver that forms no part of the claimed design.

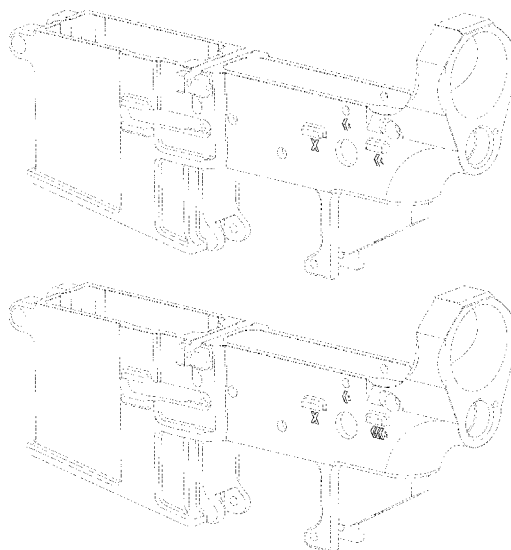
(56) **References Cited**

U.S. PATENT DOCUMENTS

- D603,012 S * 10/2009 Fitzpatrick D22/108
- D613,812 S * 4/2010 Peterson D22/108
- D682,383 S * 5/2013 Underwood D22/108
- D726,863 S * 4/2015 Crume, Sr. D22/108
- D746,936 S * 1/2016 Huang D22/108
- D773,585 S * 12/2016 Miller, III D22/108
- D782,596 S * 3/2017 Angstadt D22/108
- D805,154 S * 12/2017 Steele D22/108
- 9,952,011 B2 * 4/2018 Overstreet F41A 17/36

(Continued)

1 Claim, 12 Drawing Sheets



(56)

References Cited

U.S. PATENT DOCUMENTS

D833,563	S *	11/2018	Snively	D22/108
D835,225	S *	12/2018	Podgurny	D22/108
10,175,013	B1 *	1/2019	Shoffner	F41A 3/66
D849,175	S *	5/2019	Willits	D22/108
10,386,139	B1 *	8/2019	Sharps	F41A 17/38
10,393,468	B2 *	8/2019	Maugham	F41A 3/66
11,085,715	B2 *	8/2021	Stroda	F41A 17/42
D967,324	S *	10/2022	Gong	D22/108
2015/0101230	A1 *	4/2015	Curtis	F41A 3/66
					42/75.01
2016/0209136	A1 *	7/2016	Schuetz	F41A 3/66
2017/0160032	A1 *	6/2017	Overstreet	F41A 17/36
2018/0003457	A1 *	1/2018	McCallum	F41A 11/02
2018/0347925	A1 *	12/2018	Gibbens	F41A 15/16
2019/0041146	A1 *	2/2019	Johnson, Jr.	F41A 3/66
2019/0093978	A1 *	3/2019	Maugham	F41A 17/36

OTHER PUBLICATIONS

New Retro Lower Receiver, The Firearm Blog Online Page. Earliest Publication Date: Jul. 6, 2022. Date Accessed: Sep. 19, 2023. Retrieved from Internet URL: <https://www.thefirearmblog.com/blog/2022/07/06/unbranded-ar-retro-lower-receiver/> (Year: 2022).*

* cited by examiner

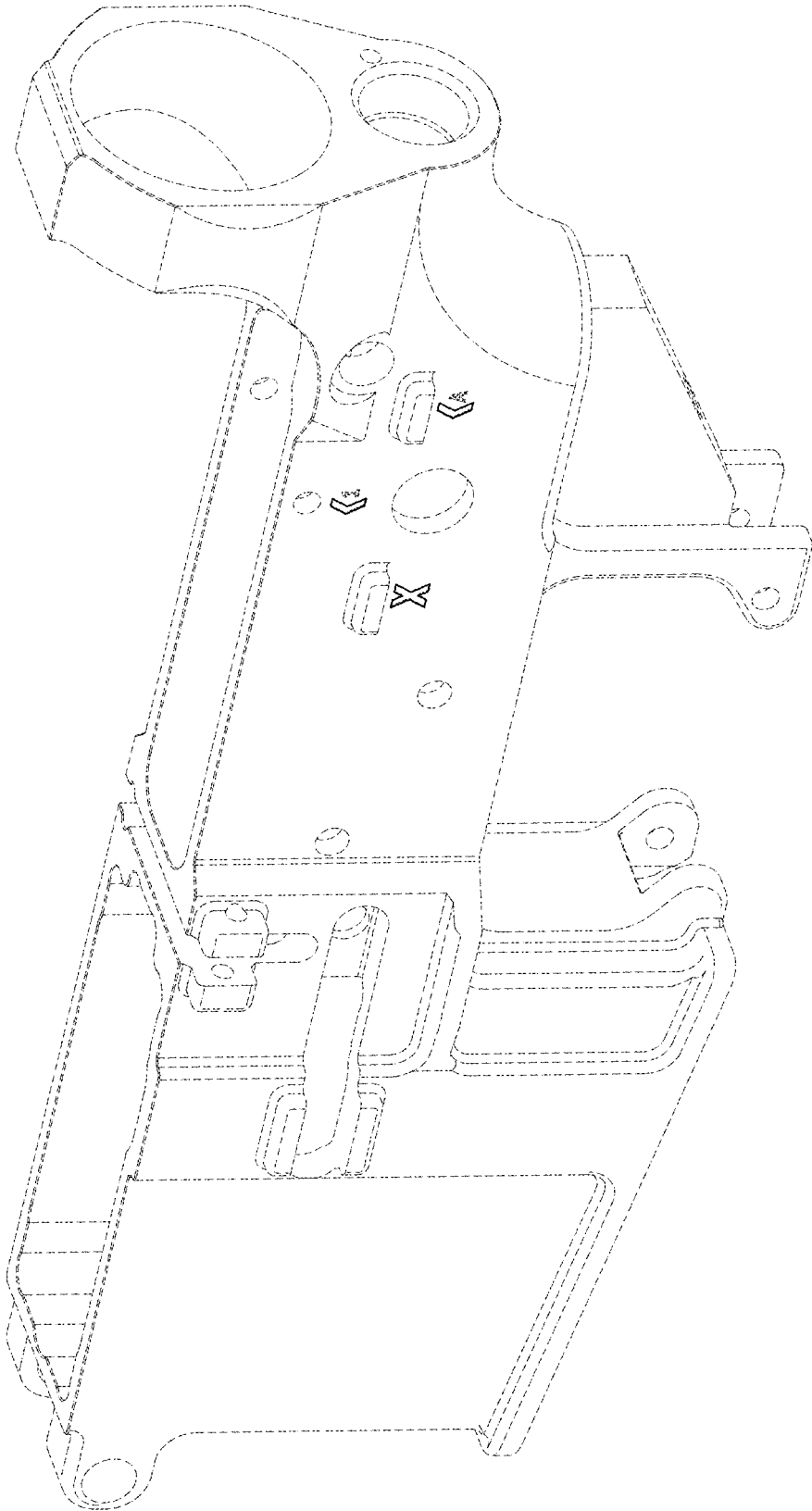


Fig. 1

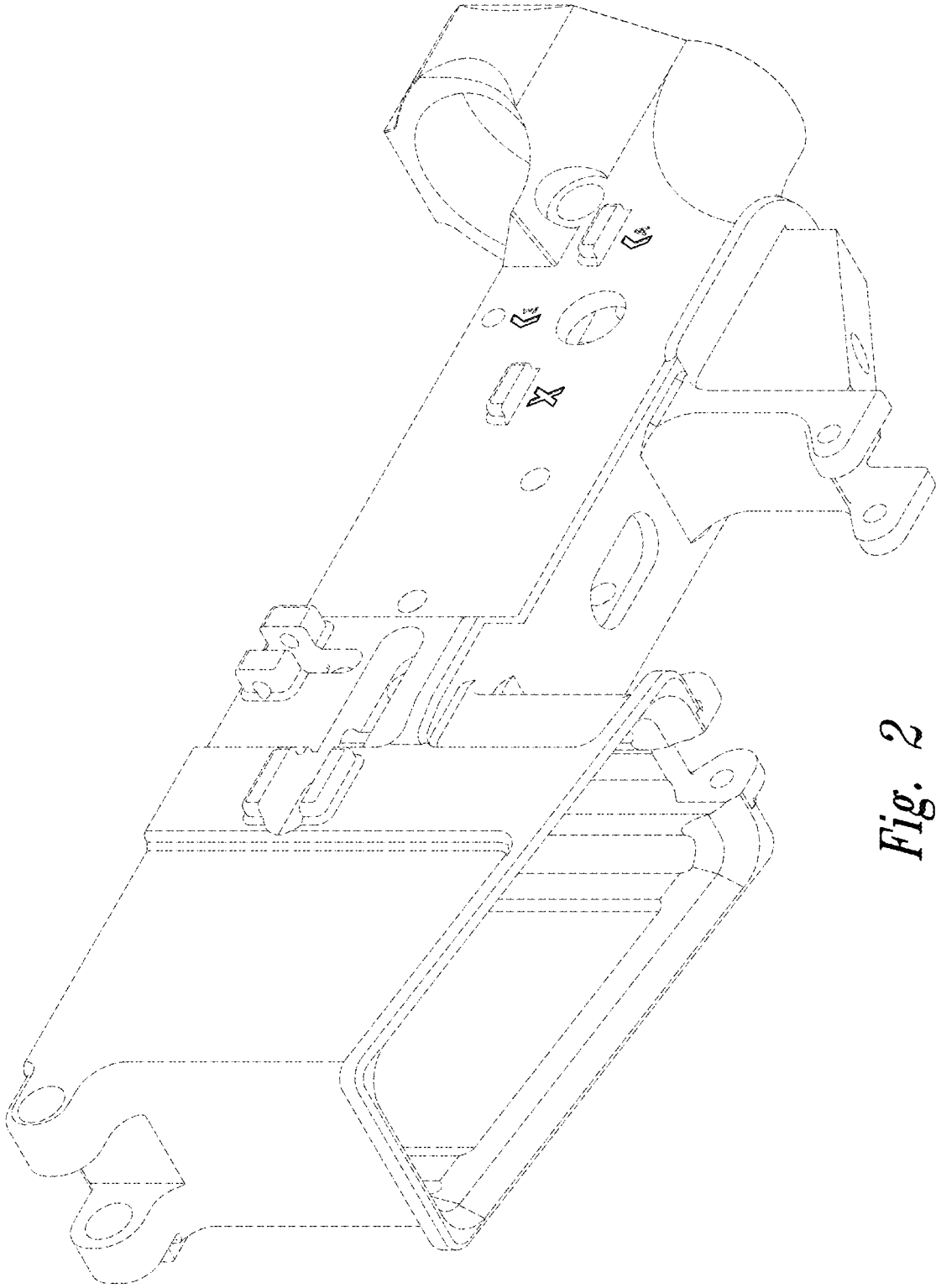


Fig. 2

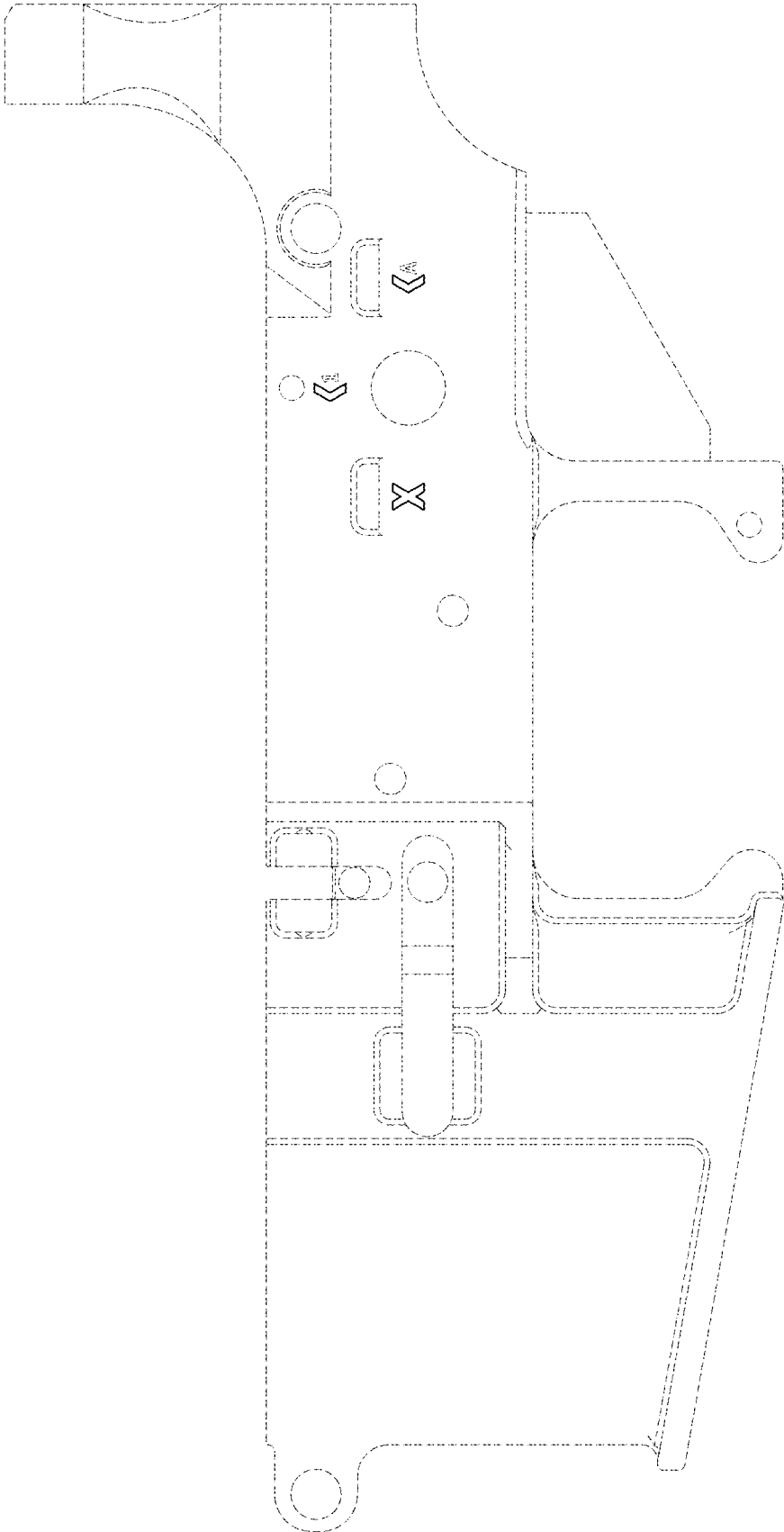


Fig. 3

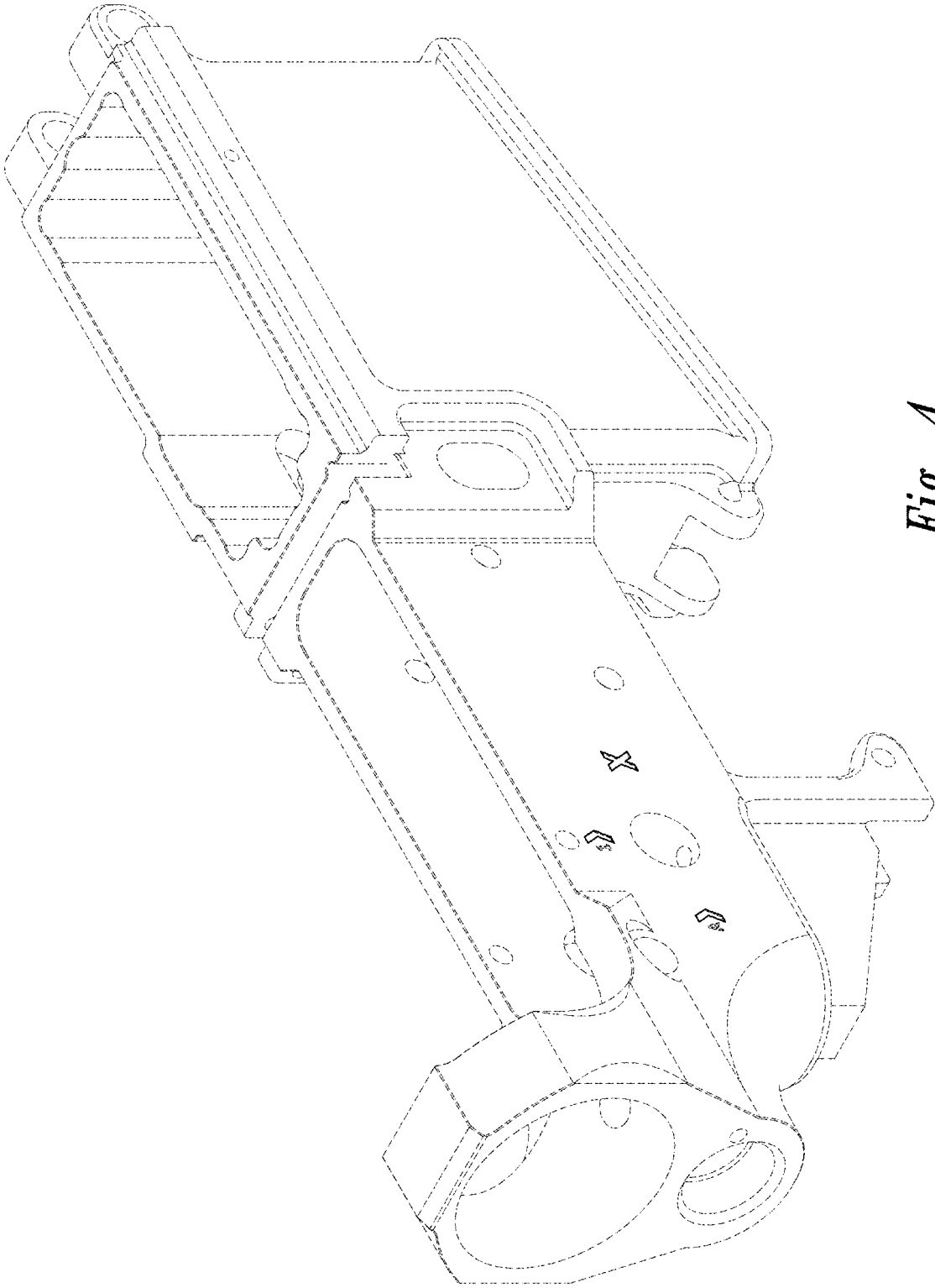


Fig. 4

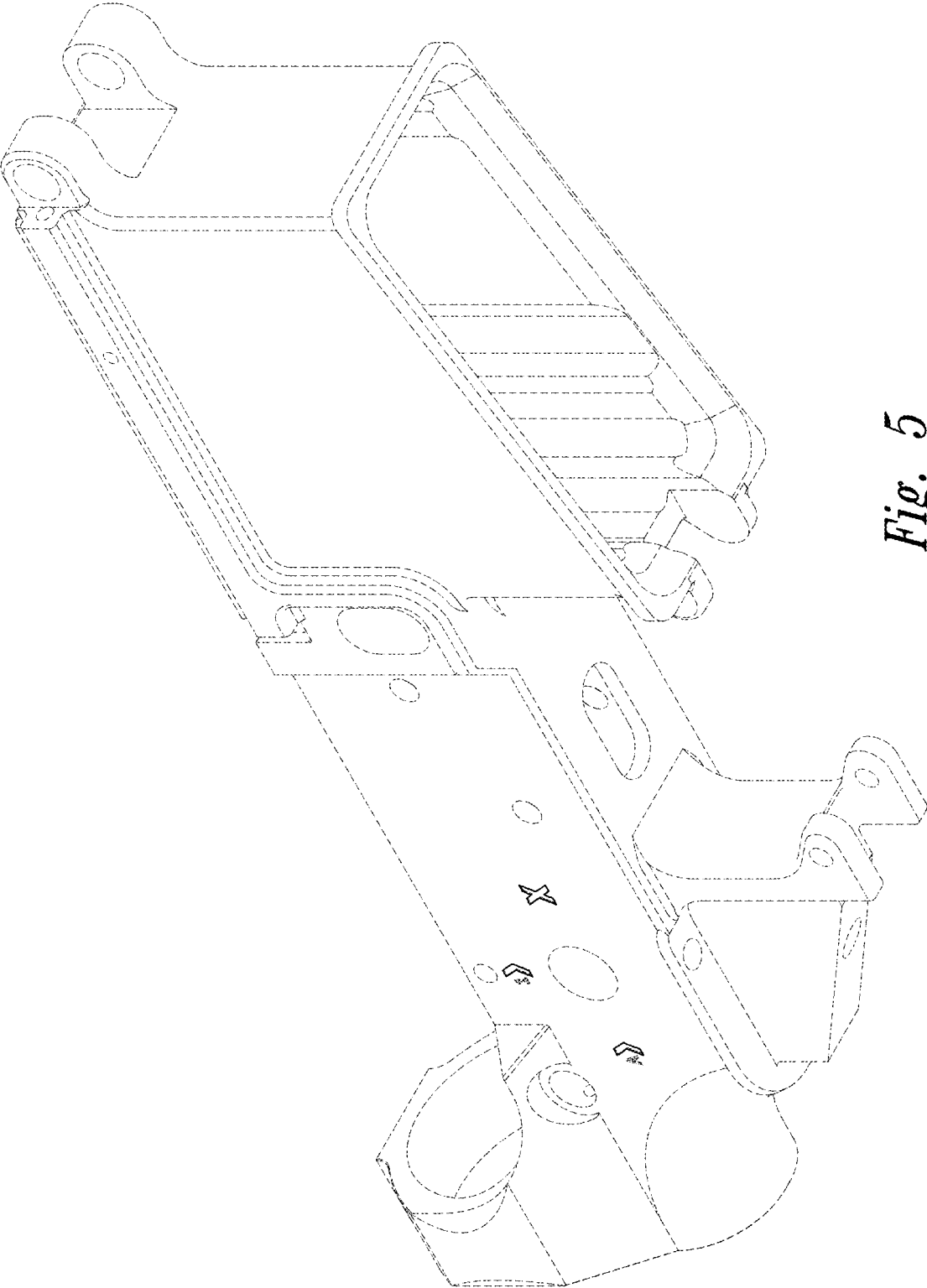


Fig. 5

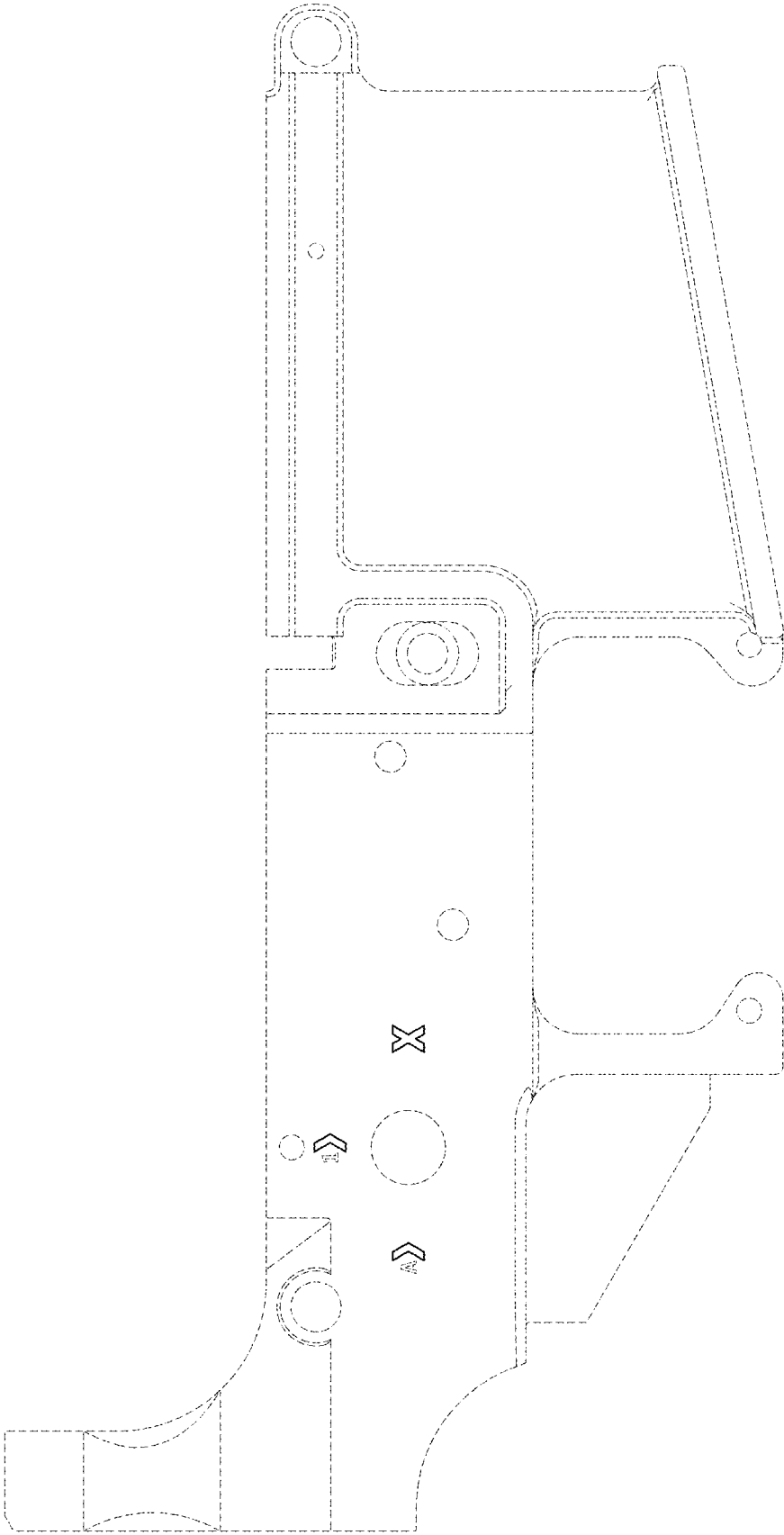


Fig. 6

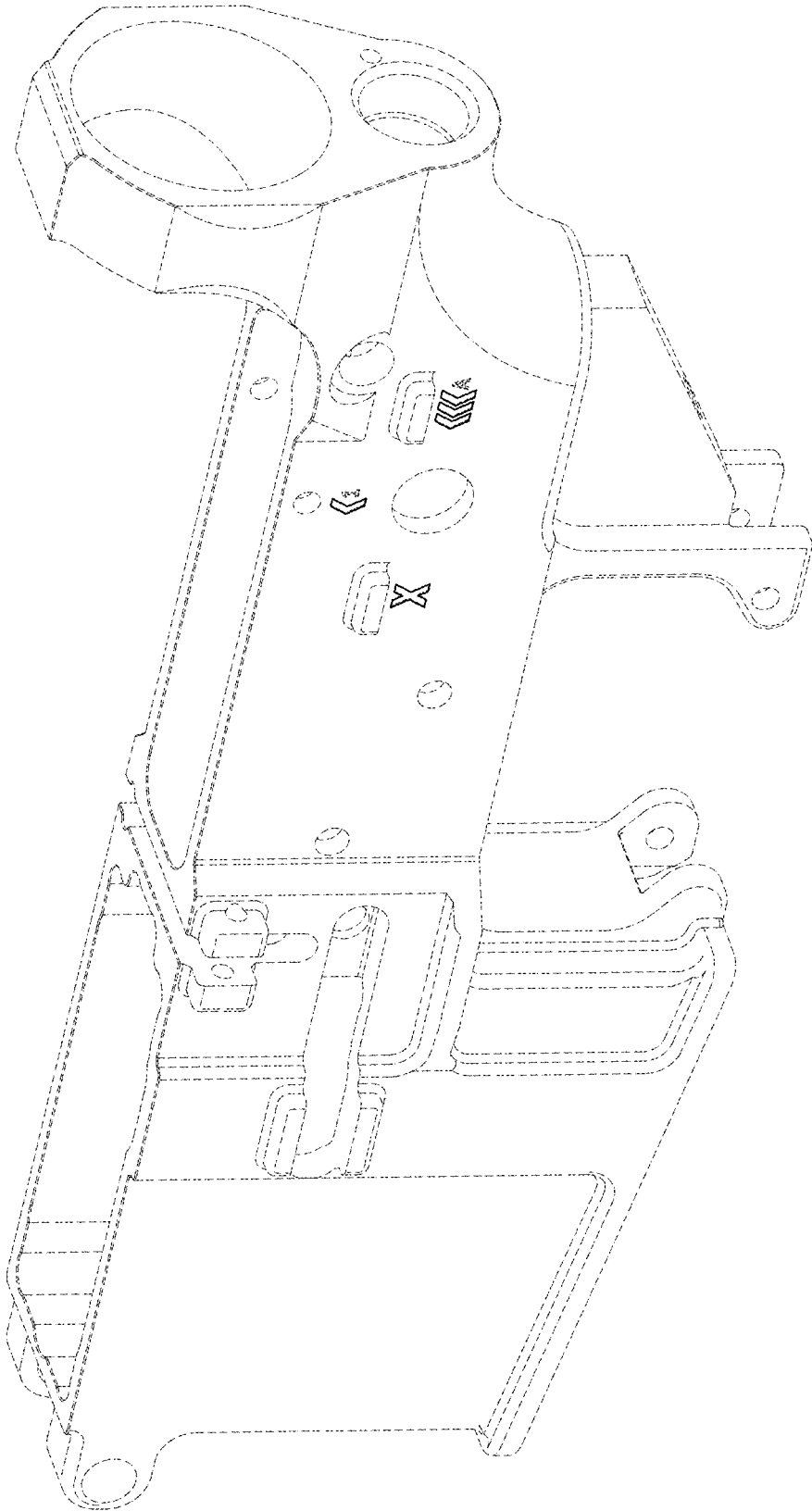


Fig. 7

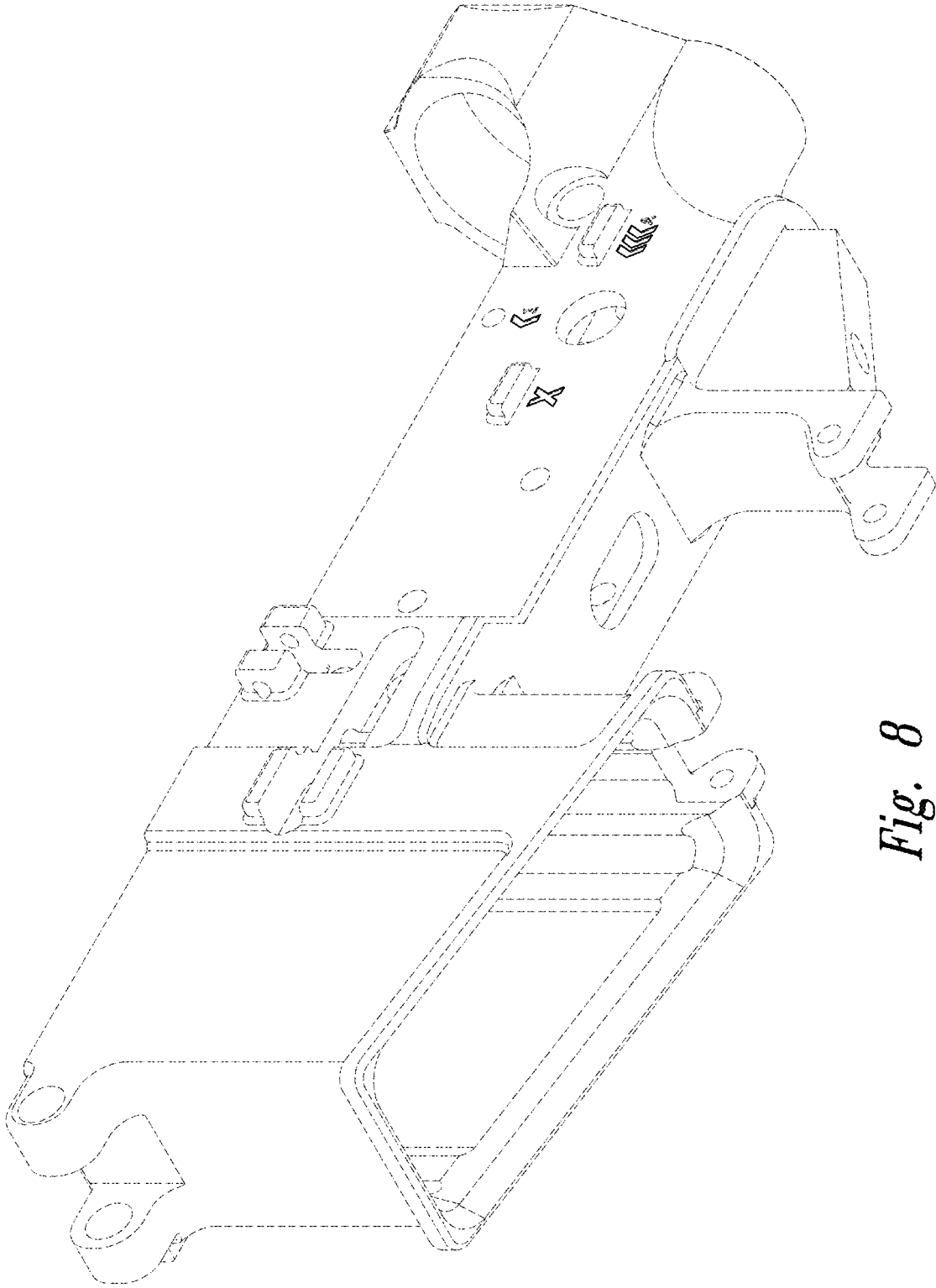


Fig. 8

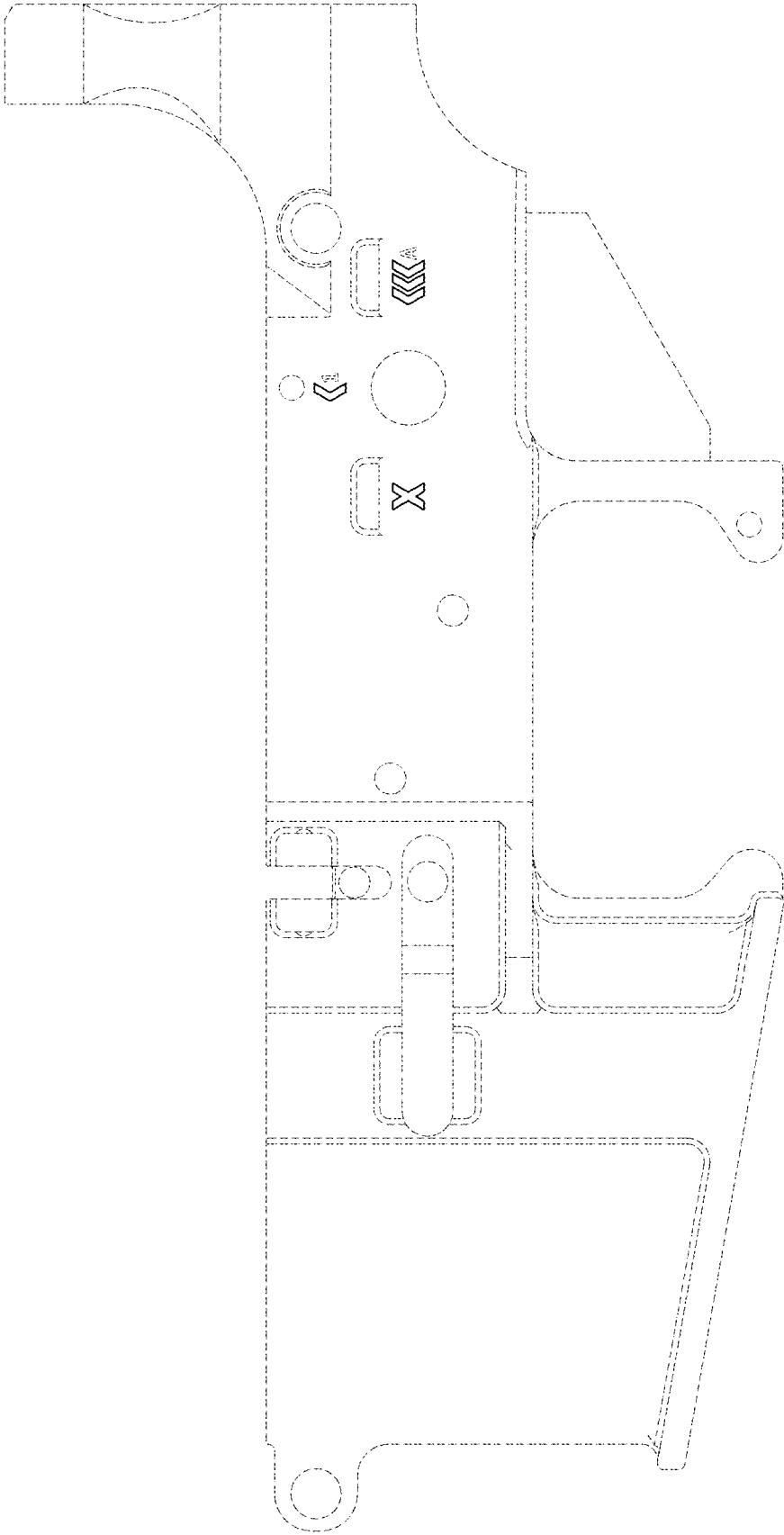


Fig. 9

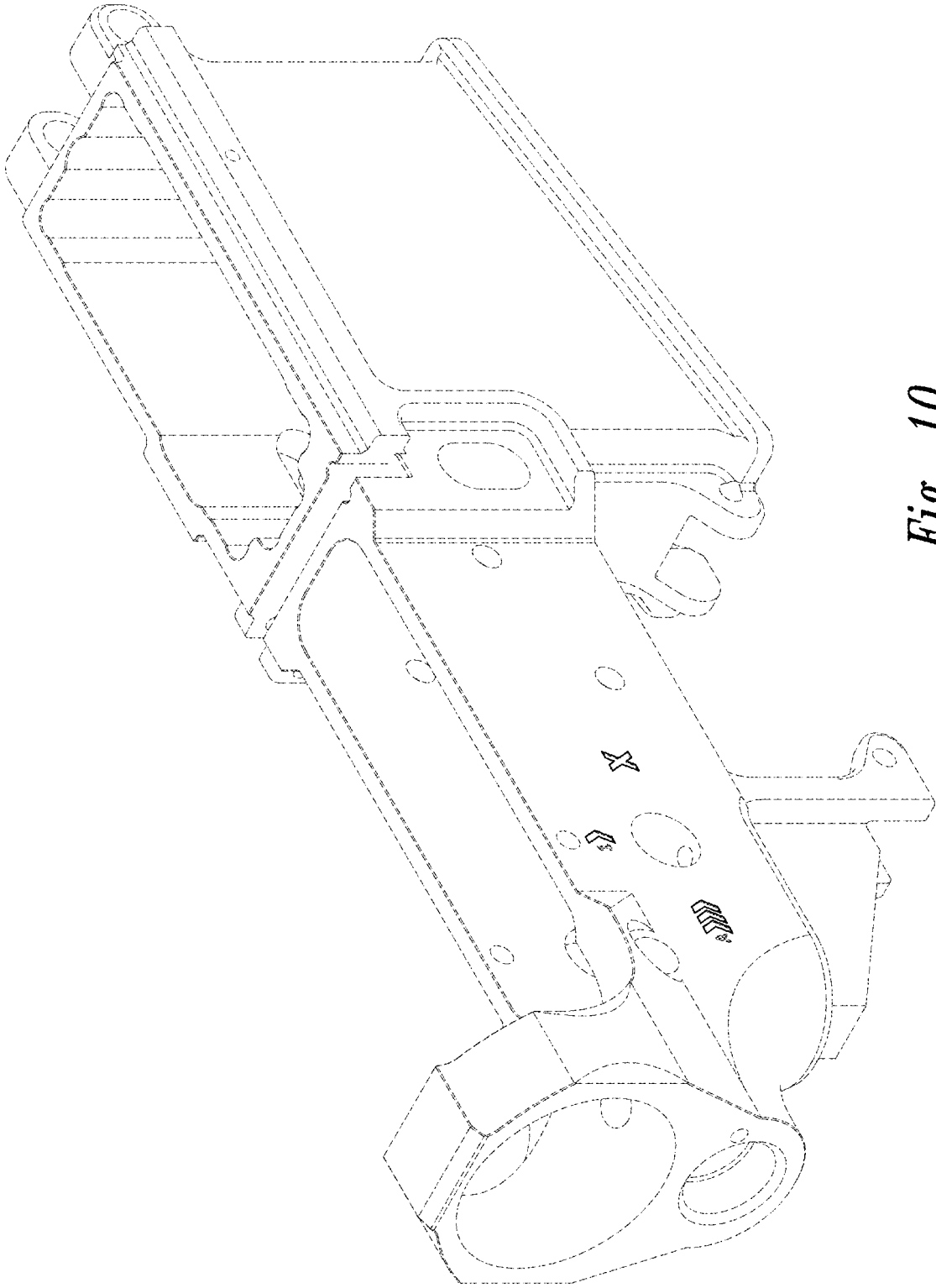


Fig. 10

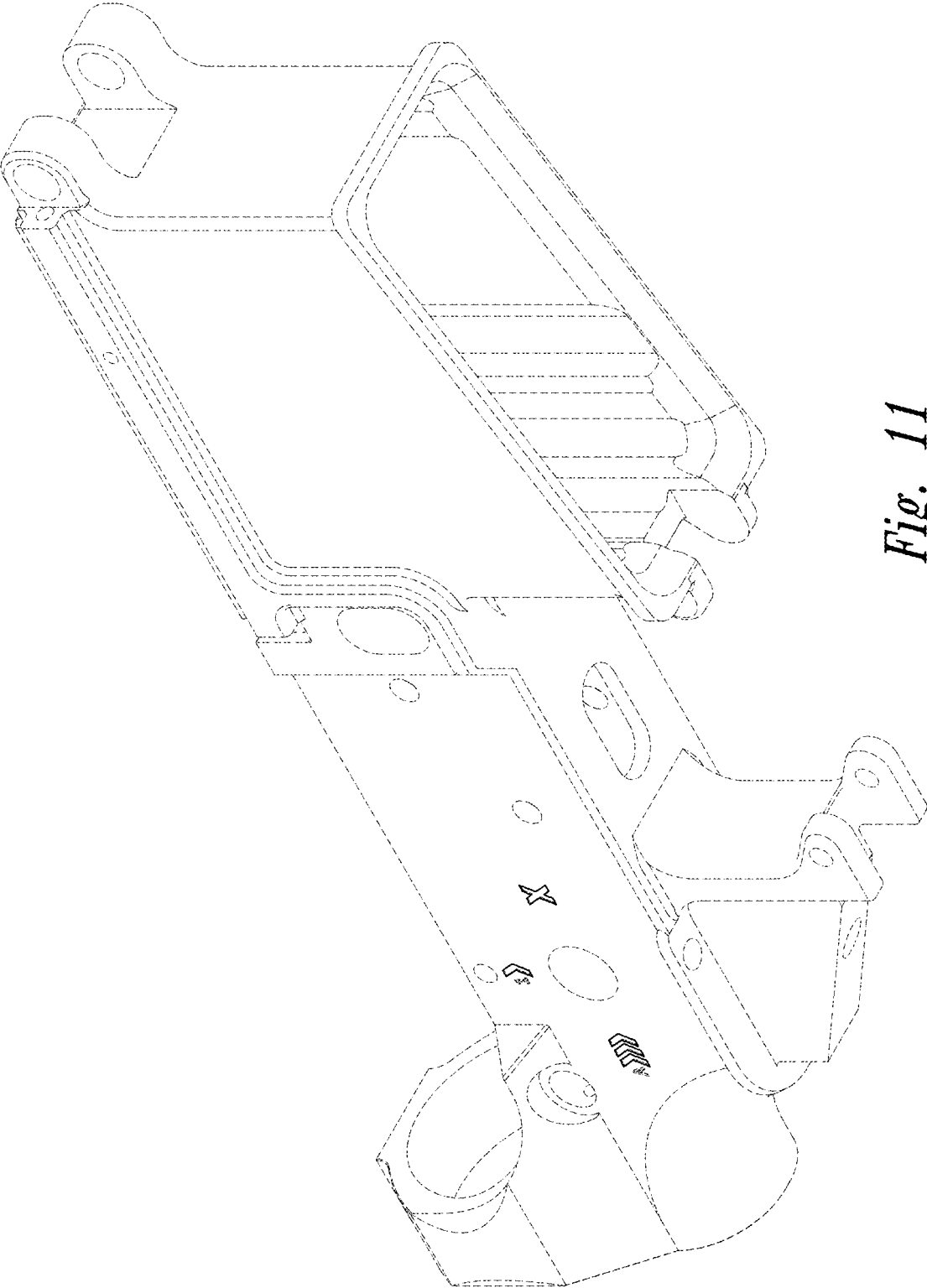


Fig. 11

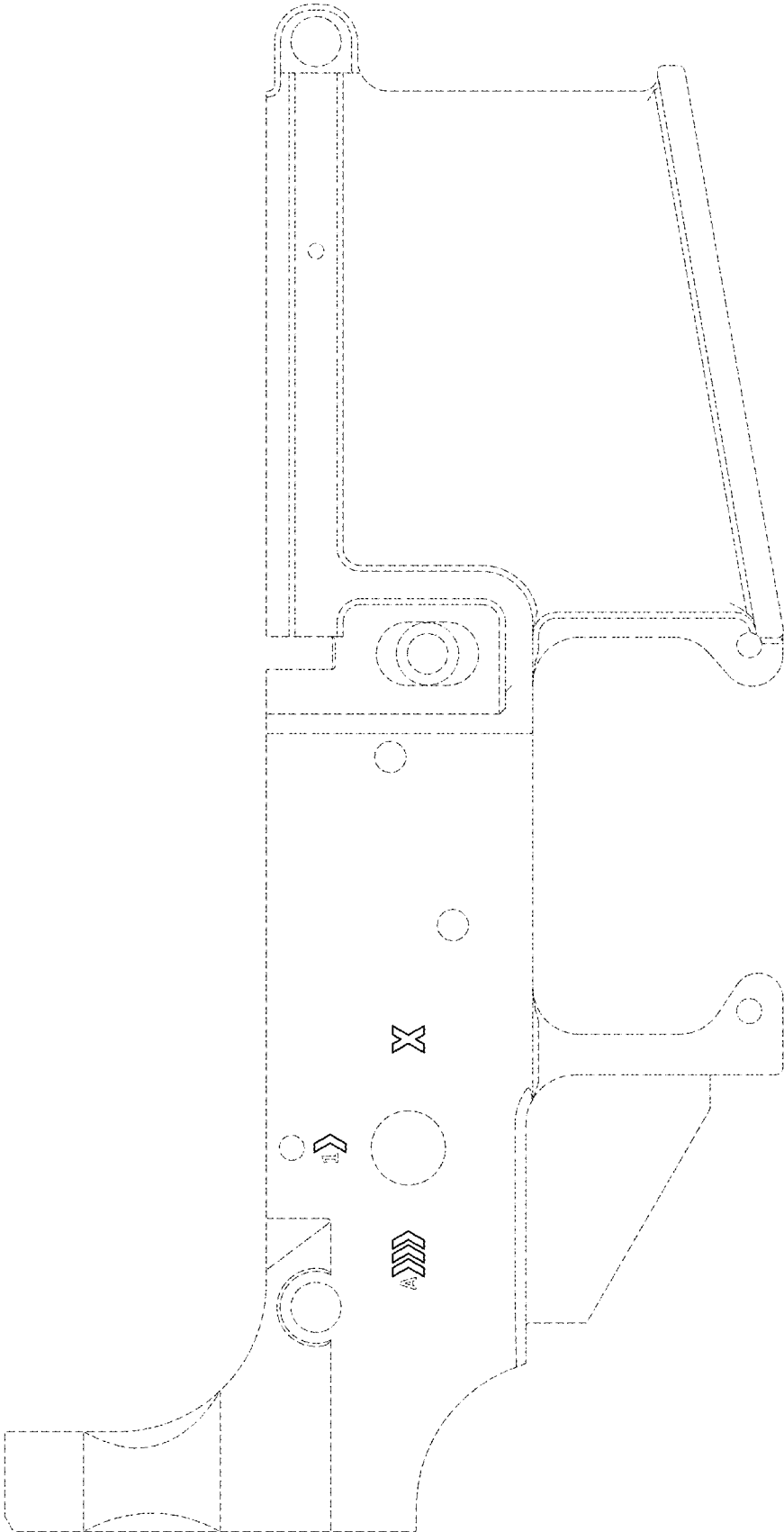


Fig. 12