



US00D904755S

(12) **United States Design Patent**
Birger

(10) **Patent No.:** **US D904,755 S**

(45) **Date of Patent:** **** Dec. 15, 2020**

- (54) **HEADPHONE STORAGE CASE**
- (71) Applicant: **GN Audio A/S**, Ballerup (DK)
- (72) Inventor: **Johan Birger**, Ballerup (DK)
- (73) Assignee: **GN Audio A/S**, Ballerup (DK)
- (**) Term: **15 Years**
- (21) Appl. No.: **29/694,786**
- (22) Filed: **Jun. 13, 2019**

| | | | | |
|-----------|---|---------|------------|------------------------|
| 4,542,822 | A | 9/1985 | Kennedy | |
| D281,033 | S | 10/1985 | Mohri | |
| D285,128 | S | * | 8/1986 | Yuen D28/77 |
| 4,732,269 | A | 3/1988 | Roy | |
| D313,753 | S | 1/1991 | Nagasaka | |
| D333,560 | S | 3/1993 | Miyashita | |
| D333,917 | S | 3/1993 | Daido | |
| D367,113 | S | 2/1996 | Weeks | |
| 5,887,720 | A | 3/1999 | Lin | |
| D426,153 | S | * | 6/2000 | Sagel D9/422 |
| D430,727 | S | 9/2000 | Wisniewski | |
| 6,122,388 | A | 9/2000 | Feldman | |
| D455,835 | S | 4/2002 | Anderson | |
| D464,877 | S | * | 10/2002 | Weinstein D9/418 |
| D479,016 | S | 8/2003 | Sgariboldi | |

(Continued)

Related U.S. Application Data

- (62) Division of application No. 29/643,617, filed on Apr. 10, 2018, now Pat. No. Des. 866,530.

Foreign Application Priority Data

| | | |
|---------------|------|----------------|
| Oct. 27, 2017 | (EM) | 004423572-0001 |
| Oct. 27, 2017 | (EM) | 004423572-0002 |
| Oct. 27, 2017 | (EM) | 004423572-0003 |
| Oct. 27, 2017 | (EM) | 004423572-0004 |
| Oct. 27, 2017 | (EM) | 004423572-0005 |

- (51) **LOC (12) Cl.** **03-01**
- (52) **U.S. Cl.**

USPC **D3/201**; D14/205

(58) **Field of Classification Search**

USPC D14/205, 223; D3/201, 294; D28/66;
D13/110; D19/73; 206/773; D9/420,
D9/529, 734, 521; 455/90.3, 575.1, 569.1
CPC H04R 1/10; H04R 25/00; H04R 25/02;
H04R 1/1016; B65D 11/12; A45D 33/006
See application file for complete search history.

(56) **References Cited**

U.S. PATENT DOCUMENTS

| | | | |
|-----------|---|---------|---------|
| 1,906,111 | A | 4/1933 | Shields |
| D208,784 | S | 10/1967 | Sanzone |

FOREIGN PATENT DOCUMENTS

CN 305766377 * 5/2020

Primary Examiner — Paula Allen Greene

(74) *Attorney, Agent, or Firm* — Hamre, Schumann,
Mueller & Larson, P.C.

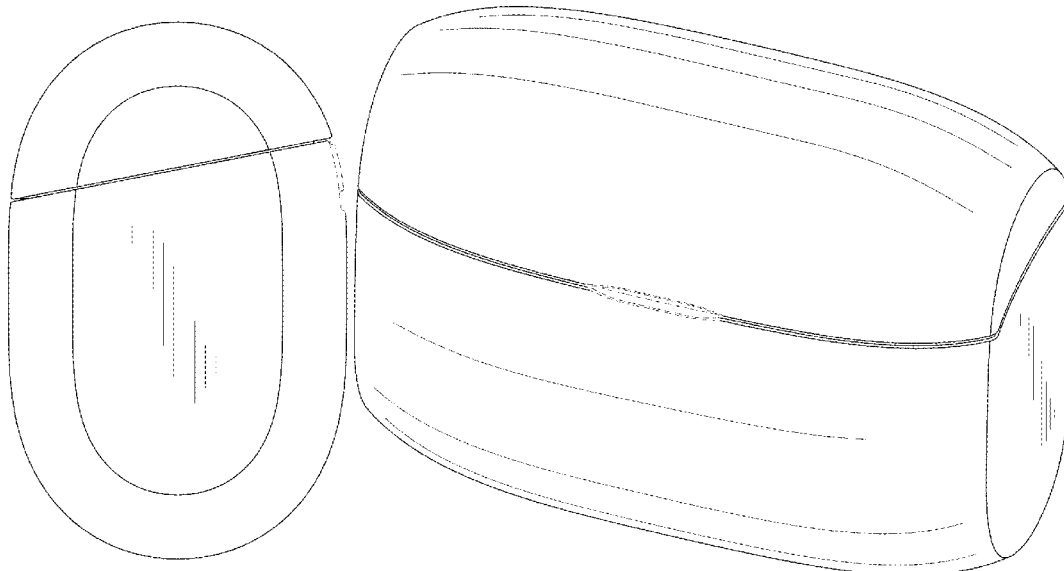
(57) **CLAIM**

The ornamental design for headphone storage case as shown and described.

DESCRIPTION

FIG. 1 is a front planar view of a headphone storage case in closed position;
FIG. 2 is a bottom planar view of FIG. 1 thereof;
FIG. 3 is a top planar view of FIG. 1 thereof;
FIG. 4 is a right side planar view of FIG. 1 thereof;
FIG. 5 is a left side planar view of FIG. 1 thereof;
FIG. 6 is a back planar view of FIG. 1 thereof; and,
FIG. 7 is a perspective view of FIG. 1 thereof.
The features shown in broken lines depict environmental subject matter only and form no part of the claimed design.

1 Claim, 7 Drawing Sheets



US D904,755 S

(56)

References Cited

U.S. PATENT DOCUMENTS

| | | | | | | | | |
|-----------|------|---------|----------------------|------------------------|-------------------|---------|------------------|--------------------------|
| 6,889,866 | B2 * | 5/2005 | Gilliam | B65D 1/10 215/383 | D786,834 S | 5/2017 | Samrelius | |
| 6,945,988 | B1 | 9/2005 | Jones | | D791,479 S * | 7/2017 | Son | D3/298 |
| D529,288 | S | 10/2006 | Ham | | D796,968 S | 9/2017 | Akana | |
| D531,025 | S | 10/2006 | Tanner | | D799,316 S | 10/2017 | Thain | |
| D547,544 | S * | 7/2007 | Hussaini | D3/201 | D800,097 S | 10/2017 | Chen | |
| D553,077 | S | 10/2007 | Kim | | D806,388 S * | 1/2018 | Akana | D3/294 |
| 7,318,523 | B2 * | 1/2008 | Spatafora | B65B 19/228 206/268 | D806,879 S | 1/2018 | Horbinski | |
| D561,471 | S | 2/2008 | Nakamura | | D817,309 S | 5/2018 | Czaniecki | |
| D596,024 | S * | 7/2009 | Fraguada McCoy | D9/428 | D817,640 S | 5/2018 | Dang | |
| D604,501 | S | 11/2009 | Lee | | D818,268 S * | 5/2018 | Akana | D3/294 |
| D621,256 | S | 8/2010 | Andre | | 9,961,434 B2 | 5/2018 | Kelly | |
| D628,990 | S | 12/2010 | Pedersen | | D821,970 S | 7/2018 | Loemann | |
| D630,941 | S * | 1/2011 | Paredes | D9/430 | D822,374 S | 7/2018 | Hung | |
| D635,558 | S | 4/2011 | Zheng | | D832,240 S | 10/2018 | Birger | |
| D668,244 | S | 10/2012 | Matsumura | | D832,824 S | 11/2018 | Kim | |
| D673,430 | S | 1/2013 | Glassman | | D833,420 S | 11/2018 | Lindenberger | |
| D686,065 | S | 7/2013 | Kuo | | D834,301 S | 11/2018 | Poissant | |
| D690,281 | S * | 9/2013 | Carr | D14/204 | D838,480 S | 1/2019 | Son | |
| D697,058 | S | 1/2014 | Thompson | | D841,580 S * | 2/2019 | Bao | D13/108 |
| D698,026 | S | 1/2014 | Kuwata | | D841,626 S | 2/2019 | Tang | |
| D699,777 | S * | 2/2014 | Li | D16/217 | D841,627 S | 2/2019 | Wen | |
| D706,643 | S | 6/2014 | Akana | | D843,354 S | 3/2019 | Kumano | |
| D709,758 | S | 7/2014 | Burdock-Latter | | D845,932 S | 4/2019 | Lu | |
| D712,279 | S | 9/2014 | Akana | | D846,264 S | 4/2019 | Wu | |
| D716,770 | S | 11/2014 | Bonahoom | | D853,116 S * | 7/2019 | Bergman | D3/294 |
| D722,264 | S | 2/2015 | Saideh | | D881,572 S * | 4/2020 | Wang | D3/294 |
| 8,965,030 | B2 | 2/2015 | Aase | | D882,262 S * | 4/2020 | Zhang | D3/294 |
| D723,792 | S | 3/2015 | Anderson | | D886,454 S * | 6/2020 | Williamson | D3/294 |
| D731,781 | S * | 6/2015 | Behar | D3/201 | D886,455 S * | 6/2020 | Williamson | D3/294 |
| D734,022 | S | 7/2015 | Harper | | D888,408 S * | 6/2020 | Lee | D3/201 |
| D735,169 | S | 7/2015 | Shieh | | D891,774 S * | 8/2020 | Yu | D3/294 |
| D744,456 | S | 12/2015 | Pedersen | | D892,498 S * | 8/2020 | Wright | D3/294 |
| 9,445,631 | B1 | 9/2016 | Patel | | D892,770 S * | 8/2020 | Gao | D14/223 |
| D772,572 | S | 11/2016 | Palmborg | | 2003/0132274 A1 * | 7/2003 | Kalberer | B65D 3/14 229/4.5 |
| D775,960 | S | 1/2017 | Erdwiens | | 2005/0199692 A1 * | 9/2005 | Nelson | B65D 5/3621 229/182.1 |
| D777,149 | S | 1/2017 | Bonahoom | | 2007/0256946 A1 | 11/2007 | Godshaw | |
| D778,156 | S | 2/2017 | Follett | | 2007/0272686 A1 | 11/2007 | Yu | |
| | | | | | 2011/0155147 A1 | 6/2011 | McIntosh | |
| | | | | | 2017/0026738 A1 | 1/2017 | Tang | |

* cited by examiner

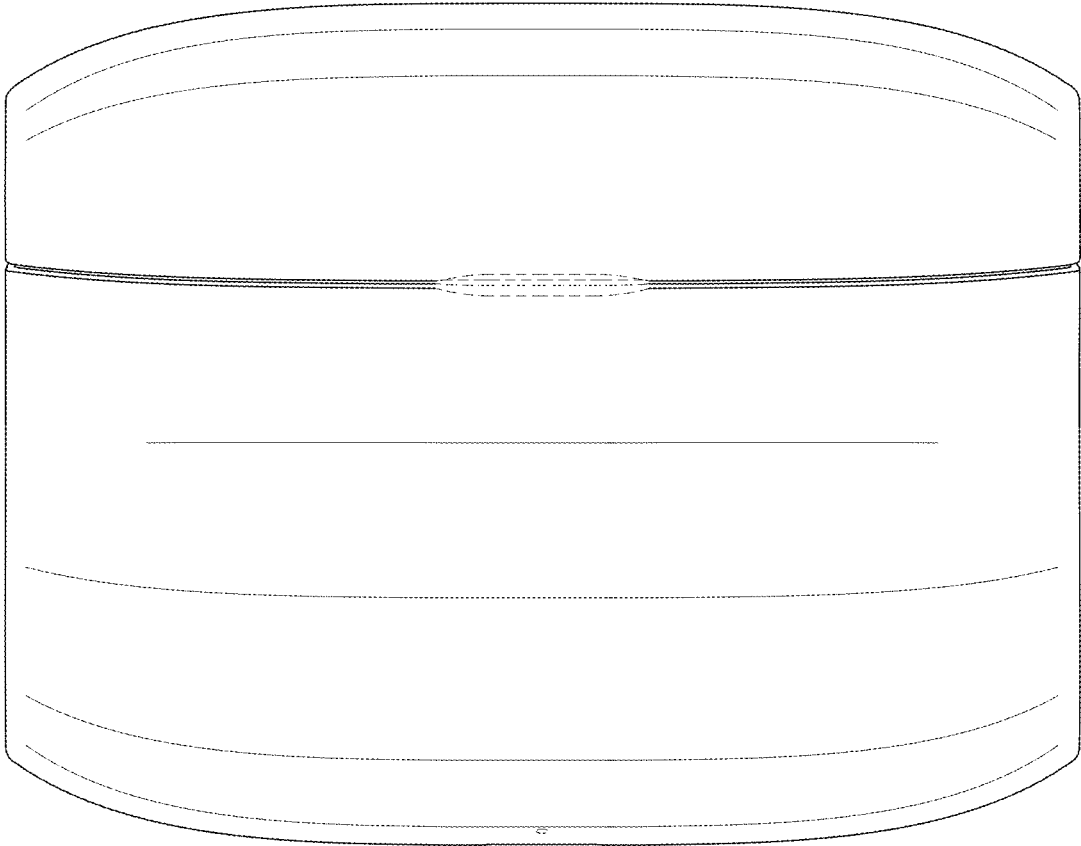


FIG. 1

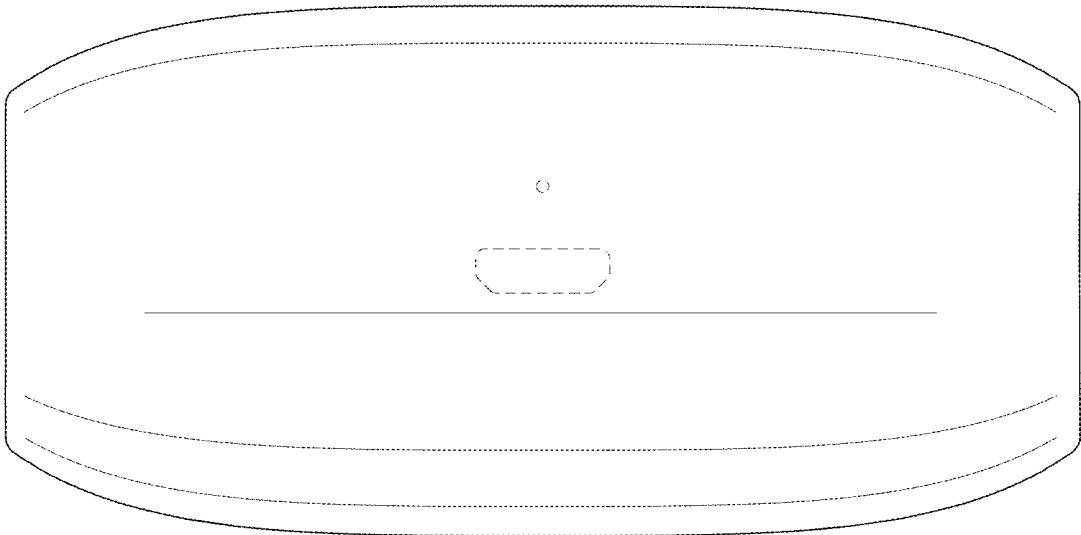


FIG. 2



FIG. 3

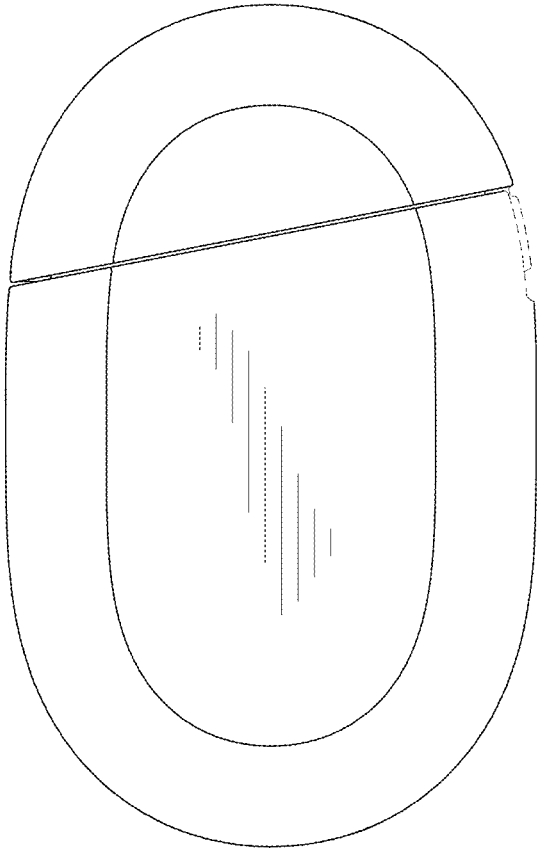


FIG. 4

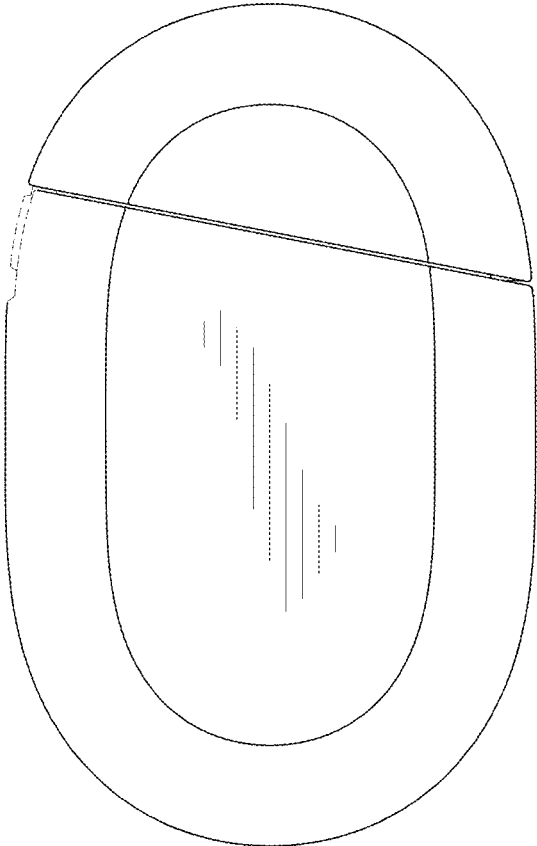


FIG. 5

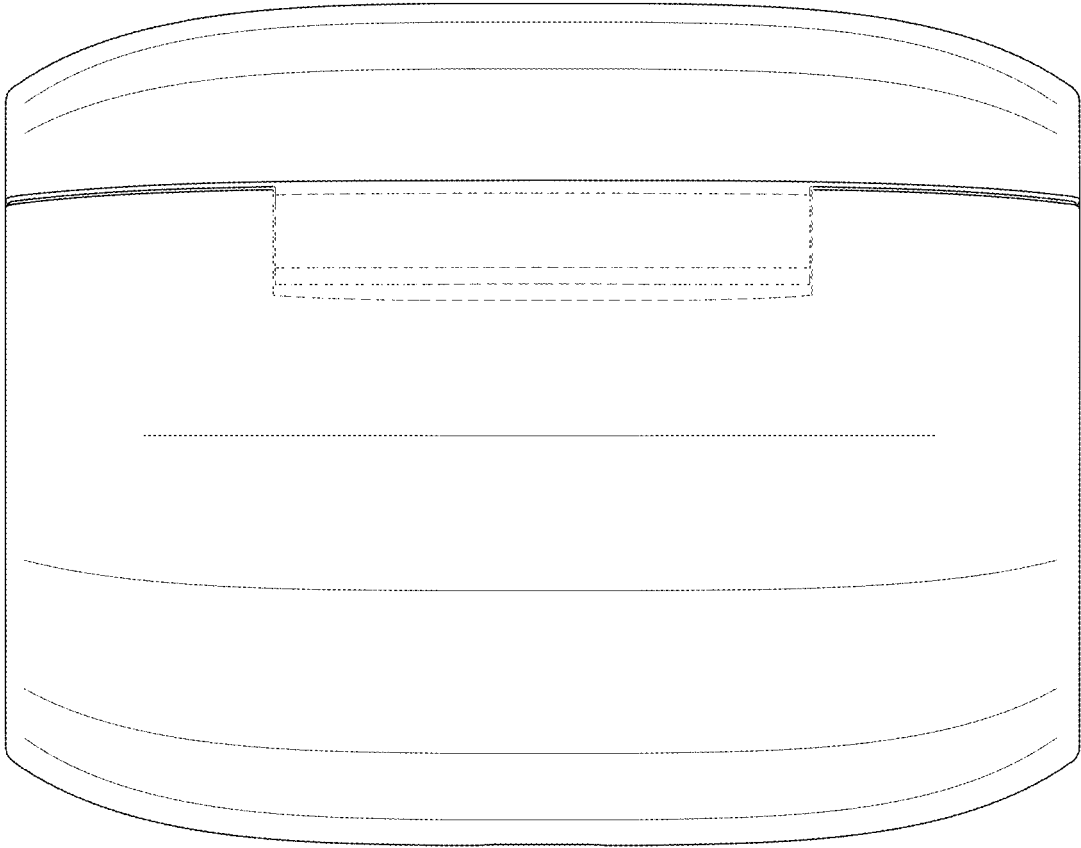


FIG. 6

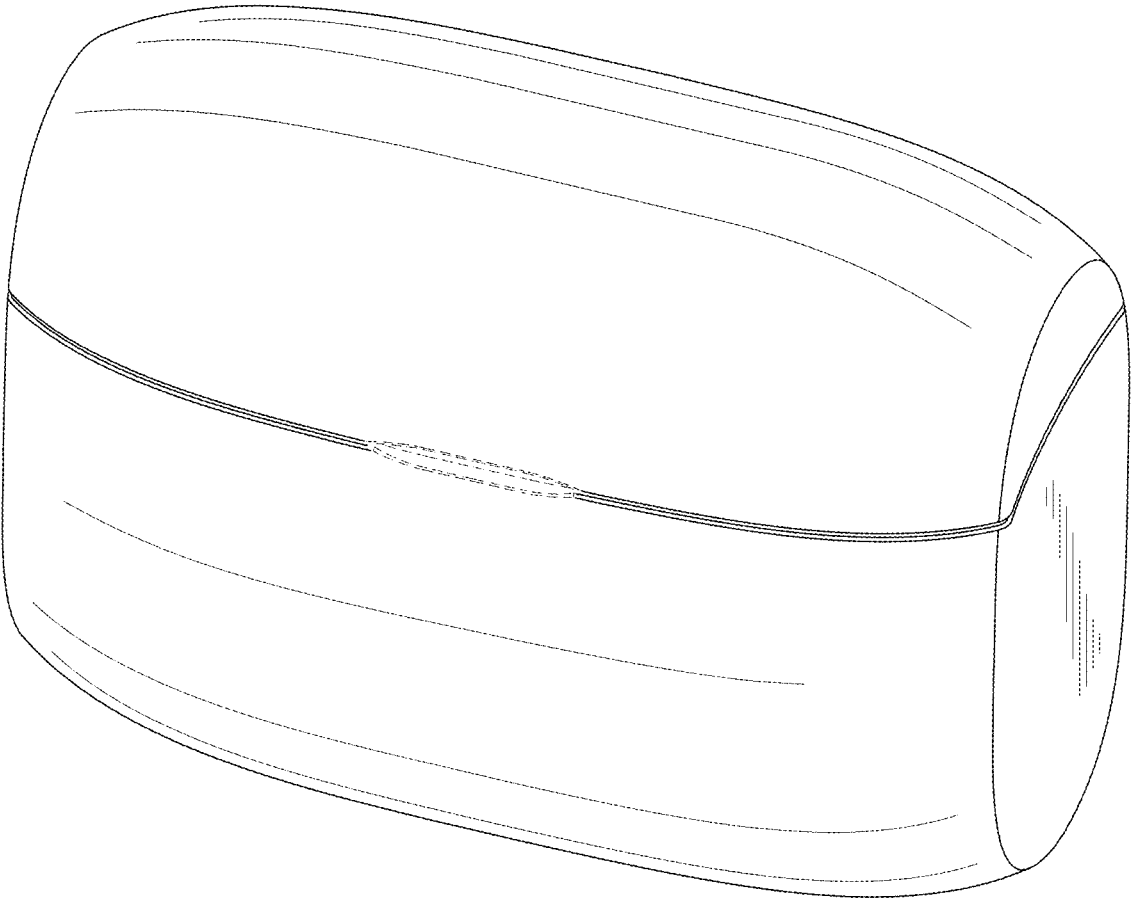


FIG. 7