



US00D680271S

(12) **United States Design Patent**
Grabes et al.

(10) **Patent No.:** **US D680,271 S**

(45) **Date of Patent:** **** Apr. 16, 2013**

(54) **SHAVER**

(75) Inventors: **Oliver Grabes**, Frankfurt (DE); **Björn Kling**, Glashütten (DE); **Rory McGarry**, Frankfurt (DE); **Markus Orthey**, Mainz (DE); **Gregor Ptok**, Frankfurt (DE); **Fritz Schubert**, Bad Camberg (DE); **Bernhard Sikora**, Kelkheim (DE); **Renke Joris Thye**, Westerstede (DE); **Phong Duy Vu**, Schwalbach (DE)

(73) Assignee: **Braun GmbH**, Kronberg (DE)

(**) Term: **14 Years**

(21) Appl. No.: **29/399,838**

(22) Filed: **Aug. 19, 2011**

(30) **Foreign Application Priority Data**

Feb. 24, 2011 (WO) 589146201

(51) **LOC (9) Cl.** **28-03**

(52) **U.S. Cl.**

USPC **D28/51**

(58) **Field of Classification Search** 30/32, 34.05, 30/34.1-34.2, 30-31, 43-43.92, 44-45, 47-51, 30/77-84, 526-541, 346.5-346.61, 194-196, 30/198-205, 208-216, 233-233.5; D28/44-44.1, D28/45-54

See application file for complete search history.

(56) **References Cited**

U.S. PATENT DOCUMENTS

D513,541 S * 1/2006 Nishizawa D28/49

D524,484 S 7/2006 Winkler et al.

(Continued)

FOREIGN PATENT DOCUMENTS

EM 01248447-0001 1/2011

Primary Examiner — Jennifer Rivard

(74) *Attorney, Agent, or Firm* — David K Mattheis; Kim W Zerby

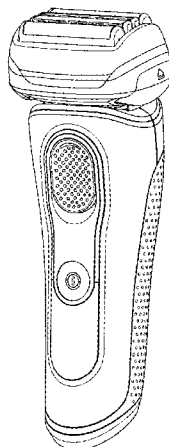
(57) **CLAIM**

The ornamental design for a shaver, as shown and described.

DESCRIPTION

FIG. 1 is a perspective view of a shaver;
FIG. 2 is a front view thereof;
FIG. 3 is a right side view thereof;
FIG. 4 is a rear view thereof;
FIG. 5 is a left side view thereof;
FIG. 6 is a top plan view thereof;
FIG. 7 is a bottom view thereof.
FIG. 8 is a perspective view of a shaver;
FIG. 9 is a front view thereof;
FIG. 10 is a right side view thereof;
FIG. 11 is a rear view thereof;
FIG. 12 is a left side view thereof;
FIG. 13 is a top plan view thereof;
FIG. 14 is a bottom view thereof.
FIG. 15 is a perspective view of a shaver;
FIG. 16 is a front view thereof;
FIG. 17 is a right side view thereof;
FIG. 18 is a rear view thereof;
FIG. 19 is a left side view thereof;
FIG. 20 is a top plan view thereof;
FIG. 21 is a bottom view thereof.
FIG. 22 is a perspective view of a shaver;
FIG. 23 is a front view thereof;
FIG. 24 is a right side view thereof;
FIG. 25 is a rear view thereof;
FIG. 26 is a left side view thereof;
FIG. 27 is a top plan view thereof;
FIG. 28 is a bottom view thereof.
FIG. 29 is a perspective view of a shaver;
FIG. 30 is a front view thereof;
FIG. 31 is a right side view thereof;
FIG. 32 is a rear view thereof;
FIG. 33 is a left side view thereof;
FIG. 34 is a top plan view thereof; and,
FIG. 35 is a bottom view thereof.

1 Claim, 35 Drawing Sheets



US D680,271 S

Page 2

U.S. PATENT DOCUMENTS			
D551,801	S *	9/2007	Ullmann D28/51
D571,957	S *	6/2008	Nishizawa D28/51
D571,960	S *	6/2008	Nishizawa D28/54
D572,408	S *	7/2008	Nishizawa D28/49
D587,849	S *	3/2009	Nishizawa D28/51
D632,434	S *	2/2011	Maguire et al. D28/51
D655,451	S *	3/2012	Grabes et al. D28/53
D668,387	S *	10/2012	Grabes et al. D28/51
2009/0133264	A1 *	5/2009	Eichhorn et al. 30/43.1
2011/0179648	A1 *	7/2011	Sakon et al. 30/34.2

* cited by examiner

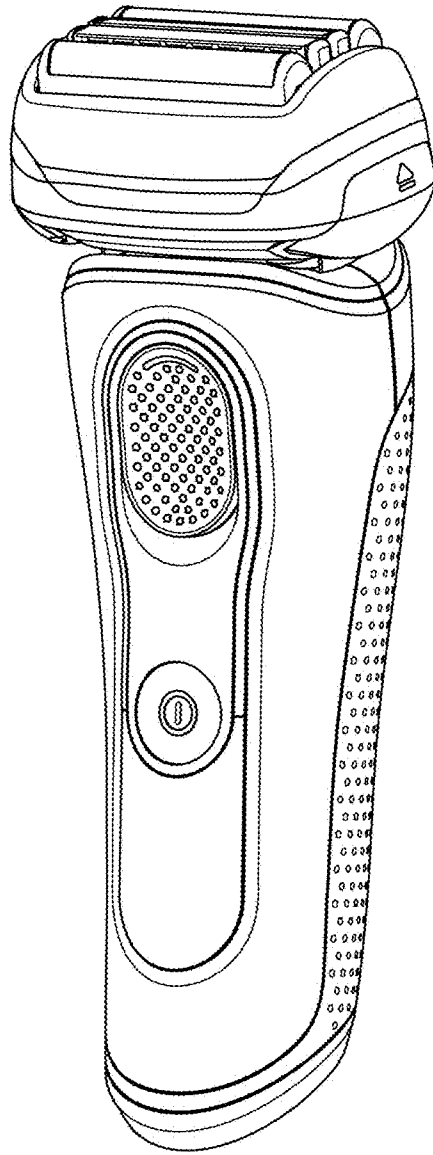


Fig. 1

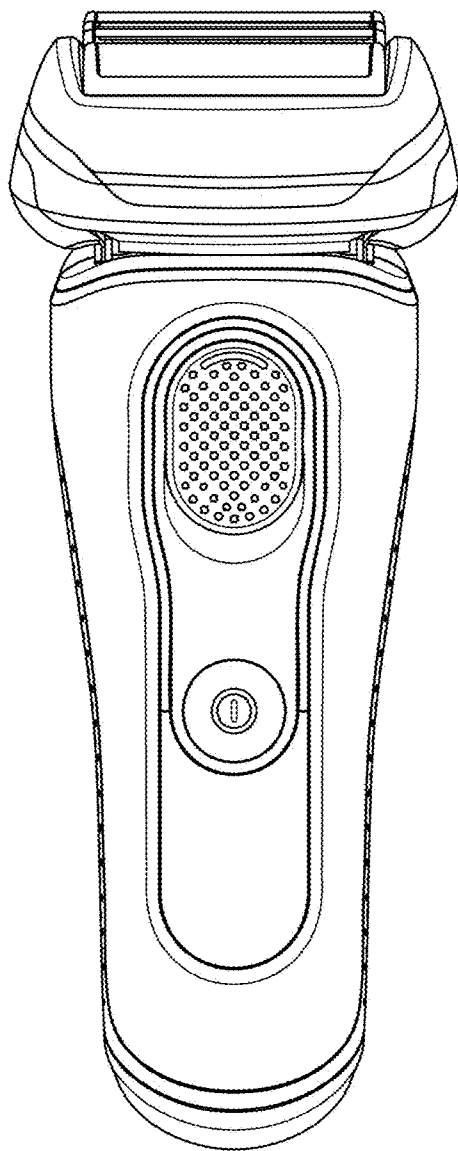


Fig. 2

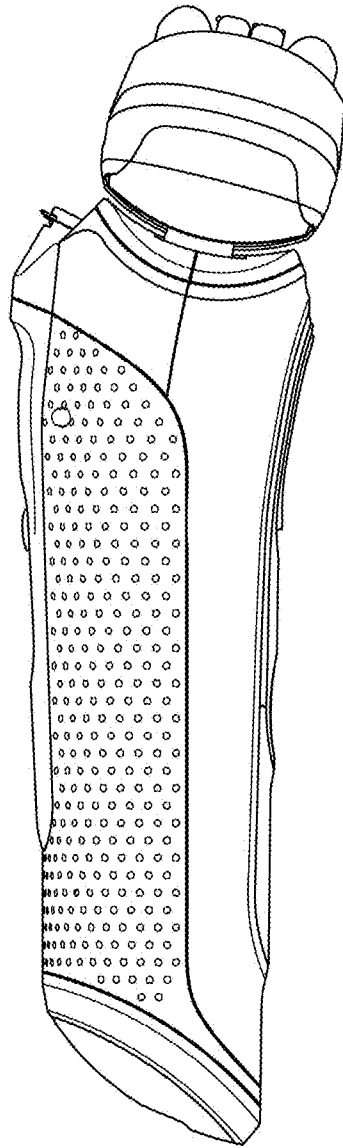


Fig. 3

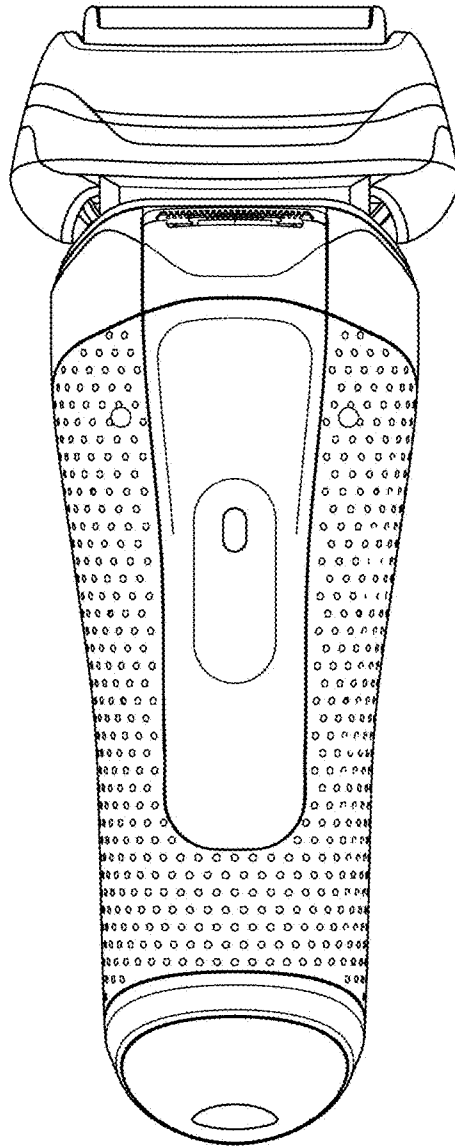


Fig. 4

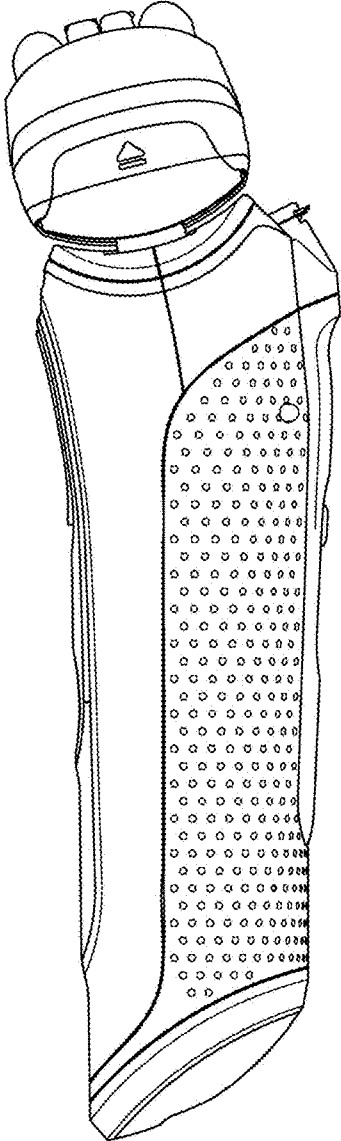


Fig. 5

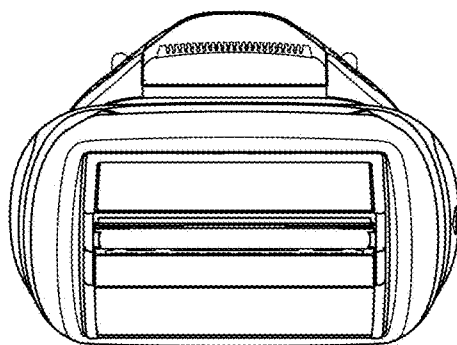


Fig. 6

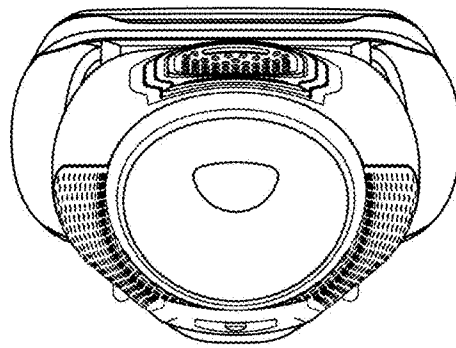


Fig. 7

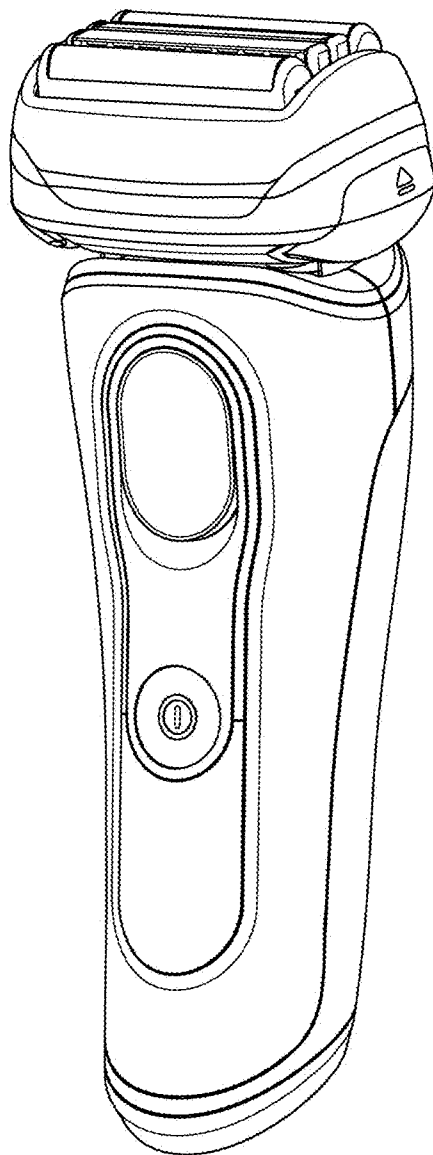


Fig. 8

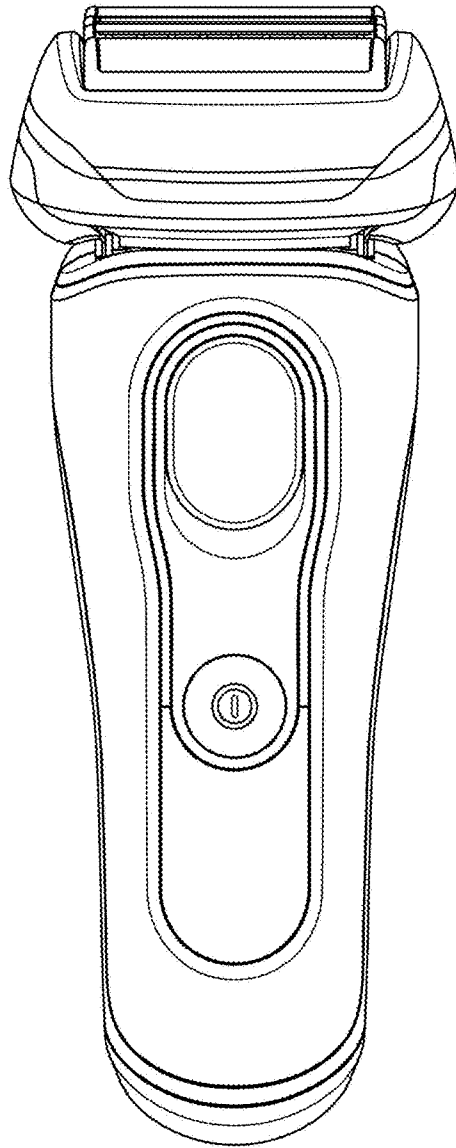


Fig. 9

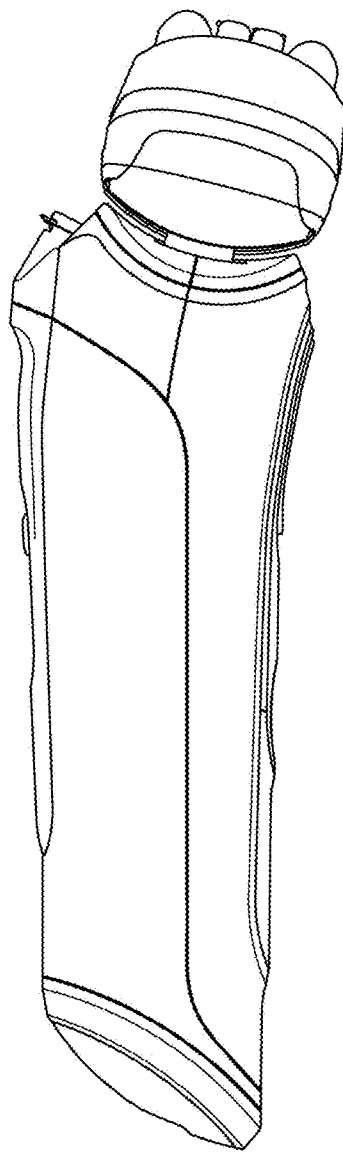


Fig. 10

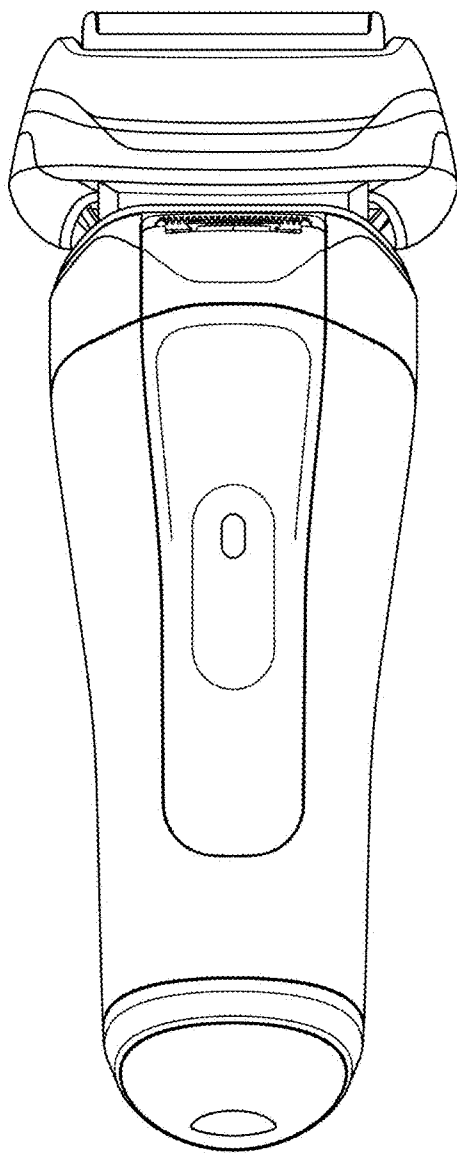


Fig. 11

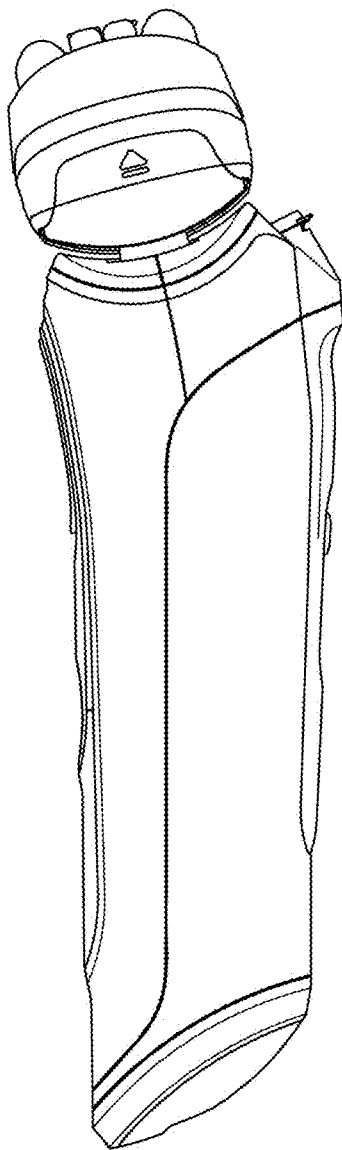


Fig. 12

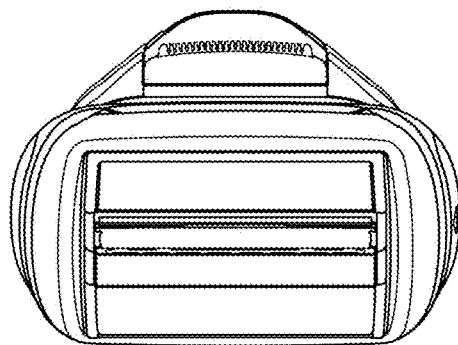


Fig. 13

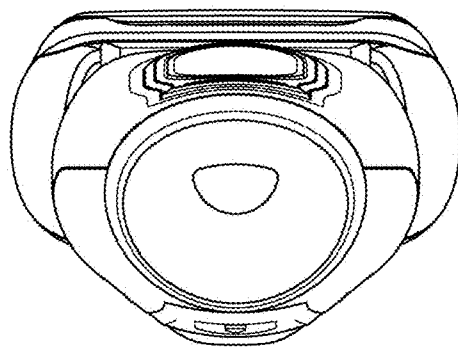


Fig. 14



Fig. 15



Fig. 16



Fig. 17



Fig. 18



Fig. 19

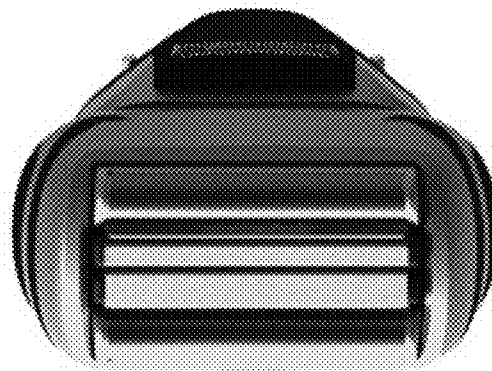


Fig. 20



Fig. 21



Fig. 22



Fig. 23

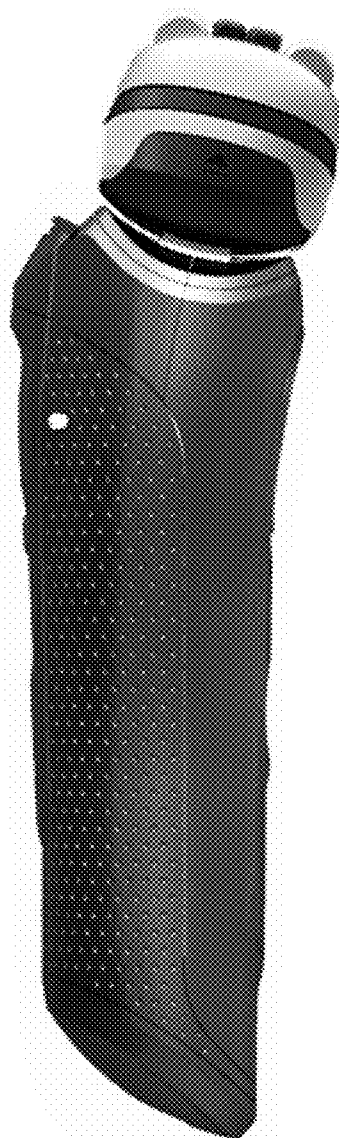


Fig. 24



Fig. 25



Fig. 26

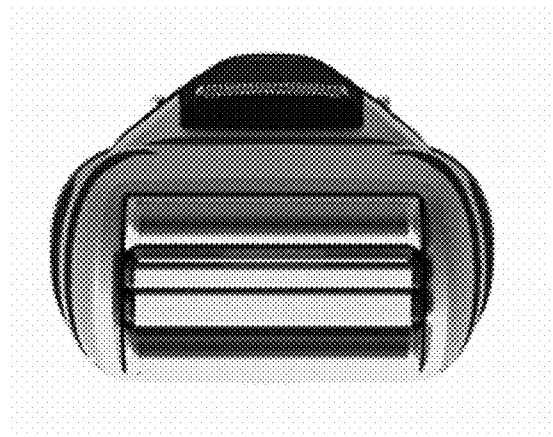


Fig. 27

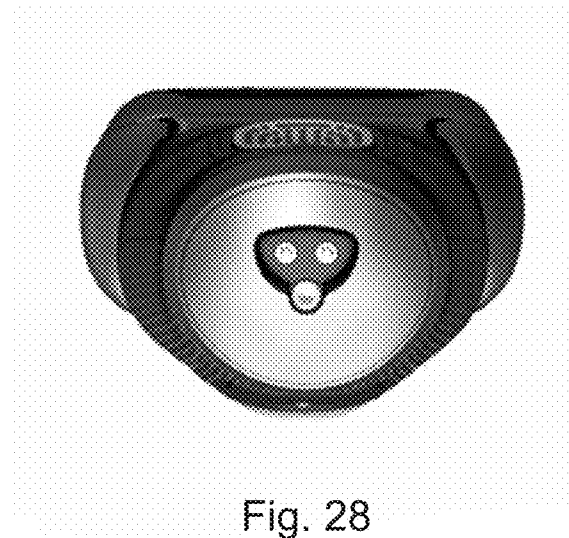


Fig. 28



Fig. 29



Fig. 30



Fig. 31



Fig. 32



Fig. 33

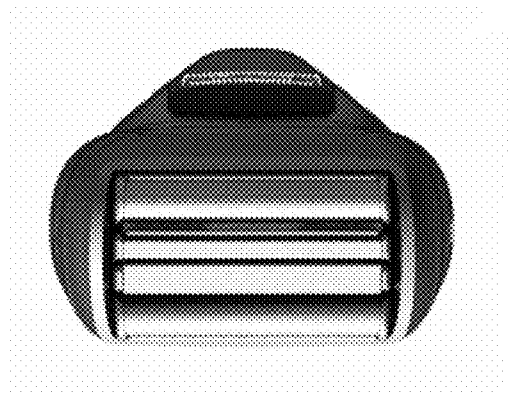


Fig. 34



Fig. 35