



US00D706340S

(12) **United States Design Patent**
Lee et al.

(10) **Patent No.:** **US D706,340 S**

(45) **Date of Patent:** **** Jun. 3, 2014**

(54) **ROTARY TORQUE TRANSFER UNIT**

FOREIGN PATENT DOCUMENTS

(71) Applicant: **Baiksan OPC Co., Ltd.**, Chungbuk-do (KR)

JP	10-153942	6/1998	G03G 21/18
JP	2001-324909	11/2001	G03G 21/18
KR	2003-0026641	4/2003	G03G 15/00
WO	WO 2008/078836	7/2008	G03G 21/18

(72) Inventors: **Bum Jin Lee**, Chungbuk (KR); **Chang Rae Seong**, Chungbuk (KR); **Jang Soon Park**, Gyeonggi-do (KR)

Primary Examiner — Elizabeth Albert

(74) *Attorney, Agent, or Firm* — Kusner & Jaffe

(73) Assignees: **Baiksan OPC Co., Ltd.**, Jinchun-Gun Chungbuk-Do (KR); **Jang Soon Park**, Gyeonggi-Do (KR)

(57) **CLAIM**

The ornamental design for a rotary torque transfer unit, as shown and described.

(**) Term: **14 Years**

DESCRIPTION

(21) Appl. No.: **29/445,619**

FIG. 1 is a perspective view of a rotary torque transfer unit showing our new design;

(22) Filed: **Feb. 14, 2013**

FIG. 2 is a front view thereof;

(51) **LOC (10) Cl.** **16-03**

FIG. 3 is a back view thereof;

(52) **U.S. Cl.**

FIG. 4 is a left side view thereof;

USPC **D18/43**

FIG. 5 is a right side view thereof;

(58) **Field of Classification Search**

USPC D14/471; D18/12, 36, 40, 43, 44, 56; 222/DIG. 1; 347/197, 222; 399/24-28, 399/107-112, 119, 121, 122, 167, 222-224
See application file for complete search history.

FIG. 6 is a top view thereof;

FIG. 7 is a bottom view thereof;

FIG. 8 is a perspective view of the back end thereof;

FIG. 9 is an enlarged perspective view of the front end portion thereof;

FIG. 10 is an enlarged cross-section view thereof, taken along line 10-10 of FIG. 9;

FIG. 11 is an enlarged cross-section view thereof, taken along line 11-11 of FIG. 9; and,

FIG. 12 is a perspective view thereof, shown aligned for connection with a gear element.

The broken lines in FIGS. 2 and 3 are included to show portions of the rotary torque transfer unit which form no part of the claimed design.

The broken lines in FIG. 9 show the detailed view and form no part of the claimed design.

The broken lines in FIG. 12 show the environment for the rotary torque transfer unit and form no part of the claimed design.

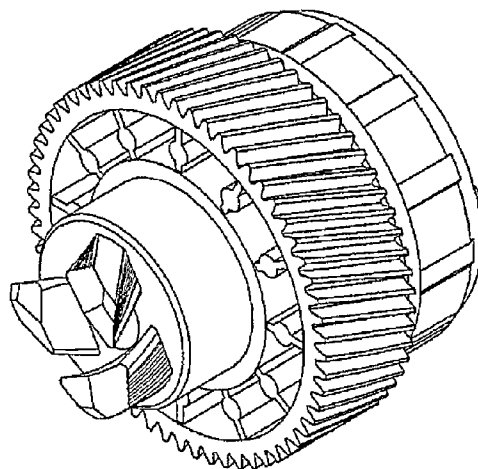
(56) **References Cited**

U.S. PATENT DOCUMENTS

D267,254 S	12/1982	Jolliffe	D18/12
D268,846 S	5/1983	Jolliffe	D18/12
5,903,803 A	5/1999	Kawai et al.	399/116
6,006,058 A	12/1999	Watanabe et al.	399/167
6,029,032 A	2/2000	Watanabe et al.	399/111
D432,916 S	10/2000	Drinkwater et al.	D18/43
6,169,866 B1	1/2001	Watanabe et al.	399/111
6,324,363 B1	11/2001	Watanabe et al.	399/111
6,330,409 B1	12/2001	Watanabe et al.	399/111
6,336,018 B1	1/2002	Kawai et al.	399/117

(Continued)

1 Claim, 6 Drawing Sheets



(56)

References Cited

U.S. PATENT DOCUMENTS

6,892,042	B2	5/2005	Jang et al.	399/167	D678,400	S	*	3/2013	Huck et al.	D18/43
D537,472	S	2/2007	Amano	D18/43	D678,401	S	*	3/2013	Huck et al.	D18/43
D618,720	S	6/2010	Wasai	D18/43	D678,939	S	*	3/2013	Huck et al.	D18/43
D618,721	S	6/2010	Wasai	D18/43	D678,940	S	*	3/2013	Huck et al.	D18/43
7,747,189	B2	6/2010	Shanun et al.	399/109	D679,751	S	*	4/2013	Huck et al.	D18/43
D620,522	S	7/2010	Amano	D18/43	D680,159	S	*	4/2013	Huck et al.	D18/43
D667,049	S	9/2012	Park et al.	8/43	2002/0034398	A1		3/2002	Higeta et al.	399/109
D677,718	S *	3/2013	Huck et al.	D18/43	2007/0036586	A1		2/2007	Funamoto	399/122
D678,398	S *	3/2013	Huck et al.	D18/43	2007/0253734	A1		11/2007	Shin	399/159
D678,399	S *	3/2013	Huck et al.	D18/43	2008/0152388	A1		6/2008	Ueno et al.	399/167
					2010/0196047	A1		8/2010	Jin	399/111
					2013/0058681	A1 *		3/2013	Lee et al.	399/111

* cited by examiner

FIG. 1

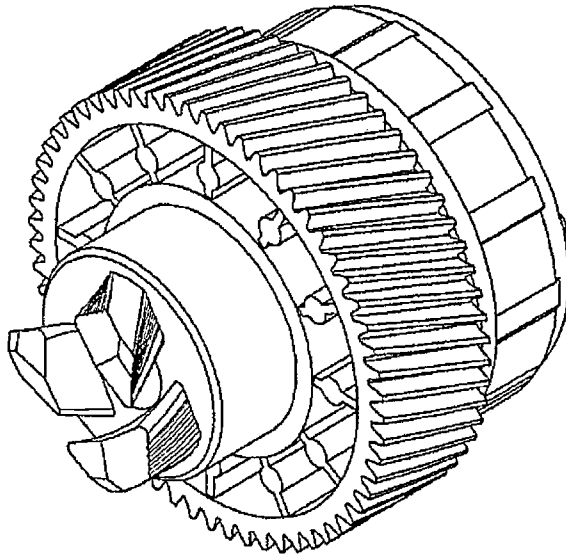


FIG. 2

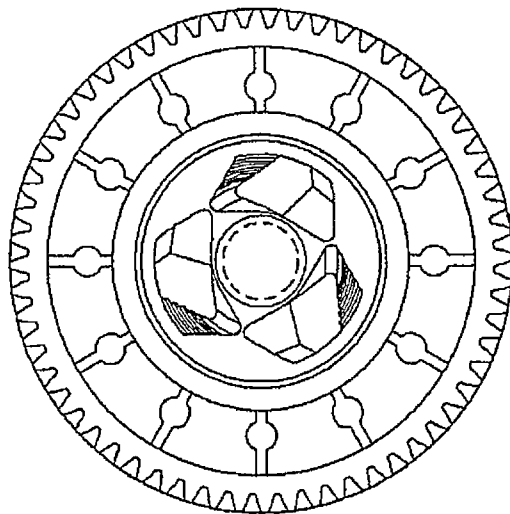


FIG. 3

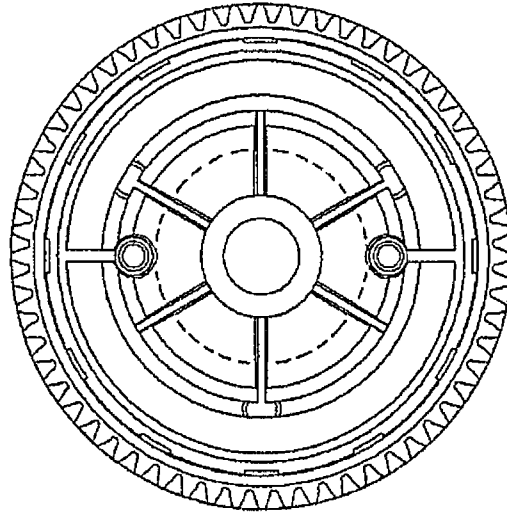


FIG. 4

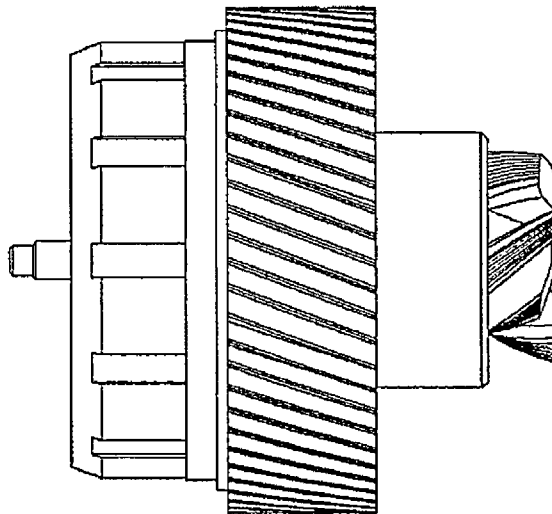


FIG. 5

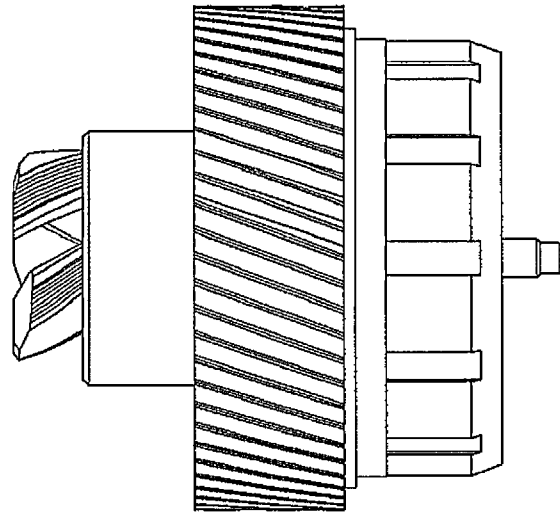


FIG. 6

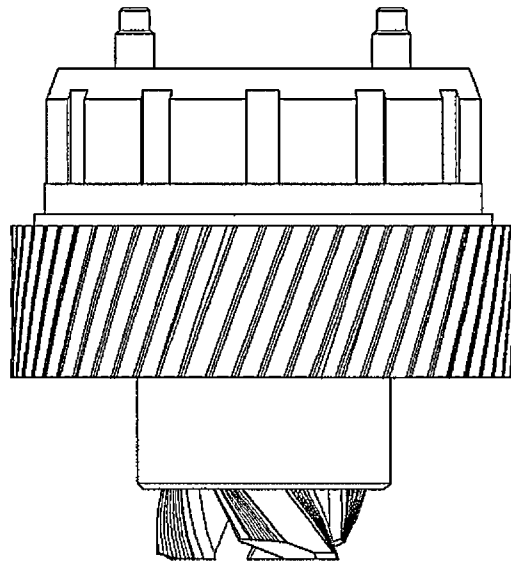


FIG. 7

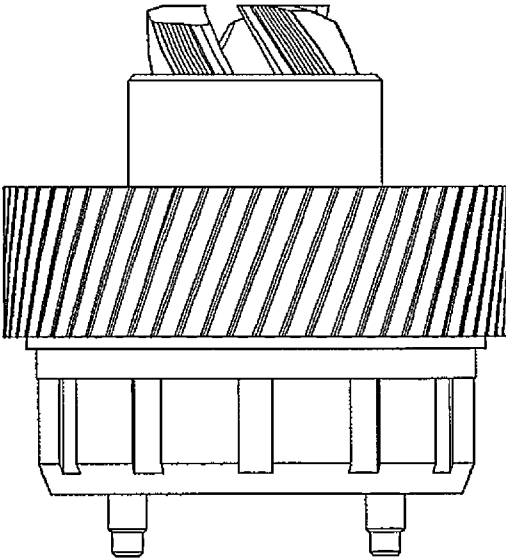


FIG. 8

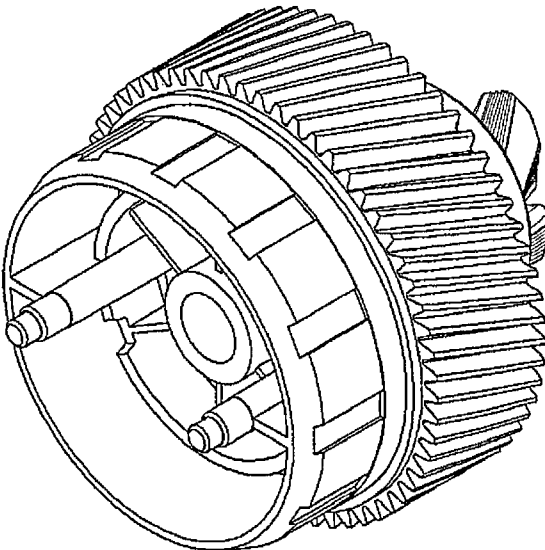


FIG. 9

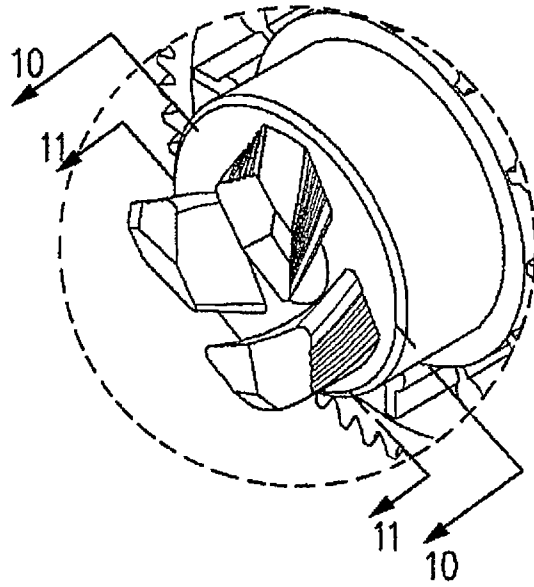


FIG. 10

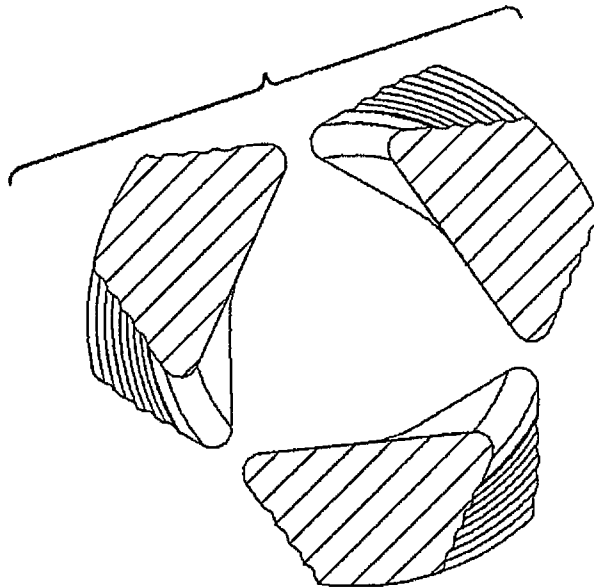


FIG. 11

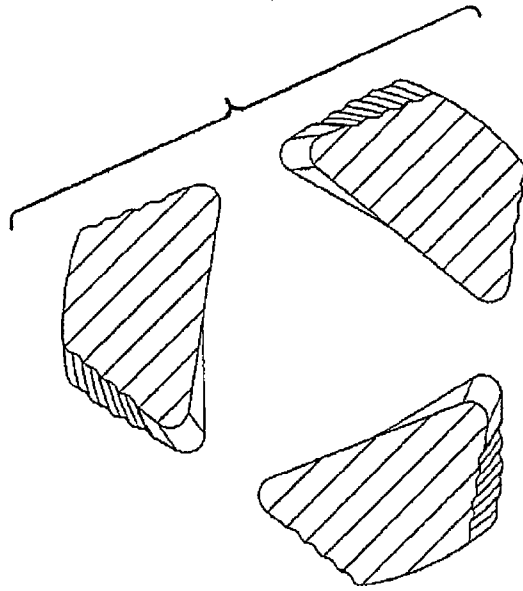
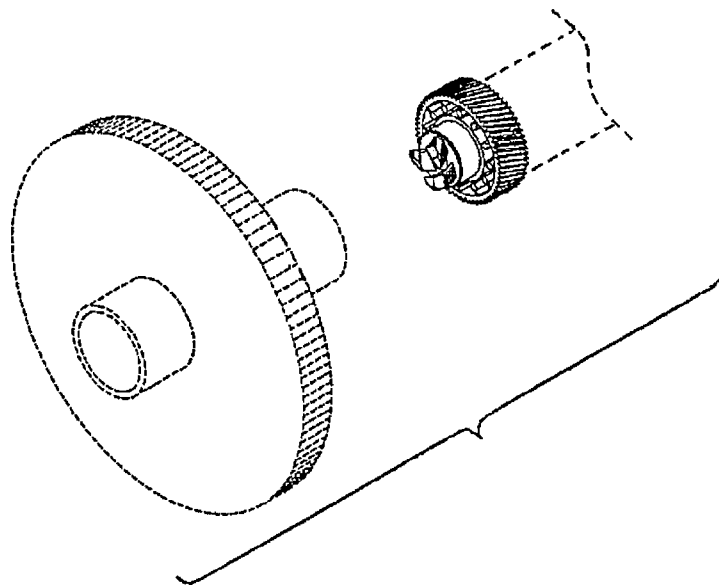


FIG. 12



UNITED STATES PATENT AND TRADEMARK OFFICE
CERTIFICATE OF CORRECTION

PATENT NO. : D706,340 S
APPLICATION NO. : 29/445619
DATED : June 3, 2014
INVENTOR(S) : Lee et al.

Page 1 of 1

It is certified that error appears in the above-identified patent and that said Letters Patent is hereby corrected as shown below:

On the Title Page, Item (71), Line 1, Applicant, replace “Baiksan OPC Co., Ltd., Chungbuk-do (KR)”
with

--Baiksan OPC Co., Ltd., Chungbuk-do (KR)--
--Jang Soon Park, Gyeonggi-do (KR)--.

Signed and Sealed this
Fifth Day of August, 2014



Michelle K. Lee
Deputy Director of the United States Patent and Trademark Office