



US00D948752S

(12) **United States Design Patent** (10) **Patent No.:** **US D948,752 S**
Becker (45) **Date of Patent:** **** Apr. 12, 2022**

(54) **SUPPORT HEAD FOR FORMWORK BEAM**
(71) Applicant: **BRAND SHARED SERVICES LLC**,
Kennesaw, GA (US)
(72) Inventor: **Allan James Becker**, Richmond Hill
(CA)
(**) Term: **15 Years**
(21) Appl. No.: **29/736,169**
(22) Filed: **May 28, 2020**

D258,194 S * 2/1981 Stanley D25/126
D377,751 S * 2/1997 Koebbe D8/355
D487,161 S * 2/2004 Svedberg D25/131
D565,388 S * 4/2008 Concari D8/355
D572,120 S * 7/2008 Concari D8/355
D662,398 S * 6/2012 Jahnke D8/355
D792,614 S * 7/2017 Thomas D25/127
D806,903 S * 1/2018 Fraas D25/126
D806,904 S * 1/2018 DeBellis D25/126
D900,344 S * 10/2020 Becker D25/127
D917,078 S * 4/2021 Becker D25/133
D927,019 S * 8/2021 Becker D25/134
2008/0203252 A1* 8/2008 Becker E04G 17/16
248/218.4
2021/0079670 A1* 3/2021 Becker E04G 11/38

Related U.S. Application Data

(62) Division of application No. 29/659,059, filed on Aug. 6, 2018, now Pat. No. Des. 900,344.

FOREIGN PATENT DOCUMENTS

EM 000117643-0005 * 3/2004
EM 005556537-0002 * 8/2018

Foreign Application Priority Data

Feb. 6, 2018 (CA) CA 179640

* cited by examiner

Primary Examiner — Leanne Was-Englehart

(51) **LOC (13) Cl.** **25-01**
(52) **U.S. Cl.**
USPC **D25/133**
(58) **Field of Classification Search**
USPC D8/349, 354, 355, 363, 373, 380;
D25/126, 127, 128, 131, 132, 133, 134
CPC E04G 17/16; E04H 12/24; E04H 17/20;
F21W 2131/109
See application file for complete search history.

(57) **CLAIM**

The ornamental design for a support head for formwork beam, as shown and described.

DESCRIPTION

FIG. 1 is a front perspective view of a support head for formwork beam, illustrating the design;
FIG. 2 is a front view thereof;
FIG. 3 is a back view thereof;
FIG. 4 is a left side view thereof;
FIG. 5 is a right side view thereof;
FIG. 6 is a top view thereof; and,
FIG. 7 is a bottom view thereof.

(56) **References Cited**

U.S. PATENT DOCUMENTS

3,776,499 A * 12/1973 Turner E04G 17/16
248/298.1
3,967,806 A * 7/1976 Strickland E04G 17/16
248/287.1

1 Claim, 7 Drawing Sheets

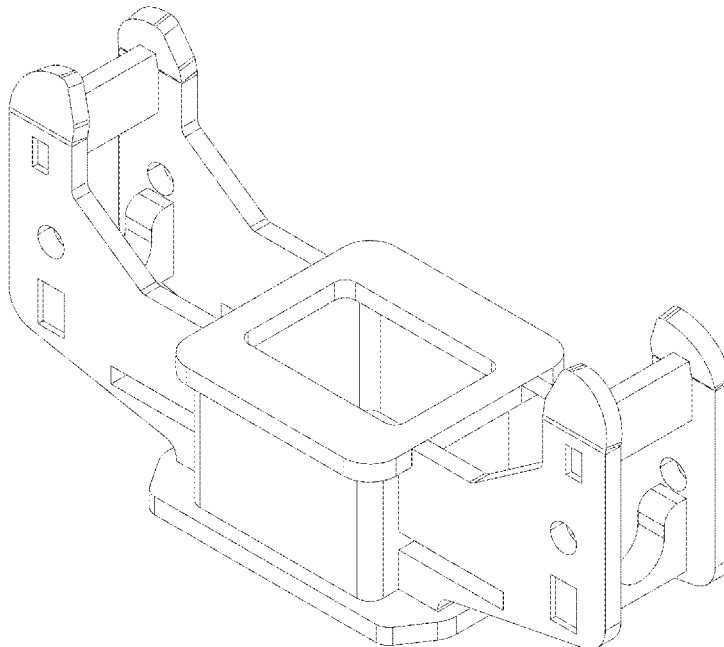


FIG. 1

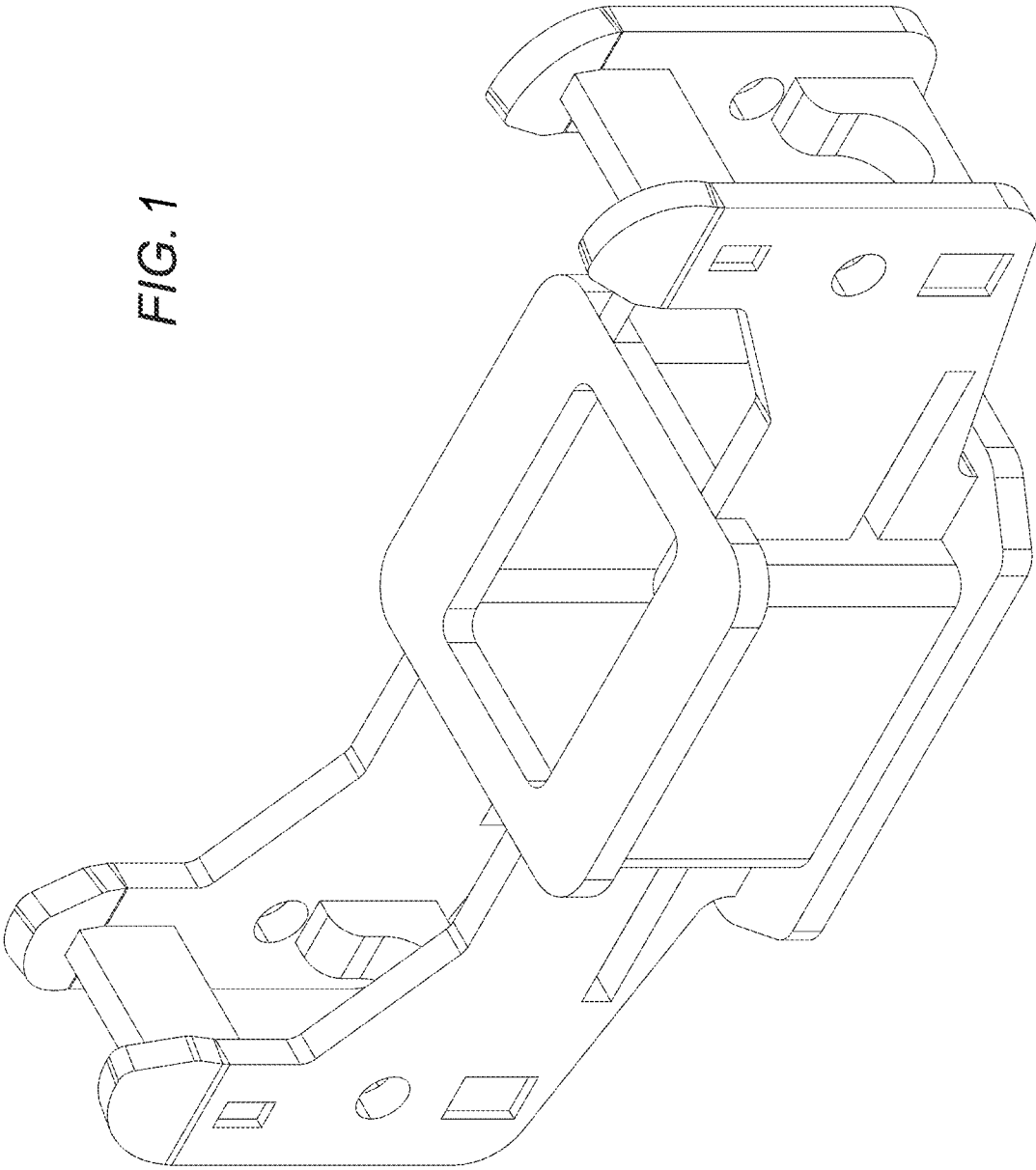


FIG. 2

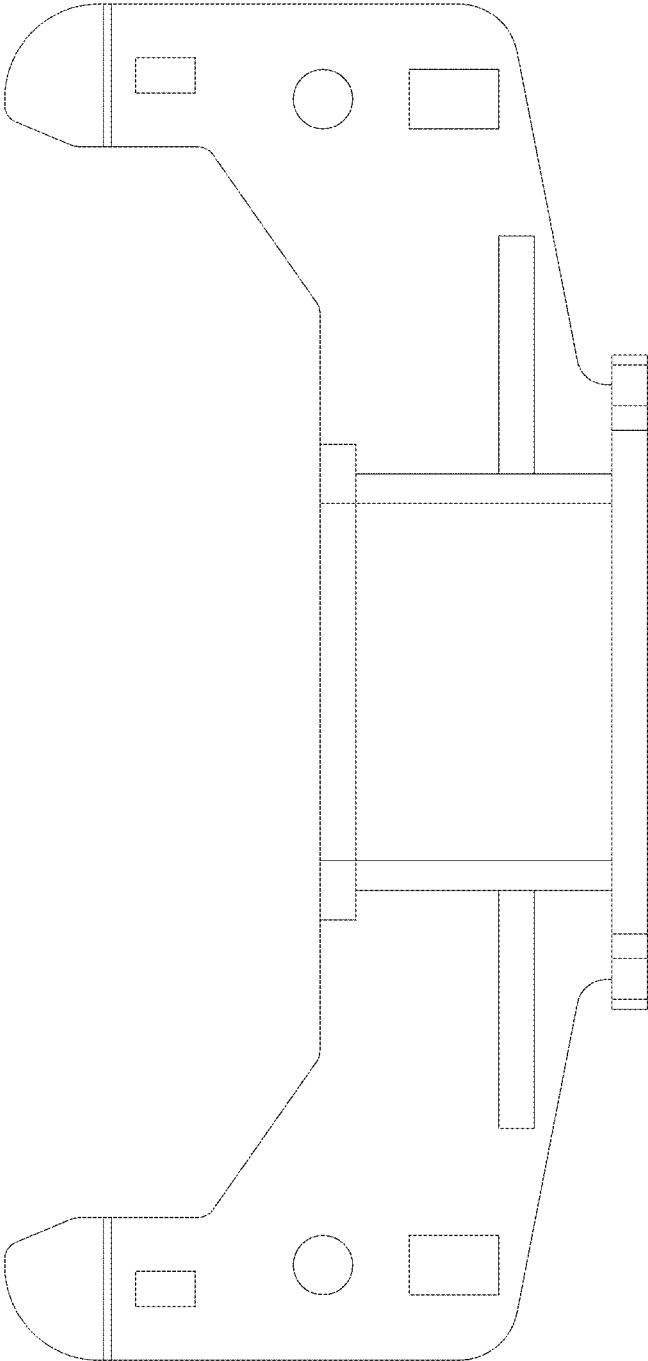


FIG. 3

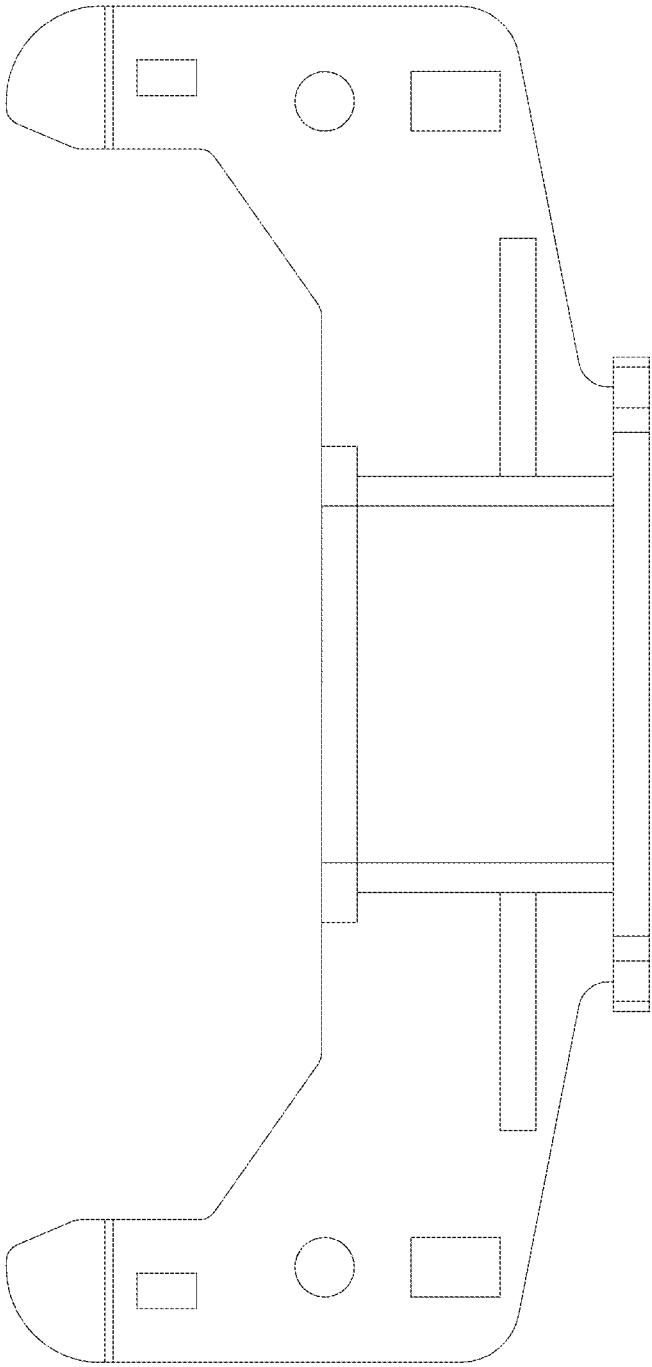


FIG. 4

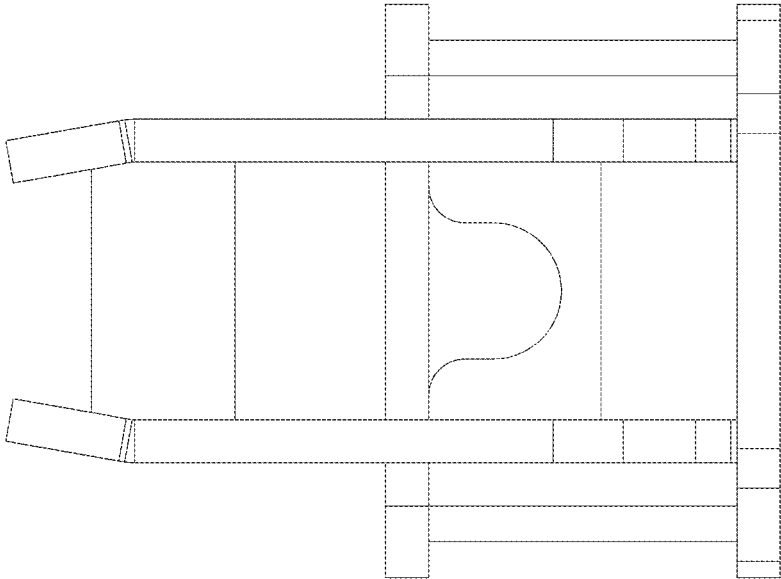


FIG. 5

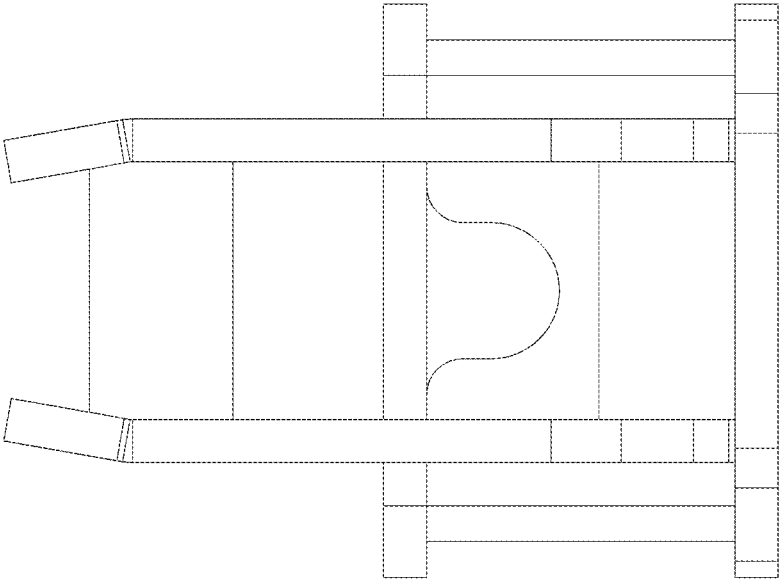


FIG. 6

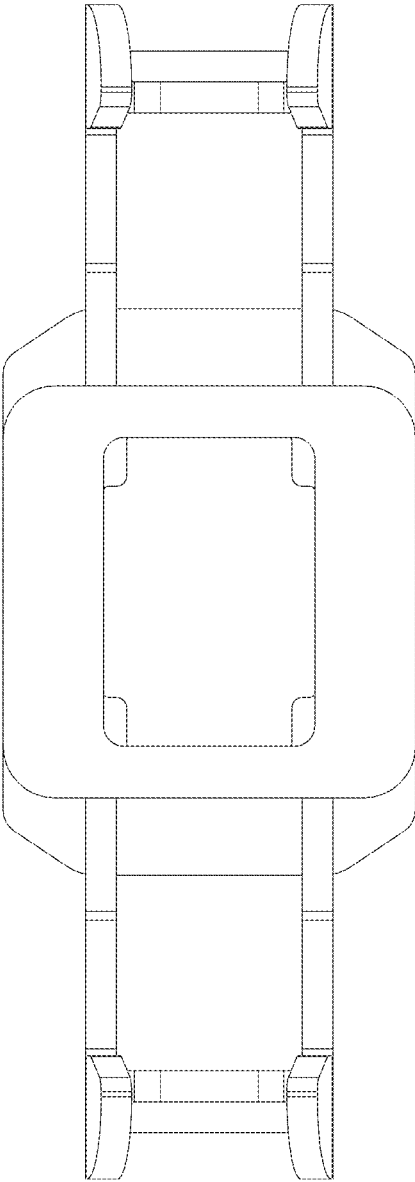


FIG. 7

