



US00D884397S

(12) **United States Design Patent**
Stafford et al.

(10) **Patent No.:** **US D884,397 S**

(45) **Date of Patent:** **** May 19, 2020**

- (54) **DISPLAY UNIT**
- (71) Applicant: **Target Brands, Inc.**, Minneapolis, MN (US)
- (72) Inventors: **William Y. Stafford**, Minnetrista, MN (US); **Daniel K. McDowell**, Minneapolis, MN (US); **Joseph R. Stukenberg**, Minneapolis, MN (US); **Ian Jindrich**, Rockford, IL (US); **Stanley J. Valiulis**, Rockford, IL (US); **Gabriel Garduno**, Minneapolis, MN (US)
- (73) Assignee: **Target Brands, Inc.**, Minneapolis, MN (US)
- (**) Term: **15 Years**

| | | | |
|---------------|---------|----------------|------------|
| 4,733,782 A | 3/1988 | Spezial et al. | |
| 4,934,645 A | 6/1990 | Breslow | |
| 5,253,770 A | 10/1993 | Rosenthal | |
| 5,427,255 A | 6/1995 | Nook | |
| 5,573,124 A | 11/1996 | Frost | |
| 5,607,070 A * | 3/1997 | Hellyer | A47F 5/108 |
| | | | 211/189 |
| D391,101 S * | 2/1998 | Robertson | D6/708 |
| D391,102 S * | 2/1998 | Robertson | D6/708 |
| 5,738,019 A | 4/1998 | Parker | |
| D394,360 S * | 5/1998 | Geier | D34/21 |
| D394,964 S * | 6/1998 | Geier | D6/680.2 |
| D400,737 S * | 11/1998 | DePottey | D6/682.4 |
| 5,918,750 A | 7/1999 | Jackson | |
| D431,937 S * | 10/2000 | Heiny | D6/675.1 |
| D436,762 S * | 1/2001 | Heiny | D6/675 |
| D439,768 S * | 4/2001 | Heiny | D6/672 |
| 6,241,107 B1 | 6/2001 | Boyer | |
| 6,659,294 B1 | 12/2003 | Simard | |
| D514,269 S * | 1/2006 | Polidoros | D34/17 |

(Continued)

- (21) Appl. No.: **29/669,289**
- (22) Filed: **Nov. 7, 2018**
- (51) **LOC (12) Cl.** **06-06**
- (52) **U.S. Cl.**
USPC **D6/678.1**
- (58) **Field of Classification Search**
USPC D6/552, 670, 672, 675, 682.2, 683, 708;
D13/184; D16/215
CPC A47F 1/00; A47F 5/025; A47F 9/00
See application file for complete search history.

Primary Examiner — Kelley A Donnelly
(74) *Attorney, Agent, or Firm* — Leanne Taveggia Farrell; Westman, Champlin & Koehler, P.A.

(57) **CLAIM**

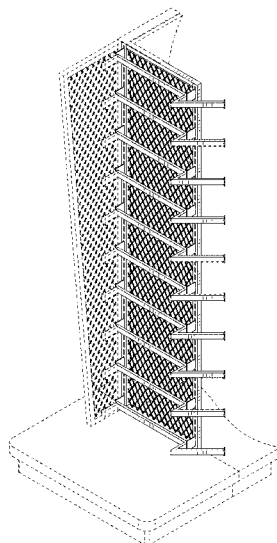
The ornamental design for a display unit, as shown and described.

DESCRIPTION

- (56) **References Cited**
U.S. PATENT DOCUMENTS
- | | | | |
|---------------|---------|----------------|------------|
| 2,710,241 A | 6/1955 | Lieberman | |
| 2,971,805 A | 2/1961 | Weiss | |
| 3,067,882 A | 12/1962 | Ribbens et al. | |
| 3,977,529 A | 8/1976 | Stroh | |
| 4,134,628 A | 1/1979 | Mann | |
| D272,499 S * | 2/1984 | Cuminale | D6/680 |
| 4,429,889 A * | 2/1984 | Westra | B65H 31/00 |
| | | | 211/50 |
| D293,865 S * | 1/1988 | Robertson | D6/678.1 |

FIG. 1 is a perspective view of a display unit showing our new design;
FIG. 2 is a front view thereof;
FIG. 3 is a right side view thereof;
FIG. 4 is a left side view thereof; and,
FIG. 5 is a top view thereof.
The broken lines shown in the drawings are included for purposes of illustrating portions of the display unit and form no part of the claimed design.

1 Claim, 5 Drawing Sheets



(56)

References Cited

U.S. PATENT DOCUMENTS

| | | | | |
|--------------|-----|--------|---------------------|----------|
| 7,175,034 | B2 | 2/2007 | Nook et al. | |
| 7,261,214 | B2 | 8/2007 | Wagner et al. | |
| D565,324 | S * | 4/2008 | Sparkowski | D6/675.2 |
| D573,369 | S * | 7/2008 | Sparkowski | D6/678.3 |
| 7,500,574 | B1 | 3/2009 | Miller, III et al. | |
| 7,954,656 | B1 | 6/2011 | Cuzzocrea | |
| 8,210,368 | B2 | 7/2012 | Schwartzkopf et al. | |
| D751,843 | S * | 3/2016 | Clark | D6/675 |
| 9,357,840 | B2 | 6/2016 | Davis | |
| 2014/0111073 | A1 | 4/2014 | Kunis | |
| 2014/0263128 | A1 | 9/2014 | Garrett et al. | |

* cited by examiner

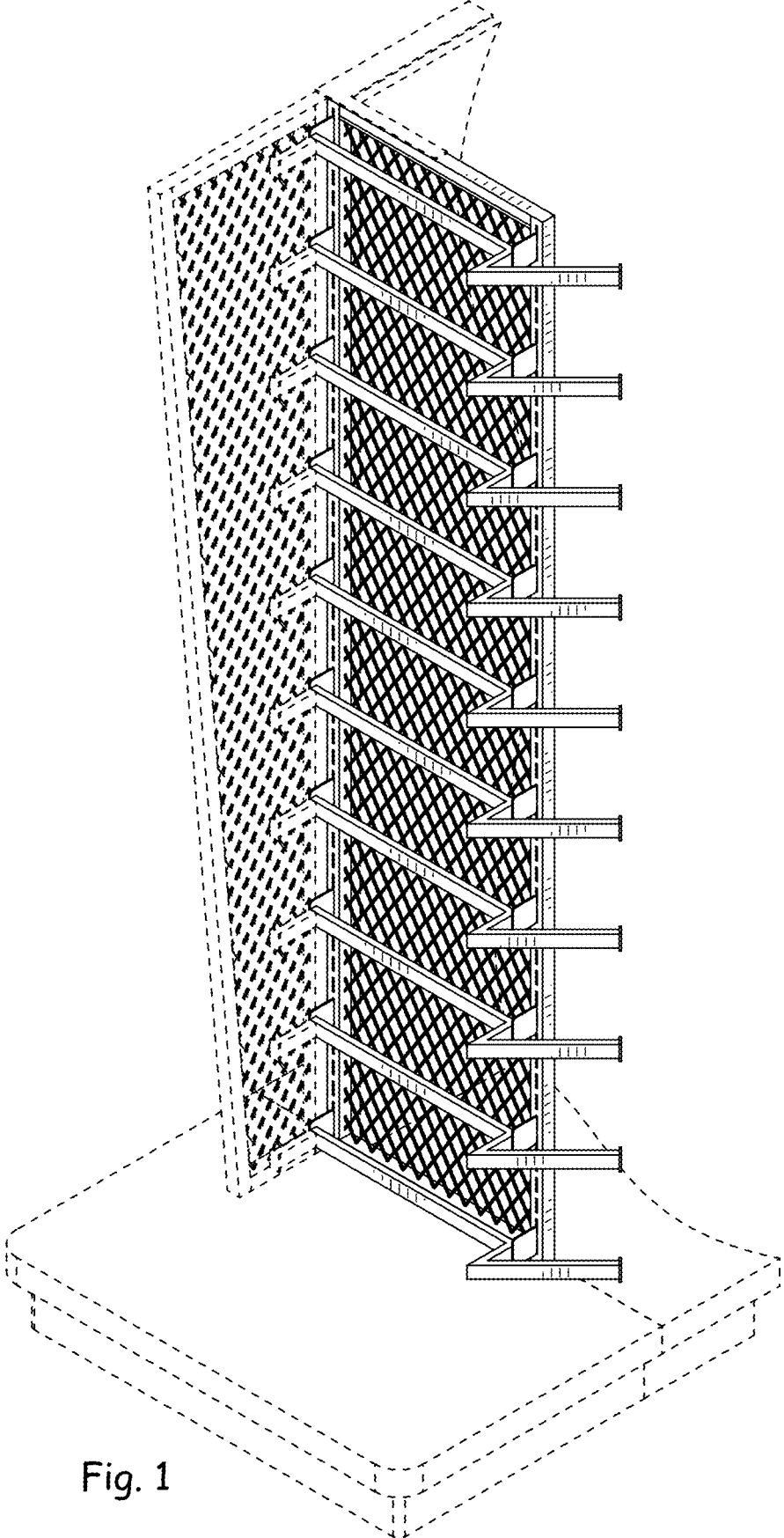


Fig. 1

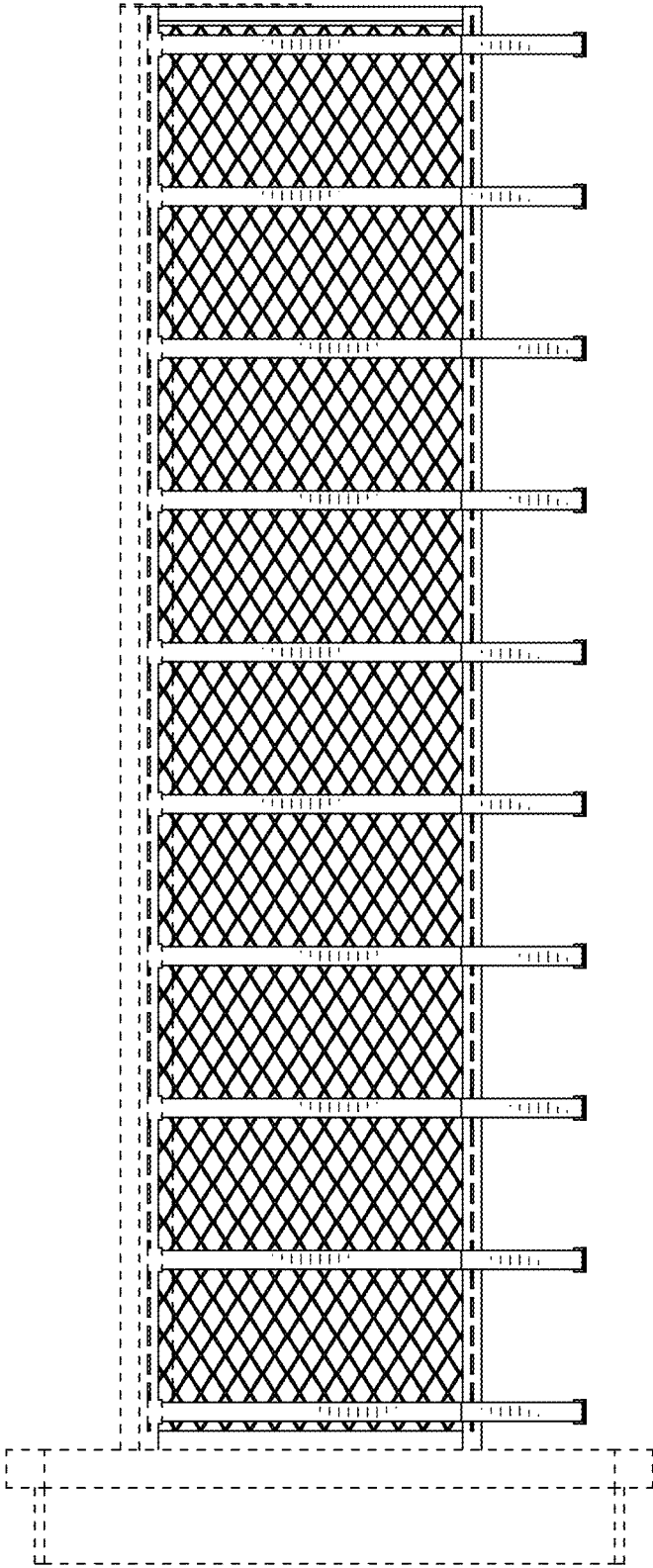


Fig. 2

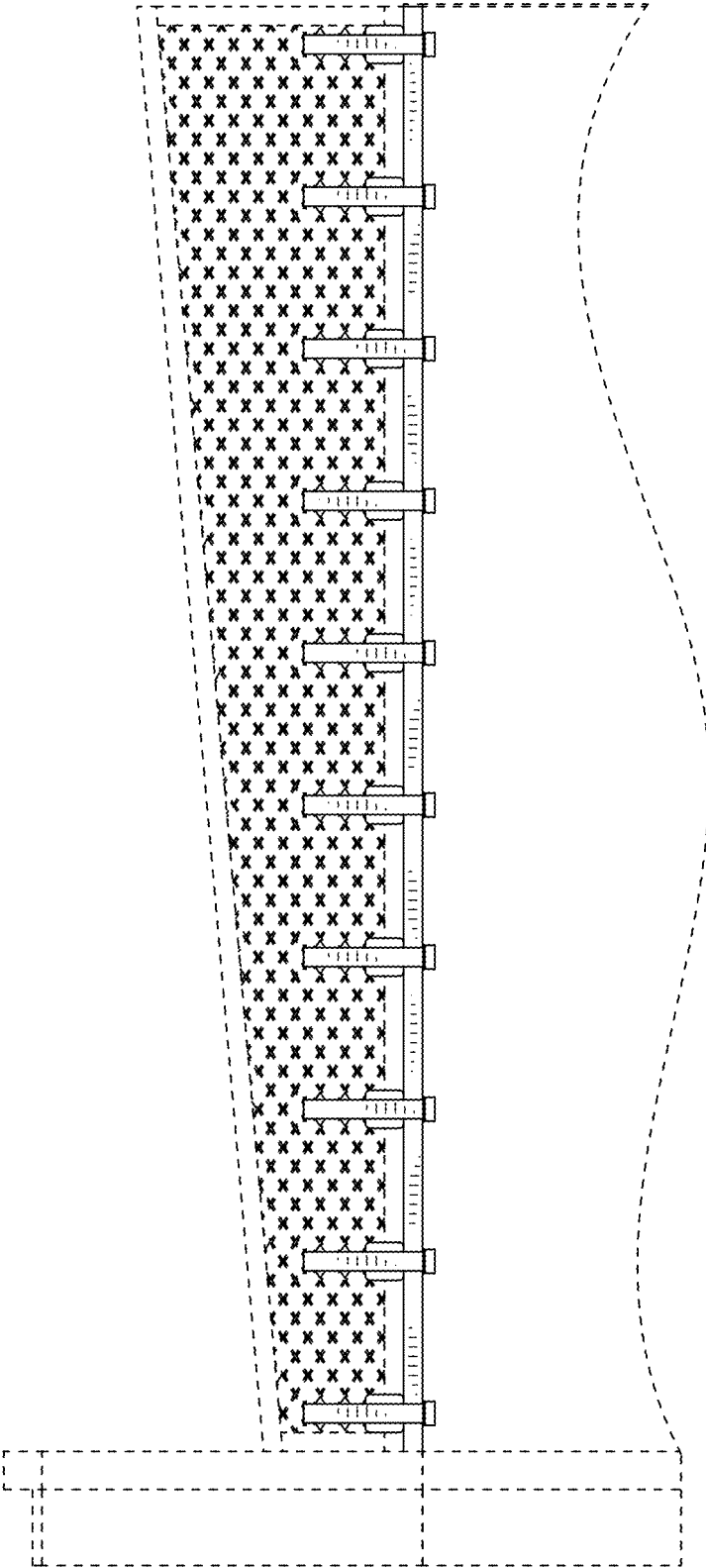


Fig. 3

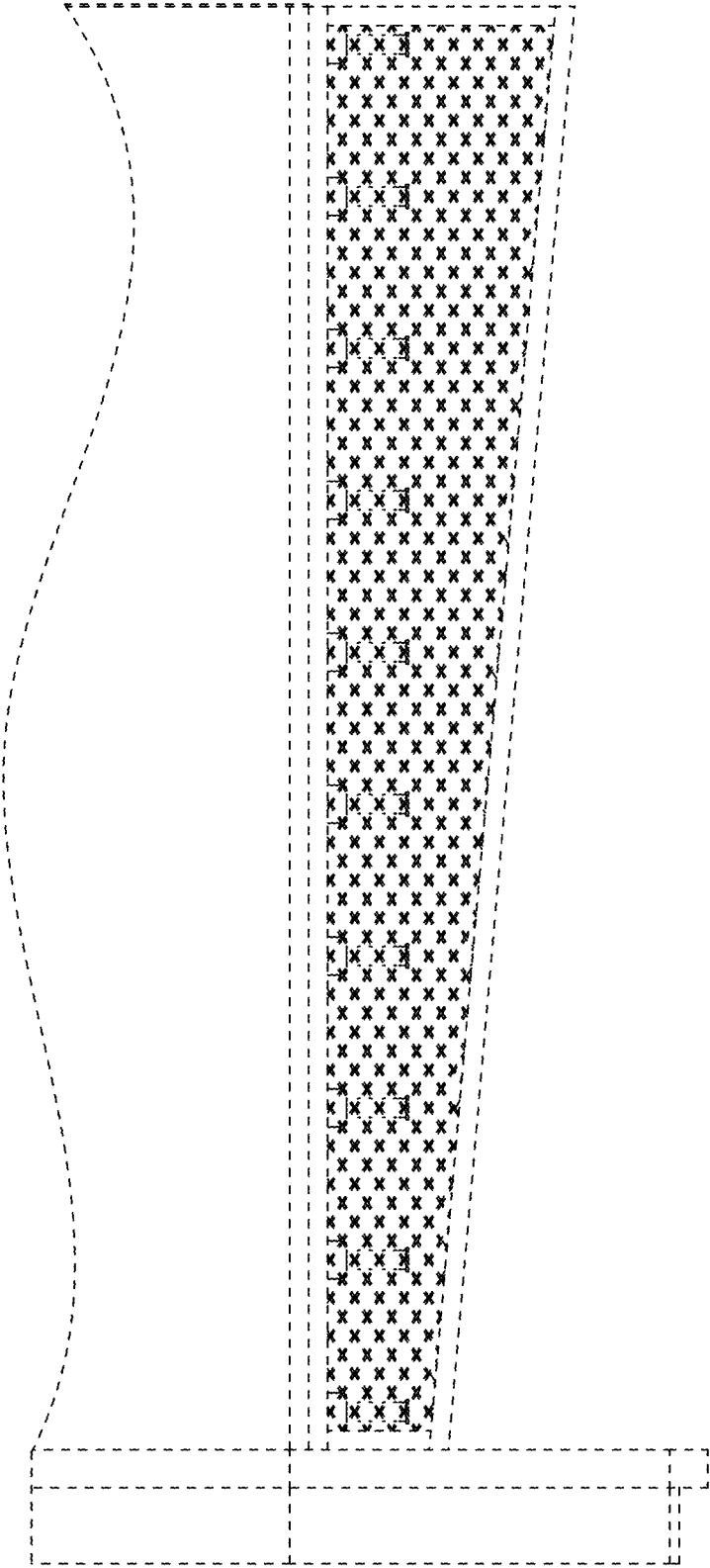


Fig. 4

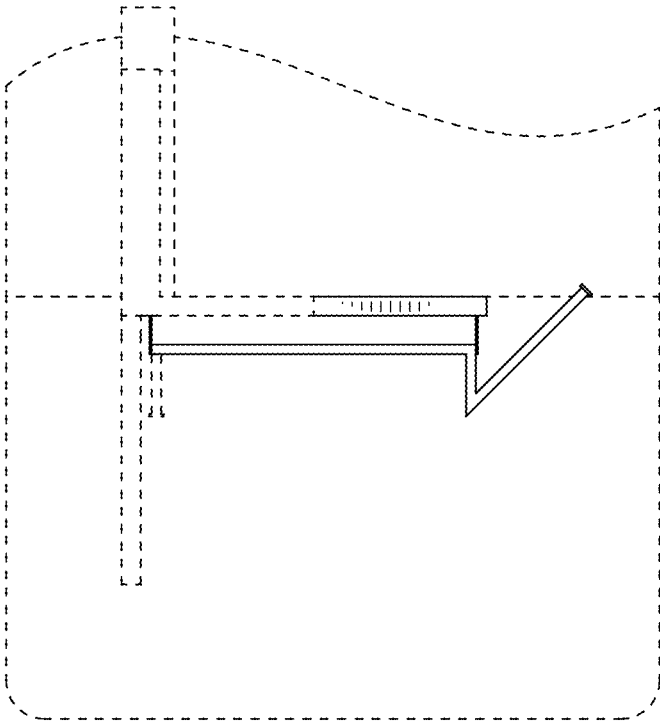


Fig. 5