



US00D703126S

(12) **United States Design Patent**
Tafe et al.

(10) **Patent No.:** **US D703,126 S**

(45) **Date of Patent:** **** Apr. 22, 2014**

(54) **SET OF RADIATOR BRACKETS**
(75) Inventors: **Dan Tafe**, Wilmington, DE (US); **Kevin McCardle**, Wilmington, DE (US)

D638,687 S * 5/2011 Minkley et al. D8/349
D660,134 S * 5/2012 Yoder et al. D8/354
8,424,826 B2 * 4/2013 Santos et al. 248/316.7
8,523,119 B1 * 9/2013 Greer et al. 248/65

(73) Assignee: **Resource Intl, Inc.**, New Castle, DE (US)

* cited by examiner

(**) Term: **14 Years**

Primary Examiner — Sheryl Lane

(21) Appl. No.: **29/412,334**

(74) *Attorney, Agent, or Firm* — QuickPatents; Kevin Prince

(22) Filed: **Feb. 1, 2012**

(57) **CLAIM**

We claim the ornamental design for a set of radiator brackets, as shown and described.

(51) **LOC (10) Cl.** **12-06**

DESCRIPTION

(52) **U.S. Cl.**
USPC **D12/223**

(58) **Field of Classification Search**
USPC D12/223, 414.1; D8/354, 349;
248/354.3, 354.1, 200, 300
See application file for complete search history.

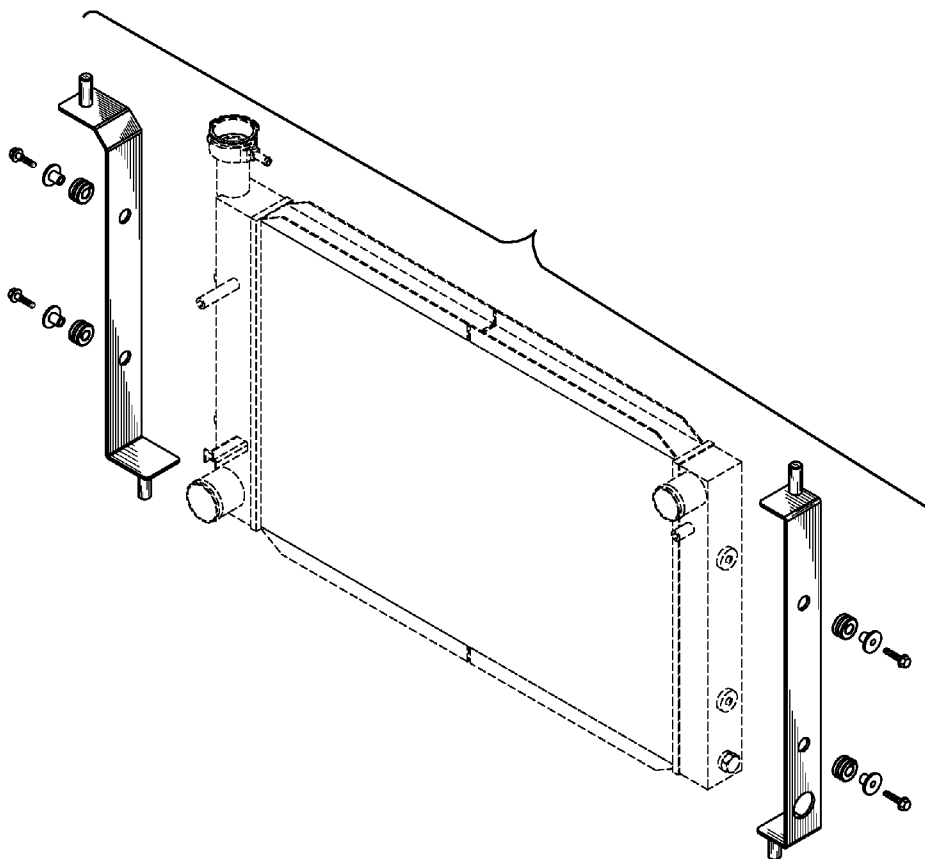
FIG. 1 is an exploded perspective view of a set of radiator brackets, showing our new design;
FIG. 2 is a perspective view thereof;
FIG. 3 is a front elevational view thereof;
FIG. 4 is a rear elevational view thereof;
FIG. 5 is a right-side elevational view thereof;
FIG. 6 is a left-side elevational view thereof;
FIG. 7 is a top plan view thereof; and,
FIG. 8 is a bottom plan view thereof.
The broken lines showing a radiator in the figures depict environmental matter and form no part of the claimed design.

(56) **References Cited**

U.S. PATENT DOCUMENTS

D312,038 S * 11/1990 Sachs D8/371
D398,820 S * 9/1998 Cougar D8/14
D423,910 S * 5/2000 Cyrell D8/349
D628,459 S * 12/2010 Minkley et al. D8/349

1 Claim, 3 Drawing Sheets



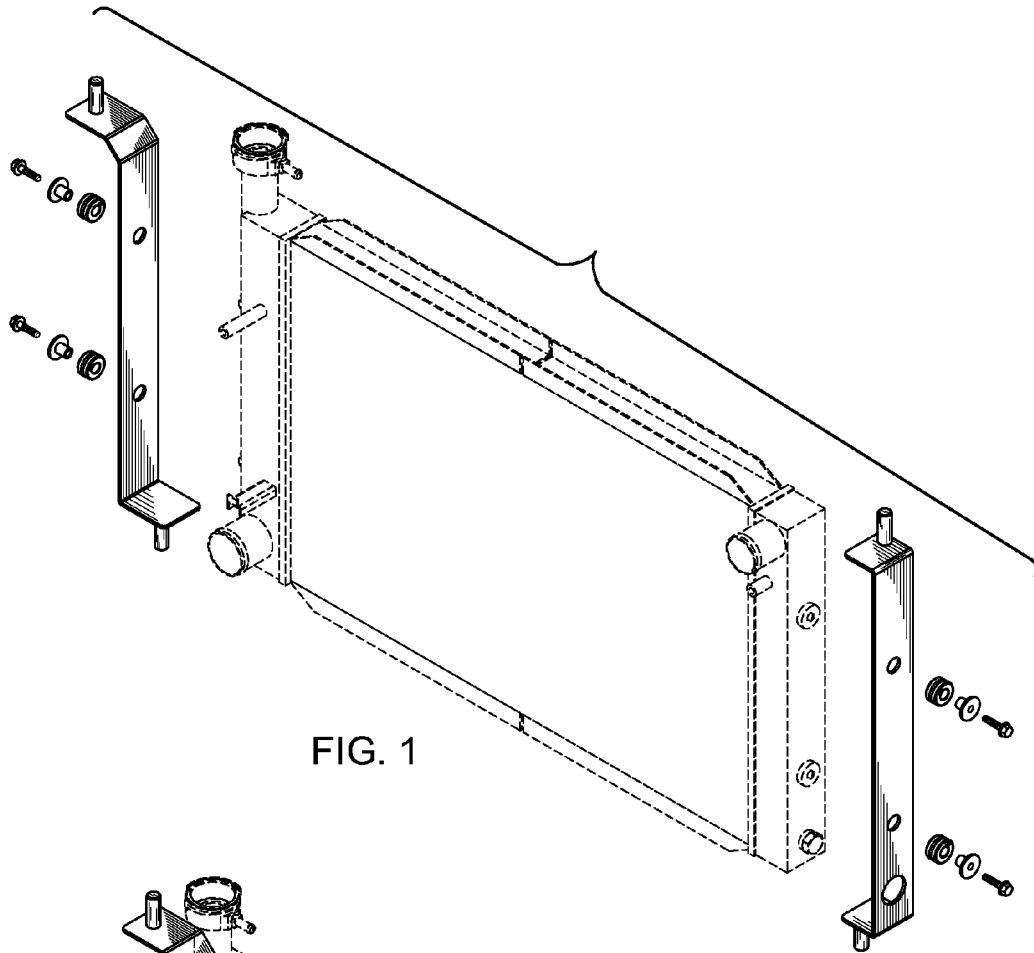


FIG. 1

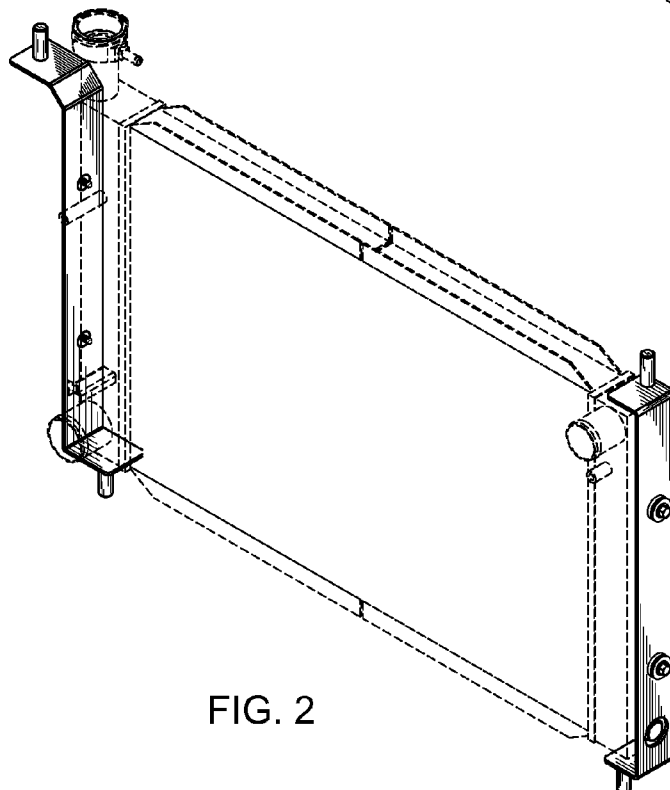


FIG. 2

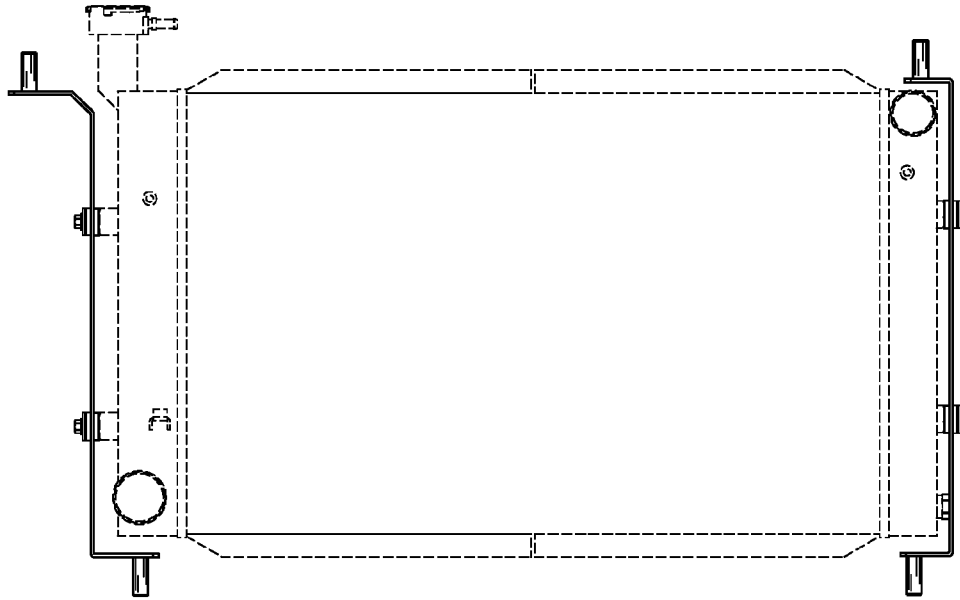


FIG. 3

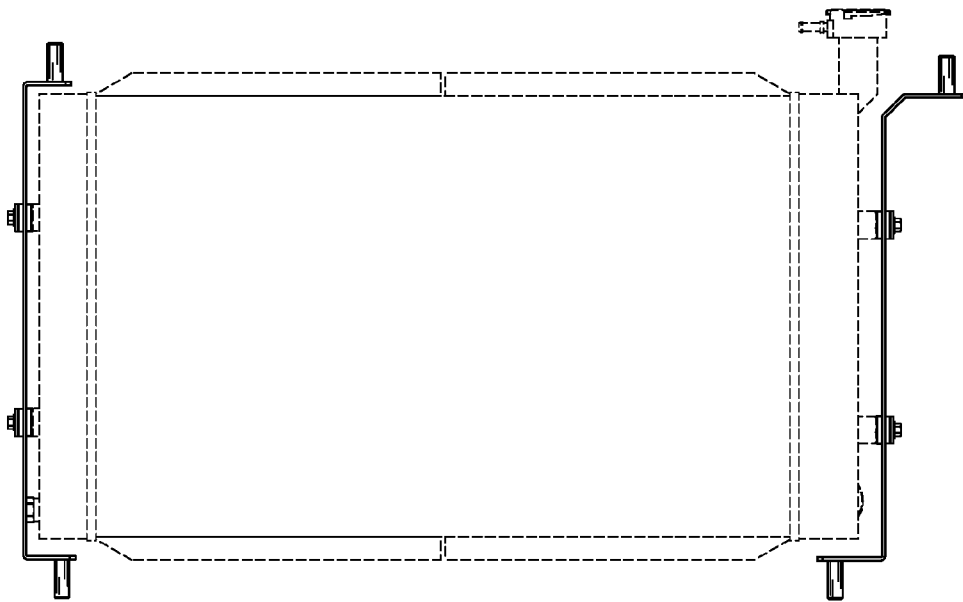


FIG. 4

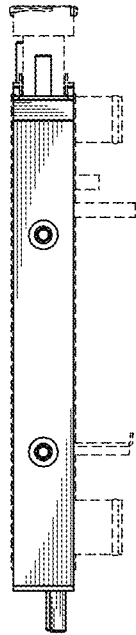


FIG. 5

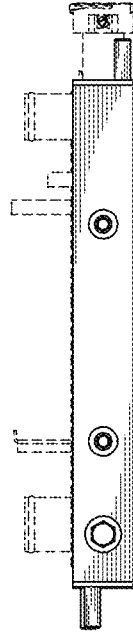


FIG. 6

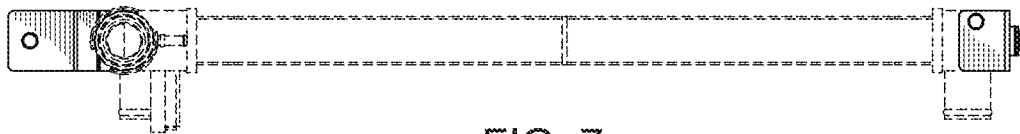


FIG. 7

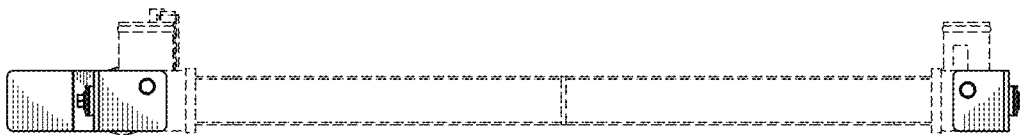


FIG. 8