



US00D794466S

(12) **United States Design Patent**
Hendrickson et al.

(10) **Patent No.:** **US D794,466 S**
(45) **Date of Patent:** **** Aug. 15, 2017**

(54) **CONTAINER**

(75) Inventors: **B. Everett Hendrickson**, Los Angeles, CA (US); **Timothy J. Carlson**, Arlington, VA (US); **A. Irene Hendrickson**, Los Angeles, CA (US)

(73) Assignee: **FRIENDSHIP PRODUCTS, LLC**, Arlington, VA (US)

(**) Term: **14 Years**

(21) Appl. No.: **29/422,258**

(22) Filed: **Aug. 9, 2012**

(51) **LOC (10) Cl.** **09-01**
(52) **U.S. Cl.**

(58) **Field of Classification Search**
USPC D9/640, 738-747, 767, 772-775, 516, D9/529-530, 537-543, 549, 554, 556, D9/558, 559-61, 569-570, 572-575; 215/10, 381-385; 220/23.4, 660, 669, 220/675; D8/349-399
See application file for complete search history.

(56) **References Cited**

U.S. PATENT DOCUMENTS

D88,905 S *	1/1933	Dreyfuss	D9/556 X
D91,247 S *	12/1933	Mengle	D9/556
D107,689 S *	12/1937	Lloyd	D9/554
2,641,374 A *	6/1953	Der Yuen	215/10
2,753,077 A	7/1956	Greco		
2,994,450 A *	8/1961	De Van et al.	217/29
3,194,426 A	7/1965	Brown		
D203,007 S *	11/1965	Adel	D9/520
D205,552 S *	8/1966	Meyers	D9/541 X
D206,026 S *	10/1966	Miller	D9/556
3,307,729 A	3/1967	Schwartz		
D208,380 S *	8/1967	Schnur	D9/529 X

3,369,658 A	2/1968	Hasselmann		
3,374,917 A *	3/1968	Troy	220/23.4
3,391,824 A	7/1968	Wiseman		
3,763,980 A *	10/1973	Vom Stein et al.	220/23.4 X
3,815,281 A	6/1974	Kander		
3,944,074 A	3/1976	Riley		
3,994,408 A	11/1976	Belitzky		
4,003,491 A	1/1977	Wells et al.		
D244,992 S *	7/1977	Van der Veken	D9/741 X
D249,230 S *	9/1978	Van Der Veken	D9/715 X
D249,232 S *	9/1978	Van der Veken	D9/640
4,258,847 A	3/1981	Nierman		
D260,609 S *	9/1981	Courreges	D9/554
D260,858 S *	9/1981	Courreges	D9/556 X
4,308,955 A	1/1982	Schieser		
4,363,415 A	12/1982	Rainville		
4,573,595 A *	3/1986	Mednis	215/383 X
4,624,383 A	11/1986	Moore		
4,685,565 A	8/1987	Sparling		

(Continued)

Primary Examiner — Philip S Hyder

Assistant Examiner — Cary M Robinson

(74) *Attorney, Agent, or Firm* — Sheets Law Office, LLC; Kendal M. Sheets

(57) **CLAIM**

The ornamental design for a container, as shown and described.

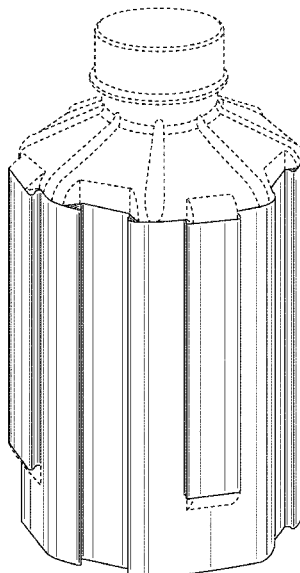
DESCRIPTION

FIG. 1 is a perspective view of the design from a top side thereof; and,

FIG. 2 is a bottom view thereof.

The broken lines in the flared portions of the protruding columns of the container illustrate a boundary of the claim and form no part of the claimed design. The remaining broken lines shown on the container in the drawing views illustrate portions of the container in which the design is embodied that form no part of the claimed design.

1 Claim, 2 Drawing Sheets



(56)

References Cited

U.S. PATENT DOCUMENTS

D300,303	S *	3/1989	Sparling	D9/743	6,719,161	B1	4/2004	Craig	
4,889,254	A	12/1989	Vola			D586,225	S *	2/2009	Devereaux D9/569 X
4,966,298	A	10/1990	Von Holdt			7,614,515	B2	11/2009	Furusawa et al.	
5,050,755	A	9/1991	Strawder			D624,825	S *	10/2010	Coulton D9/560
5,135,823	A	8/1992	Eales			D657,686	S *	4/2012	Veuger D9/559
D341,781	S	11/1993	Sanyal			8,201,699	B2	6/2012	Zummo et al.	
5,271,515	A	12/1993	Berkheimer et al.			8,348,077	B2 *	1/2013	Wimmer B65B 17/02
5,310,071	A	5/1994	Rivlin et al.							220/23.4
5,316,159	A	5/1994	Douglas et al.			D714,649	S *	10/2014	Boon D9/520
5,381,916	A *	1/1995	Strawder	220/23.4	D719,456	S *	12/2014	Ivie D9/560
5,402,903	A *	4/1995	Mann	B65D 81/361	D720,228	S *	12/2014	Boon D9/538
					220/23.86 X	D722,883	S *	2/2015	Eble D9/543
5,503,288	A	4/1996	Conconi			RE45,448	E *	4/2015	Becklin 220/23.83 X
D374,998	S *	10/1996	Ko	D6/440	D732,968	S *	6/2015	Heisner D9/500
5,638,974	A	6/1997	Mann			D732,969	S *	6/2015	Berard D9/559
5,766,536	A	6/1998	Felder			9,230,360	B2 *	1/2016	Jakobsen G06T 15/40
D407,020	S	3/1999	Doty			D763,087	S *	8/2016	Hirst D9/500
6,045,746	A	4/2000	Komine et al.			2005/0011853	A1	1/2005	Brugger	
6,047,827	A *	4/2000	Huang	220/23.4 X	2006/0059838	A1	3/2006	Pimental	
D437,366	S	2/2001	Stemmler			2006/0261063	A1 *	11/2006	Dyehouse 220/23.4
D439,156	S	3/2001	Hall et al.			2007/0098935	A1	5/2007	Farran et al.	
6,276,549	B1	8/2001	Fasci et al.			2009/0045157	A1 *	2/2009	Panchal et al. 215/10
D464,887	S	10/2002	Sherwell			2009/0090647	A1 *	4/2009	Panchal et al. 206/504
						2010/0308043	A1 *	12/2010	Wimmer 220/669 X
						2012/0118848	A1 *	5/2012	Hendrickson et al. 215/40

* cited by examiner

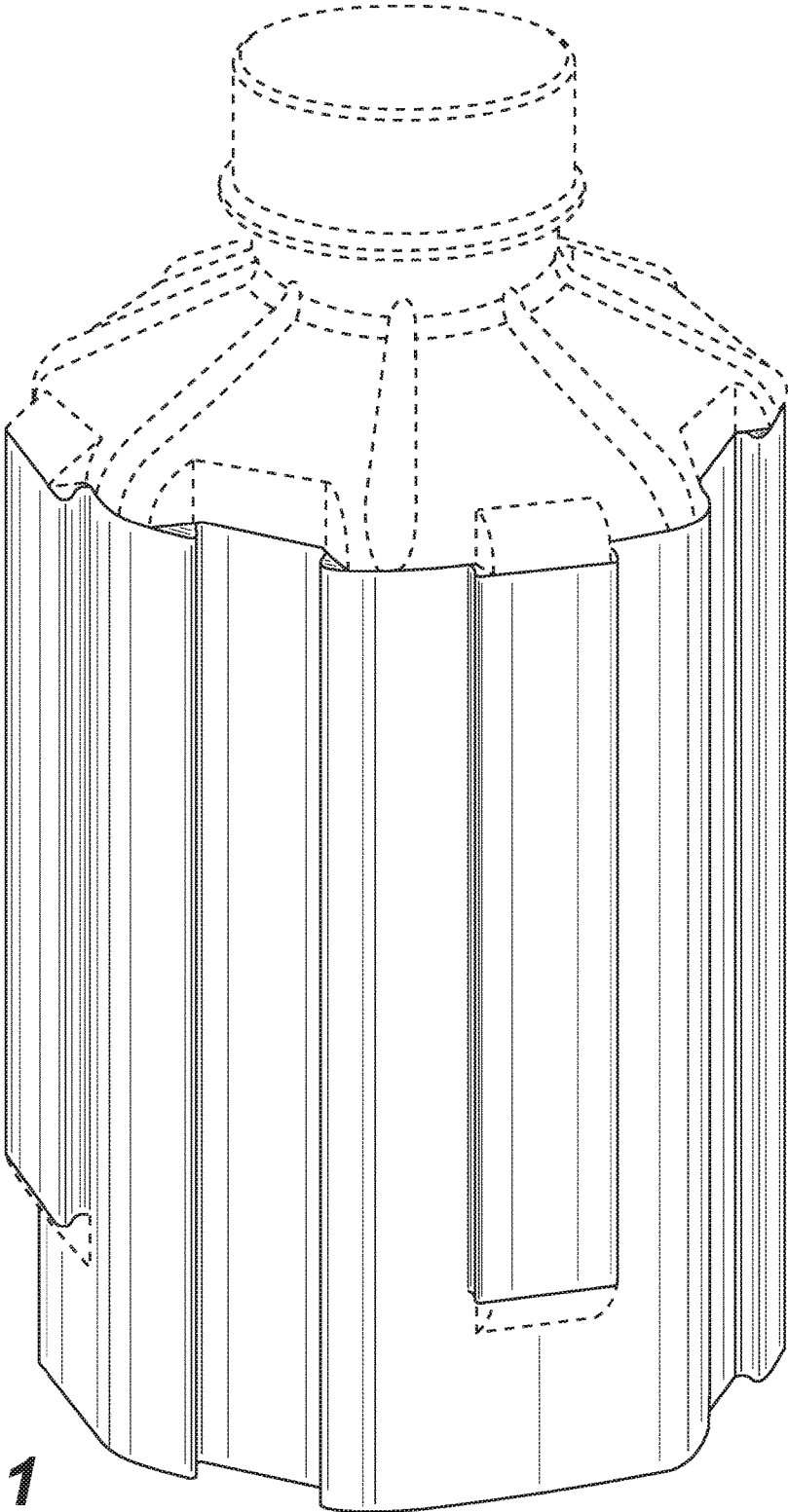


FIG. 1

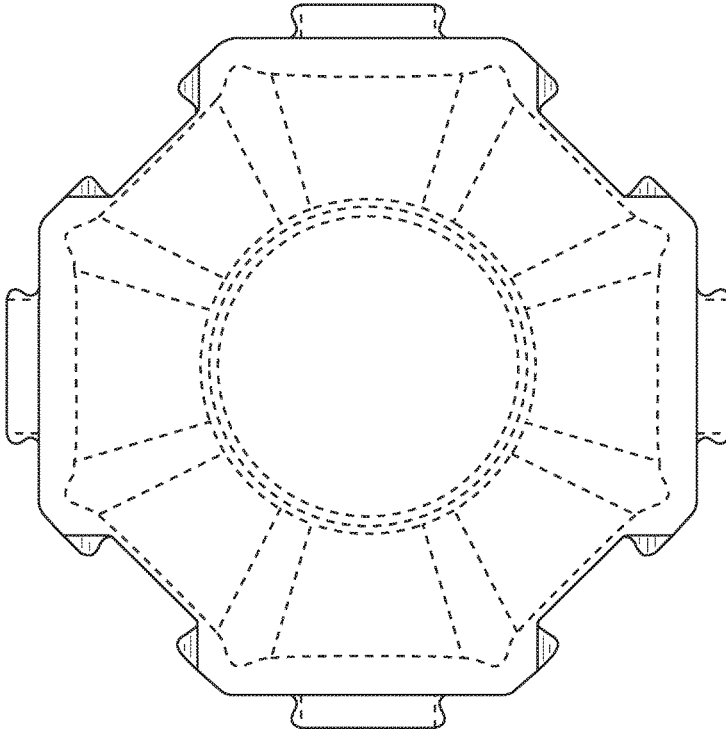


FIG. 2