



US00D939938S

(12) **United States Design Patent**
Novotny et al.

(10) **Patent No.:** **US D939,938 S**

(45) **Date of Patent:** **** Jan. 4, 2022**

- (54) **FALL PROTECTION SLEEVE**
- (71) Applicant: **Honeywell International Inc.**, Morris Plains, NJ (US)
- (72) Inventors: **Josef Novotny**, Kuncina (CZ); **Viliam Gdovec**, Šlapanice (CZ); **Markéta Audyová**, Brno (CZ); **Scott Hugh Bradford**, Scotland (GB)
- (73) Assignee: **HONEYWELL INTERNATIONAL INC.**, Morris Plains, NJ (US)
- (**) Term: **15 Years**
- (21) Appl. No.: **29/711,712**
- (22) Filed: **Nov. 1, 2019**
- (51) **LOC (13) Cl.** **09-06**
- (52) **U.S. Cl.**
USPC **D8/356**
- (58) **Field of Classification Search**
USPC D8/356, 394, 395, 396; 248/74.1, 74.2, 248/74.3, 74.4
CPC .. A62B 1/14; F16B 2/08; B60R 22/24; A44B 11/04; A44B 6/00
See application file for complete search history.

- D744,320 S * 12/2015 Parrish F16B 2/08 D8/356
- D775,514 S * 1/2017 Muhlenkamp, IV D8/356
- D814,273 S * 4/2018 Karpanty D8/356
- D843,887 S * 3/2019 Frost D11/218
- (Continued)

FOREIGN PATENT DOCUMENTS

- EP 1452206 B1 9/2007
- EP 3369460 A1 9/2018
- (Continued)

OTHER PUBLICATIONS

Extended European Search Report issued in European Application No. 20202160.6 dated Mar. 30, 2021, 10 pages.
(Continued)

Primary Examiner — Cynthia R Underwood
(74) *Attorney, Agent, or Firm* — Alston & Bird LLP

(57) **CLAIM**

We claim the ornamental design for a fall protection sleeve, as shown and described.

DESCRIPTION

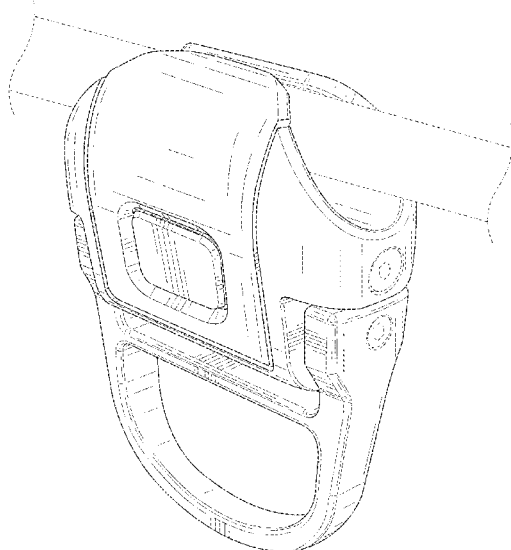
FIG. 1 is a first perspective view of a fall protection sleeve showing our new design;
FIG. 2 is a second perspective view thereof;
FIG. 3 is a front elevation view thereof;
FIG. 4 is a rear elevation view thereof;
FIG. 5 is a right side elevation view thereof;
FIG. 6 is a left side elevation view thereof;
FIG. 7 is a top plan view thereof;
FIG. 8 is a bottom plan view thereof; and,
FIG. 9 is another perspective view thereof, shown attached to a cable.
The broken lines adjacent shaded areas depict boundaries of the claim and form no part of the claimed design. All other broken lines illustrate unclaimed portions of the fall protection sleeve and form no part of the claimed design.

1 Claim, 8 Drawing Sheets

(56) **References Cited**

U.S. PATENT DOCUMENTS

- 4,005,904 A * 2/1977 Weman B60R 22/24 297/483
- 4,034,828 A * 7/1977 Rose A62B 1/14 182/5
- D355,583 S * 2/1995 Beauchane D8/356
- D357,435 S * 4/1995 Cook D11/200
- D361,665 S * 8/1995 Izumi D3/318
- 6,467,574 B2 10/2002 Pascal
- D512,307 S * 12/2005 Ahrens D9/434
- D741,701 S * 10/2015 McNeil D8/396



(56)

References Cited

U.S. PATENT DOCUMENTS

D874,556	S *	2/2020	Hanudel	D16/339
D875,507	S *	2/2020	Petzl	D8/356
D911,153	S *	2/2021	Auston	D8/356
D924,468	S *	7/2021	Huang	D26/138
D926,022	S *	7/2021	Luhrmann	D8/356
D928,032	S *	8/2021	Okumu	A44B 6/00 D11/202
2002/0050421	A1	5/2002	Pascal	
2014/0304898	A1 *	10/2014	Bachtold	A44B 11/04 2/336
2016/0310767	A1 *	10/2016	Resch	A63B 69/0048
2020/0121962	A1 *	4/2020	Saunders	A62B 1/14

FOREIGN PATENT DOCUMENTS

GB		2389386	A	12/2003
WO		2009/133361	A1	11/2009

OTHER PUBLICATIONS

Honeywell Miller Söll Xenon Fall Arrester, [online], retrieved Feb. 7, 2020], retrieved from the Internet <URL: <https://safety.honeywell.com/en-us/products/by-category/fall-protection/horizontal-lifeline-systems/miller-xenon-permanent-horizontal-lifeline-kits>, 3 pages.

Honeywell Miller Söll Xenon Fall Arrester, [online], retrieved Feb. 7, 2020], retrieved from the Internet <URL: <https://www.honeywellsafety.com/assets/0/324/936/5f9f7a6e-e9c6-4a8f-a7a2-866a4a81c865.jpg>, 1 page.

honeywellsafety.com/assets/0/324/936/5f9f7a6e-e9c6-4a8f-a7a2-866a4a81c865.jpg, 1 page.

Honeywell Miller Xenon™ Permanent Horizontal Lifeline Kits, [online], retrieved Feb. 7, 2020], retrieved from the Internet <URL: <https://www.honeywellsafety.com/assets/0/324/936/5f9f7a6e-e9c6-4a8f-a7a2-866a4a81c865.jpg>, 1 page.

Honeywell Miller Xenon™ Permanent Horizontal Lifeline Kits, [online], retrieved Feb. 7, 2020], retrieved from the Internet <URL: <https://safety.honeywell.com/en-us/products/by-category/fall-protection/horizontal-lifeline-systems/miller-xenon-permanent-horizontal-lifeline-kits>, 3 pages.

Honeywell Miller Xenon™ Permanent Horizontal Lifeline Kits, [online], retrieved Feb. 7, 2020], retrieved from the Internet <URL: <http://salcouruguay.com/wp-content/uploads/2015/12/WIRE-MILLER-XENON-LIFELINE.jpg>, 1 page.

Honeywell Miller Xenon™ Permanent Horizontal Lifeline Kits, [online], retrieved Feb. 7, 2020], retrieved from the Internet <URL: https://safety.honeywell.com/content/dam/his-sandbox/products/fall-protection/images/NP_item43030_X00120.jpg, 1 page.

Honeywell Miller Xenon™ Permanent Horizontal Lifeline Kits, [online], retrieved Feb. 7, 2020], retrieved from the Internet <URL: [https://www.honeywellsafety.com/Products/Fall_Protection/Miller_S%C3%B6ll_Xenon%C2%AE_2_0_HLL_\(AUS/NZ\).aspx?site=au](https://www.honeywellsafety.com/Products/Fall_Protection/Miller_S%C3%B6ll_Xenon%C2%AE_2_0_HLL_(AUS/NZ).aspx?site=au), 3 pages.

Honeywell Miller Xenon™ Permanent Horizontal Lifeline Kits, [online], retrieved Feb. 7, 2020], retrieved from the Internet <URL: <https://www.nsafe.com/horizontallifelines.html>, 3 pages.

* cited by examiner

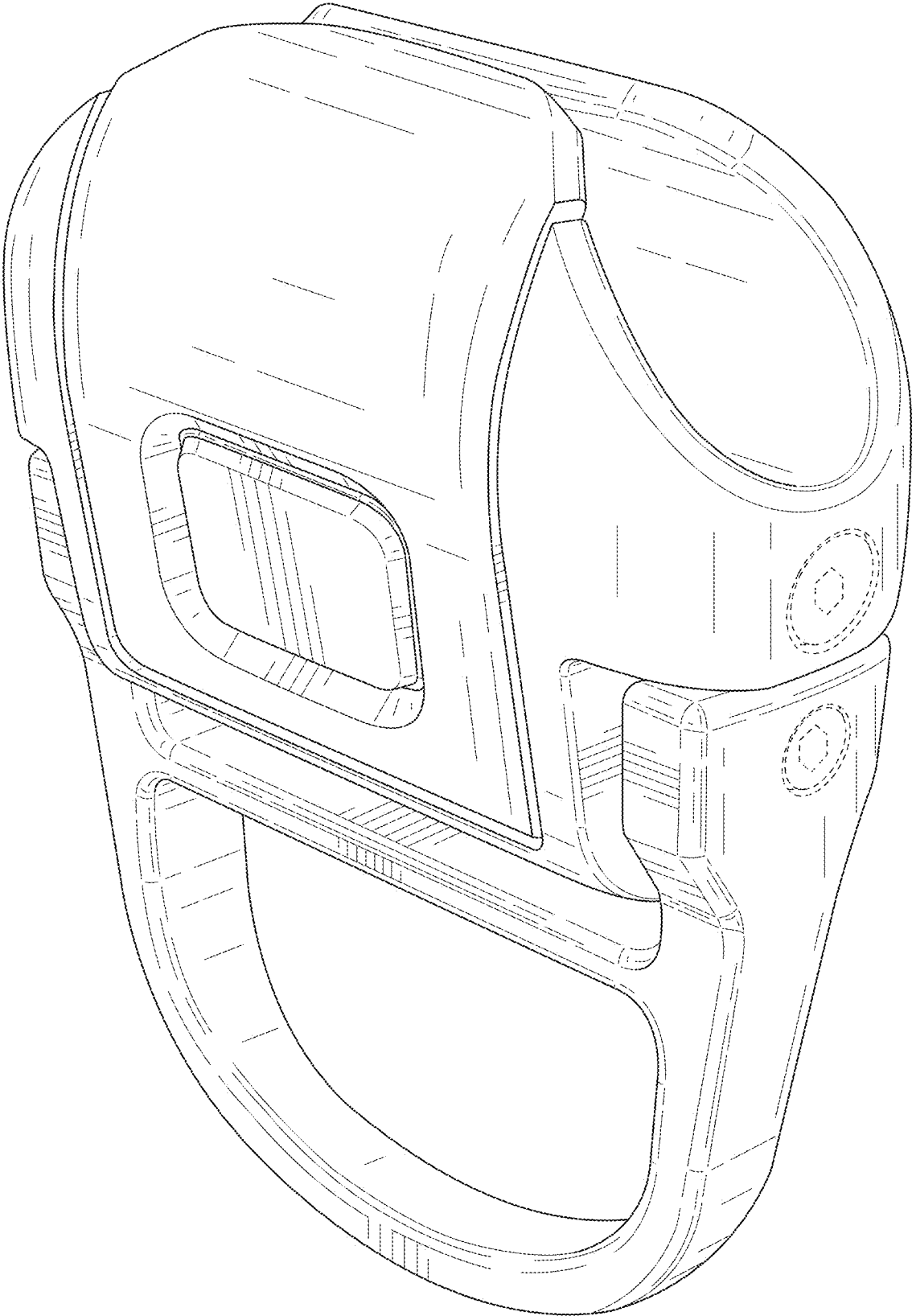


FIG. 1

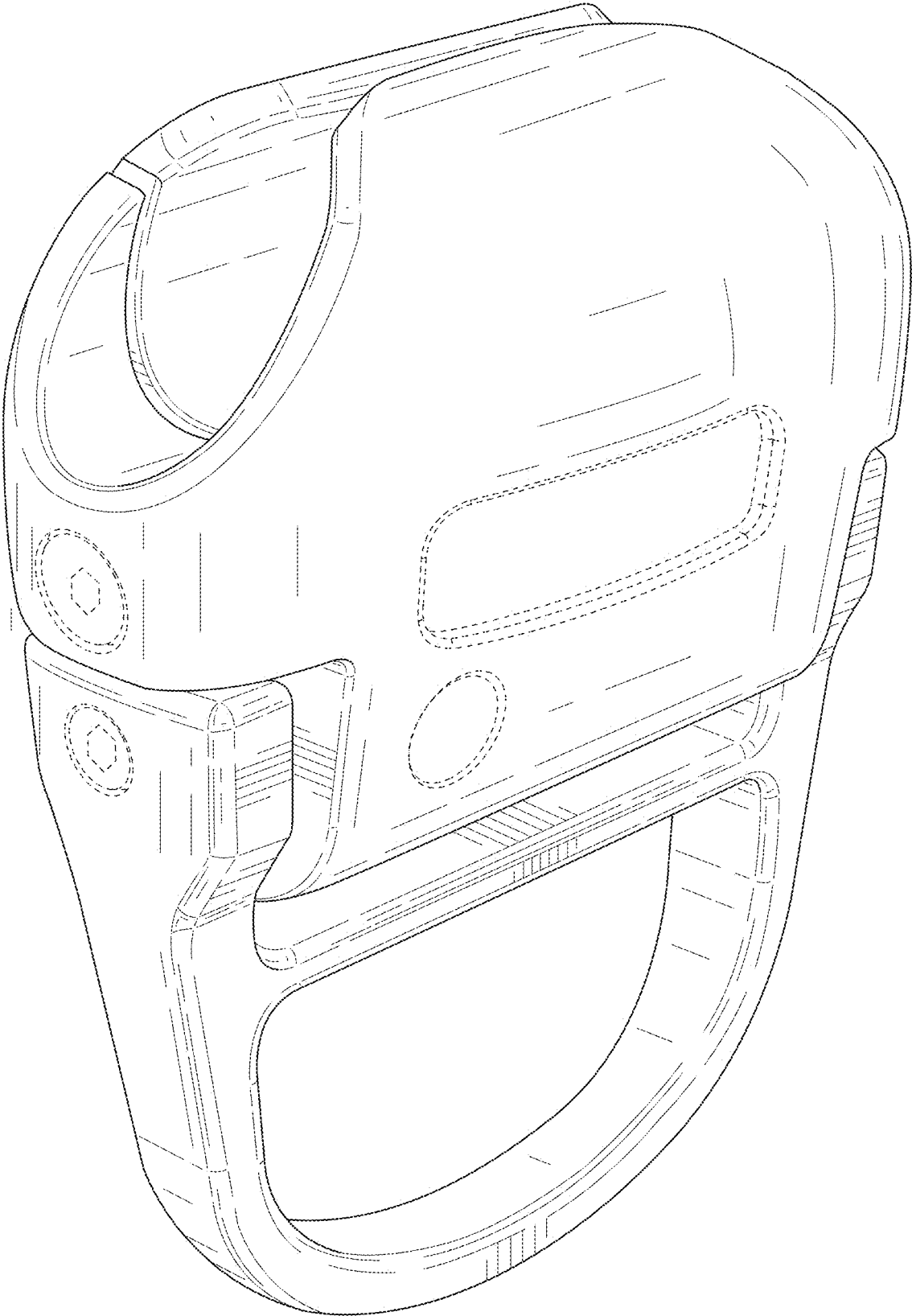


FIG. 2

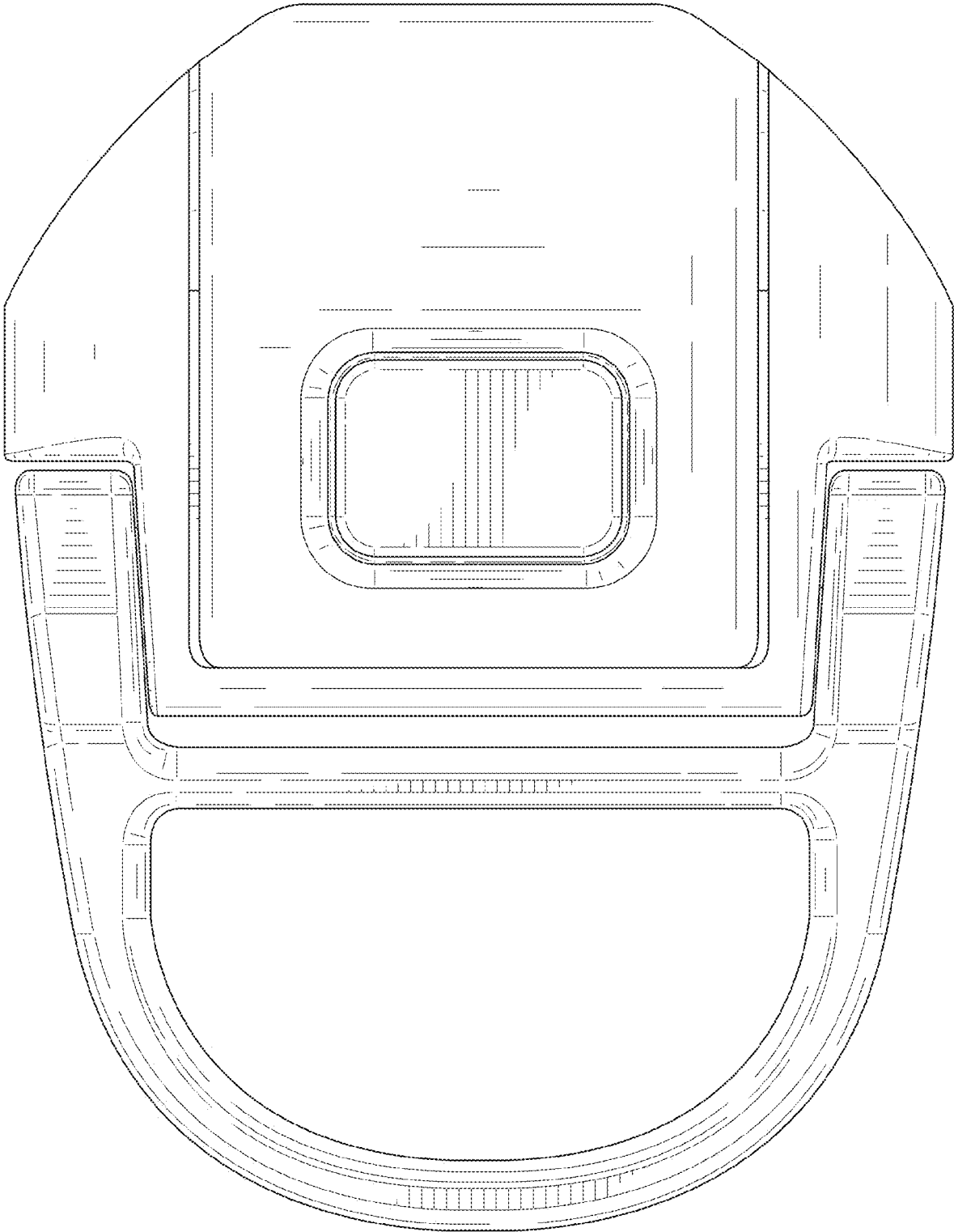


FIG. 3

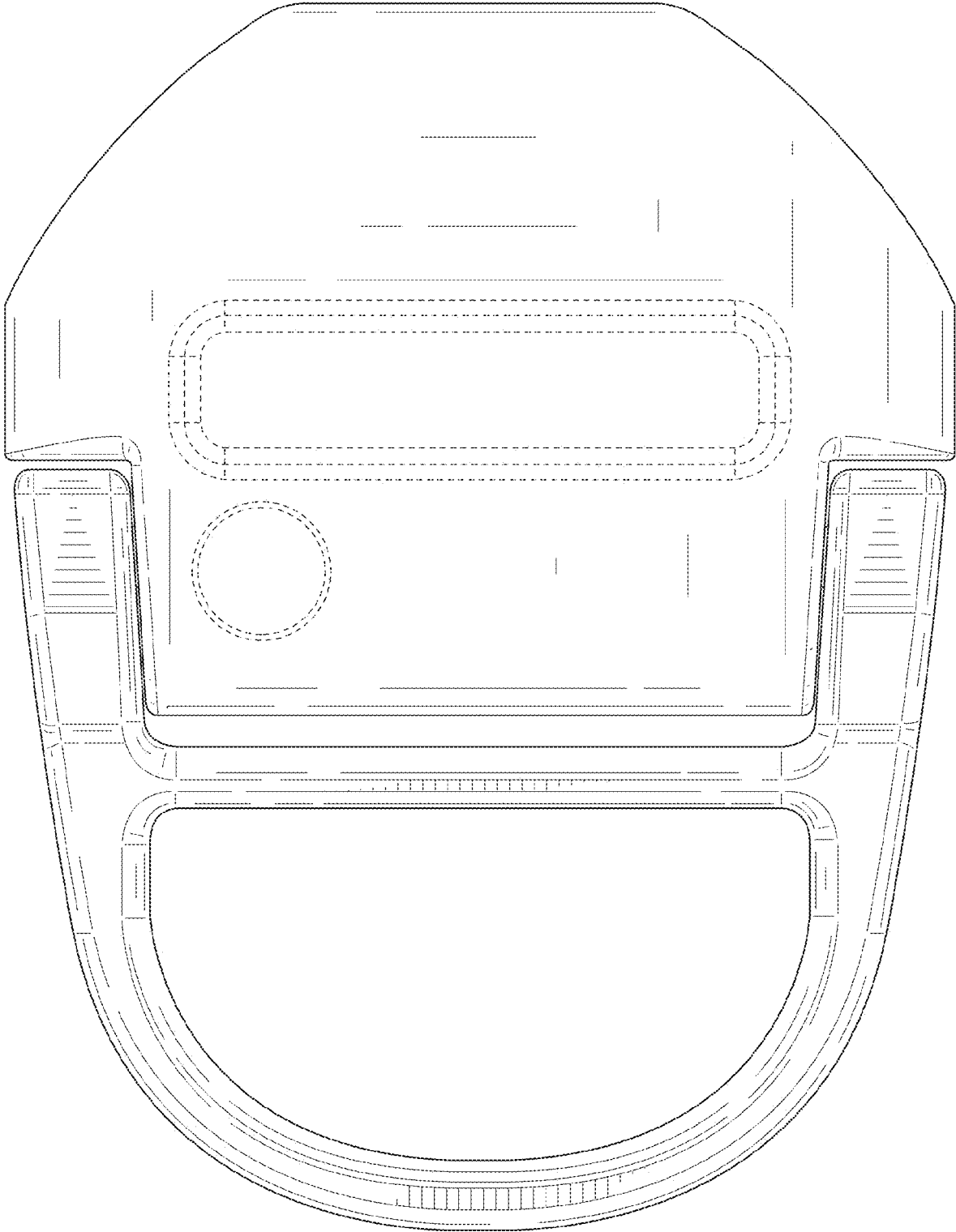


FIG. 4

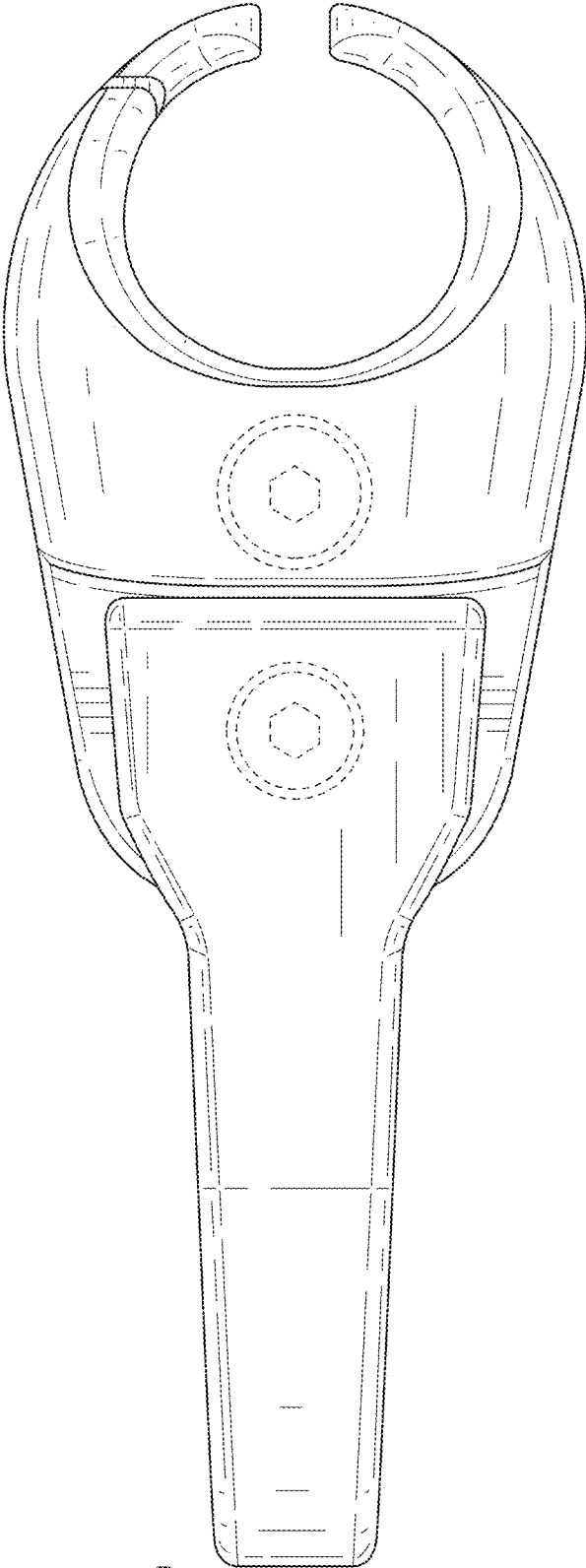


FIG. 5

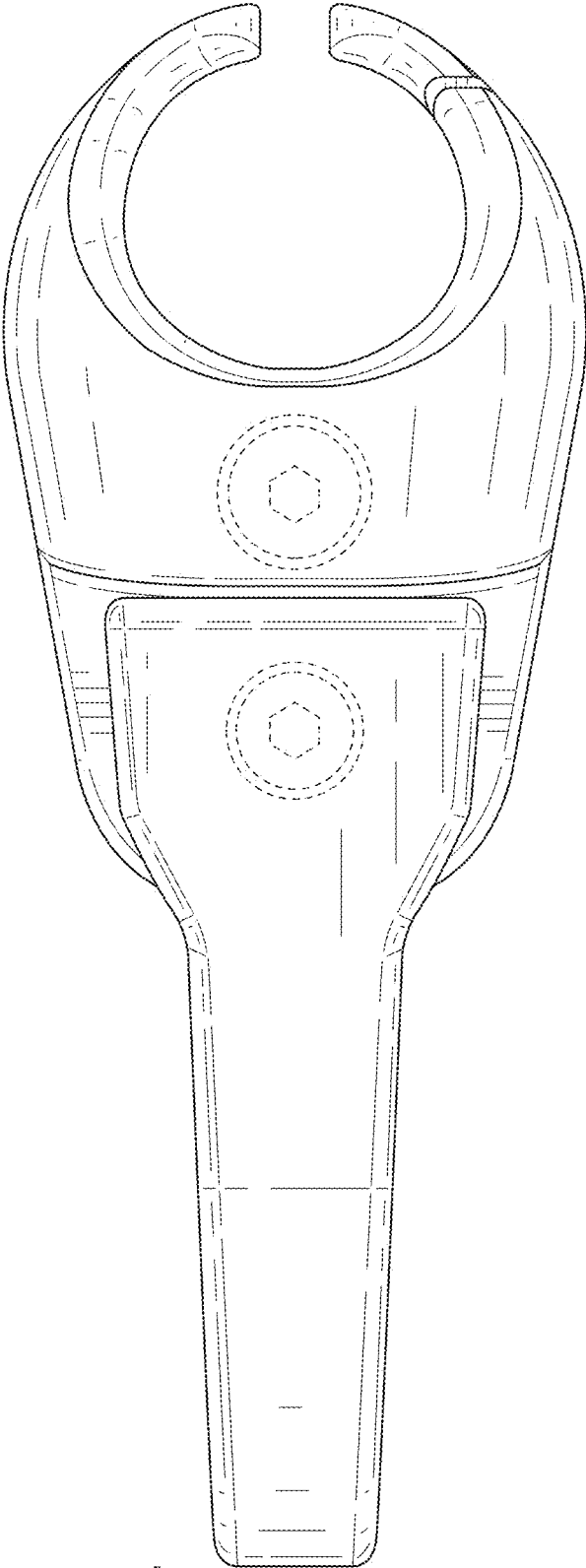


FIG. 6

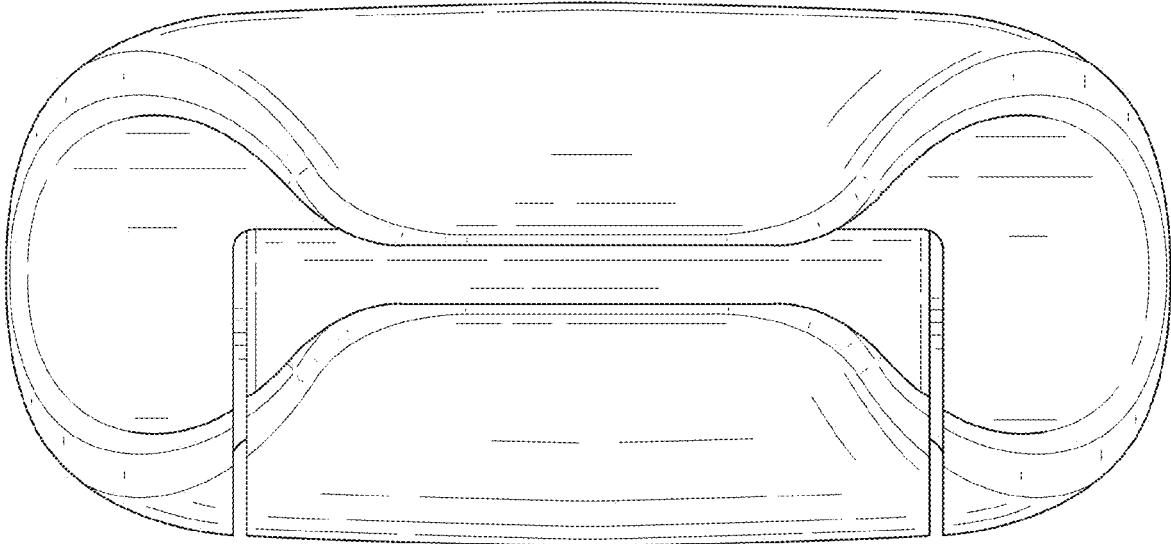


FIG. 7

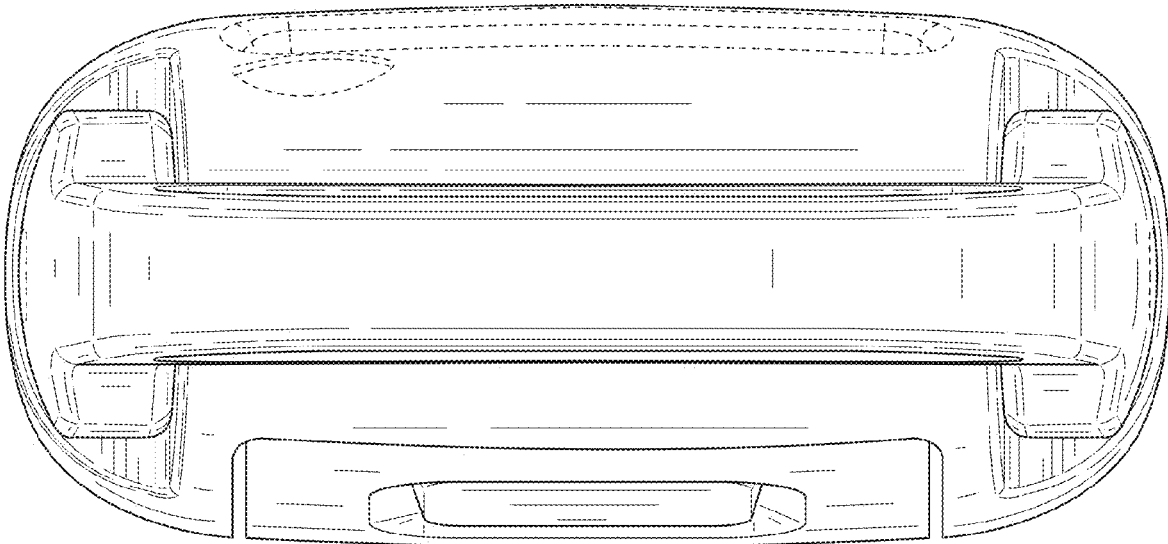


FIG. 8

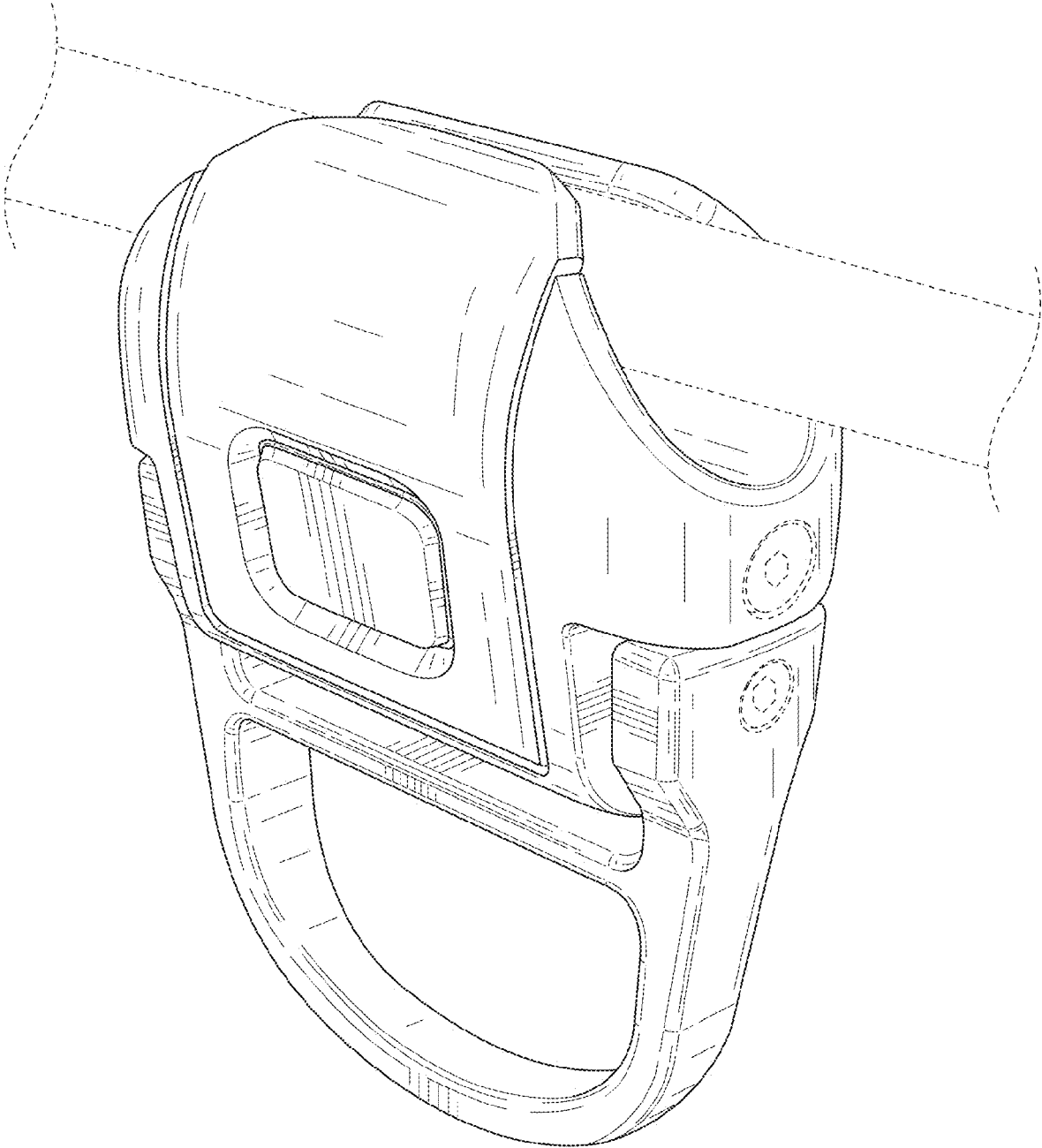


FIG. 9