



US00D515996S

(12) **United States Design Patent**
Baumgartner

(10) **Patent No.:** **US D515,996 S**

(45) **Date of Patent:** **** Feb. 28, 2006**

(54) **VEHICLE WHEEL**

(75) Inventor: **Heinrich Baumgartner**, Shiltach (DE)

(73) Assignee: **BBS Kraftfahrzeugtechnik AG**,
Schiltach (DE)

(**) Term: **14 Years**

(21) Appl. No.: **29/185,132**

(22) Filed: **Jun. 23, 2003**

(51) **LOC (8) Cl.** **12-16**

(52) **U.S. Cl.** **D12/209**

(58) **Field of Classification Search** D12/204-213;
301/37.101, 64.101, 65

See application file for complete search history.

(56)

References Cited

U.S. PATENT DOCUMENTS

D361,976 S	*	9/1995	Echazabal et al.	D12/211
D375,073 S	*	10/1996	Theiss	D12/209
D412,149 S	*	7/1999	Corioni	D12/211
D412,479 S	*	8/1999	Sacco et al.	D12/209
D428,845 S	*	8/2000	Yoshida et al.	D12/211
D451,458 S	*	12/2001	Sacco et al.	D12/209
D458,208 S	*	6/2002	Hartl	D12/211
D462,309 S	*	9/2002	Hieke	D12/211
D478,031 S	*	8/2003	Brown et al.	D12/211
D480,037 S	*	9/2003	Takechi	D12/211

D480,673 S	*	10/2003	Bhambra et al.	D12/209
D486,112 S	*	2/2004	Lecher	D12/211
D492,238 S	*	6/2004	Bernoni	D12/211
D495,985 S	*	9/2004	Lai	D12/209
D497,339 S	*	10/2004	Heinrich	D12/209
D497,869 S	*	11/2004	Guevara	D12/211

FOREIGN PATENT DOCUMENTS

JP	HC 130066773	8/2001
JP	2003-018970	1/2003

* cited by examiner

Primary Examiner—Stacia Cadmus

(74) *Attorney, Agent, or Firm*—Greenberg Traurig LLP

(57)

CLAIM

The ornamental design for a vehicle wheel, as shown and described.

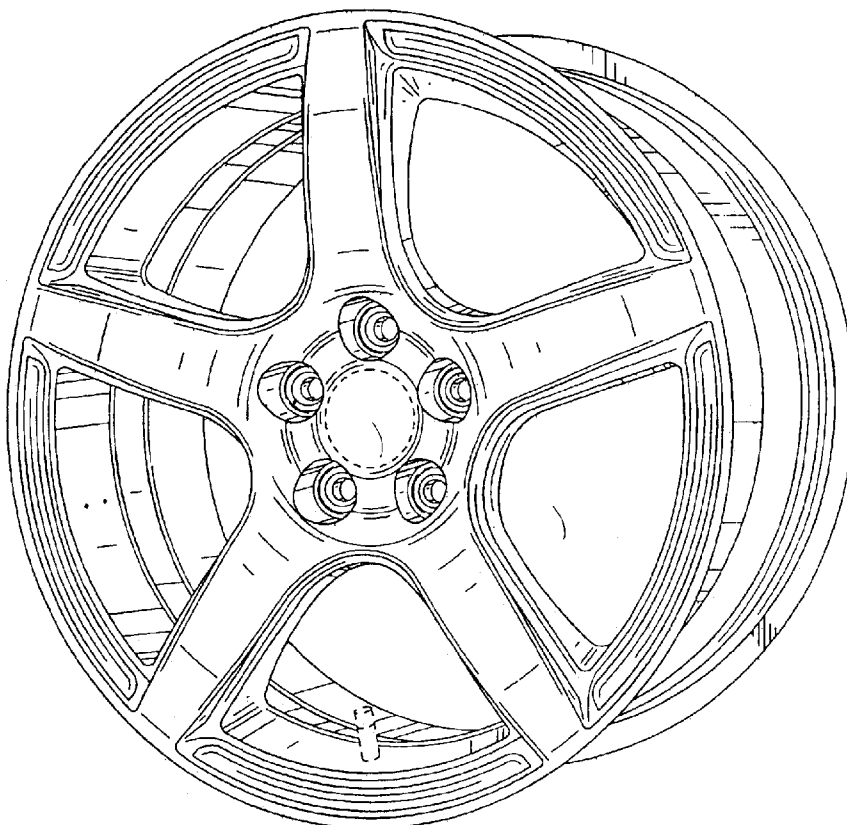
DESCRIPTION

FIG. 1 is a side perspective view of the vehicle wheel according to the invention, showing my new ornamental design; and,

FIG. 2 is a front elevation view thereof.

The side and rear of the wheel not shown in the drawings do not comprise part of the claimed design. The broken line showing of the valve stem and center cap are for illustrative purposes only and form not part of the claimed design.

1 Claim, 2 Drawing Sheets



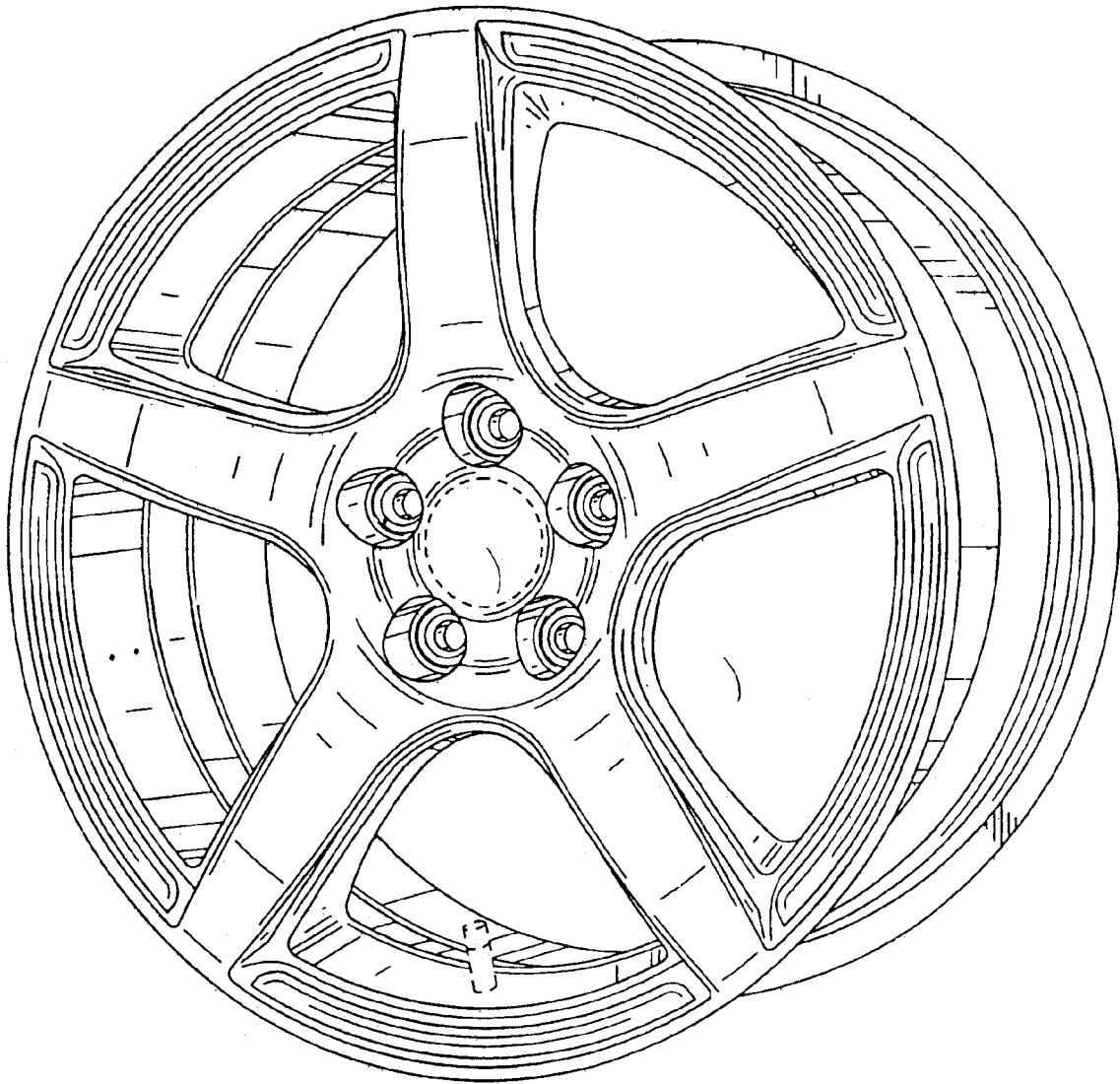


FIG. 1

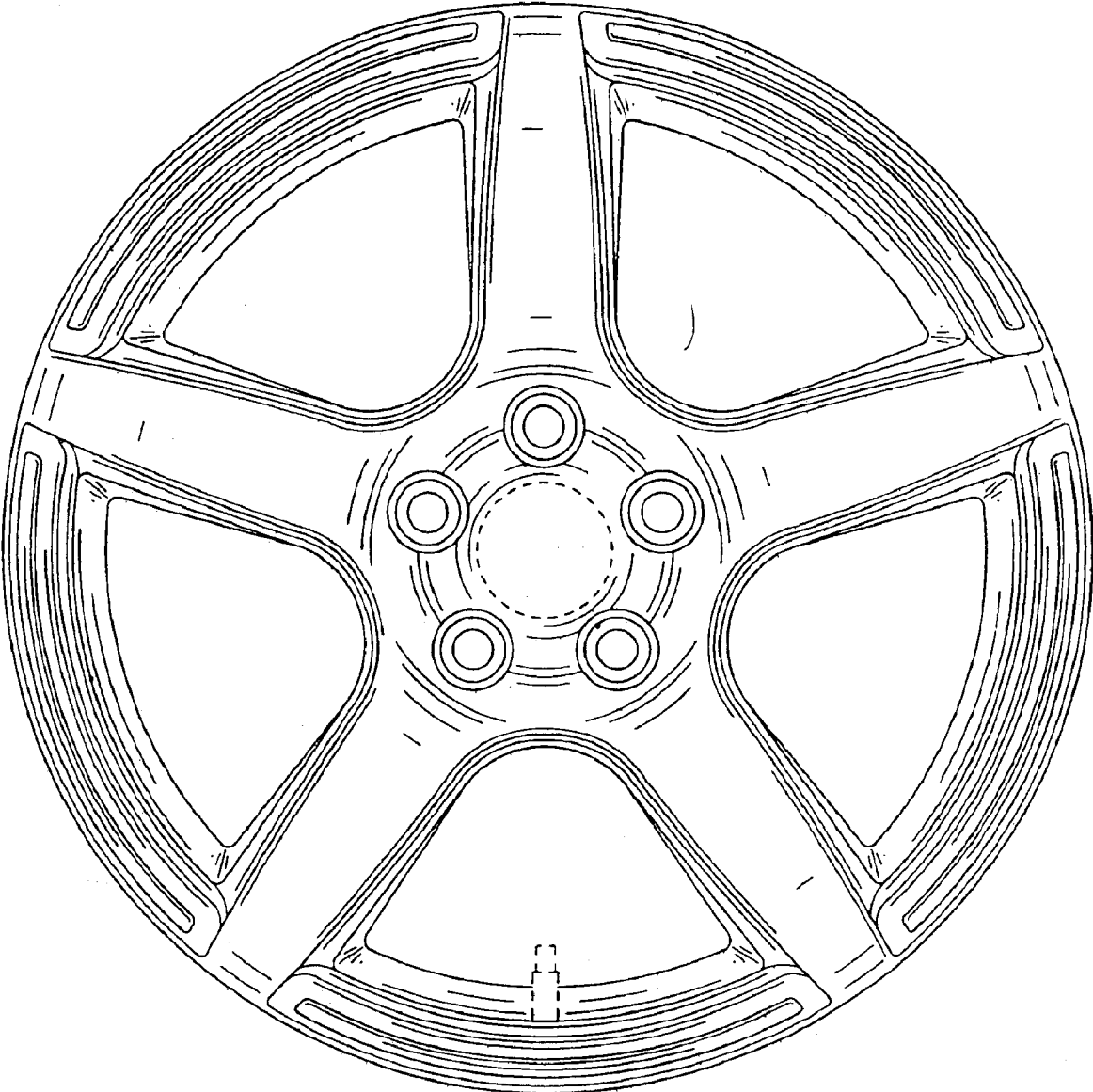


FIG. 2