



US00D768437S

(12) **United States Design Patent**
Lane

(10) **Patent No.:** **US D768,437 S**

(45) **Date of Patent:** **** Oct. 11, 2016**

(54) **MIXER FOR A BEVERAGE CONTAINER**

(71) Applicant: **THERMOS L.L.C.**, Schaumburg, IL (US)

(72) Inventor: **Marvin Lane**, Wheeling, IL (US)

(73) Assignee: **THERMOS L.L.C.**, Schaumburg, IL (US)

(**) Term: **14 Years**

(21) Appl. No.: **29/523,339**

(22) Filed: **Apr. 8, 2015**

(51) **LOC (10) Cl.** **31-00**

(52) **U.S. Cl.**
USPC **D7/412; D7/376; D7/378; D7/384**

(58) **Field of Classification Search**
USPC **D3/264; D7/372, 376-386, 412-413, D7/602, 629, 665-666, 669, 679, 682, D7/693-694; D11/131**
CPC **A01K 63/045; A21C 1/02; A21C 1/04; A23N 1/00; A23N 1/02; A47J 43/04; A47J 43/25; A47J 43/27; A47J 43/042; A47J 43/046; A47J 43/075; A47J 43/0722; A47J 43/0727; A61L 12/08; B01D 53/85; B01J 19/30; B01F 3/00; B01F 3/0807; B01F 3/0853; B01F 13/0059; B01F 13/0064; B02C 1/08; B02C 2/04; B02C 4/42; B02C 4/142; B02C 4/143; B02C 4/423; B02C 13/1835; B28C 5/10; B28C 5/12; B28C 5/14; B28C 5/16; B65D 47/0885**
See application file for complete search history.

4,554,114 A * 11/1985 Glen B01J 19/30 261/95

4,581,299 A * 4/1986 Jager B01J 19/30 261/DIG. 72

4,818,114 A 4/1989 Ghavi

4,916,672 A 4/1990 McCrory

5,358,330 A 10/1994 Moll

5,690,819 A * 11/1997 Chianh A01K 63/045 210/150

D451,200 S 11/2001 Johansen et al.

6,379,032 B1 4/2002 Sorensen

6,524,849 B1 * 2/2003 Adams B01D 53/85 210/150

6,616,319 B2 9/2003 Renz

7,014,175 B2 * 3/2006 Honnell B01J 19/30 261/94

7,036,975 B2 5/2006 Renz

(Continued)

Primary Examiner — Ricky Pham
(74) *Attorney, Agent, or Firm* — Polsinelli PC

(57) **CLAIM**
The ornamental design for a mixer for a beverage container, as shown and described.

DESCRIPTION

FIG. 1 is a perspective view of the mixer for a beverage container;
FIG. 2 is a front view of the mixer for a beverage container;
FIG. 3 is a rear view of the mixer for a beverage container;
FIG. 4 is a right side view of the mixer for a beverage container;
FIG. 5 is a left side view of the mixer for a beverage container;
FIG. 6 is a top view of the mixer for a beverage container;
FIG. 7 is a bottom view of the mixer for a beverage container; and,
FIG. 8 is a perspective view of the mixer in a beverage container.
The broken lines showing in the figures are included for the purpose of illustrating portions of the mixer for a beverage container that form no part of the claimed design.

1 Claim, 5 Drawing Sheets

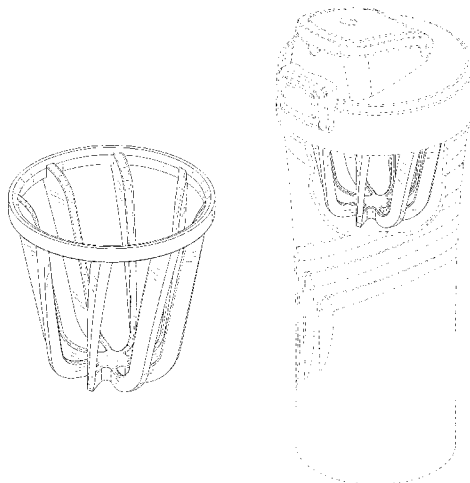
(56) **References Cited**
U.S. PATENT DOCUMENTS

3,820,692 A 6/1974 Swett et al.

4,003,555 A 1/1977 Swartz

4,203,935 A * 5/1980 Hackenjios B01J 19/30 261/98

4,425,285 A * 1/1984 Shimoi B01J 19/30 202/158



(56)

References Cited

U.S. PATENT DOCUMENTS

D536,216 S	2/2007	Sands		8,544,674 B2	10/2013	Nilsson	
D571,610 S	6/2008	Bodum		D700,807 S	3/2014	Kershaw et al.	
D574,292 S *	8/2008	Jost	D11/131	9,248,423 B2 *	2/2016	Cerasani	B65D 47/0885
D585,708 S *	2/2009	Gransbury	D7/682	2001/0036124 A1	11/2001	Rubenstein	
7,946,752 B2	5/2011	Swartz et al.		2008/0037360 A1	2/2008	McGill	
D650,171 S *	12/2011	Kanner	D3/264	2013/0279287 A1	10/2013	Cerasani	
D666,057 S *	8/2012	Theuretzbacher	D7/376	2013/0280142 A1 *	10/2013	Sturm	A61L 12/08 422/292
D687,259 S	8/2013	Hauser et al.		2013/0343148 A1	12/2013	Avila et al.	
				2014/0119154 A1	5/2014	Kershaw et al.	

* cited by examiner

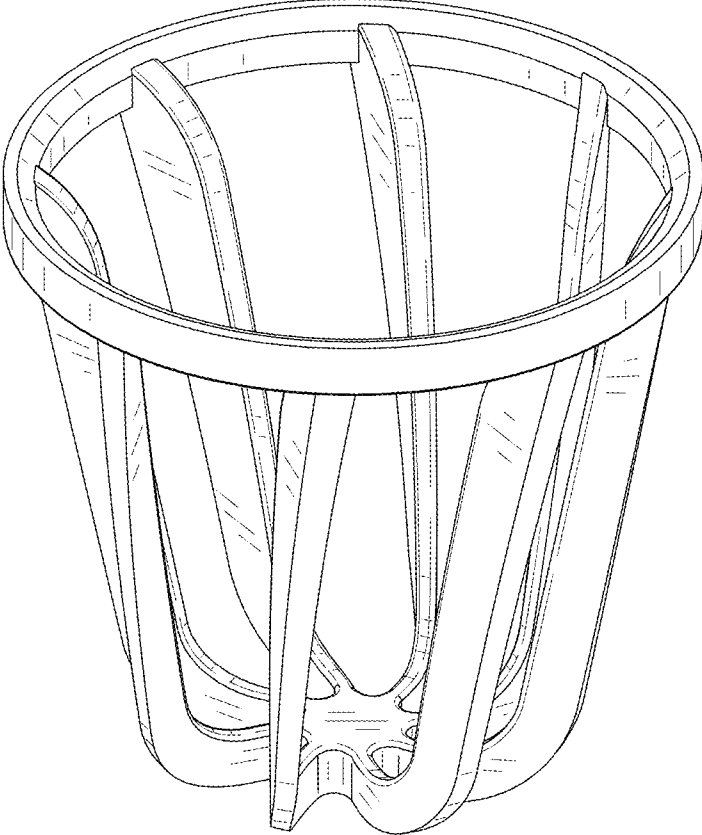


FIG. 1

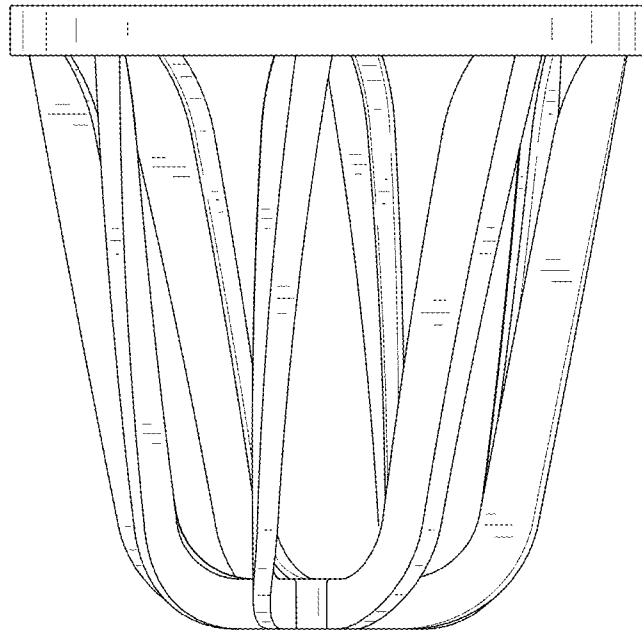


FIG. 2

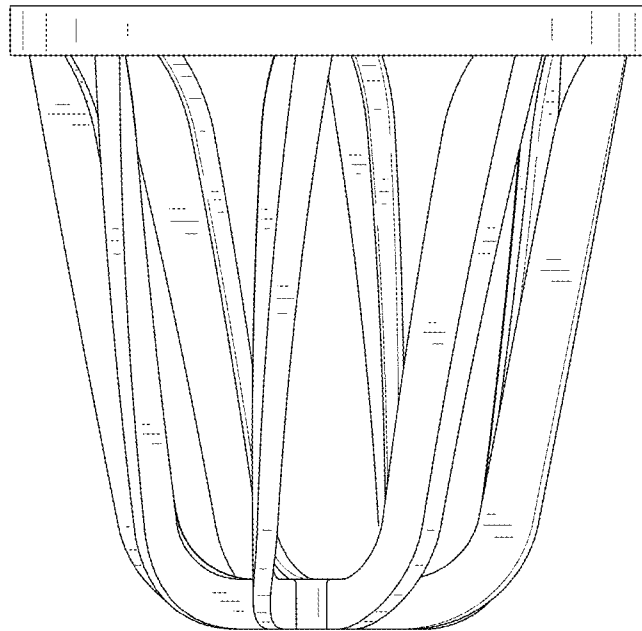


FIG. 3

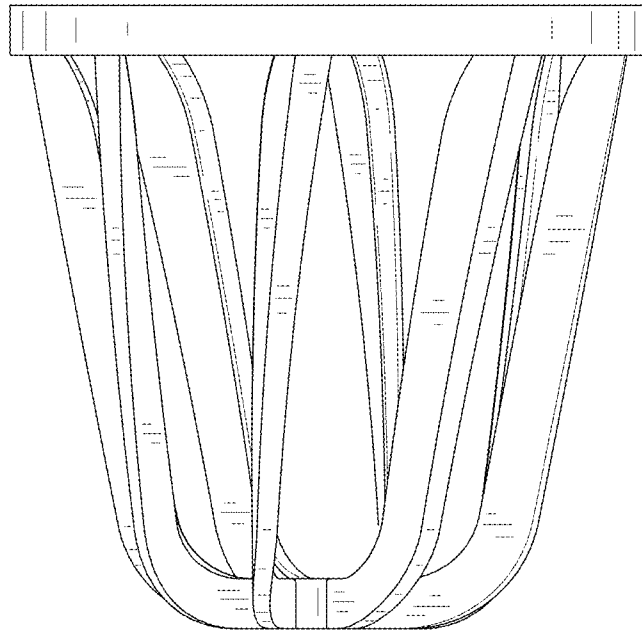


FIG. 4

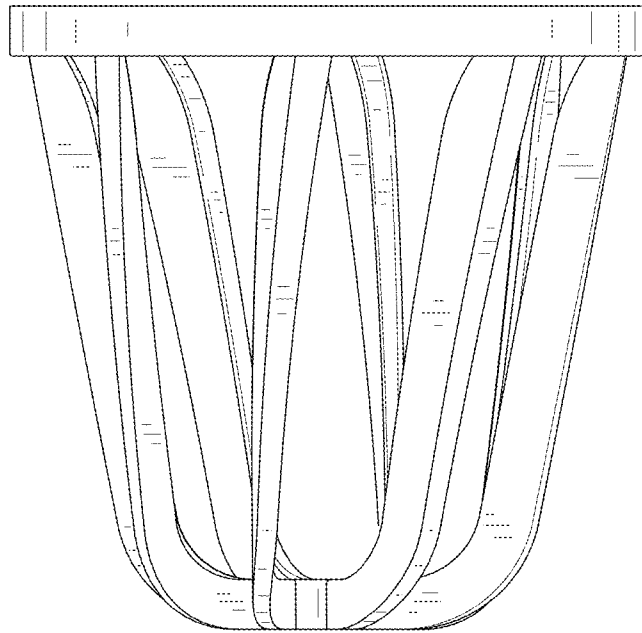


FIG. 5

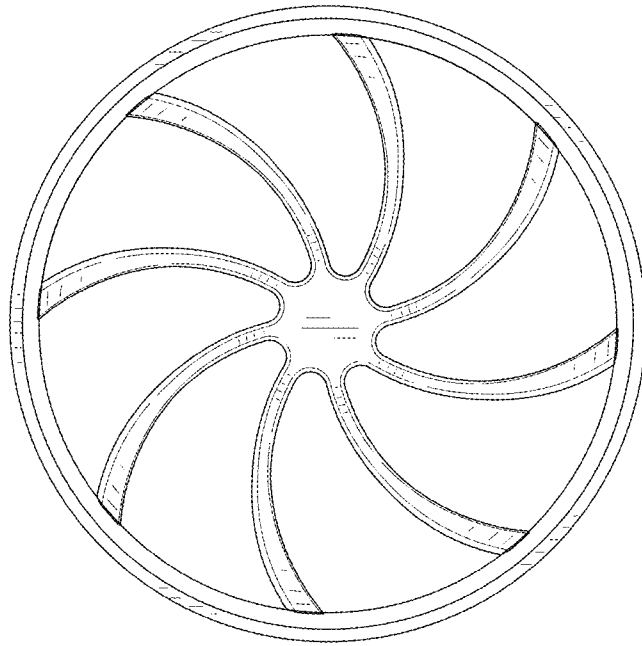


FIG. 6

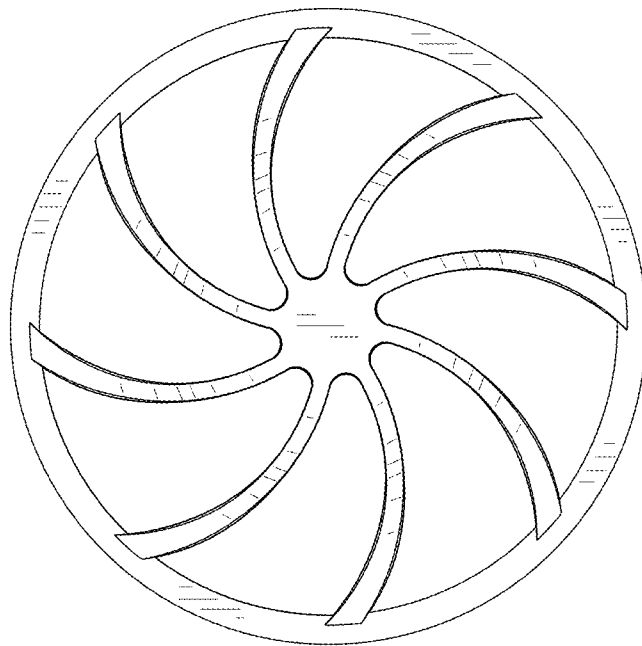


FIG. 7

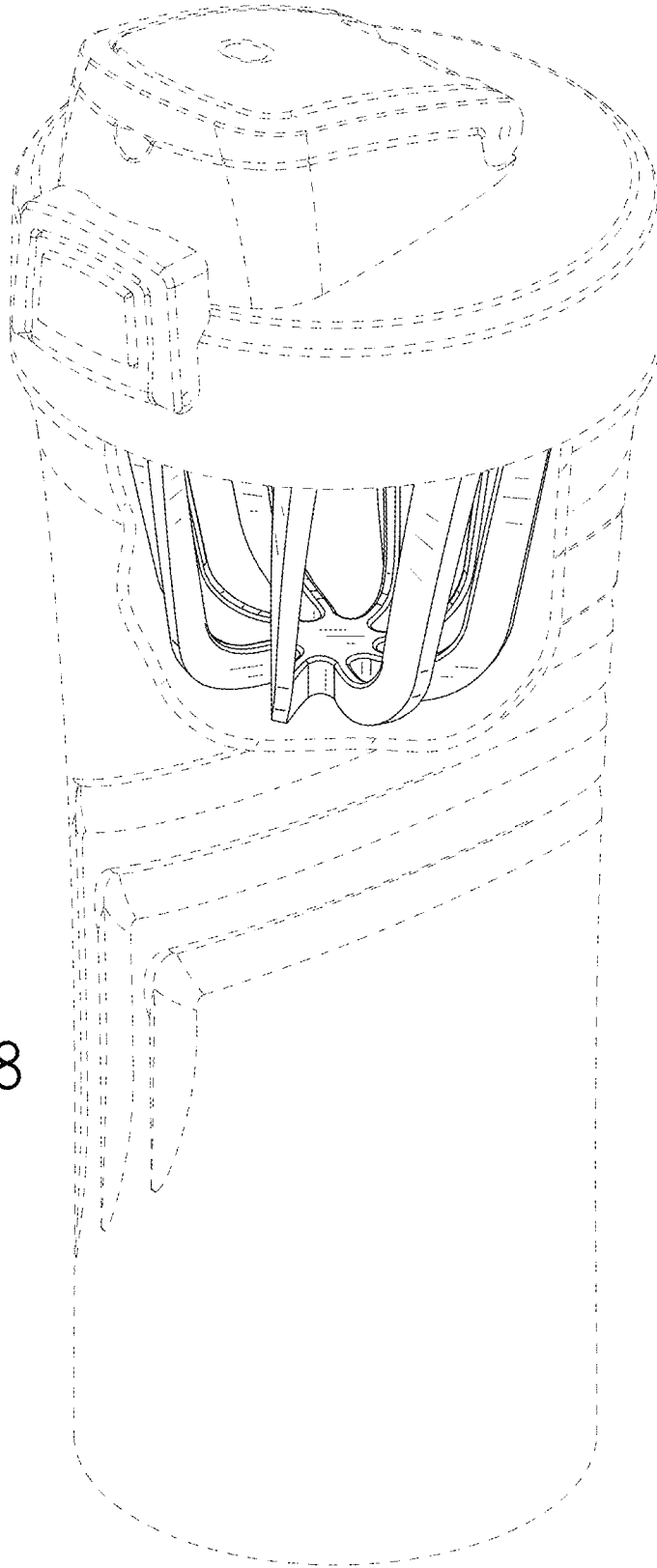


FIG. 8