



US00D898453S

(12) **United States Design Patent**
Gu

(10) **Patent No.:** **US D898,453 S**

(45) **Date of Patent:** **** Oct. 13, 2020**

(54) **PICNIC BLANKET WITH LEATHER CARRIER HANDLE**

(71) Applicant: **Jianru Gu**, Shandong (CN)

(72) Inventor: **Jianru Gu**, Shandong (CN)

(**) Term: **15 Years**

(21) Appl. No.: **29/611,410**

(22) Filed: **Jul. 21, 2017**

(51) **LOC (12) Cl.** **16-13**

(52) **U.S. Cl.**

USPC **D6/603**

(58) **Field of Classification Search**

USPC D6/333, 349, 355, 375, 388, 512, 563,
D6/564, 595, 596, 601, 603, 605, 608,
D6/604, 611; D24/183-185, 234;
D21/803, 804, 805, 809; 5/401, 420,
5/600, 630, 631, 632, 633, 635, 636, 638,
5/639, 646, 652, 652.1, 655, 703, 730
CPC .. A47G 9/0238; A47G 9/0246; A47G 9/0261;
A47G 2009/0269; A47G 9/10; A47G
9/1018; A47G 9/1027; A47G 9/1063;
A47G 9/1072; A47G 9/1081; A47G
9/1054

See application file for complete search history.

(56) **References Cited**

U.S. PATENT DOCUMENTS

124,007 A * 2/1872 Nobles A47G 9/062
5/419
1,237,243 A * 8/1917 Conner A47C 27/001
5/420
D62,085 S * 3/1923 Andrews D6/603
D62,086 S * 3/1923 Andrews D6/603
D62,161 S * 4/1923 Andrews D6/603
D62,162 S * 4/1923 Andrews D6/603
D64,233 S * 3/1924 Andrews D6/603
1,742,064 A * 12/1929 Dinstuhl A47G 9/0238
5/498

2,103,553 A * 12/1937 Reynolds A47C 21/046
5/652.1
2,358,410 A * 9/1944 Matthesius A41B 13/06
2/69.5
D216,610 S * 2/1970 Stiver D6/596
3,512,830 A * 5/1970 Norman B60N 2/2809
297/250.1
D230,117 S * 1/1974 Johnson D6/596
D235,165 S * 5/1975 Wassenberg D5/46
(Continued)

OTHER PUBLICATIONS

California Picnic: Extra Large Picnic Blanket, earliest picture review Apr. 29, 2019, [online], [site visited Oct. 9, 2019]. Available from Internet, URL: https://www.amazon.com/Oversized-Accessory-Waterproof-Water-Resistant-Portable/dp/B072M2XP4C/ref=cm_cr_arp_d_product_top?ie=UTF8 (Year: 2019).*

Primary Examiner — Sanjeev Paul

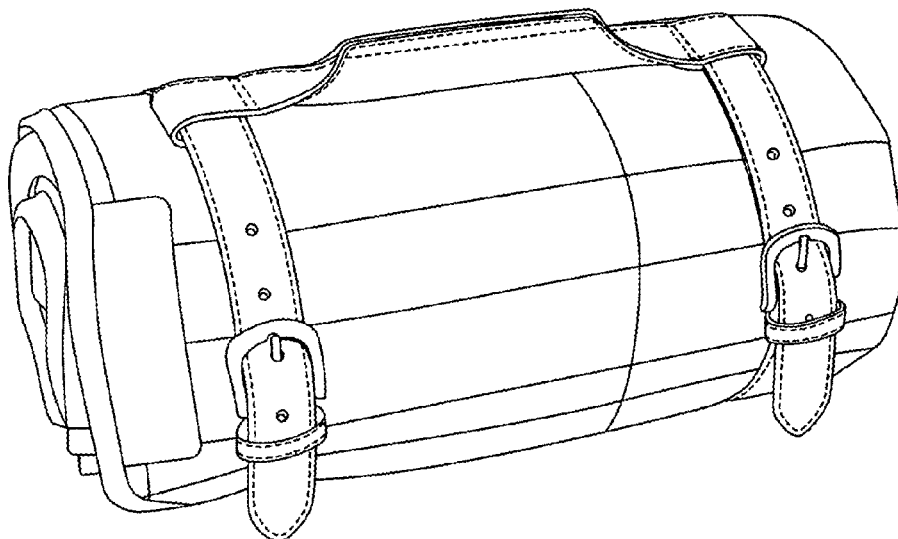
(57) **CLAIM**

The ornamental design for a picnic blanket with leather carrier handle, as shown and described.

DESCRIPTION

FIG. 1 is a perspective view of a picnic blanket with leather carrier handle showing my new design; FIG. 2 is a front elevational view thereof; FIG. 3 is a rear elevational view thereof; FIG. 4 is a left side elevational view thereof; FIG. 5 is a right side elevational view thereof; FIG. 6 is a top plan view thereof; and FIG. 7 is a bottom plan view thereof. FIG. 8 is a front elevational view thereof, illustrated in an unfolded position; and, FIG. 9 is a rear elevational view thereof, illustrated in an unfolded position. The broken lines represent stitching that form a part of the claimed design.

1 Claim, 9 Drawing Sheets



(56)

References Cited

U.S. PATENT DOCUMENTS

5,291,625	A *	3/1994	Leslie	A47C 27/081	8,347,431	B1 *	1/2013	Cohron, III	A47G 9/0253
					5/420						297/397
5,321,863	A *	6/1994	Yamaguchi	A47K 10/02	D776,459	S *	1/2017	Ibarra	D6/603
					2/69.5	9,756,921	B2 *	9/2017	Bergman	A45C 9/00
D379,730	S *	6/1997	Dickman	5/417	D821,782	S *	7/2018	Turlick	D6/603
D387,939	S *	12/1997	Tedesco	D6/610	D826,598	S *	8/2018	Thomas	D6/603
D392,146	S *	3/1998	Gregg	D6/608	D833,776	S *	11/2018	Casserly	D6/603
5,730,529	A *	3/1998	Fritz	A45C 3/10	D850,162	S *	6/2019	Datchuk	D6/608
					224/153	D850,819	S *	6/2019	Lloyd-Caldwell	D6/603
6,223,367	B1 *	5/2001	French	A45C 3/10	D855,355	S *	8/2019	McClellan-Miller	D6/603
					383/4	D855,356	S *	8/2019	Leinbach	D6/603
6,393,638	B1 *	5/2002	MacColl	A45F 4/02	D860,684	S *	9/2019	Fowler	D6/603
					383/4	D880,193	S *	4/2020	Clark	D6/601
6,782,572	B1 *	8/2004	Jones	A47C 7/383	D880,198	S *	4/2020	Umlauf	D6/611
					297/397	2004/0088788	A1 *	5/2004	Alane	A47G 27/0237
D527,938	S *	9/2006	Dandrea	D6/611						5/420
7,614,100	B1 *	11/2009	Barrington	A47G 9/062	2004/0154105	A1 *	8/2004	Roseff	A47C 27/082
					383/4						5/690
D646,485	S *	10/2011	Mason	D3/284	2007/0122066	A1 *	5/2007	Landay	A45C 11/26
											383/16
						2020/0128980	A1 *	4/2020	Hanifi	A47G 9/1081

* cited by examiner

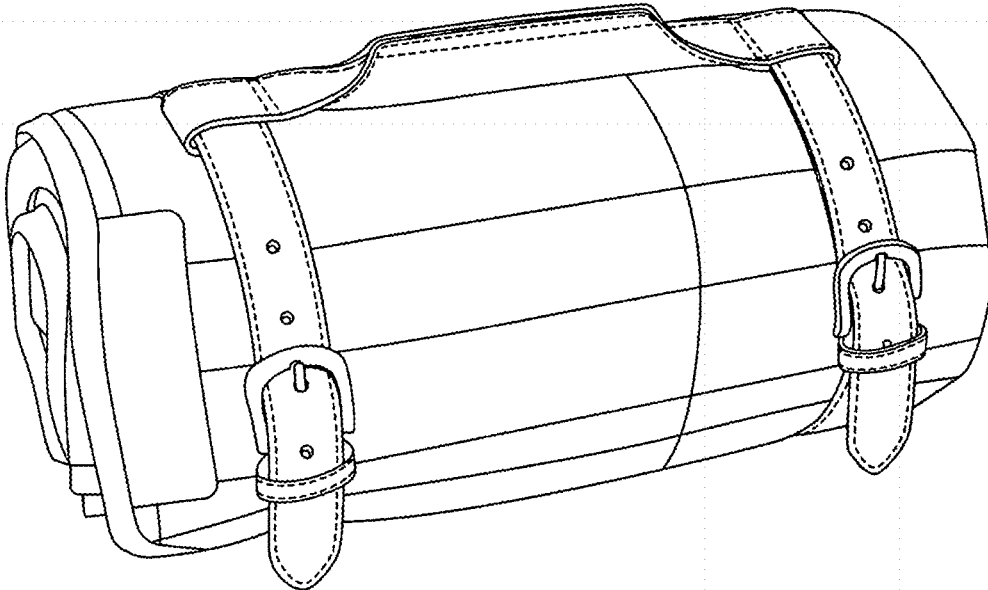


FIG.1

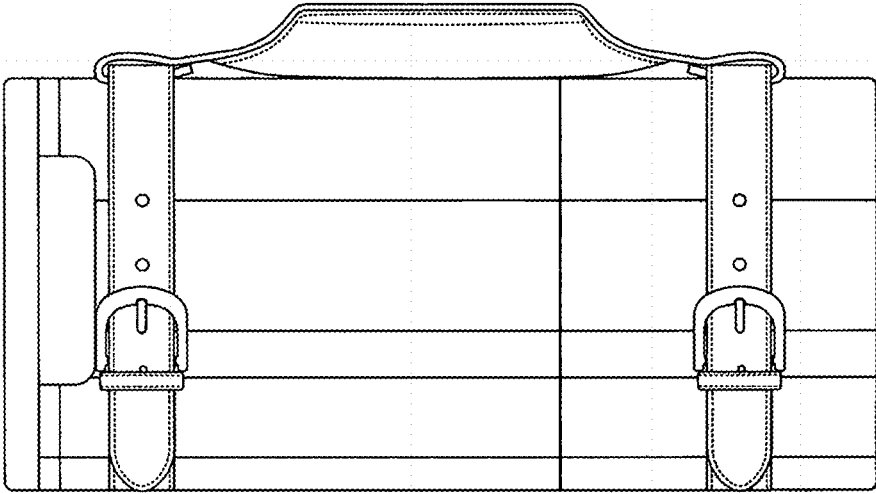


FIG.2

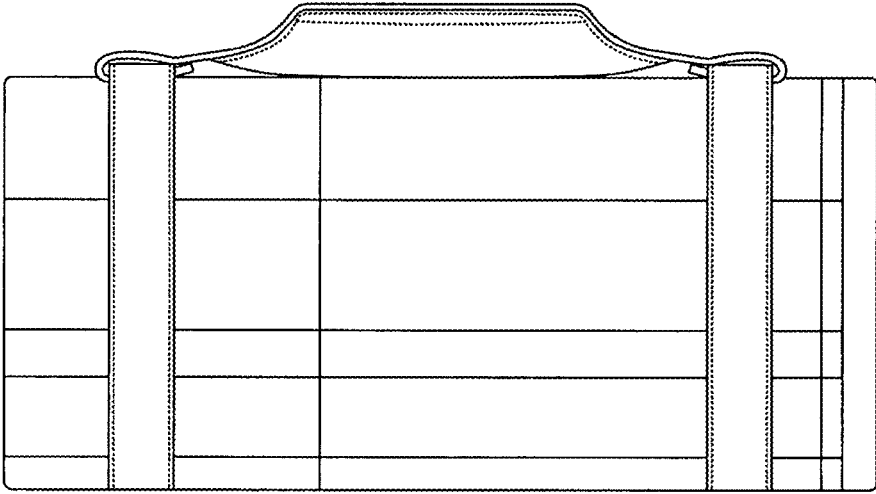


FIG.3

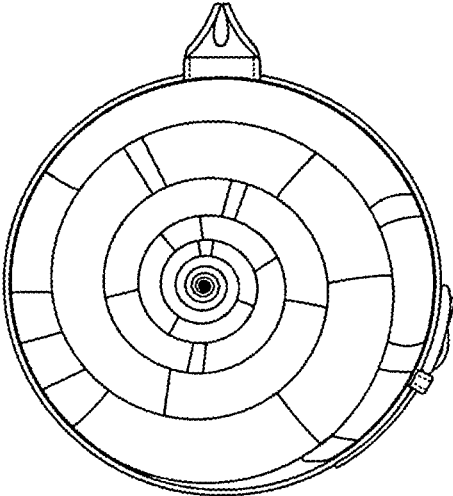


FIG.4

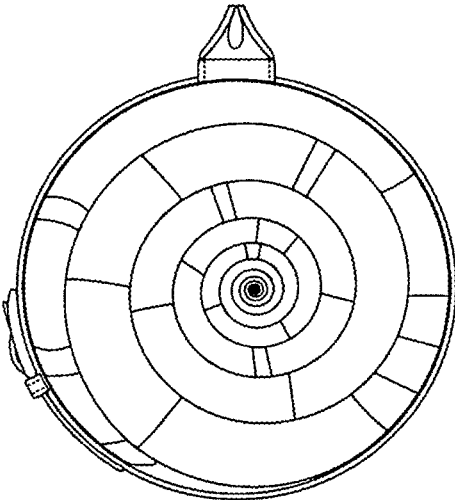


FIG.5

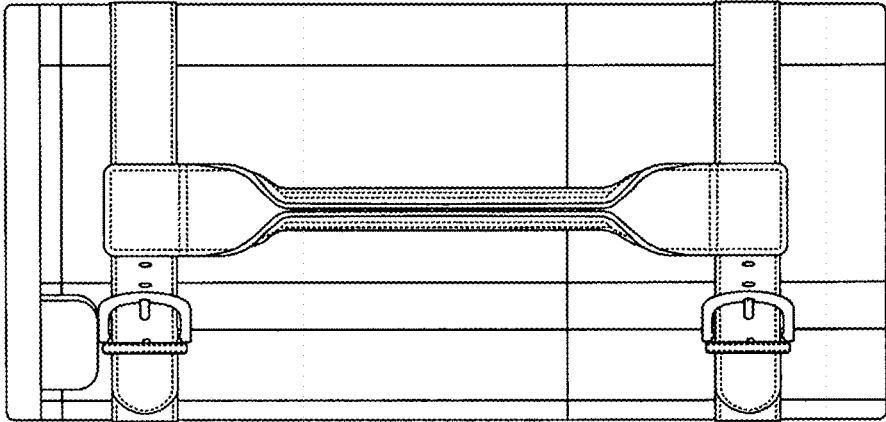


FIG.6

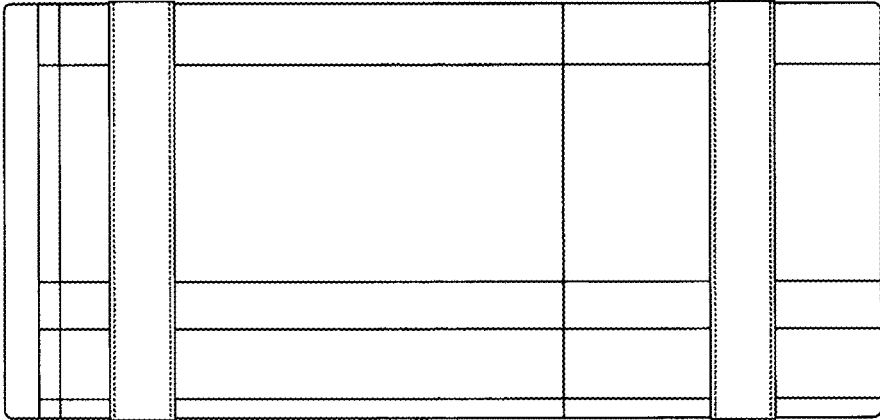


FIG. 7

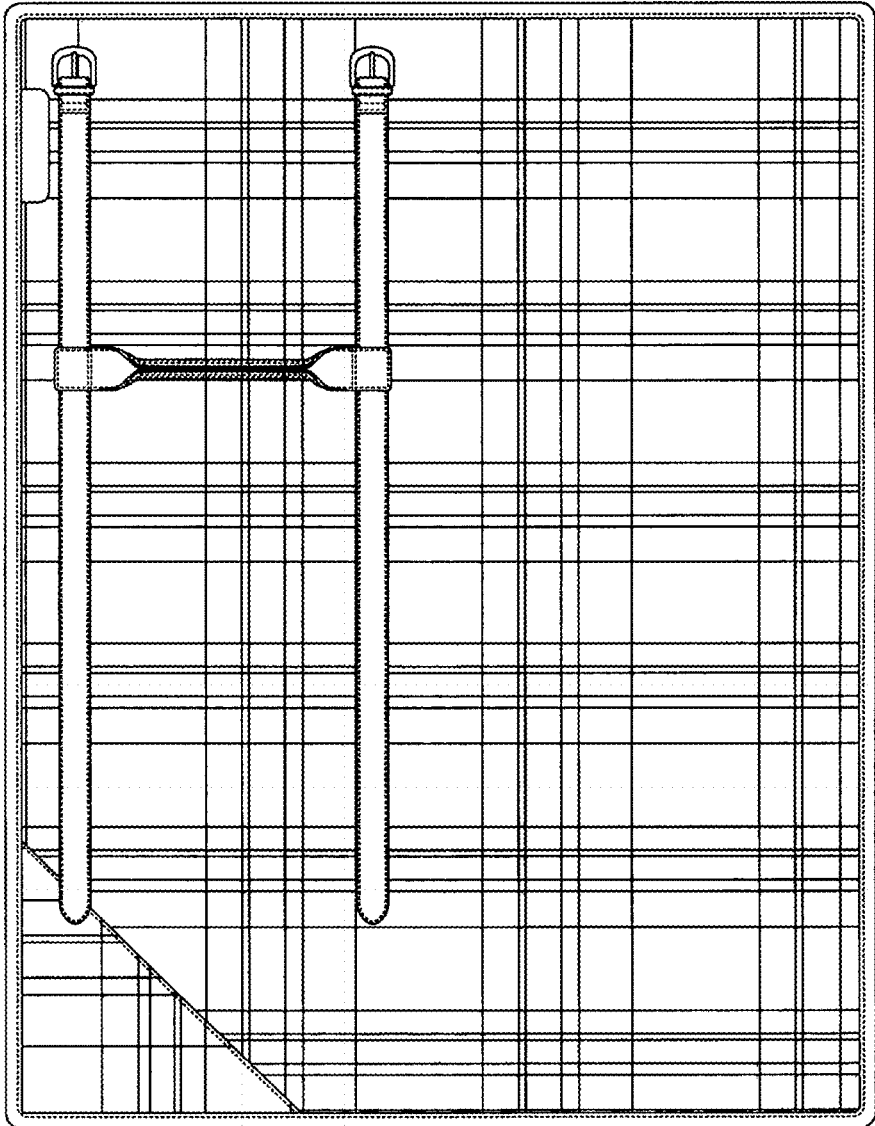


FIG. 8

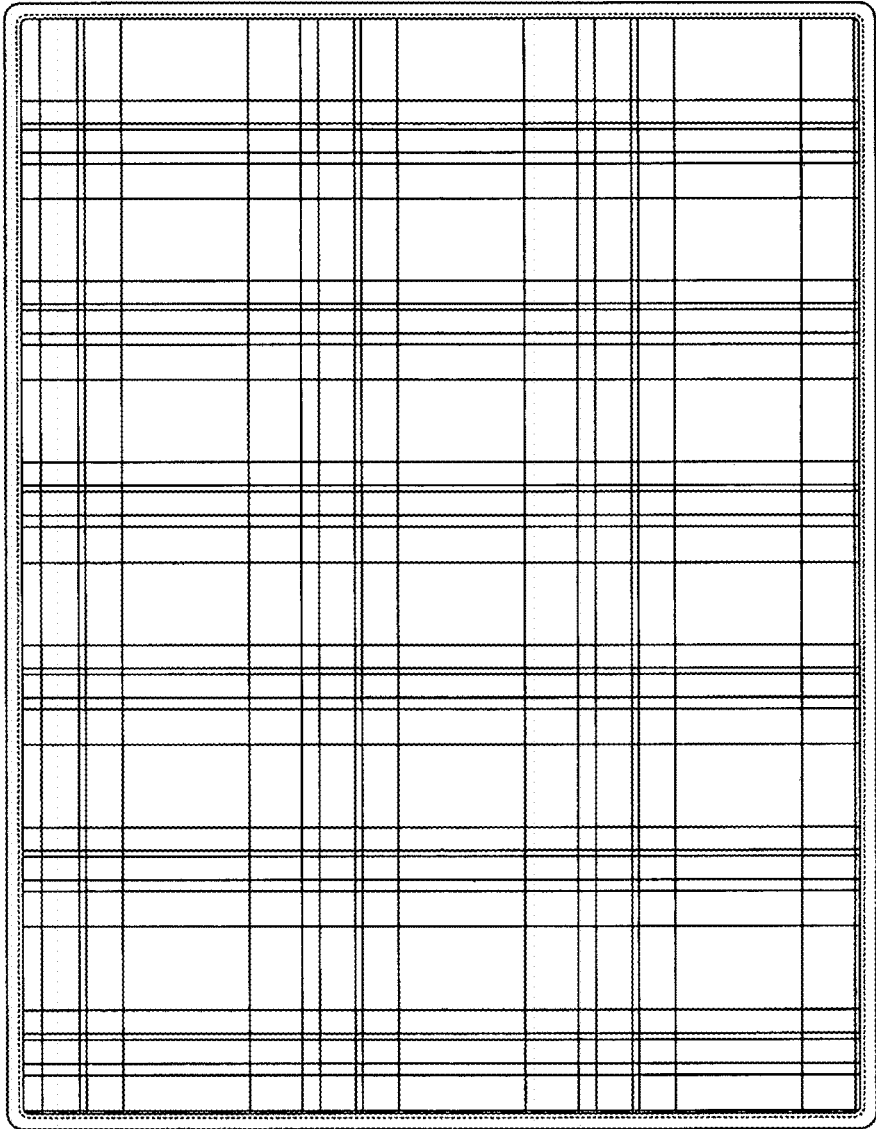


FIG. 9