



US00D846127S

(12) **United States Design Patent**
Yang et al.

(10) **Patent No.:** **US D846,127 S**

(45) **Date of Patent:** **** Apr. 16, 2019**

- (54) **SURGICAL ROBOT**
- (71) Applicant: **Imperial Innovations Limited**, London (GB)
- (72) Inventors: **Guang-Zhong Yang**, Surrey (GB);
Jianzhong Shang, Dartford (GB)
- (73) Assignee: **Imperial Innovations Limited**, London (GB)
- (**) Term: **15 Years**
- (21) Appl. No.: **29/588,176**
- (22) Filed: **Dec. 19, 2016**

| | | | | |
|----------------|---------|--------|-------|--------------|
| D749,223 S * | 2/2016 | Vargas | | D24/185 |
| 9,456,839 B2 * | 10/2016 | Cooper | | A61B 17/3201 |
| D771,253 S * | 11/2016 | Osada | | D24/138 |
| D781,943 S * | 3/2017 | Ries | | D15/148 |
| D798,449 S * | 9/2017 | Canady | | D24/138 |
| D802,041 S * | 11/2017 | He | | D15/199 |
| D808,005 S * | 1/2018 | Peretz | | D24/108 |
| D809,041 S * | 1/2018 | Zhang | | D15/199 |
| D818,019 S * | 5/2018 | Huang | | D15/199 |

* cited by examiner

Primary Examiner — Anhdao Doan

Assistant Examiner — Mary Shannon Malley

(74) *Attorney, Agent, or Firm* — Maine Cernota & Rardin

(30) **Foreign Application Priority Data**

Jun. 20, 2016 (OM) 003230192-0001

(51) **LOC (11) Cl.** **24-01**

(52) **U.S. Cl.**
USPC **D24/185**

(58) **Field of Classification Search**
USPC D24/185, 158, 184, 186, 175, 232, 138;
D14/452; D15/199
CPC A61B 34/30; A61B 34/32; A61B 34/35;
A61B 2034/301; A61B 2034/302; A61B
2034/303; A61B 2034/304; A61B
2034/305; A61B 2034/306
See application file for complete search history.

(56) **References Cited**

U.S. PATENT DOCUMENTS

| | | | | |
|--------------|---------|----------|-------|---------|
| D456,080 S * | 4/2002 | Karlsson | | D24/185 |
| D650,819 S * | 12/2011 | Liu | | D15/199 |

(57) **CLAIM**

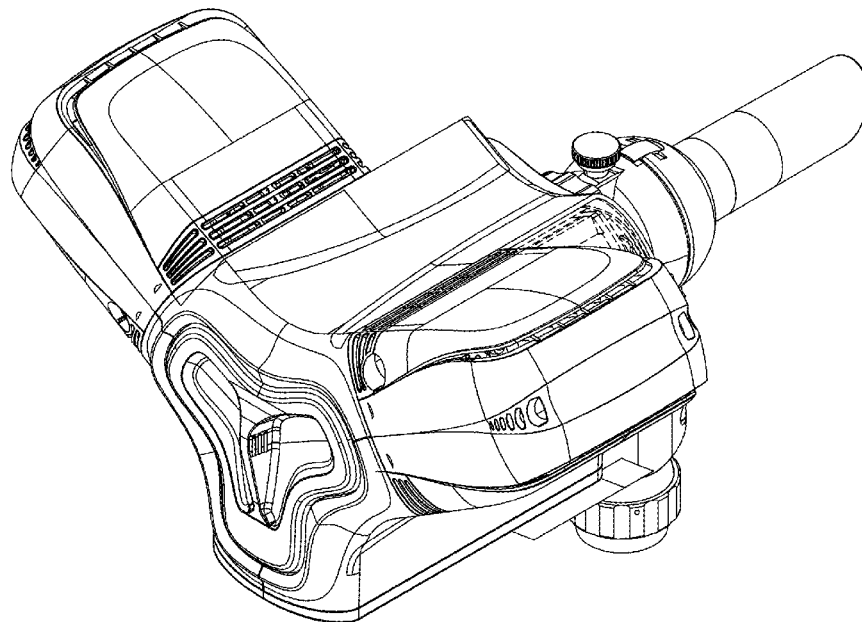
The ornamental design for a surgical robot, as shown and described.

DESCRIPTION

FIG. 1 is a top, rear, left-side isometric view of an embodiment of the surgical robot, showing our new design; FIG. 2 is a rear, right-side isometric view thereof; FIG. 3 is a front, left-side isometric view thereof; FIG. 4 is a front elevation view thereof; FIG. 5 is a top plan view thereof; FIG. 6 is a right-side elevation view thereof; and, FIG. 7 is a rear elevation view thereof.

The broken line portion of the figure drawings is included to show unclaimed subject matter only and forms no part of the claimed design.

1 Claim, 7 Drawing Sheets



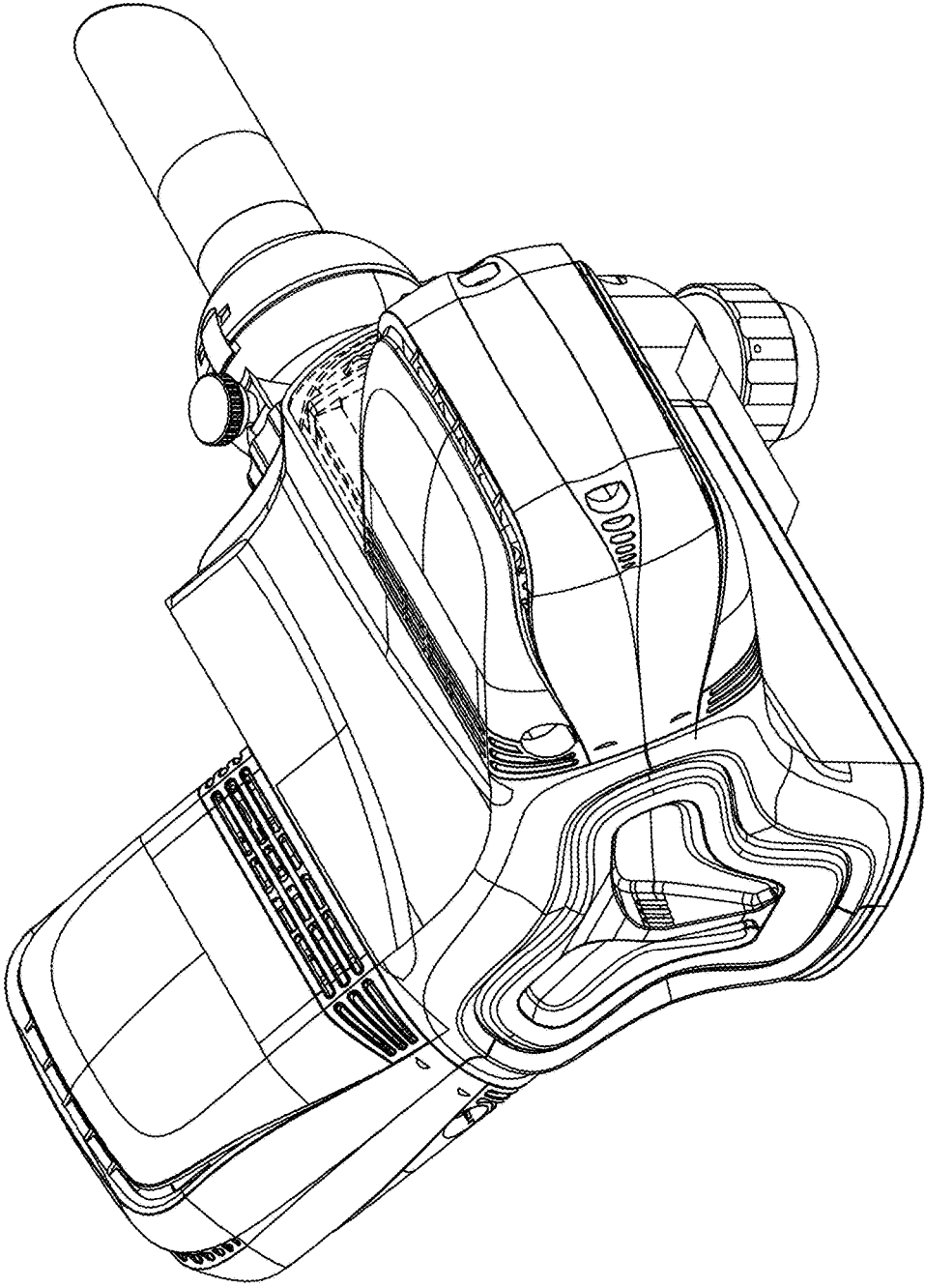


FIG. 1

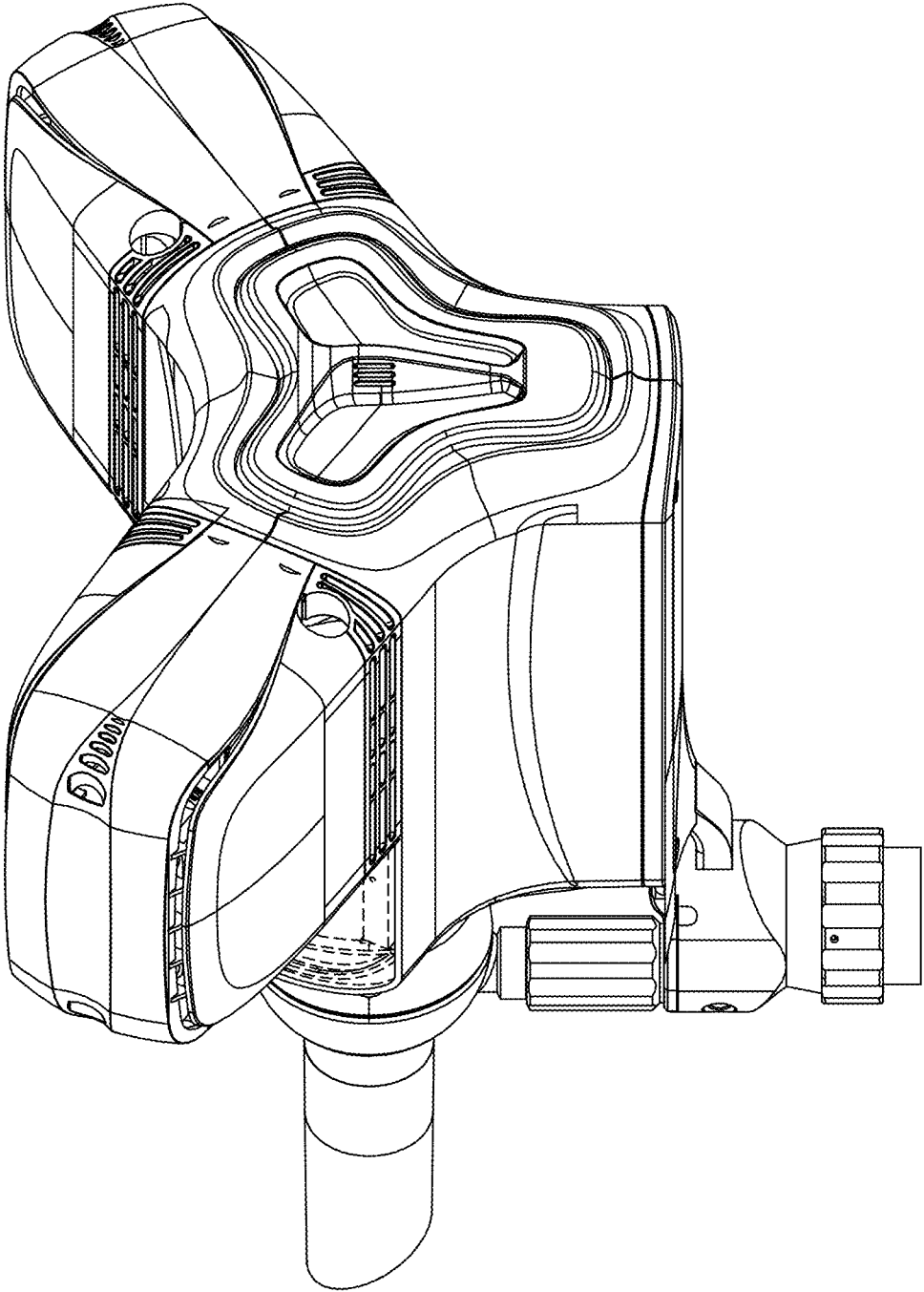


FIG. 2

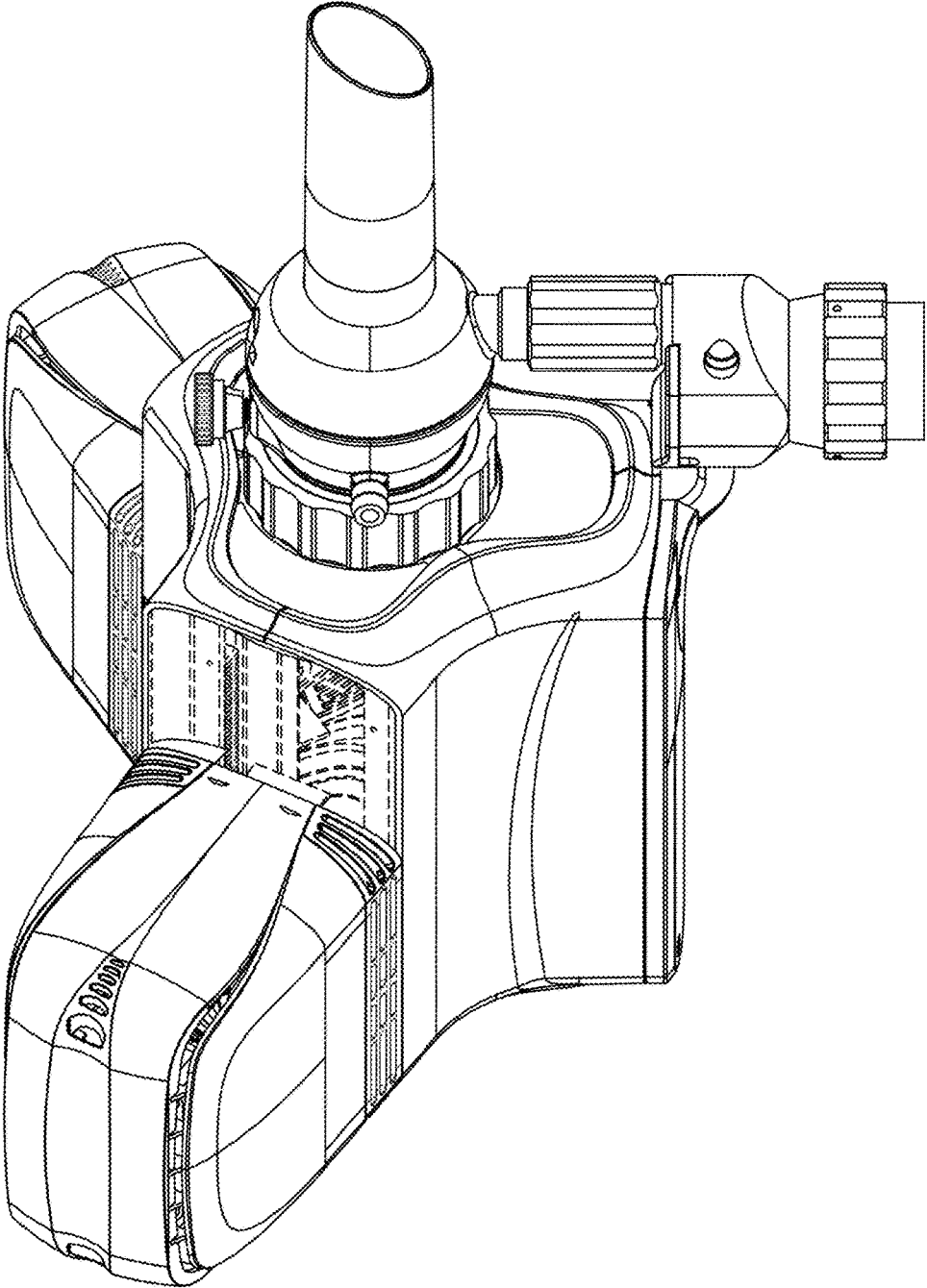


FIG. 3

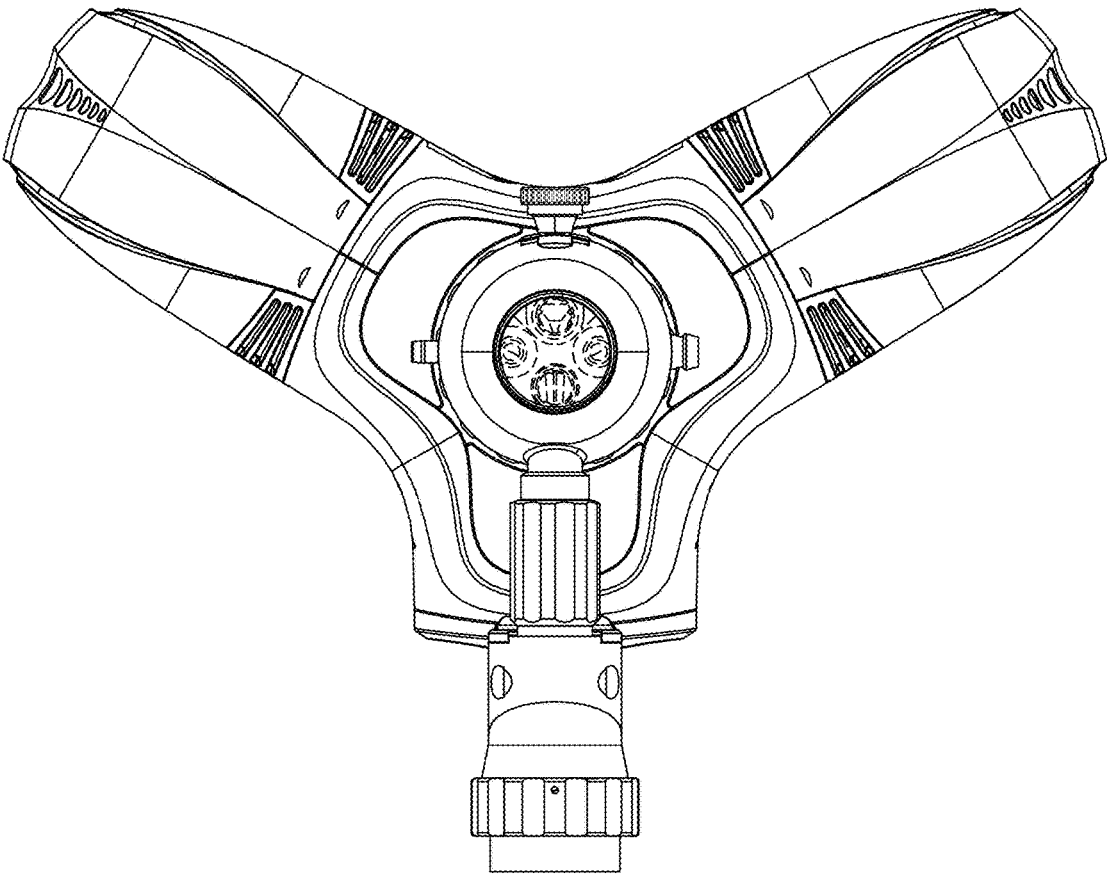


FIG. 4

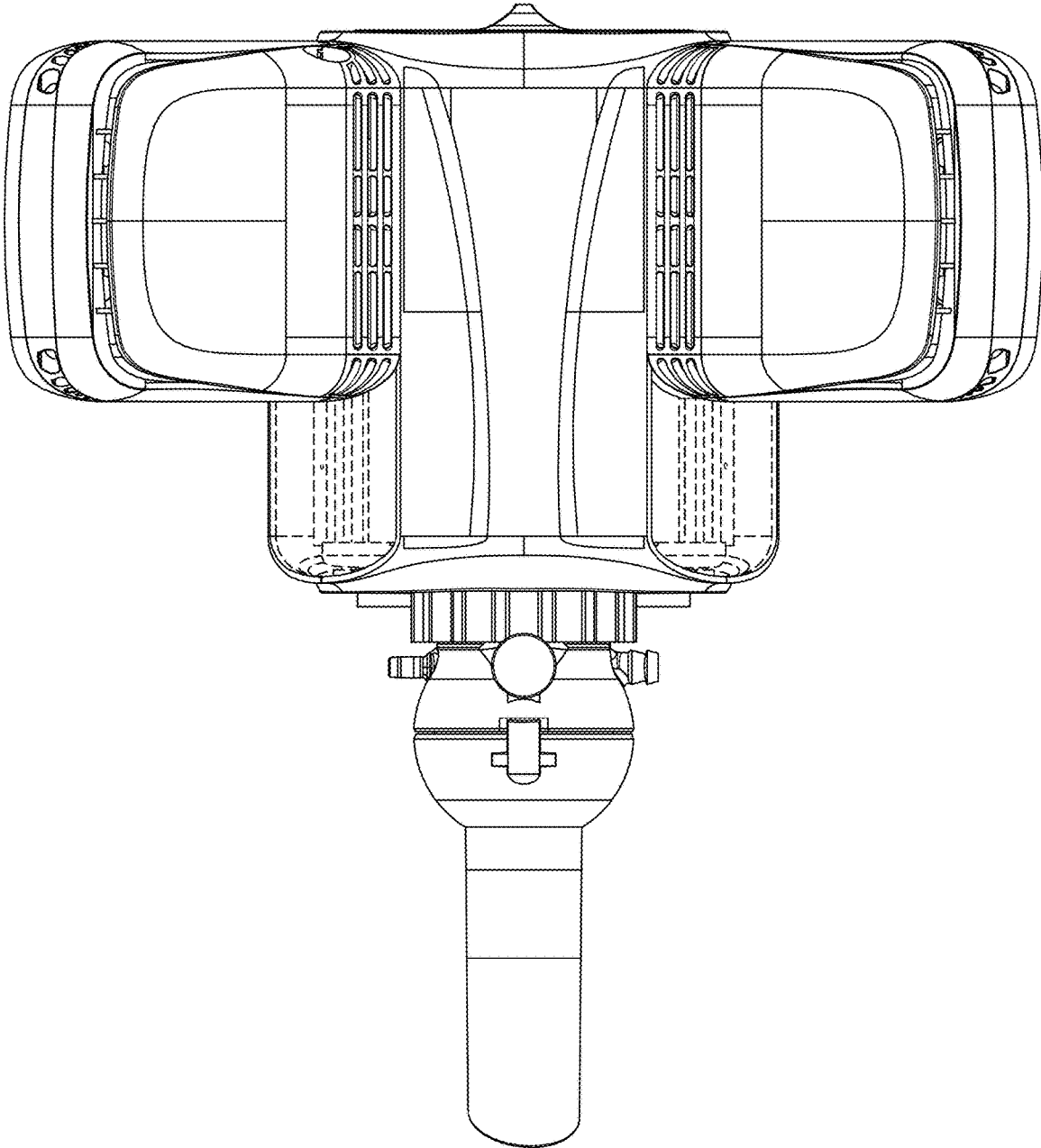


FIG. 5

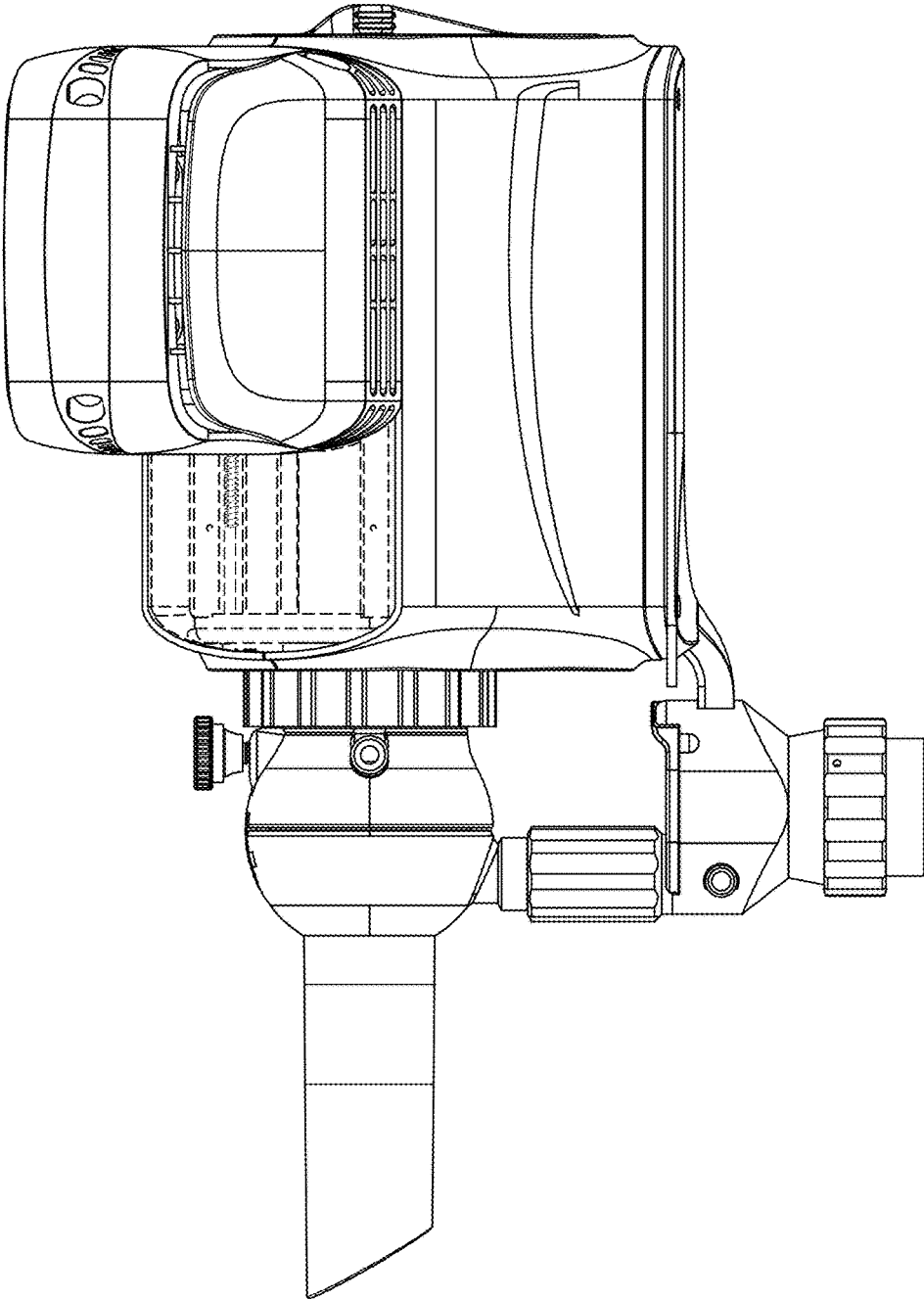


FIG. 6

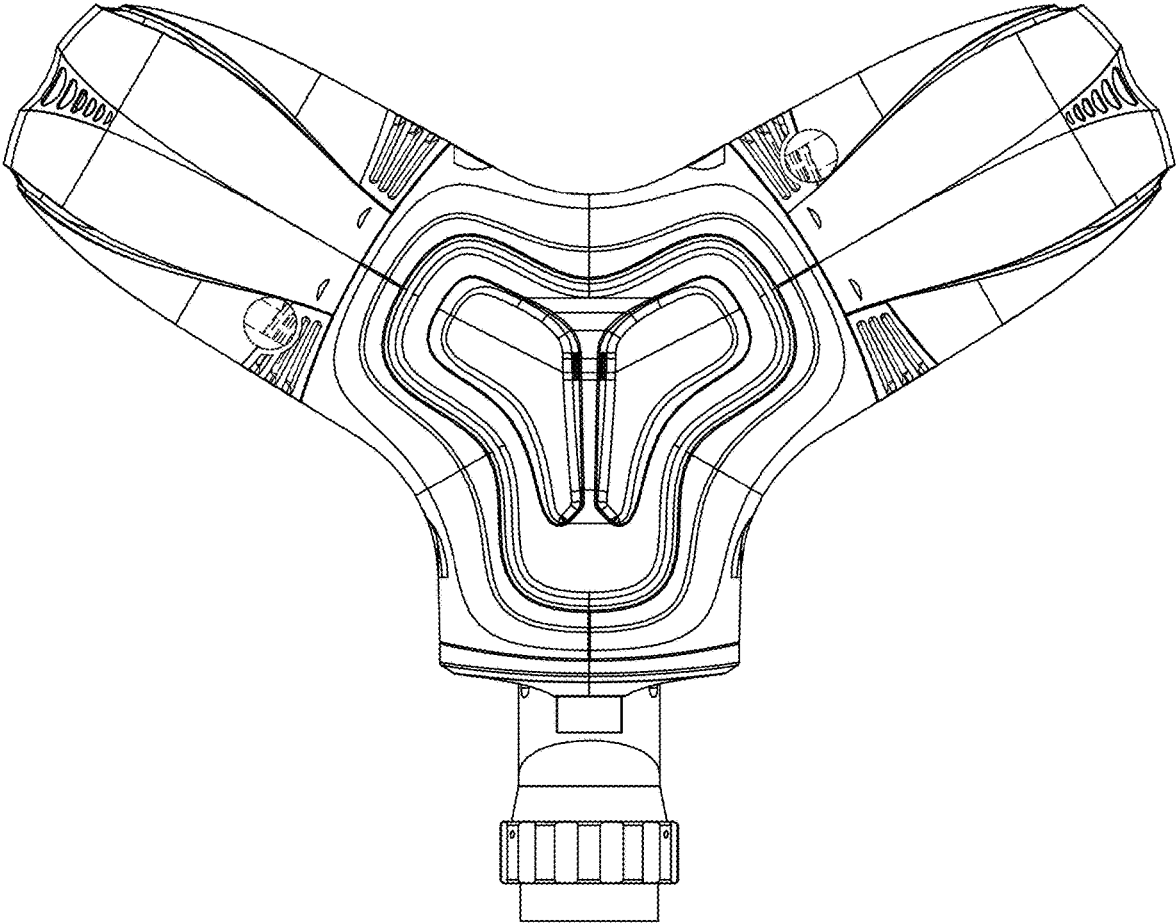


FIG. 7