



US00D918651S

(12) **United States Design Patent**  
**Strominger**

(10) **Patent No.:** **US D918,651 S**

(45) **Date of Patent:** **\*\* May 11, 2021**

(54) **SNACK CONTAINER LID FOR A DRINKING CUP**

17/00; B05B 15/002; A45D 34/00; A45D 34/042; A45D 2040/0006; A45D 2040/093

(71) Applicant: **Bonnie Sussman Strominger**, New York, NY (US)

See application file for complete search history.

(72) Inventor: **Bonnie Sussman Strominger**, New York, NY (US)

(56) **References Cited**

U.S. PATENT DOCUMENTS

(73) Assignee: **CRAZY MINDS LLC**, New York, NY (US)

4,770,318 A	9/1988	Earl	
D309,105 S *	7/1990	Fisher	D9/425
4,955,503 A	9/1990	Propes	
D322,757 S *	12/1991	Payne	D9/425
5,137,210 A	8/1992	Hibbs	

(Continued)

(\*\*) Term: **15 Years**

(21) Appl. No.: **29/541,400**

(22) Filed: **Oct. 2, 2015**

OTHER PUBLICATIONS

(51) **LOC (13) Cl.** ..... **07-01**

Spoontiques 2 in 1 combo snack drink cup: Site Visited [Jan. 17, 2020 [online]. Available from Internet URL: <https://funsationalfinds.com/products/spoontiques-m-m-2-in-1-combo-snack-drink-cup-16-oz>.\*

(52) **U.S. Cl.**

USPC ..... **D7/396.2**

(58) **Field of Classification Search**

USPC ..... D3/202, 203.1, 203.2, 318, 273, 275, D3/294; D6/515, 516, 518, 522, 523, D6/535, 541, 542; D7/300, 300.1, 316, D7/317, 387, 391, 392.1, 393, 396.2, 509, D7/510, 511, 531, 538-542, 549, 601, D7/602, 612-615, 629, 703, 900; D9/428, 434, 435, 438, 439, 440, 443, D9/446, 447, 448, 449, 450, 452, 453, D9/454, 502, 503, 504, 529, 549, 559, D9/628, 728, 734; D19/70, 71, 93, 96, D19/115, 162, 163, 165, 192, 194; D26/36, 123, 124; D28/7, 76, 78, 82, 91; D23/260; 220/203.1, 574-575, 780-806; 222/321.1-321.9, 282, 251, 602

CPC ..... A62C 31/02; B65D 1/02; B65D 1/0233; B65D 1/08; B65D 1/10; B65D 25/00; B65D 25/40; B65D 25/42; B65D 25/46; B65D 25/48; B65D 25/77; B65D 39/00; B65D 39/0047; B65D 41/00; B65D 43/00; B65D 43/02; B65D 51/02; B65D 51/04; B65D 1/04; B65D 81/3205; B65D 1/265; B65D 21/0209; B65D 21/0228; B65D 51/28; B65D 2231/022; B05B

*Primary Examiner* — Catherine S Posthauer

(74) *Attorney, Agent, or Firm* — BakerHostetler

(57) **CLAIM**

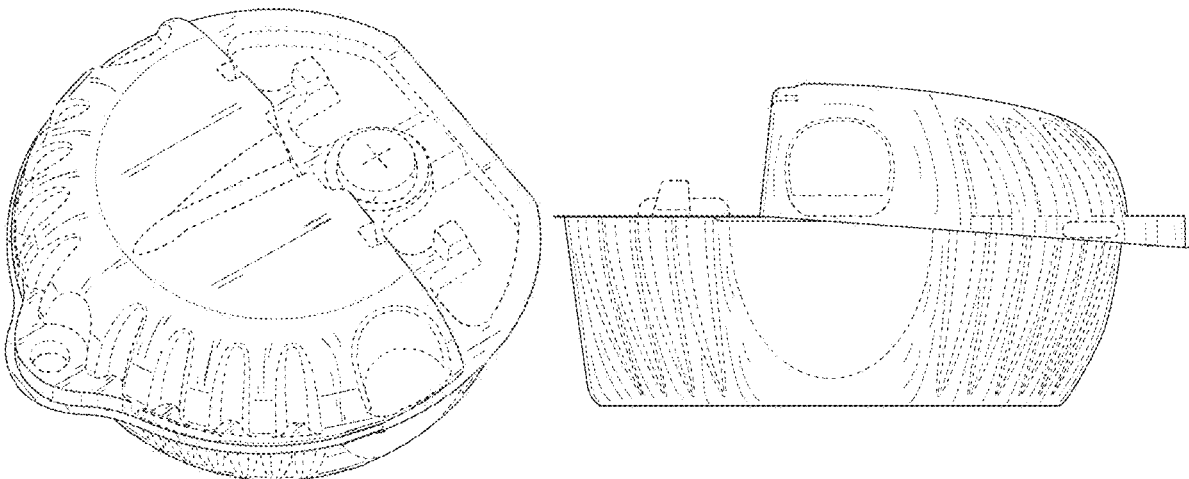
The ornamental design for a snack container lid for a drinking cup, as shown and described herein.

**DESCRIPTION**

FIG. 1 is a perspective view of a snack container lid for drinking showing my new design;  
 FIG. 2 is a front view thereof;  
 FIG. 3 is a back view thereof;  
 FIG. 4 is a first side view thereof;  
 FIG. 5 is an opposite side view thereof;  
 FIG. 6 is a top view thereof; and,  
 FIG. 7 is a bottom view thereof.

The broken lines are shown for the purpose of illustrating both parts of the article as well as the boundaries of the claim. None of the broken lines form part of the claim.

**1 Claim, 7 Drawing Sheets**



(56)

References Cited

U.S. PATENT DOCUMENTS

5,180,079	A	1/1993	Jeng				
D351,706	S *	10/1994	Breen	.....	D34/11		
D395,754	S *	7/1998	Sautter	.....	D3/294		
D409,043	S *	5/1999	Lillelund	.....	D7/392		
D418,363	S *	1/2000	Barnes	.....	D7/392		
6,102,209	A *	8/2000	D'Andrea	.....	A45D 40/0068		
					206/581		
D467,499	S	12/2002	Garza et al.				
D478,779	S *	8/2003	Stamper, III	.....	D7/510		
D480,968	S	10/2003	Atkins et al.				
D496,154	S *	9/2004	Herman	.....	D3/203.1		
D518,996	S *	4/2006	Schmidt	.....	D7/392		
D524,153	S *	7/2006	Reinhard	.....	D9/428		
7,111,748	B2	9/2006	Cha				
D530,911	S *	10/2006	Guitay	.....	D3/273		
D535,144	S *	1/2007	George	.....	D7/392.1		
D545,055	S *	6/2007	Lieberman	.....	D3/203.1		
D577,998	S *	10/2008	Decottignies	.....	D9/448		
D604,565	S *	11/2009	Roth	.....	D7/629		
D609,009	S *	2/2010	Schaal	.....	D3/294		
7,676,909	B2	3/2010	MacKenzie et al.				
D625,999	S *	10/2010	Arnell	.....	D9/449		
D628,021	S *	11/2010	Curtin	.....	D7/629		
D629,300	S *	12/2010	Arnell	.....	D9/449		
D630,905	S *	1/2011	Cornu	.....	D7/538		
7,882,991	B2	2/2011	Schechter				
D636,634	S *	4/2011	Kemper	.....	D7/396.1		
D653,906	S *	2/2012	Bull	.....	D7/391		
D664,035	S *	7/2012	Hu	.....	D9/435		
D666,863	S *	9/2012	Fallon	.....	D7/300		
D683,580	S *	6/2013	Rosenfeld	.....	D7/392		
D688,093	S *	8/2013	Roth	.....	D7/392.1		
D691,414	S *	10/2013	Trombly	.....	D7/392.1		
D695,576	S *	12/2013	Roehrig	.....	D7/629		
8,631,957	B2	1/2014	Dart et al.				
D709,320	S *	7/2014	Jagger	.....	D7/392.1		
8,939,312	B1 *	1/2015	Buck	.....	A47G 19/065		
					220/212		
8,973,776	B1 *	3/2015	Buck	.....	A47G 19/2272		
					220/521		
D727,730	S *	4/2015	Buschmann	.....	D9/449		
D731,793	S *	6/2015	Houghton	.....	D3/294		
D795,058	S *	8/2017	Buck	.....	D9/428		
2008/0073415	A1	3/2008	Kuighadush				
2008/0099494	A1	5/2008	Boukais et al.				
2010/0015293	A1 *	1/2010	Shapiro	.....	B65D 1/34		
					426/87		
2011/0210126	A1	9/2011	Vovan				
2011/0303678	A1 *	12/2011	Zomorodi	.....	B65D 81/3205		
					220/574		
2012/0168329	A1	7/2012	Berggren				
2012/0168440	A1	7/2012	Nerswick et al.				
2012/0273500	A1	11/2012	Yao				
2013/0001233	A1	1/2013	Hylton				
2013/0056463	A1	3/2013	Buck				
2013/0228486	A1	9/2013	Buck				
2014/0216959	A1 *	8/2014	Raymus	.....	A47G 19/2272		
					206/221		
2014/0346169	A1 *	11/2014	Strominger	.....	B65D 21/0209		
					220/23.83		

\* cited by examiner

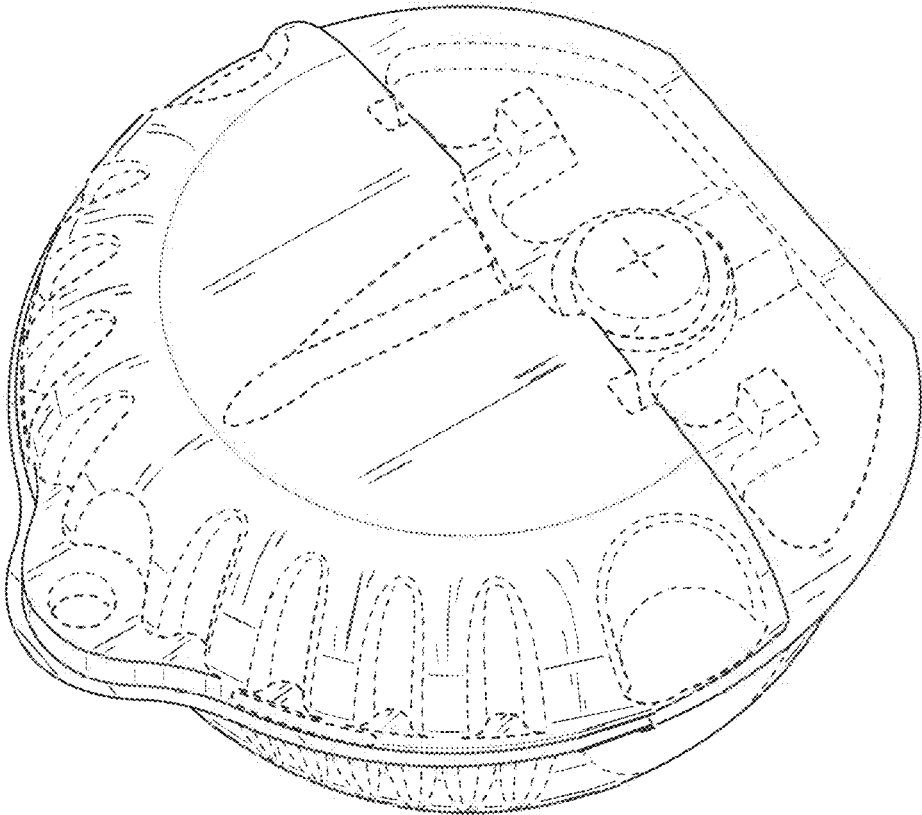


FIG. 1

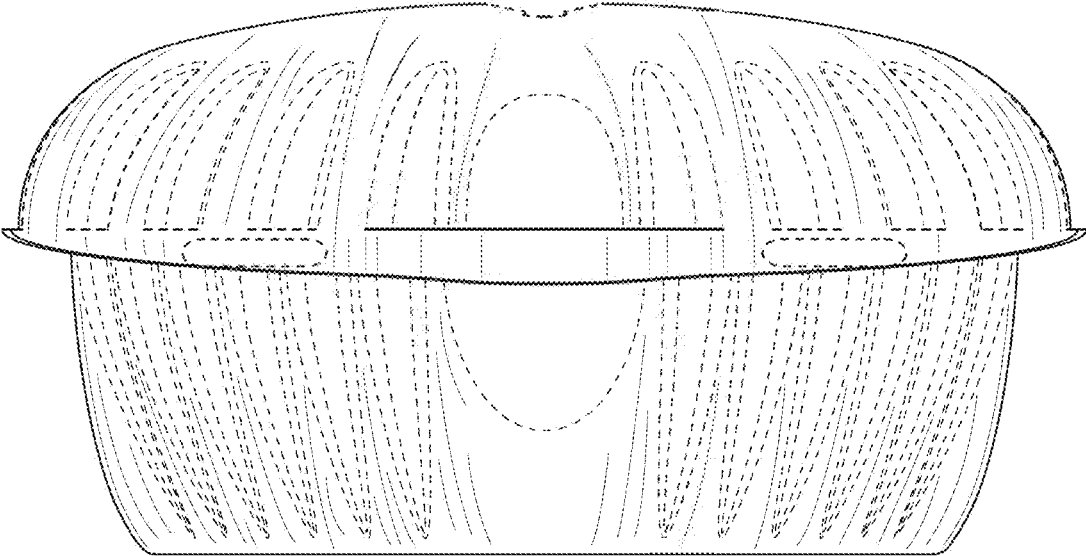


FIG. 2

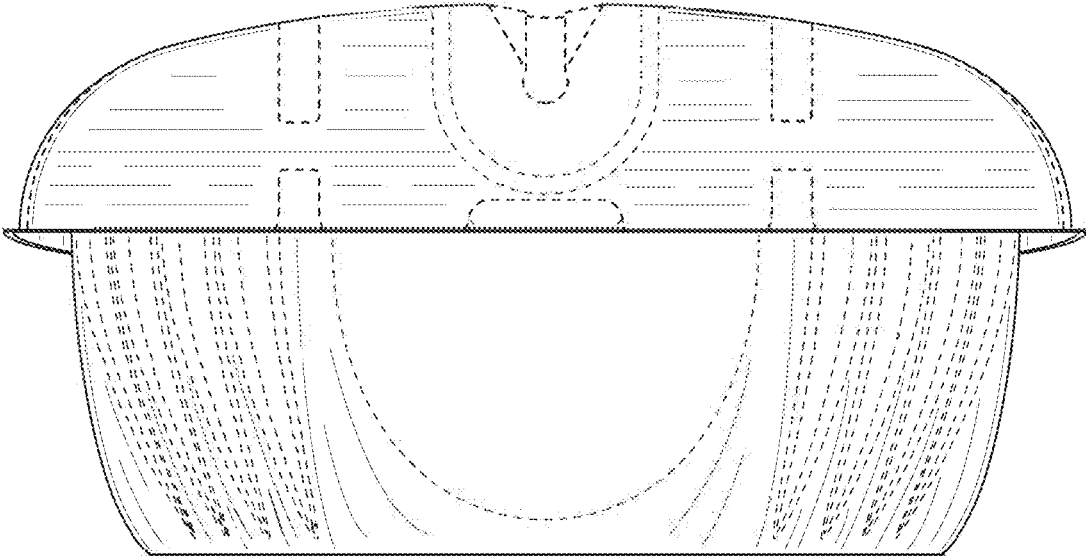


FIG. 3

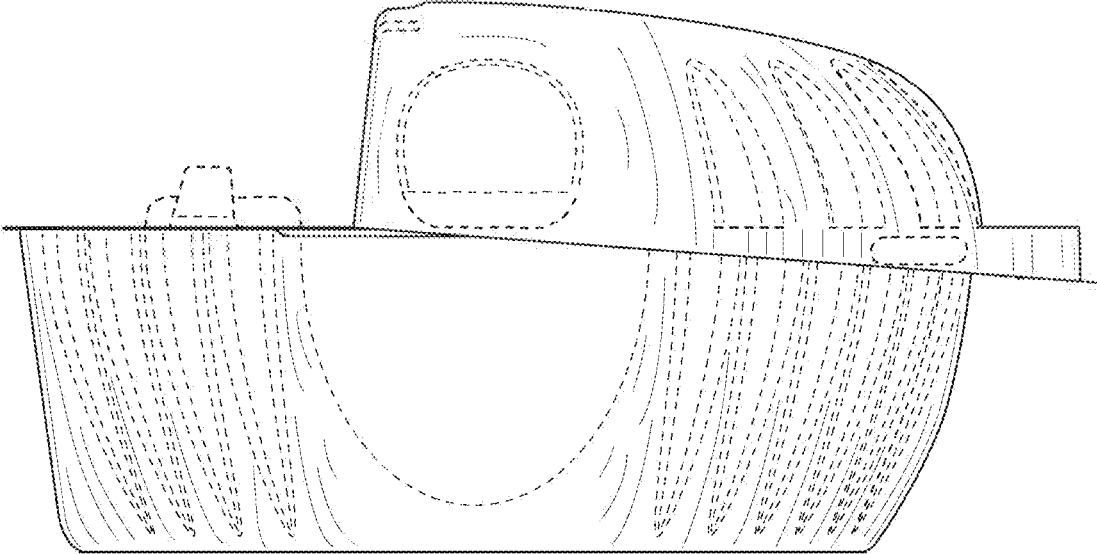


FIG. 4

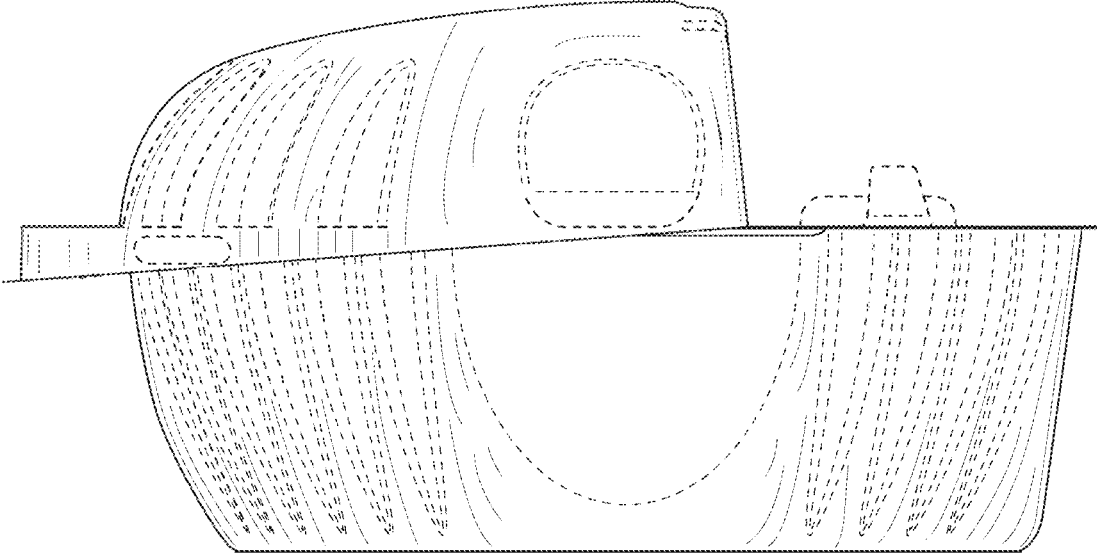


FIG. 5

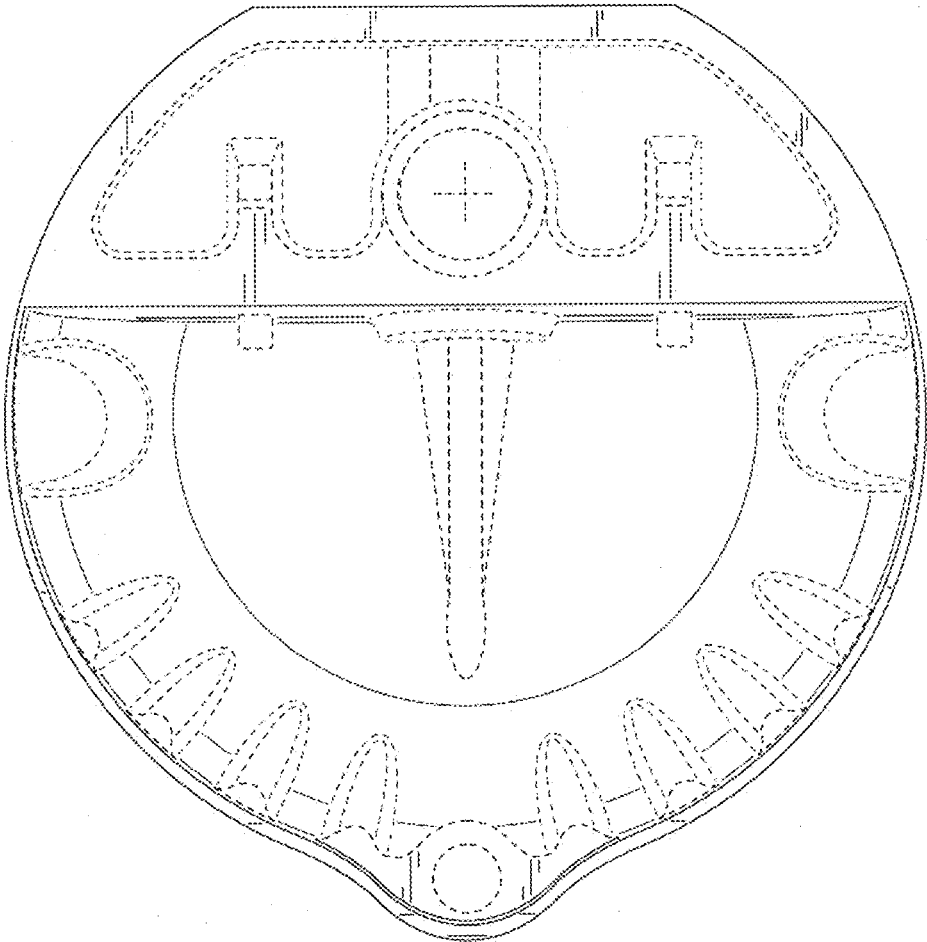


FIG. 6



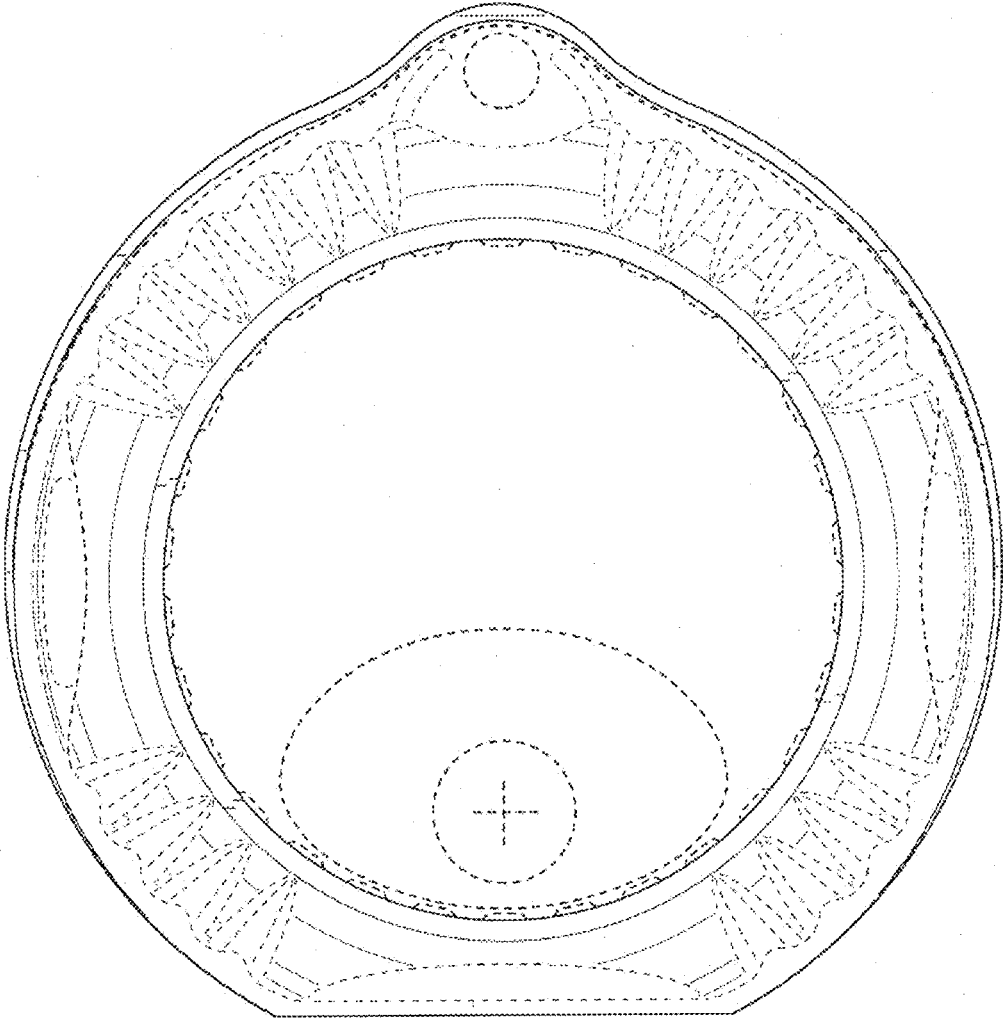


FIG. 7