

(12) **United States Design Patent**  
**Hall**

(10) **Patent No.:** **US D801,512 S**  
(45) **Date of Patent:** **\*\* Oct. 31, 2017**

- (54) **DOOR PANEL**
- (71) Applicant: **Julian Hall**, Indianapolis, IN (US)
- (72) Inventor: **Julian Hall**, Indianapolis, IN (US)
- (\*\*) Term: **15 Years**
- (21) Appl. No.: **29/578,544**
- (22) Filed: **Sep. 22, 2016**
- (51) **LOC (10) Cl.** ..... **23-04**
- (52) **U.S. Cl.**  
USPC ..... **D23/388**
- (58) **Field of Classification Search**  
USPC ..... D23/387, 388, 385, 386, 393, 397;  
D6/703; D8/400; D25/48.3  
CPC .. F23M 7/04; F24F 12/00; F24F 13/00; F24F  
13/0227; F24F 13/0236  
See application file for complete search history.

4,242,846 A \* 1/1981 Hurd ..... E04H 6/005  
52/64  
4,330,047 A \* 5/1982 Ruspa ..... F24F 13/08  
181/224  
4,480,533 A \* 11/1984 Bolton ..... F24F 13/00  
165/54

(Continued)

**OTHER PUBLICATIONS**

Modern-aluminum-entry-doors, image post date Aug. 20, 2016, site visited Jun. 21, 2017, (online), <<https://www.tineye.com/search/7f9e9588e7cb968005df2263f31d861c4ffc2195/>>.\*

(Continued)

*Primary Examiner* — Kevin Rudzinski  
*Assistant Examiner* — Sean D Lough  
(74) *Attorney, Agent, or Firm* — Gary E. Lambert; David J. Connaughton, Jr.; Lambert & Associates

(56) **References Cited**

**U.S. PATENT DOCUMENTS**

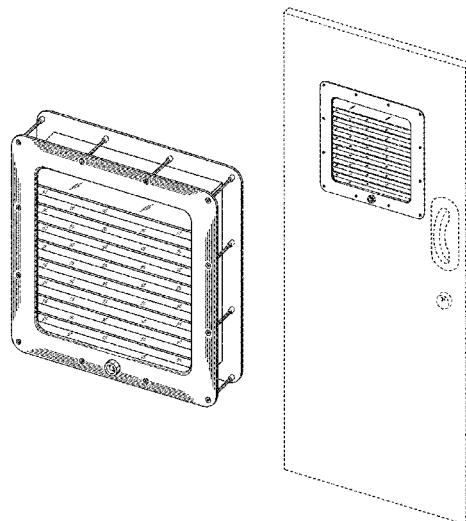
- 2,194,137 A \* 3/1940 Copersito ..... E06B 7/02  
454/195  
2,210,516 A \* 8/1940 Wheeler ..... F24F 13/08  
160/223  
2,551,969 A \* 5/1951 Rysdon ..... F24F 13/08  
454/283  
2,681,000 A \* 6/1954 Redmond, Jr. .... F24F 13/08  
454/261  
2,758,646 A \* 8/1956 Johnson ..... E06B 7/32  
160/123  
3,159,091 A \* 12/1964 Schutt ..... F24F 13/08  
454/299  
3,447,443 A \* 6/1969 Silvey ..... F24F 13/08  
137/601.09  
3,923,134 A \* 12/1975 Rezazadeh ..... G07F 5/18  
194/241  
4,167,838 A \* 9/1979 Metheny ..... A01G 9/14  
52/262  
4,211,213 A \* 7/1980 Nissen ..... F24J 2/0427  
126/563

(57) **CLAIM**  
The ornamental design for a door panel, as shown and described.

**DESCRIPTION**

FIG. 1 is an isometric view of a door panel embodying my design;  
FIG. 2 is a front view of the door panel;  
FIG. 3 is a back side view of the door panel;  
FIG. 4 is a top plan view of the door panel;  
FIG. 5 is a bottom plan view of the door panel;  
FIG. 6 is a side view of the door panel;  
FIG. 7 is a side view of the door panel; and,  
FIG. 8 is an isometric view of a door panel in a position of use.  
The door depicted by broken lines in FIG. 8 have been shown for the purpose of illustrating environmental features that form no part of the claimed design.

**1 Claim, 4 Drawing Sheets**



(56)

## References Cited

## U.S. PATENT DOCUMENTS

- 4,592,271 A \* 6/1986 Young ..... F24F 13/075  
454/277
- D285,830 S \* 9/1986 Daily ..... D23/388
- 4,669,371 A \* 6/1987 Sarazen, Jr. .... F24F 13/00  
248/27.3
- D298,053 S \* 10/1988 Waltz ..... D23/387
- 4,915,023 A \* 4/1990 Porter ..... E06B 7/082  
403/401
- 4,991,459 A \* 2/1991 Stewart ..... F24F 3/14  
74/108
- 5,007,226 A \* 4/1991 Nelson ..... F25D 23/068  
52/407.2
- D330,076 S \* 10/1992 Evans ..... D23/386
- 5,226,293 A \* 7/1993 Brock ..... F24F 13/08  
261/106
- 5,254,034 A \* 10/1993 Roth ..... F24F 13/08  
454/277
- 5,342,516 A \* 8/1994 Rachak ..... A47K 11/02  
210/218
- 5,452,641 A \* 9/1995 Kariya ..... E05G 1/026  
109/78
- 5,758,457 A \* 6/1998 Achen ..... E06B 7/082  
454/195
- 5,771,647 A \* 6/1998 Kempen ..... F24F 13/08  
403/282
- 5,782,231 A \* 7/1998 Wade ..... F24B 1/1808  
126/200
- D407,479 S \* 3/1999 Sternberg, Sr. .... D23/329
- 5,937,792 A \* 8/1999 Madrid ..... A01K 1/00  
119/482
- 5,976,009 A \* 11/1999 Achen ..... E06B 7/082  
454/195
- D428,065 S \* 7/2000 Sexton ..... D21/393
- 6,164,369 A \* 12/2000 Stoller ..... H05K 7/206  
165/104.33
- D451,187 S \* 11/2001 Webb ..... D23/393
- D451,589 S \* 12/2001 Axelsson ..... D23/387
- 6,405,630 B1 \* 6/2002 Gonzalez ..... F41H 7/035  
89/36.01
- D461,235 S \* 8/2002 Arlotta ..... D23/393
- 6,672,195 B1 \* 1/2004 Plattner ..... B64C 1/1469  
89/36.04
- 6,698,690 B2 \* 3/2004 Novak ..... B64C 1/1423  
244/118.5
- 7,097,557 B2 \* 8/2006 Kutschman ..... E04B 1/7076  
454/275
- D538,422 S \* 3/2007 Hooijmaaijers ..... D23/387
- D549,314 S \* 8/2007 Wennerstrom ..... D23/365
- D581,517 S \* 11/2008 Koury ..... D23/412
- 7,484,286 B2 \* 2/2009 Fowler ..... E06B 3/7001  
160/104
- D602,146 S \* 10/2009 Olesen ..... D23/386
- D605,275 S \* 12/2009 Kawano ..... D23/365
- D607,667 S \* 1/2010 Cayouette ..... D6/675.1
- D622,521 S \* 8/2010 Urquiola ..... D6/675.1
- 8,037,802 B2 \* 10/2011 Ciriscioli ..... F41H 5/0407  
109/58
- D683,009 S \* 5/2013 Gartner ..... D23/370
- 8,613,243 B2 \* 12/2013 Gonard ..... F41H 5/013  
89/36.08
- D697,346 S \* 1/2014 Wysock ..... D6/703
- 8,640,592 B1 \* 2/2014 Gabrys ..... F41H 7/042  
296/187.07
- 8,651,924 B1 \* 2/2014 Jones ..... B64D 13/02  
244/118.5
- D701,950 S \* 4/2014 Chan ..... D23/342
- 8,869,458 B2 \* 10/2014 Ivasiv ..... E05C 3/042  
49/400
- D719,253 S \* 12/2014 Francescon ..... D23/388
- 8,934,226 B2 \* 1/2015 Smith ..... G06F 1/1613  
361/679.2
- D725,290 S \* 3/2015 Kleiman ..... D25/48.4
- D726,337 S \* 4/2015 Doyle ..... D25/48.3
- D726,896 S \* 4/2015 Rohskopf ..... D23/387
- D730,093 S \* 5/2015 Hawkins ..... D6/703.5
- D734,068 S \* 7/2015 Dworman ..... D6/662.1
- D735,931 S \* 8/2015 Lehman ..... D26/121
- 9,140,054 B2 \* 9/2015 Oberbroeckling .... E06B 3/7001
- D740,965 S \* 10/2015 Wysock ..... D25/48.3
- D742,313 S \* 11/2015 Gao ..... D13/110
- D746,424 S \* 12/2015 Takahashi ..... D13/123
- 9,217,317 B2 \* 12/2015 Backes ..... E21B 43/0122
- D747,000 S \* 1/2016 Riechmann ..... D25/48.3
- D754,835 S \* 4/2016 Uehara ..... D23/371
- D757,456 S \* 5/2016 Sheppard ..... D6/513
- 9,347,679 B2 \* 5/2016 Bruhnke ..... F24F 13/082
- D761,411 S \* 7/2016 Schanzenbach ..... D23/371
- 9,441,357 B1 \* 9/2016 Vafae ..... E04B 1/34869
- D773,023 S \* 11/2016 Nishiguchi ..... D23/351
- D773,626 S \* 12/2016 Nishiguchi ..... 165/121
- D775,316 S \* 12/2016 Nakai ..... D23/351
- D775,866 S \* 1/2017 Ben Avi ..... D6/657
- D776,466 S \* 1/2017 Bonuccelli ..... D6/675.1
- D780,324 S \* 2/2017 Wysock ..... D25/48.3
- D784,512 S \* 4/2017 Jonas ..... D23/388
- D788,491 S \* 6/2017 Lim ..... D6/559
- 2016/0265804 A1 \* 9/2016 Holland ..... F24F 13/222

## OTHER PUBLICATIONS

Hurricane Shutters, image post date Nov. 21, 2010, site visited Jun. 21, 2017, (online), <<https://web.archive.org/web/20101121003103/http://www.hurricanesupply.com/>>.\*

Corrugated storm panels, image post date 1998, site visited Jun. 21, 2017, (online), <<http://shuteroutlet.com/products/storm-panels/>>.\*

\* cited by examiner

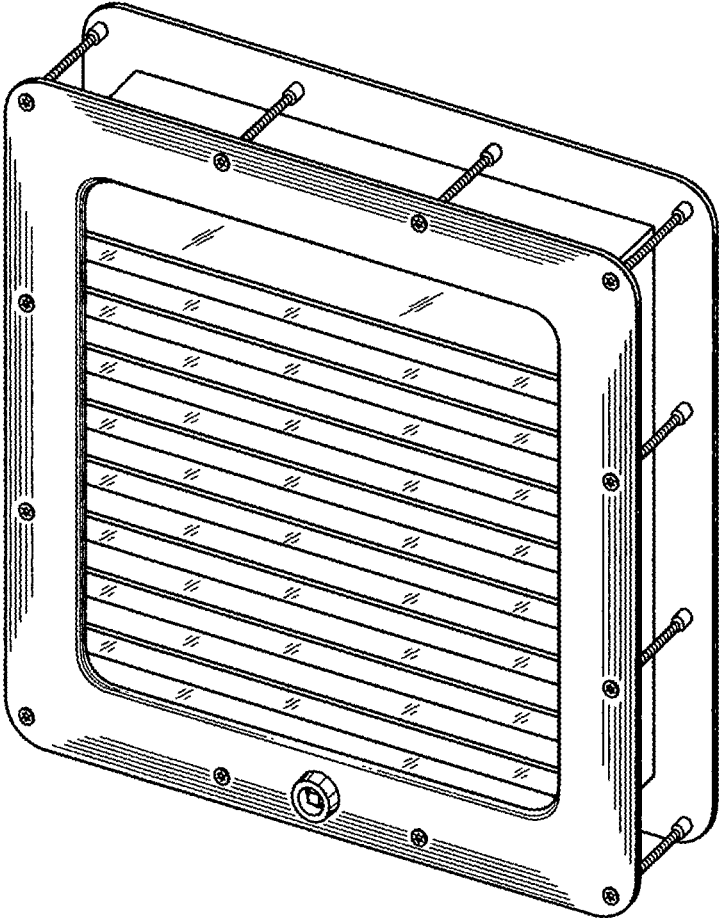


Fig. 1

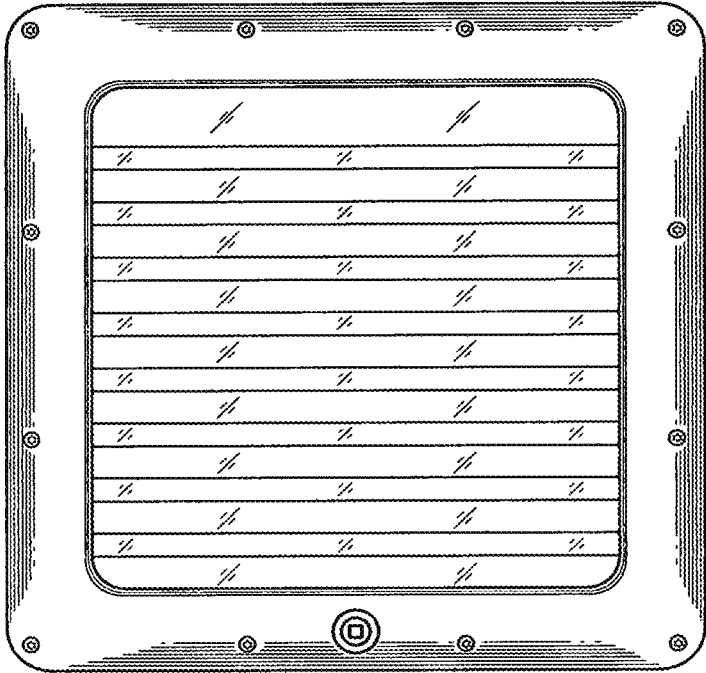


Fig. 2

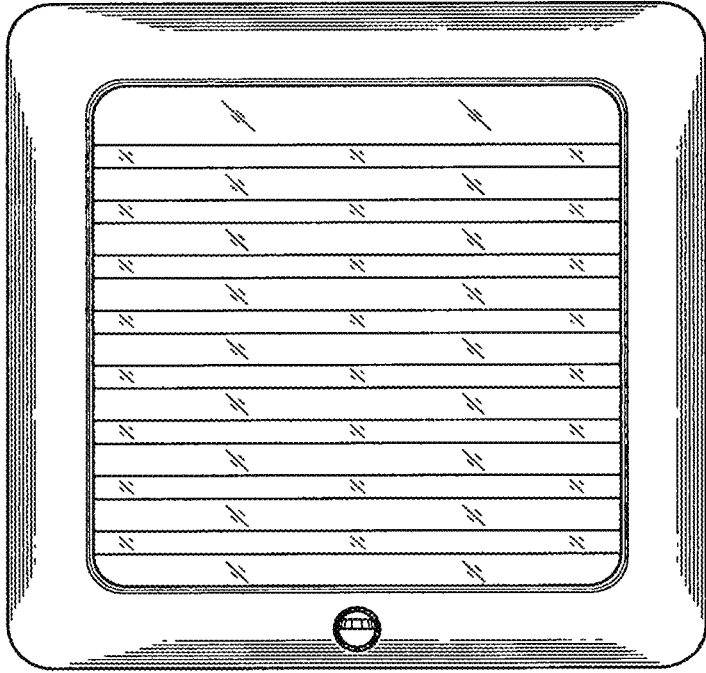


Fig. 3

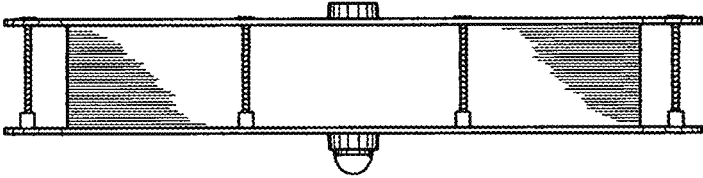


Fig. 4

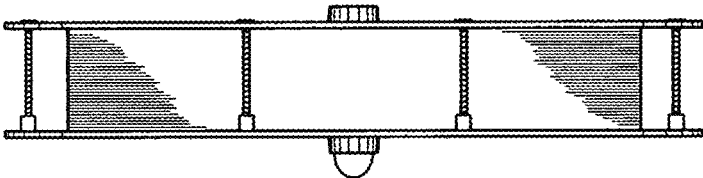


Fig. 5

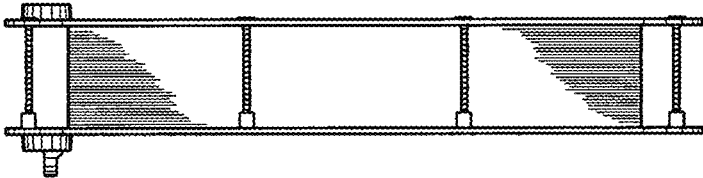


Fig. 6

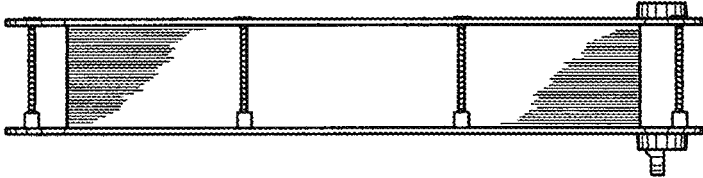


Fig. 7

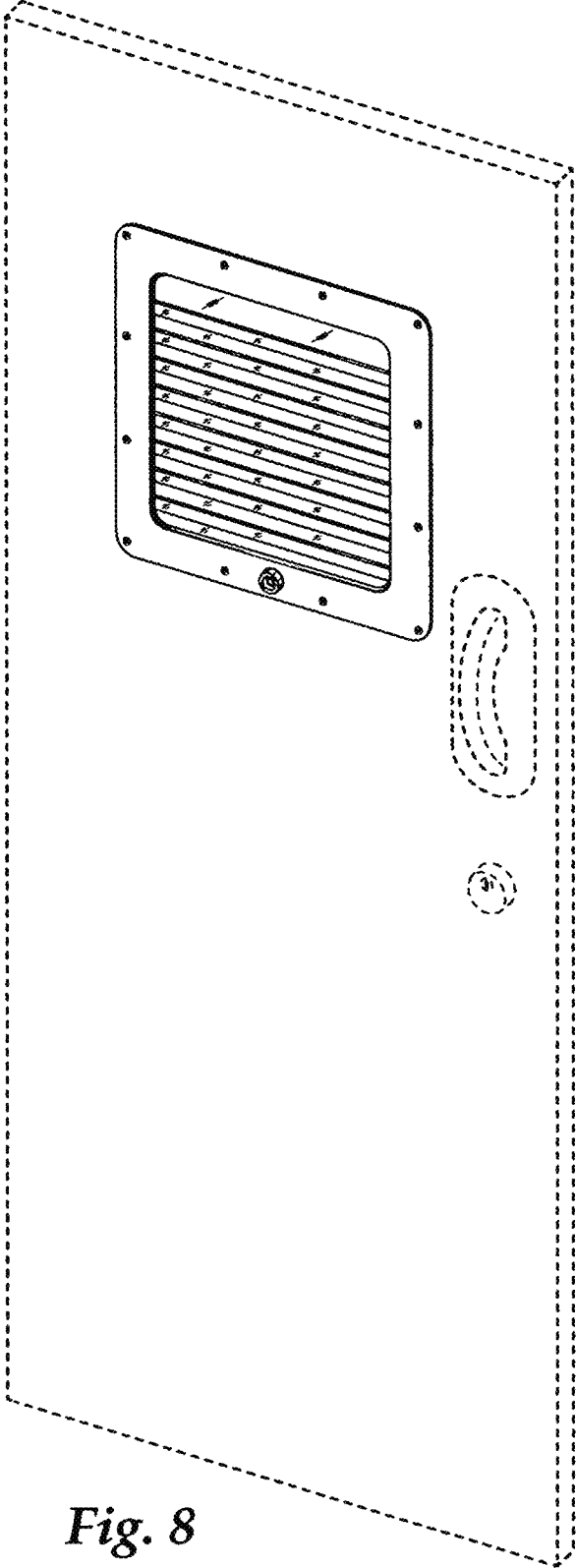


Fig. 8