

191,446

WHEEL COVER

Robert A. Cadaret, Royal Oak, Mich., assignor to General Motors Corporation, Detroit, Mich., a corporation of Delaware

Filed July 21, 1960, Ser. No. 61,476

Term of patent 7 years

(Cl. D14—30)

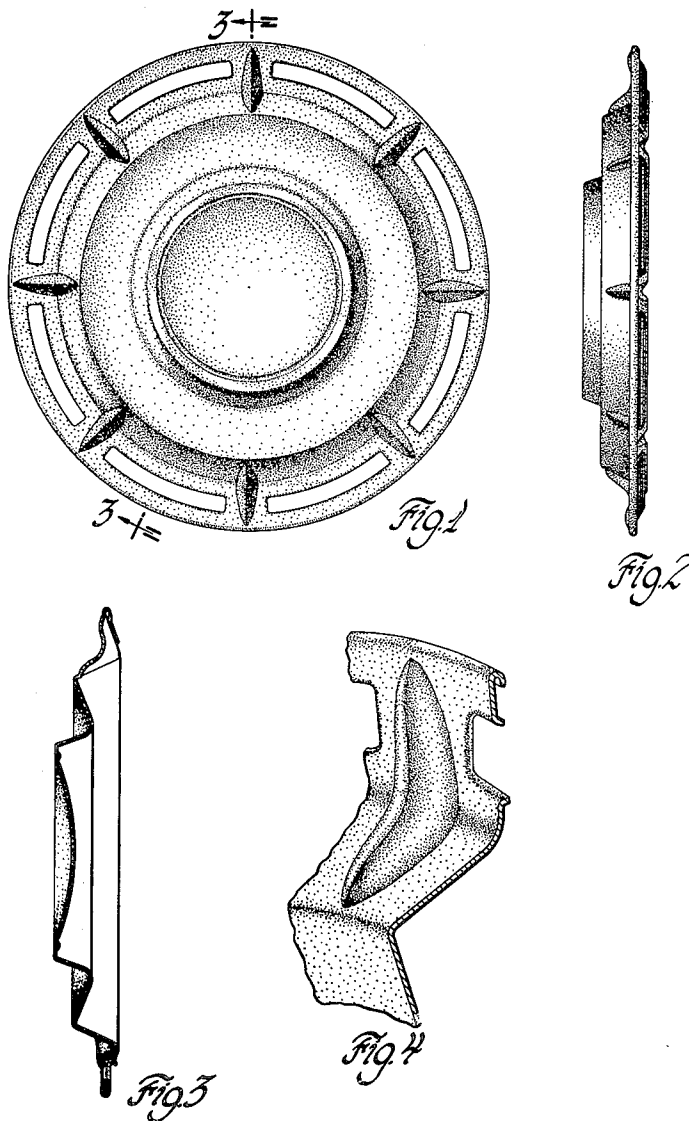


FIGURE 1 is a front elevational view of a wheel cover showing my new design;

FIGURE 2 is a side elevational view;

FIGURE 3 is a sectional view taken generally along the plane indicated by line 3—3 of FIGURE 1; and

FIGURE 4 is an enlarged perspective view of a portion of FIGURE 1.

I claim:

The ornamental design for a wheel cover, substantially as shown.

References Cited in the file of this patent

UNITED STATES PATENTS

D. 180,256 Walter May 7, 1957
D. 184,972 Wagner Apr. 21, 1959

OTHER REFERENCES

Chevrolet Corvette Brochure, © 1956, page 1, wheel cover.