



US00D450535B1

(12) **United States Design Patent** (10) **Patent No.:** **US D450,535 S**
McDonough et al. (45) **Date of Patent:** **** Nov. 20, 2001**

(54) **TRAINER CUP**

OTHER PUBLICATIONS

(76) Inventors: **Justin E. McDonough**, 12 Ballentine St., Kenil, NJ (US) 07847; **Steve Ardigides**, 327 Michael Rd., Yardley, PA (US) 19067

Excerpt from publication by Herrmann, Bernd, Institute of Anthropology, Gottingen University, May 1990.

Excerpt from *The Bounty BabyCare Guide*, SM Bounty Services Ltd, 1991.

(**) Term: **14 Years**

Excerpt from *Baby Care Products 1992*, showing Púr products.

Press Release by Maws of Hertford, England, Apr. 1992.

(21) Appl. No.: **29/141,855**

Perfect Ideas from Tommee Tippee, *Chemist & Druggist*, Aug. 15, 1992, p. 264.

(22) Filed: **May 14, 2001**

New Visions *Mealtimes 1998-1999 Catalog*, Faber, Virginia.

Púr Catalog, undated.

Related U.S. Application Data

(62) Division of application No. 29/116,372, filed on Dec. 30, 1999.

Primary Examiner—M. N. Pandozzi

(51) **LOC (7) Cl.** **07-01**

(57) **CLAIM**

(52) **U.S. Cl.** **D7/510; D7/511; D7/532**

The ornamental design for trainer cup, as shown and described.

(58) **Field of Search** D7/509, 900, 510, D7/511, 532, 536, 516, 515, 514, 523, 608, 538, 606, 300.1, 507, 392, 392.1; 206/520; D24/197; 220/714, 254, 708; 215/11.1

DESCRIPTION

FIG. 1 is a perspective view of a first embodiment of a trainer cup showing our new design;

FIG. 2 is a front elevational view of the first embodiment;

FIG. 3 is a rear elevational view of the first embodiment;

FIG. 4 is a right side elevational view of the first embodiment;

FIG. 5 is a left side elevational view of the first embodiment;

FIG. 6 is a top plan view of the first embodiment;

FIG. 7 is a bottom plan view of the first embodiment;

FIG. 8 is a perspective view of a second embodiment of a trainer cup, having a different cap from the first embodiment;

FIG. 9 is a front elevational view of the second embodiment;

FIG. 10 is a rear elevational view of the second embodiment;

FIG. 11 is a right side elevational view of the second embodiment;

FIG. 12 is a left side elevational view of the second embodiment;

FIG. 13 is a top plan view of the second embodiment; and,

FIG. 14 is a bottom plan view of the second embodiment.

(56) **References Cited**

U.S. PATENT DOCUMENTS

4,138 8/1845 Pratt .
Re. 30,805 11/1981 Rhoads .
D. 239,358 3/1976 Kjellquist .
D. 240,287 6/1976 Sepaneva et al. .
D. 247,840 5/1978 Dixon .

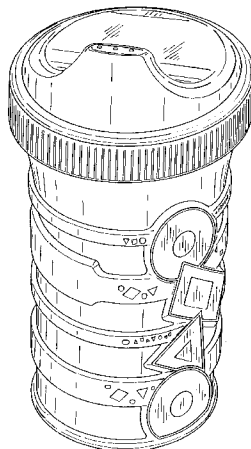
(List continued on next page.)

FOREIGN PATENT DOCUMENTS

88059 1/1984 (AU) .
4068785 10/1985 (AU) .
97711 8/1987 (AU) .
595296 9/1987 (AU) .
98916 12/1987 (AU) .

(List continued on next page.)

1 Claim, 12 Drawing Sheets



U.S. PATENT DOCUMENTS

D. 346,932	*	5/1994	Cautereels et al.	D7/507	4,728,006	3/1988	Drobish et al. .
D. 350,875		9/1994	VanValkenburg et al. .		4,749,108	6/1988	Dornsbusch et al. .
D. 362,156	*	9/1995	Goto et al.	D7/511	4,768,674	9/1988	Prescott .
D. 371,936	*	7/1996	Goto et al.	D7/523	4,782,975	11/1988	Coy .
D. 374,147	*	10/1996	Lillelund et al.	D7/300.1	4,909,416	3/1990	Evezich .
D. 387,619		12/1997	Gross et al. .		4,946,062	8/1990	Coy .
D. 395,202	*	6/1998	Ochs, Sr.	D7/606	5,005,737	4/1991	Rohr .
D. 398,813		9/1998	Franzese .		5,033,655	7/1991	Brown .
D. 401,508	*	11/1998	Brown, III	D9/538	5,035,340	7/1991	Timmons .
D. 401,808	*	12/1998	Grivsky	D7/536	5,040,756	8/1991	Via Cava .
D. 404,613	*	1/1999	Hatsumoto et al.	D7/510	5,071,017	12/1991	Stull .
D. 407,269	*	3/1999	Fletcher	D7/510	5,079,013	1/1992	Belanger .
D. 408,220	*	4/1999	Chomik	D7/510	5,096,082	3/1992	Hoefler .
D. 408,689	*	4/1999	Kato	D7/608	5,117,999	6/1992	Canzano et al. .
D. 410,174	*	5/1999	Sheu	D7/510	5,147,066	9/1992	Snider .
D. 412,085		7/1999	Roush et al. .		5,186,347	2/1993	Freeman et al. .
D. 413,067		8/1999	Haley .		5,213,236	5/1993	Brown et al. .
D. 414,655	*	10/1999	Schwarz	D7/514	5,222,623	6/1993	Eger et al. .
D. 415,429		10/1999	Rausch .		5,261,459	11/1993	Atkinson et al. .
D. 415,654		10/1999	Forrer .		5,339,995	8/1994	Brown et al. .
D. 416,757	*	11/1999	Ginuntoli	D7/523	5,363,983	11/1994	Proshan .
D. 417,590	*	12/1999	Kato	D7/510	5,370,258	12/1994	Fair .
D. 417,591	*	12/1999	Roehrig	D7/510	5,377,877	1/1995	Brown et al. .
D. 417,821	*	12/1999	J. Cautereels	D7/532	5,402,836	4/1995	Hasper et al. .
D. 421,877	*	3/2000	La Torre et al.	D7/510	5,409,144	4/1995	Brown .
D. 421,878	*	3/2000	Roehrig	D7/510	5,439,143	8/1995	Brown et al. .
D. 422,179	*	4/2000	Stephenson	D7/510	5,531,363	7/1996	Gross et al. .
D. 427,017	*	6/2000	Reimer	D7/516	5,542,670	8/1996	Morano .
D. 428,306	*	7/2000	Lee	D7/510	5,626,262	5/1997	Fitten et al. .
D. 431,159		9/2000	Otake .		5,632,420	5/1997	Lohrman et al. .
D. 431,160		9/2000	Stadtler, II .		5,655,687	8/1997	Fitten et al. .
D. 434,273		11/2000	Johansen et al. .		5,676,289	10/1997	Gross et al. .
1,206,661		11/1916	Booth .		5,680,969	10/1997	Gross .
1,825,553		9/1931	Smith .		5,706,973	1/1998	Robbins, III et al. .
2,175,052		10/1939	Sull et al. .		5,758,790	6/1998	Ewing, Jr. .
2,223,179		11/1940	Lougheed .		5,833,115	11/1998	Eiten .
2,328,382		8/1943	Langdon .		5,839,581	11/1998	Vagedes .
2,758,755		8/1956	Schafler .		5,839,614	11/1998	Brown .
2,816,548		11/1957	Tupper .		5,839,626	11/1998	Gross et al. .
3,139,064		6/1964	Harle .		5,862,927	1/1999	Tebeau .
3,360,169		12/1967	Susuki et al. .		5,871,118	2/1999	Franzese .
3,438,527		4/1969	Gamblin, Jr. .		5,890,619	4/1999	Belanger .
3,504,699		4/1970	Grisé .		5,890,620	4/1999	Belcastro .
3,517,682		6/1970	Smith .		5,890,621	4/1999	Bachman et al. .
3,635,380		1/1972	Fitzgerald .		5,893,472	4/1999	Forrer .
3,650,271		3/1972	Pelli .		5,894,952	4/1999	Mendenhall et al. .
3,674,183		7/1972	Venable et al. .		5,897,033	4/1999	Okawa et al. .
3,718,140		2/1973	Yamauchi .		5,904,275	5/1999	Suffa .
3,773,233		11/1973	Souza .		5,924,605	7/1999	Baudin et al. .
3,825,157		7/1974	Herzig .		5,927,566	7/1999	Mueller .
3,860,162		1/1975	Schutz .		5,927,567	7/1999	Fillmore .
3,905,512		9/1975	Albert et al. .		5,934,512	8/1999	Lampe et al. .
3,915,331		10/1975	Chenault .		5,934,514	8/1999	Lampe et al. .
3,924,767		12/1975	Arrandale et al. .		5,938,086	8/1999	Gross .
4,002,168		1/1977	Petterson .		5,944,234	8/1999	Lampe et al. .
4,133,457		1/1979	Klassen .		5,950,857	9/1999	Rosen .
4,184,604		1/1980	Amberg et al. .		5,954,237	9/1999	Lampe et al. .
4,186,842		2/1980	Albert .		5,971,232	10/1999	Rohr et al. .
4,245,752		1/1981	Prueher .		5,975,354	11/1999	Goncalves .
4,350,260		9/1982	Prueher .		5,988,425	11/1999	Yehl et al. .
4,412,629		11/1983	Dart et al. .		6,050,445	4/2000	Manganiello .
4,441,623		4/1984	Antoniak .				
4,450,977		5/1984	Colburn et al. .				
4,463,859		8/1984	Greene .		99599	2/1988	(AU) .
4,524,805		6/1985	Hoffman .		647010	8/1990	(AU) .
4,600,111		7/1986	Brown .		655291	12/1992	(AU) .
4,616,768		10/1986	Flier .		118128	9/1993	(AU) .
4,660,747		4/1987	Borg et al. .		118493	10/1993	(AU) .
4,693,410		9/1987	Selz .		118899	11/1993	(AU) .
4,723,668		2/1988	Cheng .		684061	1/1994	(AU) .
					7943694	5/1995	(AU) .

FOREIGN PATENT DOCUMENTS

US D450,535 S

Page 3

715393	2/1997 (AU) .	2266045B	10/1993 (GB) .
6881196	3/1997 (AU) .	2279130A	12/1994 (GB) .
9113098	3/1999 (AU) .	2285621A	7/1995 (GB) .
1369599	5/1999 (AU) .	2304545A	3/1997 (GB) .
2291399	8/1999 (AU) .	2304545B	3/1997 (GB) .
2586099	8/1999 (AU) .	2311061A	9/1997 (GB) .
138675	10/1999 (AU) .	2314497A	1/1998 (GB) .
138676	10/1999 (AU) .	2314497B	1/1998 (GB) .
1296600	6/2000 (AU) .	2317608A	4/1998 (GB) .
141078	7/2000 (AU) .	699693	2/1987 (JP) .
141080	7/2000 (AU) .	699694	2/1987 (JP) .
2454500	9/2000 (AU) .	6996931	3/1987 (JP) .
3424600	9/2000 (AU) .	738127	7/1988 (JP) .
2128875	12/1972 (DE) .	775839	11/1989 (JP) .
2538007	3/1976 (DE) .	880081	10/1993 (JP) .
29714169	11/1997 (DE) .	900603	6/1994 (JP) .
0152494	8/1985 (EP) .	946622	2/1996 (JP) .
0160336	11/1985 (EP) .	946624	2/1996 (JP) .
0278125	8/1988 (EP) .	967767	11/1996 (JP) .
0326743	8/1989 (EP) .	1025434	11/1998 (JP) .
0382631	8/1990 (EP) .	1056829	12/1999 (JP) .
0384394	8/1990 (EP) .	1056837	12/1999 (JP) .
0442379	8/1991 (EP) .	1083150	8/2000 (JP) .
0495435	7/1992 (EP) .	1107210	4/2001 (JP) .
0495440	7/1992 (EP) .	8401143	3/1984 (WO) .
0545678	6/1993 (EP) .	8504086	9/1985 (WO) .
0555623	8/1993 (EP) .	9319718	10/1993 (WO) .
0591601	4/1994 (EP) .	9400363	1/1994 (WO) .
0634922	1/1995 (EP) .	9404023	3/1994 (WO) .
0723413	7/1996 (EP) .	9405552	3/1994 (WO) .
0838184	4/1998 (EP) .	9510965	4/1995 (WO) .
1364891	5/1964 (FR) .	9513220	5/1995 (WO) .
2624102	6/1989 (FR) .	9521097	8/1995 (WO) .
1253398	11/1971 (GB) .	9521098	8/1995 (WO) .
2015350	9/1979 (GB) .	9708979	3/1997 (WO) .
2029379A	3/1980 (GB) .	9817157	4/1998 (WO) .
2131301A	6/1984 (GB) .	9818427	5/1998 (WO) .
2169210A	7/1986 (GB) .	9820832	5/1998 (WO) .
2169210B	7/1986 (GB) .	9908578	2/1999 (WO) .
2183225A	6/1987 (GB) .	9939617	8/1999 (WO) .
2190073B	11/1987 (GB) .		
2226014A	6/1990 (GB) .		
2227159A	7/1990 (GB) .		

* cited by examiner

FIG. 1

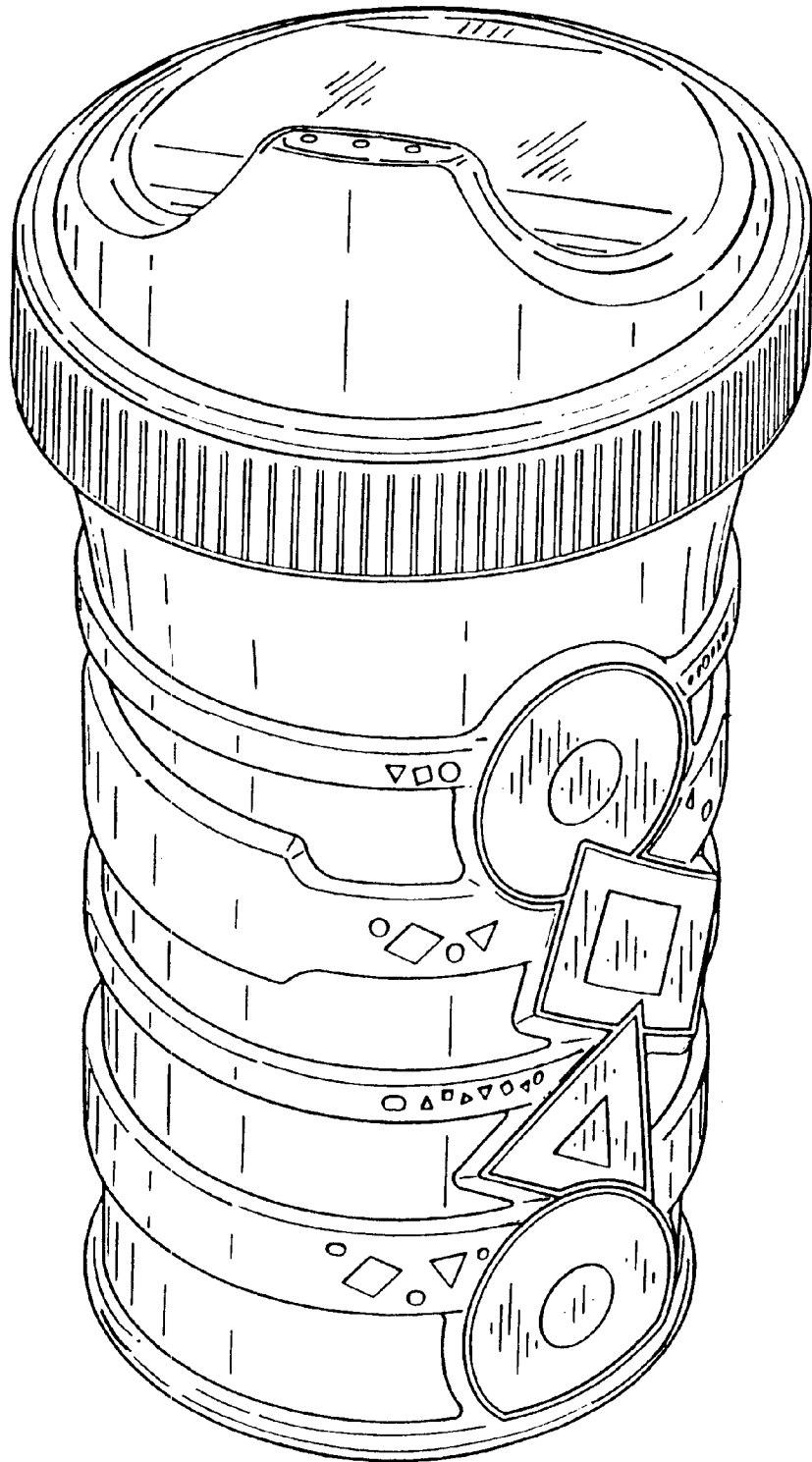


FIG. 2

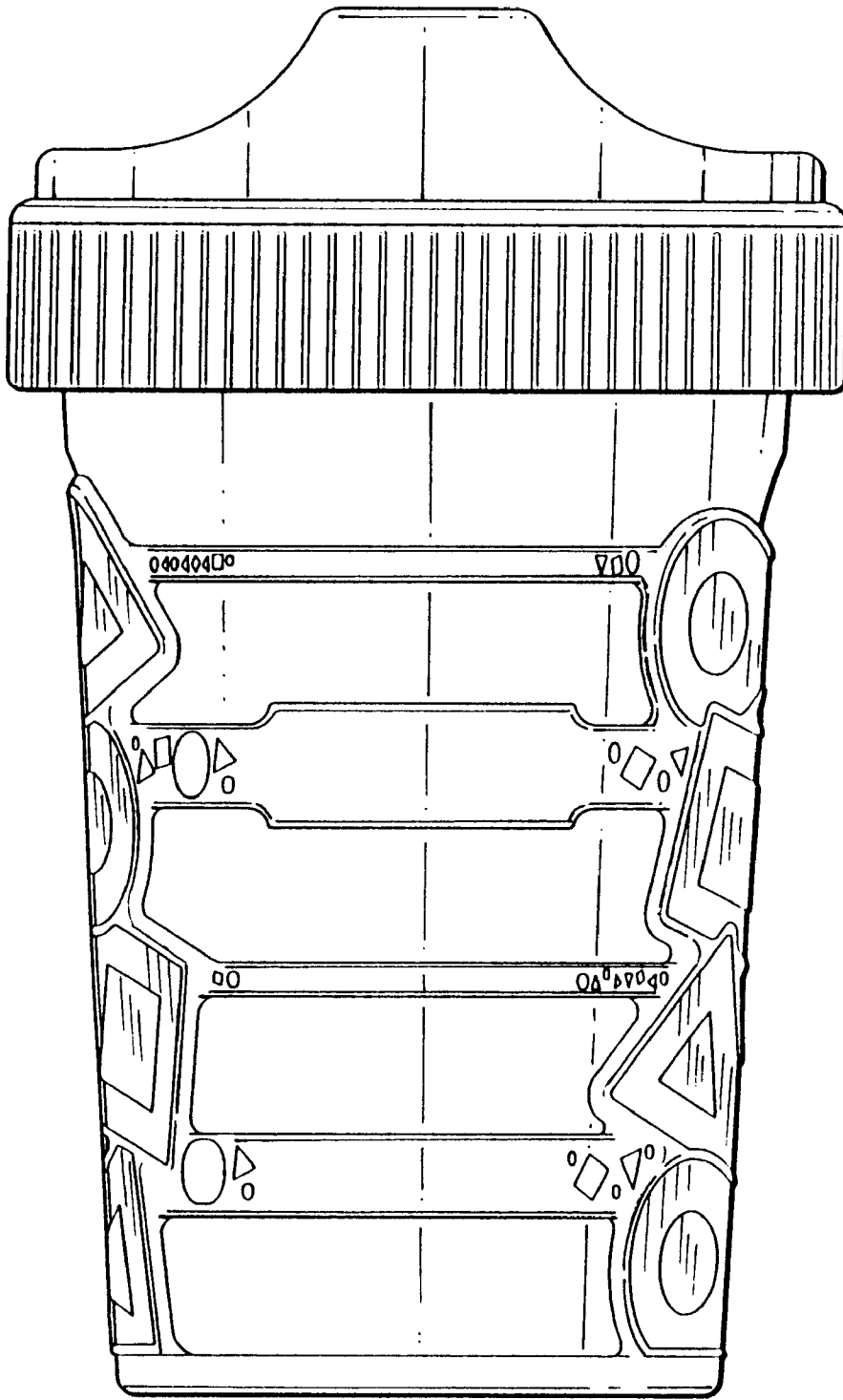


FIG. 3

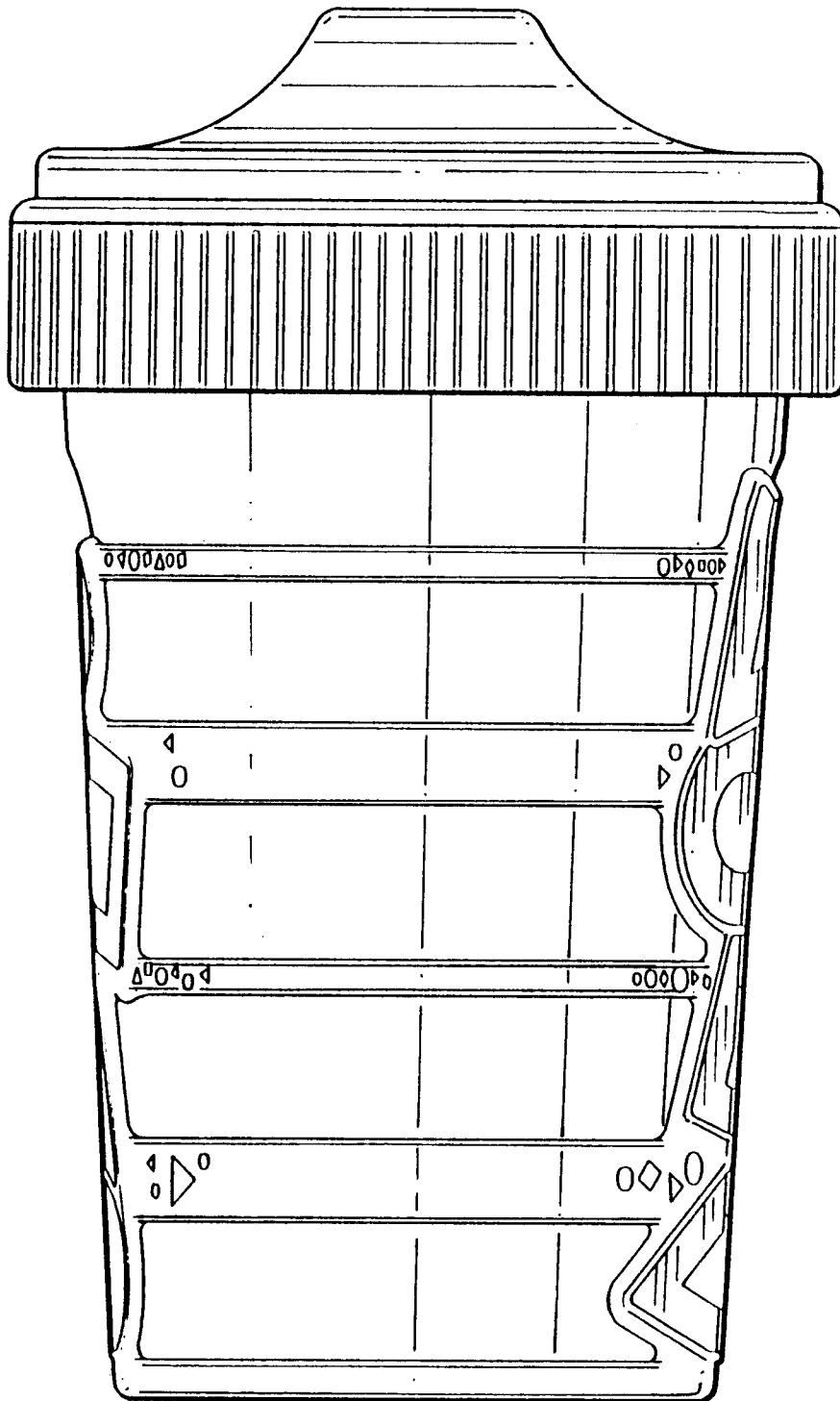


FIG. 4

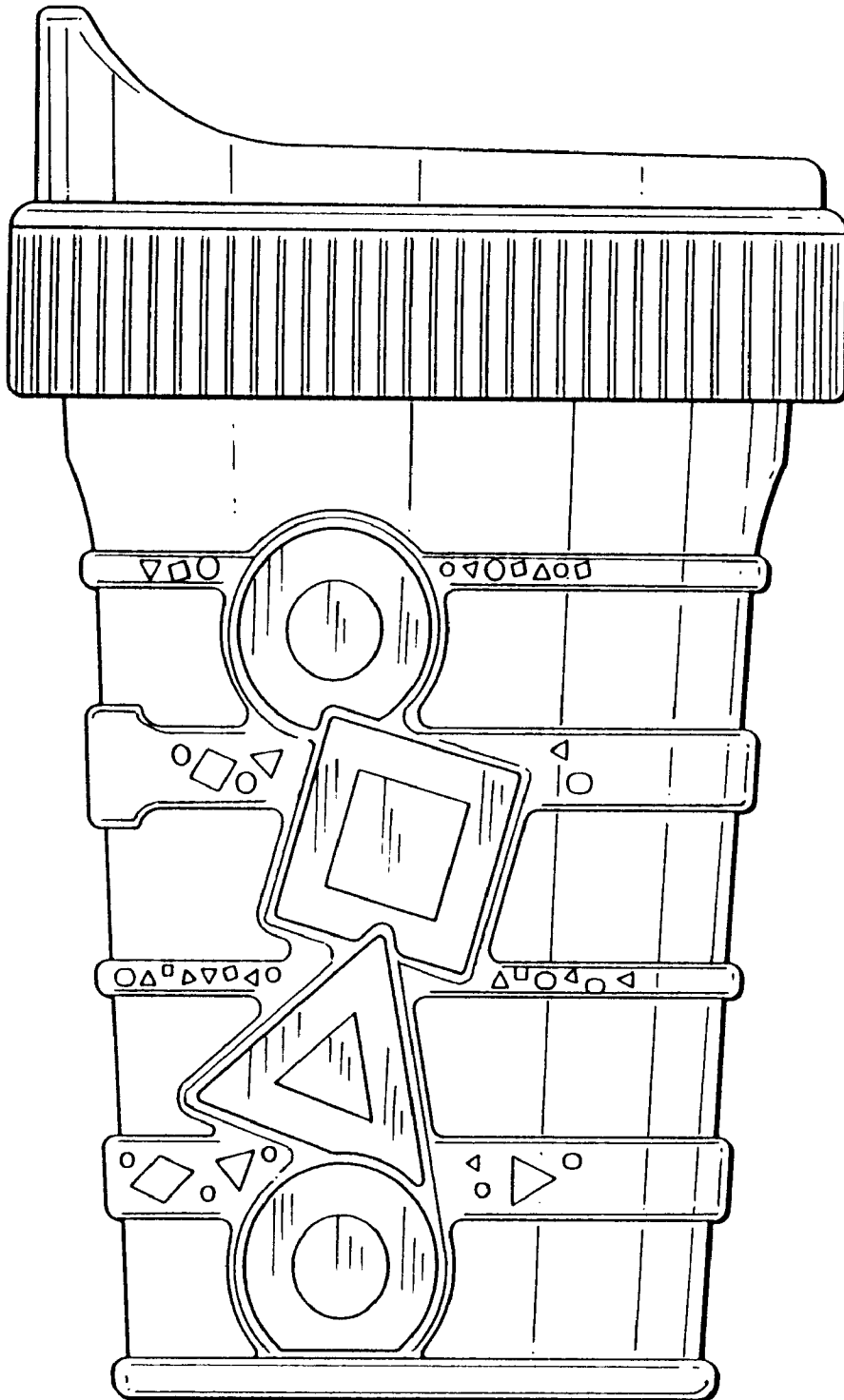


FIG. 5

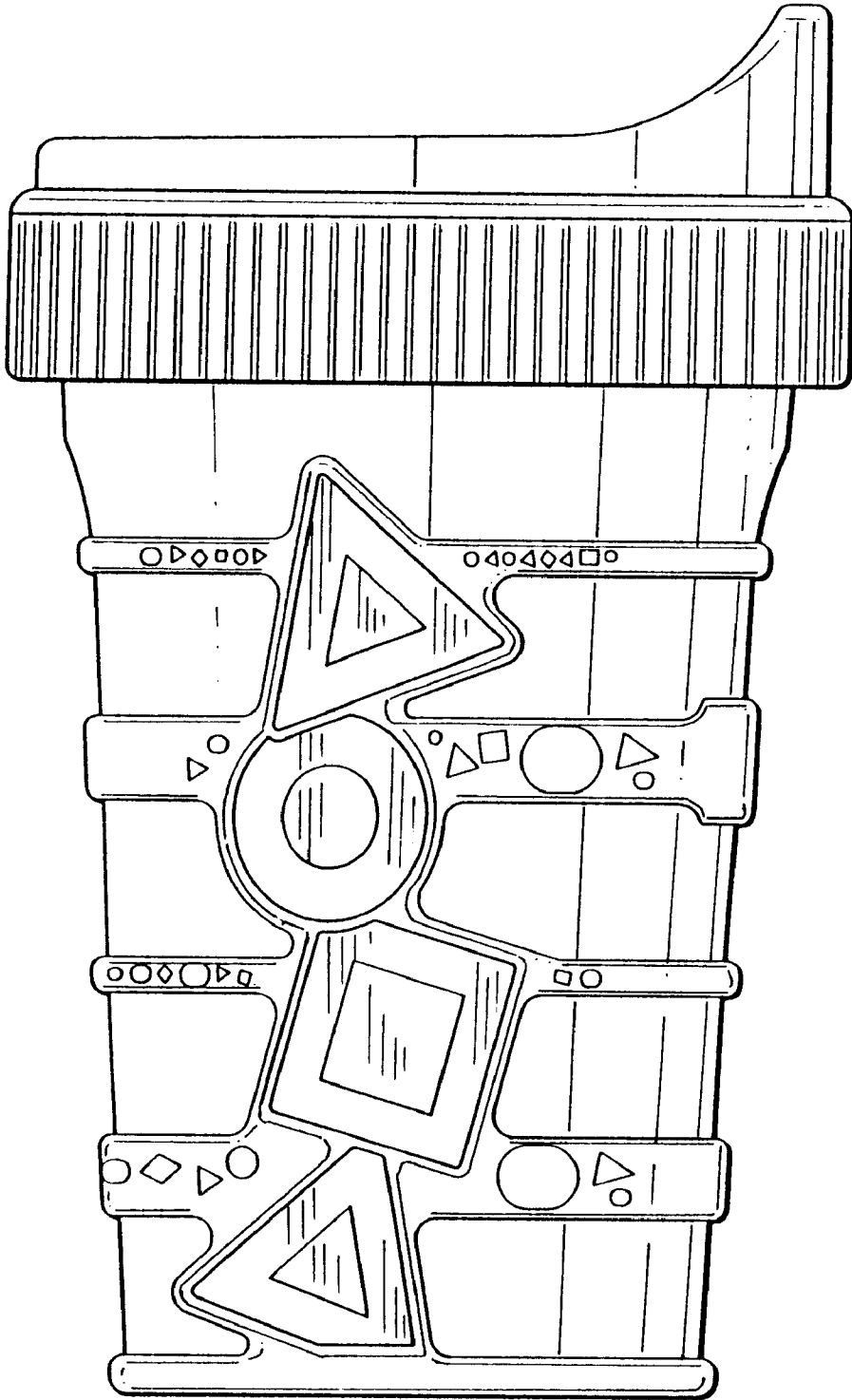


FIG. 6

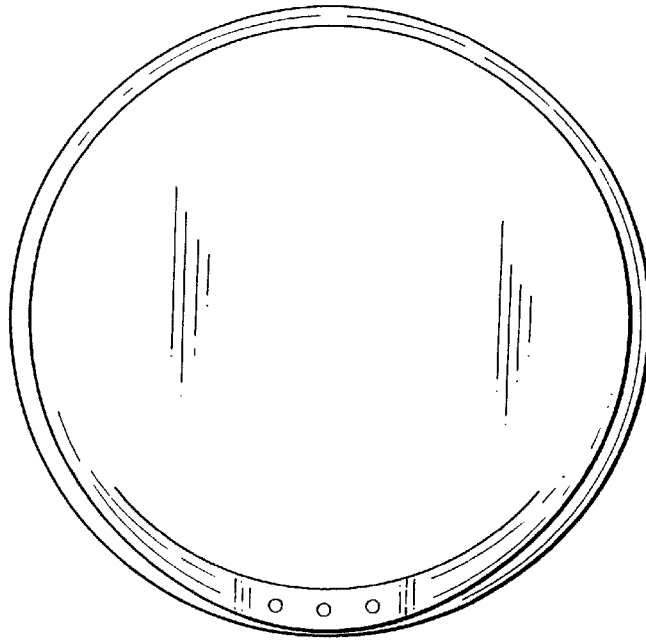


FIG. 7

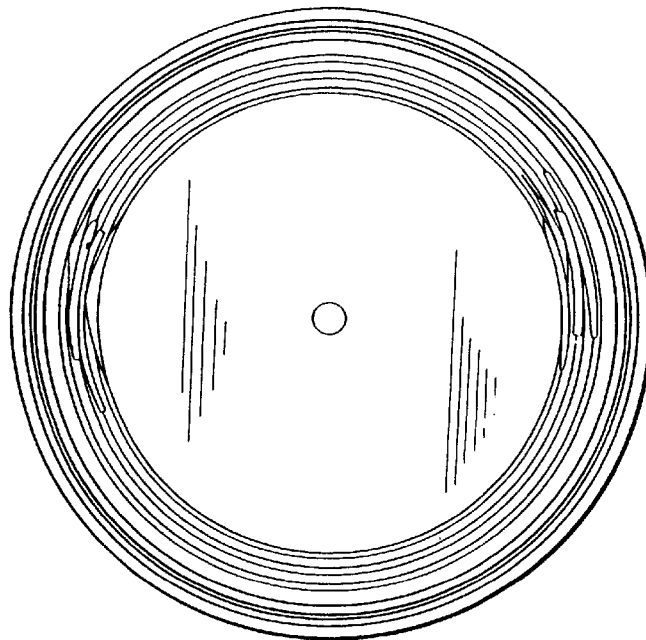


FIG. 8

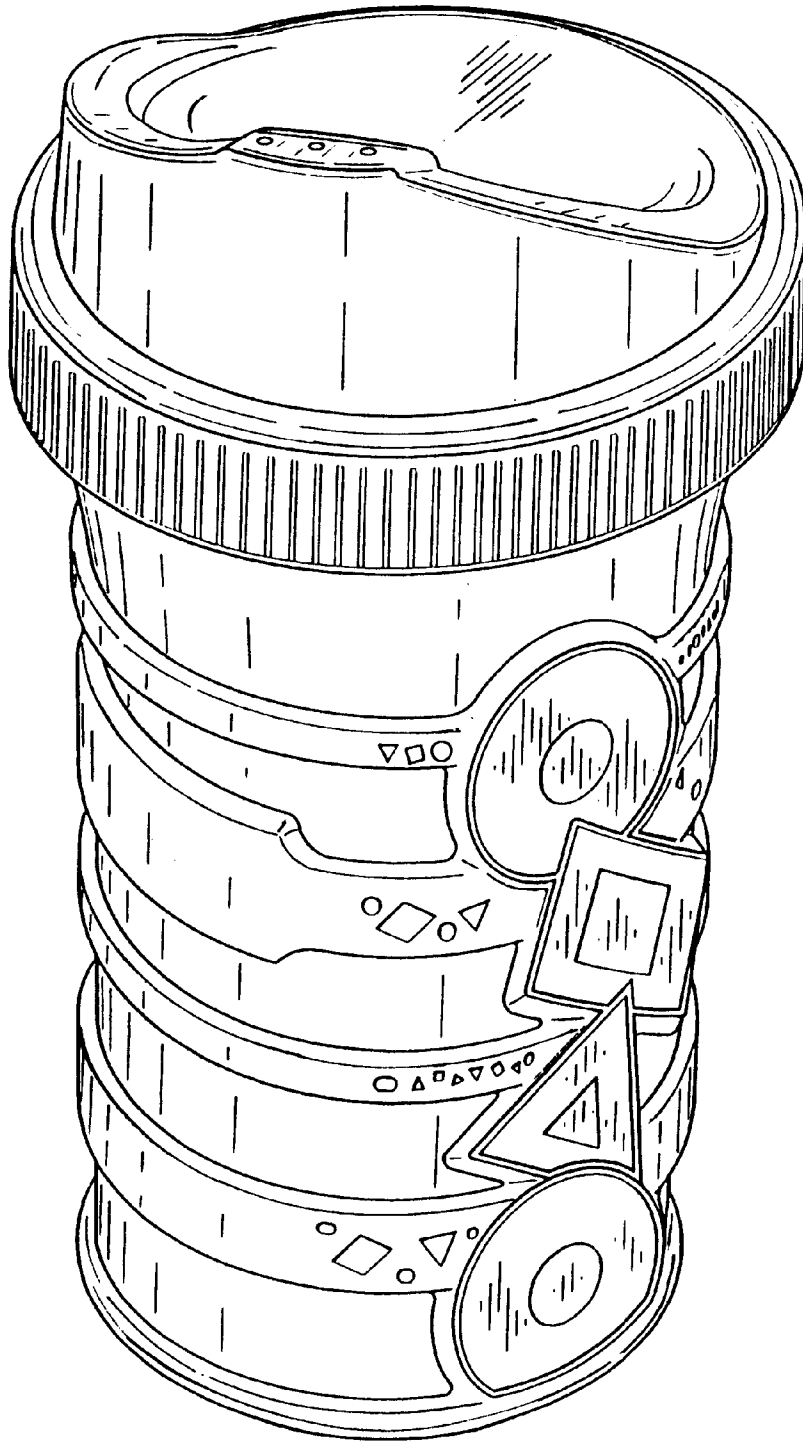


FIG. 9

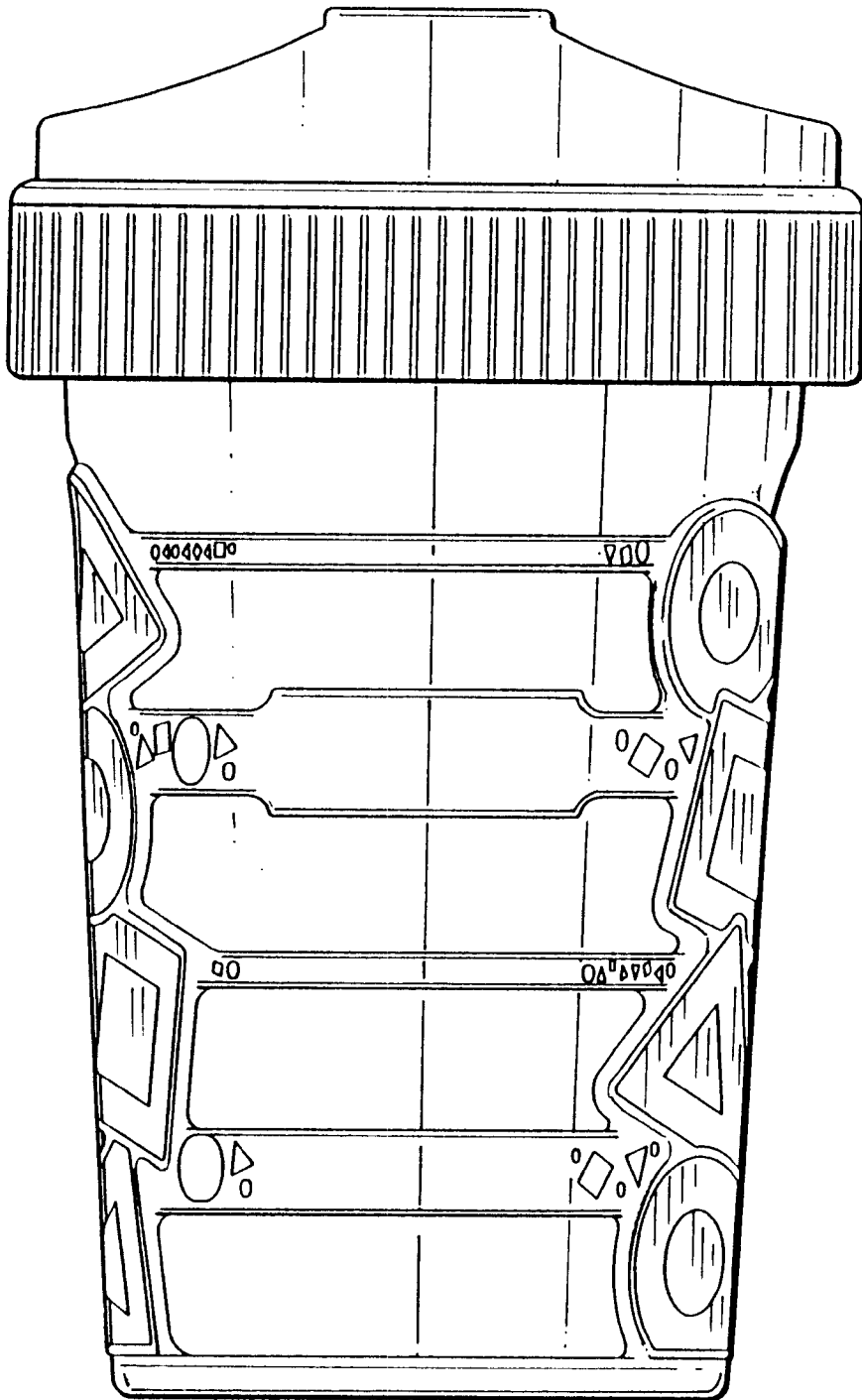


FIG. 10

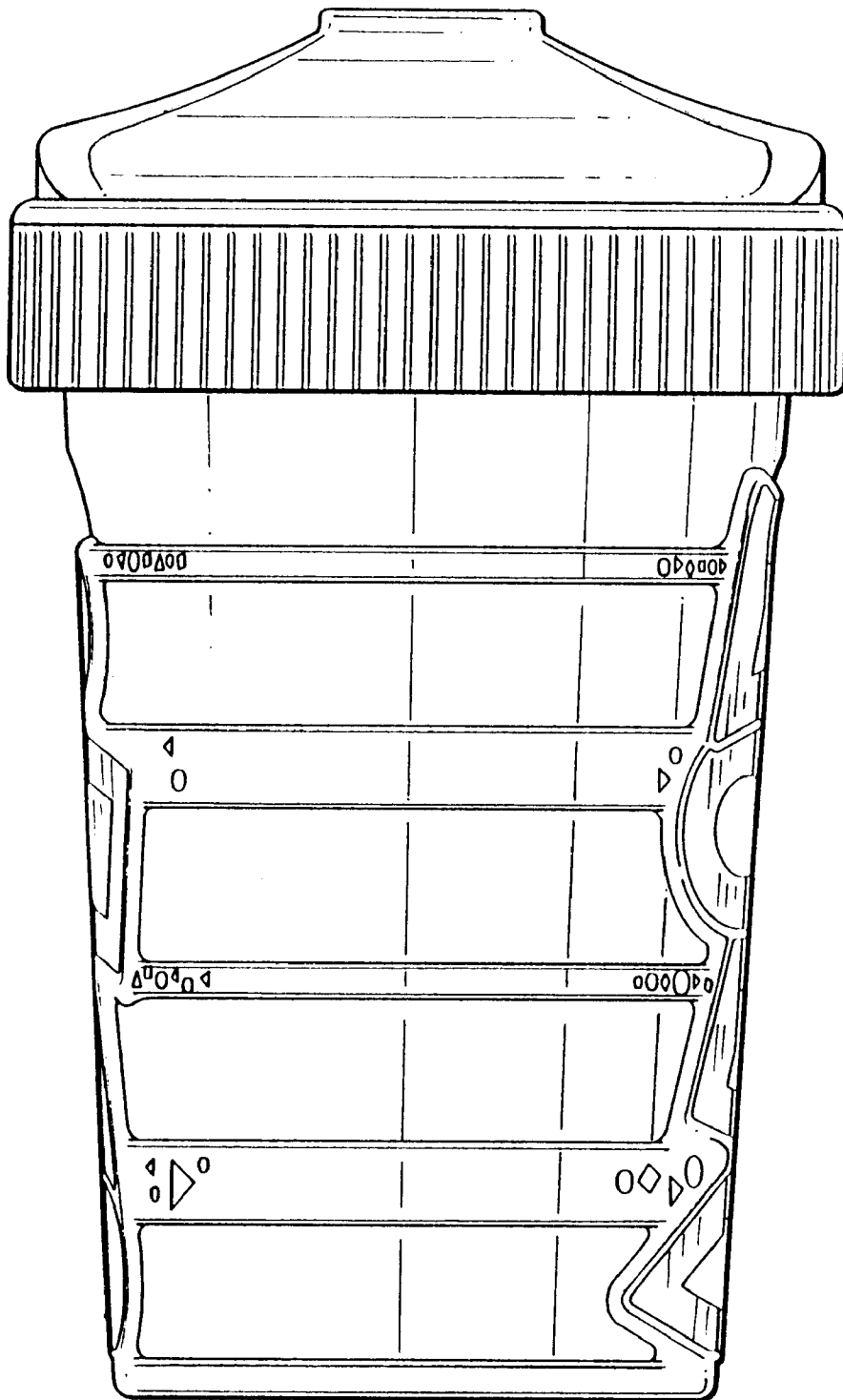


FIG. 11

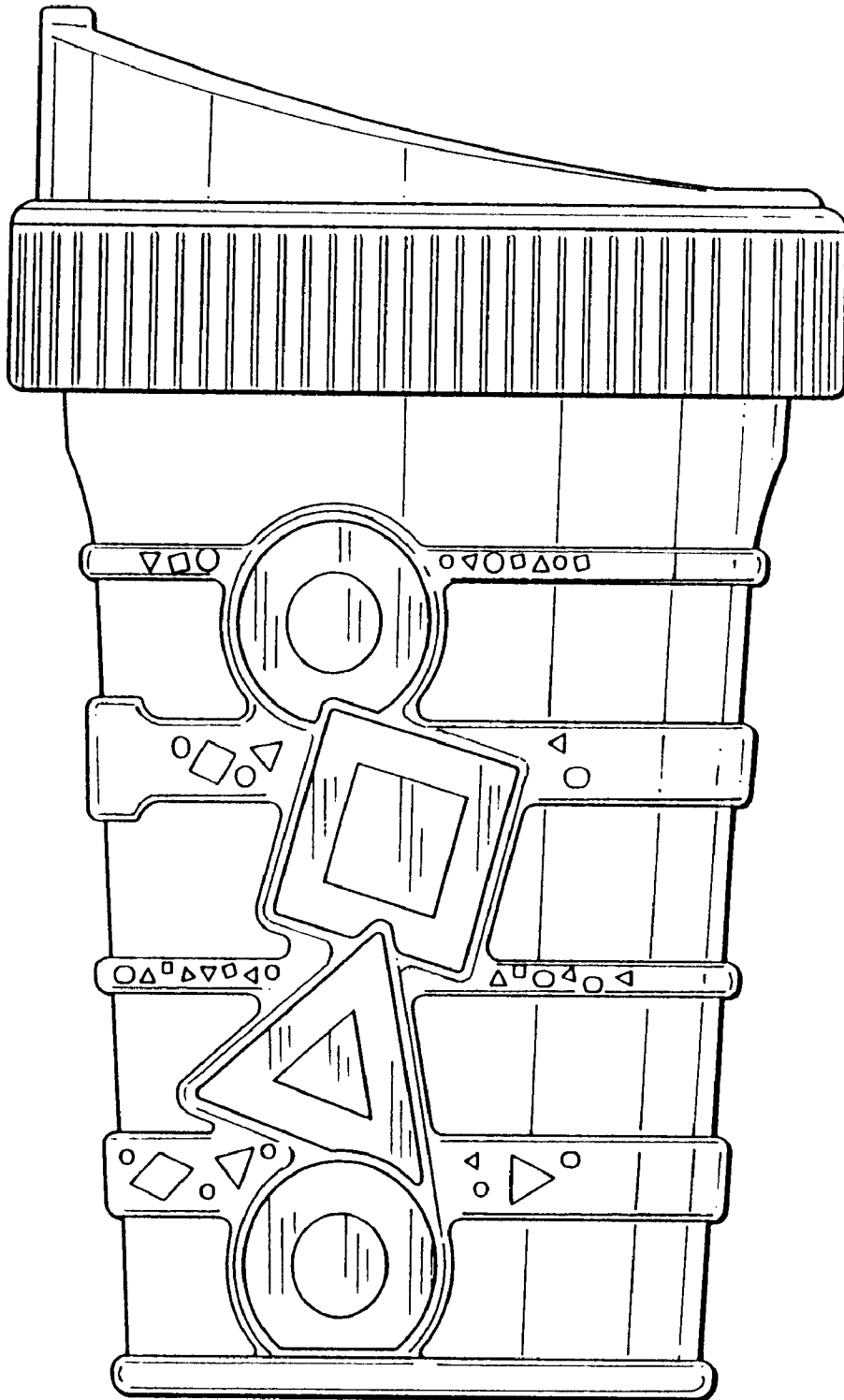


FIG. 12

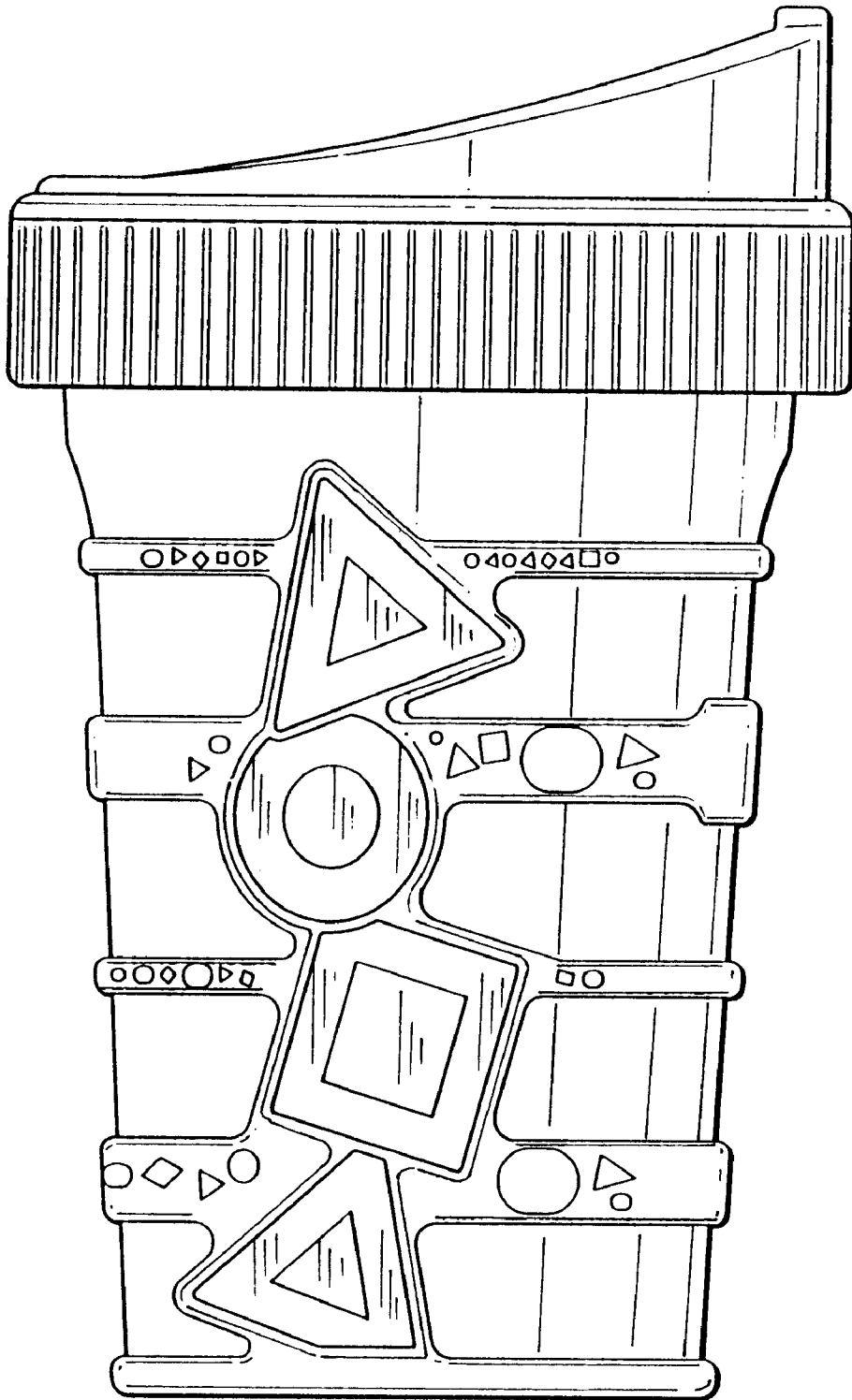


FIG. 13

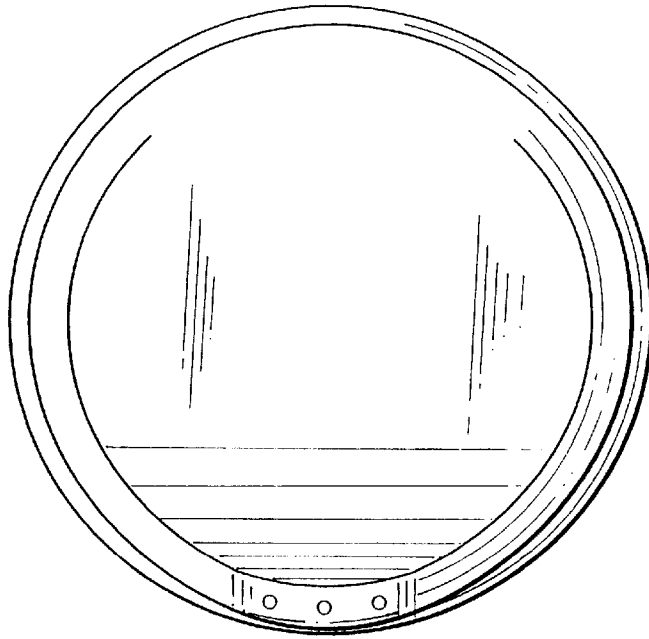


FIG. 14

