



US00D790741S

(12) **United States Design Patent** (10) **Patent No.:** **US D790,741 S**
Svensson et al. (45) **Date of Patent:** **** Jun. 27, 2017**

(54) **VEHICLE HEADLAMP**

D549,857 S * 8/2007 Lin D26/28
D561,358 S * 2/2008 Tachibana D26/28
D681,239 S 4/2013 Hamilton et al.

(71) Applicant: **Ford Global Technologies, LLC,**
Dearborn, MI (US)

FOREIGN PATENT DOCUMENTS

(72) Inventors: **Christopher Svensson,** Chelmsford (GB); **Craig S. Metros,** Bloomfield, MI (US); **Darrell Paul Behmer,** Novi, MI (US); **Eric Stoddard,** Birmingham, MI (US)

CN 201130464947.5 7/2012

OTHER PUBLICATIONS

(73) Assignee: **Ford Global Technologies, LLC,**
Dearborn, MI (US)

Josh Sadlier, 2017 Ford Fusion Teased in New Photos, <http://www.autotrader.com/car-news/2017-ford-fusion-teased-in-new-photos-238624> Apr. 2015.
Ciprian Florea, 2017 Ford Fusion St, <http://www.topspeed.com/cars/ford/2017-ford-fusion-st-ar171128.html> Sep. 6, 2015.
Michael Gauthier, 2017 Ford Fusion Facelift Spied in Michigan, <http://www.motor1.com/spy/59710/2017-ford-fusion-facelift-spied-in-michigan> Nov. 19, 2015.

(**) Term: **15 Years**

* cited by examiner

(21) Appl. No.: **29/549,445**

Primary Examiner — Marcus Jackson
(74) *Attorney, Agent, or Firm* — Damian Porcari

(22) Filed: **Dec. 22, 2015**

(51) **LOC (10) Cl.** **26-06**

(52) **U.S. Cl.**

USPC **D26/28**

(58) **Field of Classification Search**

USPC D26/28–36; 362/80–83, 267–269,
362/459–468, 475–478, 485–487
CPC F21S 48/00; F21S 48/10; F21S 48/115;
F21S 48/225; F21S 48/1233; F21S
48/1266; F21S 48/1388; F21S 48/2268;
F21V 21/04

See application file for complete search history.

(57) **CLAIM**

The ornamental design for a vehicle headlamp, as shown and described.

DESCRIPTION

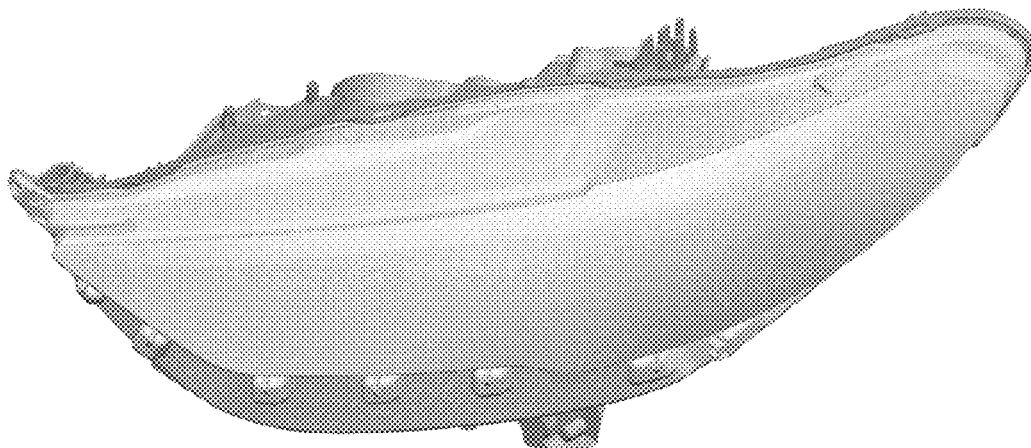
FIG. 1 is a top front perspective view of the first embodiment of a vehicle headlamp, showing our new design; FIG. 2 is a bottom front perspective view thereof; FIG. 3 is a top rear perspective view thereof; FIG. 4 is a front elevational view thereof; FIG. 5 is a rear elevational view thereof; FIG. 6 is a left side elevational view thereof; FIG. 7 is a right side elevational view thereof; FIG. 8 is a top plan view thereof; and, FIG. 9 is a bottom plan view thereof. The second embodiment of the vehicle headlamp is a mirror image of the first embodiment disclosed in FIGS. 1 through 9 and is not shown.

(56) **References Cited**

U.S. PATENT DOCUMENTS

D528,681 S * 9/2006 Nakahara D26/28
D528,685 S * 9/2006 Yoshida D26/28
D544,114 S * 6/2007 Ohta D26/28
D544,614 S * 6/2007 Markefka D26/28

1 Claim, 9 Drawing Sheets



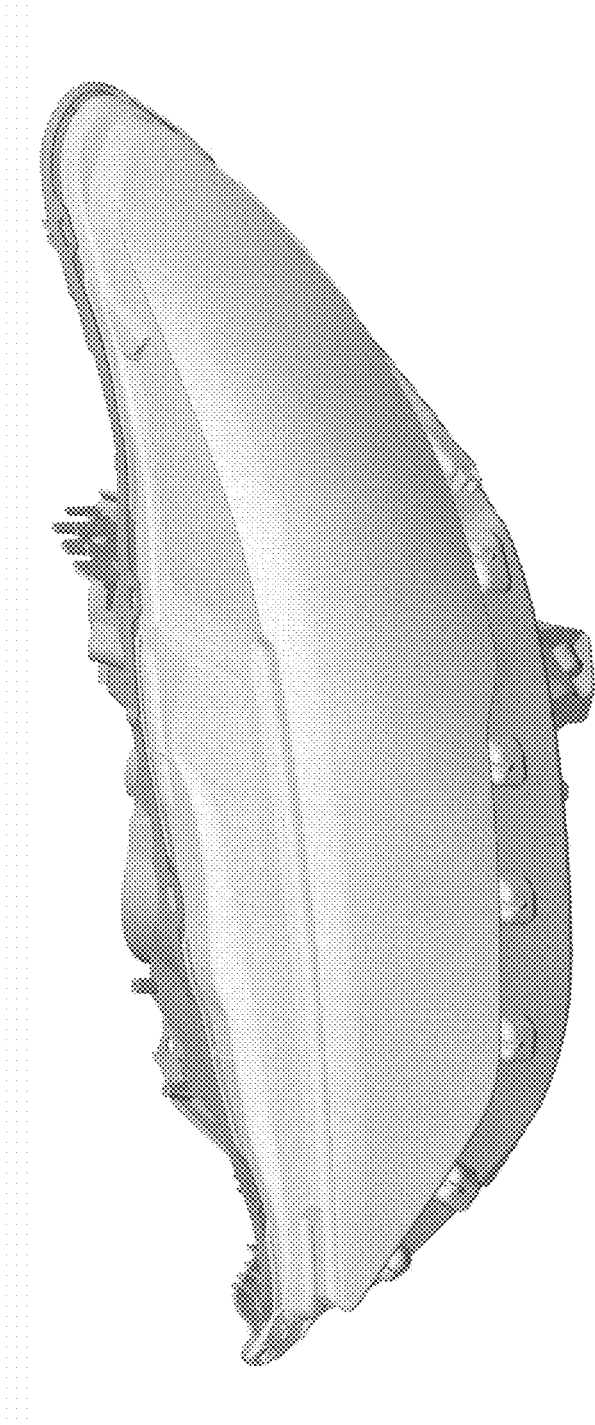


Figure 1

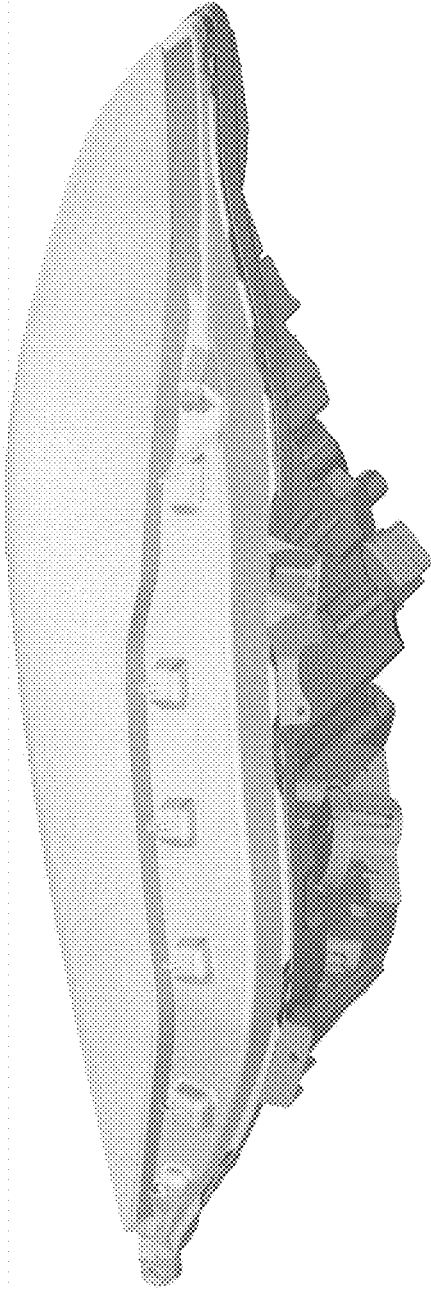


Figure 2

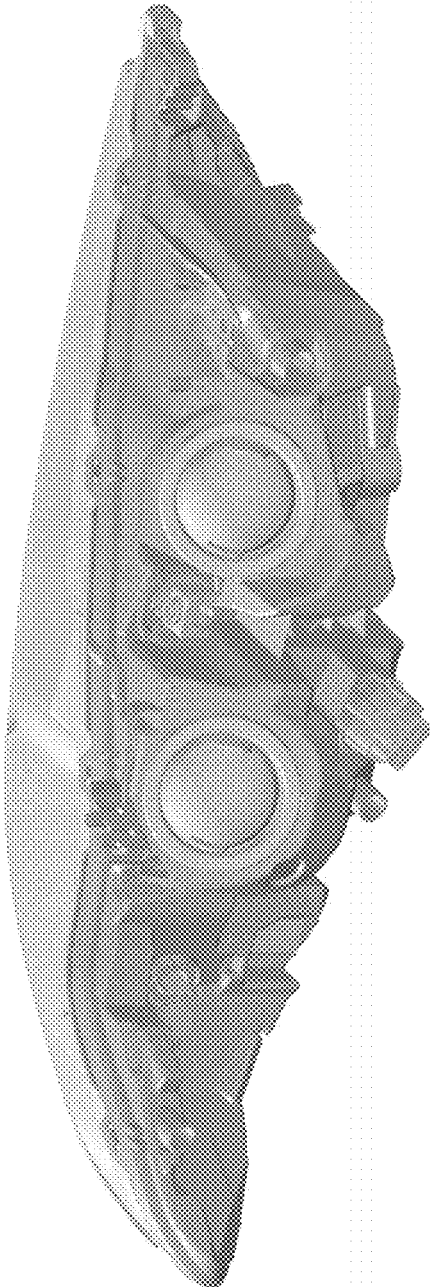


Figure 3

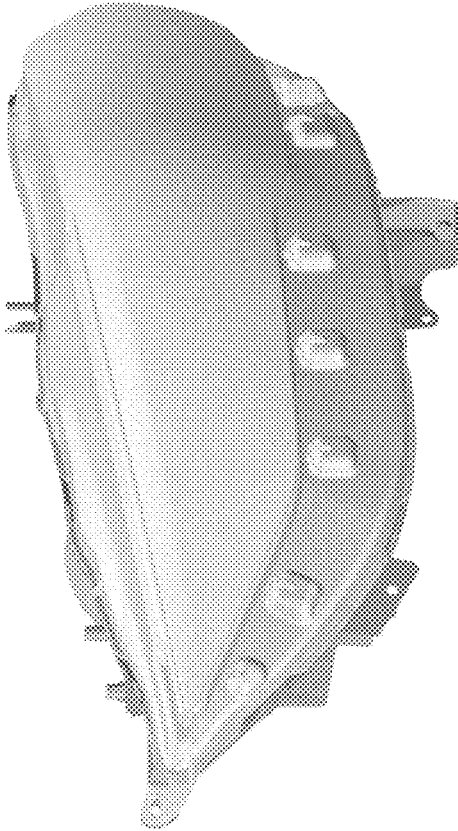


Figure 4

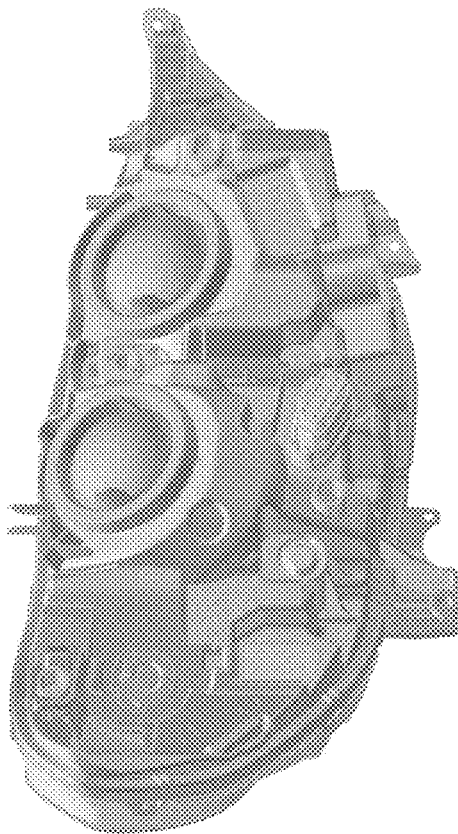


Figure 5

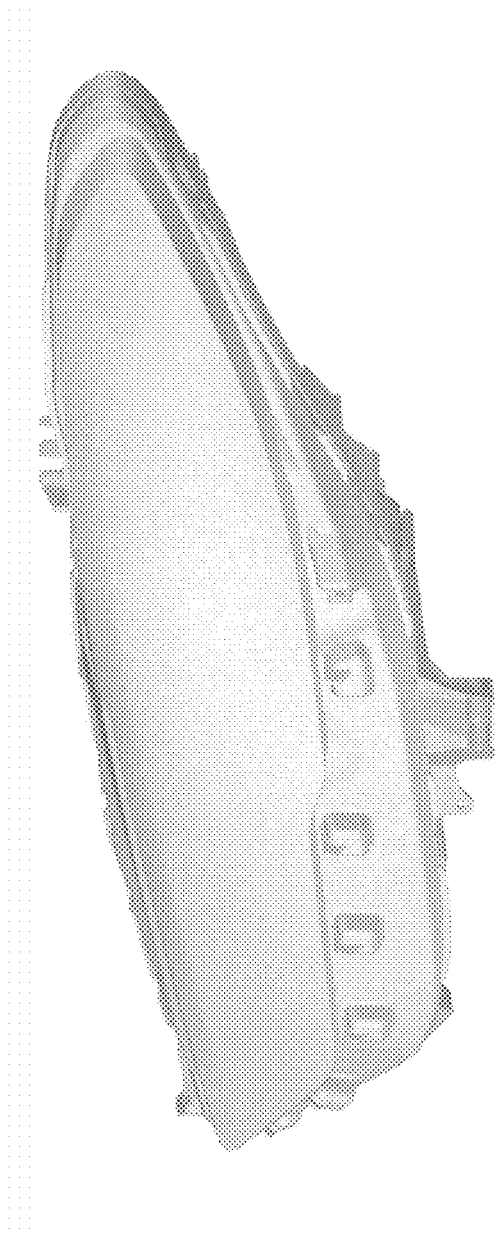


Figure 6

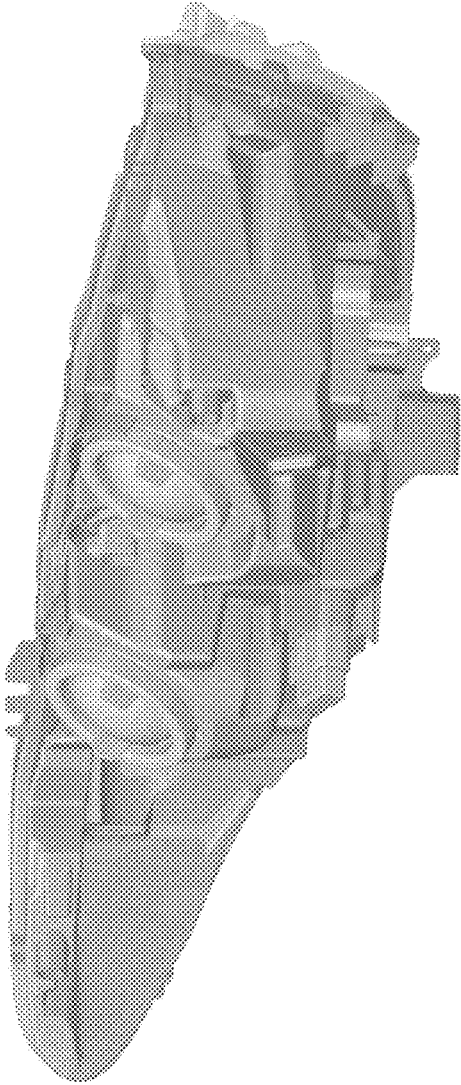


Figure 7

Figure 8

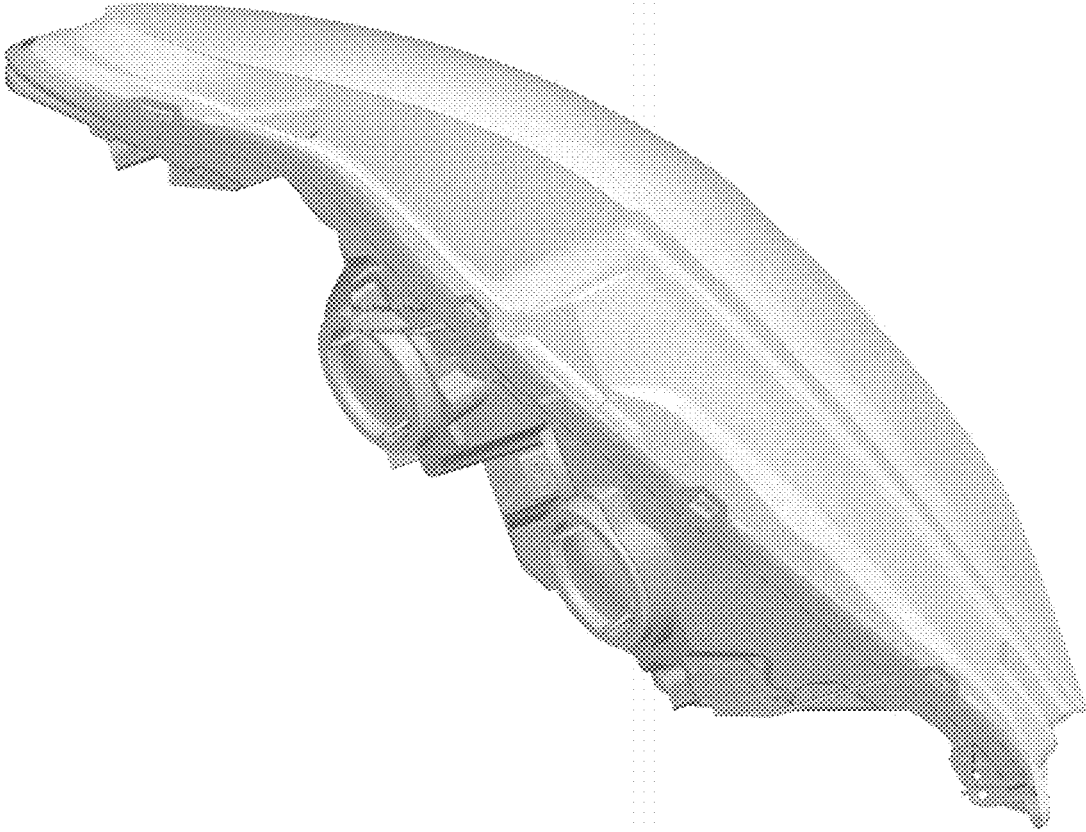


Figure 9

