



(12) **United States Design Patent**
Curry

(10) **Patent No.:** **US D1,028,262 S**
(45) **Date of Patent:** **** May 21, 2024**

- (54) **HEATING PAD**
- (71) Applicant: **Marcus Curry**, San Diego, CA (US)
- (72) Inventor: **Marcus Curry**, San Diego, CA (US)
- (**) Term: **15 Years**
- (21) Appl. No.: **29/801,820**
- (22) Filed: **Jul. 30, 2021**
- (51) **LOC (14) Cl.** **24-01**
- (52) **U.S. Cl.** **D24/206**
USPC **D24/206**
- (58) **Field of Classification Search**
USPC D24/206-208, 188-189, 200, 201-205,
D24/213, 186, 193, 197, 199, 215;
D3/901; D13/103, 108; D6/582-583,
D6/596, 601, 361; D2/706-709, 870,
D2/878; D14/192, 205, 344; D16/301;
D15/90; D9/542, 574; D23/380, 270
CPC A61F 13/023; A61F 13/0203; A61F
13/0226; A61F 13/00068; A61F
2013/00817; A61F 2013/00748; A61F
2013/00868; A61F 13/0259; A61F
2013/00174; A61F 13/0216; A61F
13/022; A61F 2007/0001; A61F
2007/0228; A61F 2007/108; A61F
2007/023; A61F 7/10; A61F 7/103; A61F
7/02; A61F 7/08; A61F 7/007; A61F
2007/0075; A61F 2007/0055; A61F
2007/0011; A61F 2007/0057; A61H
2205/062; A61H 2201/1604; A61H
2201/165; A61H 9/0021; A61H 9/00;
A61H 2201/0103; A61H 2201/1654;
A61H 2201/5066; A61H 2201/1669;
A61H 2201/0149
See application file for complete search history.

D484,603	S	*	12/2003	Kocik	D24/189
D526,722	S	*	8/2006	Dodo	D24/206
D533,669	S	*	12/2006	Haunschild	D24/217
D562,416	S	*	2/2008	Fedriga	D21/694
D691,221	S	*	10/2013	Potts	D21/680
D728,806	S	*	5/2015	Cox	D24/190
D741,500	S	*	10/2015	Son	D24/190
D757,280	S	*	5/2016	Ogaki	D24/206
D777,934	S	*	1/2017	Hahn	D24/189
D791,335	S	*	7/2017	Buchanan	D24/206
D847,536	S	*	5/2019	Patton	D6/582
D863,562	S	*	10/2019	Hahn	D24/189
D886,312	S	*	6/2020	Fan	D24/206
D890,355	S	*	7/2020	Nordeen	D24/207
2009/0306559	A1	*	12/2009	Tsai	A61H 7/007 601/134

(Continued)

Primary Examiner — Samantha Q Lawrence
Assistant Examiner — Holly M Rodriguez
(74) *Attorney, Agent, or Firm* — ARC IP Law, PC;
Joseph J. Mayo

(57) **CLAIM**

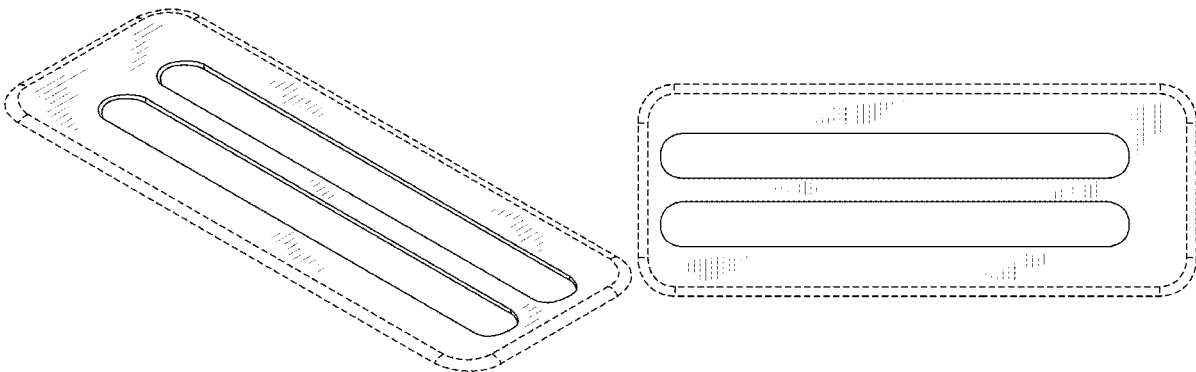
The ornamental design for a heating pad, as shown and described.

DESCRIPTION

FIG. 1 is an upper front perspective view of a heating pad of which the lower rear perspective view is a mirror image. FIG. 2 is a top view of the heating pad as shown in FIG. 1, of which the bottom view is a mirror image. FIG. 3 is a front view of the heating pad as shown in FIG. 1, of which the rear view is a mirror image; and, FIG. 4 is a left view of the heating pad as shown in FIG. 1, of which the right view is a mirror image. The broken lines depict portions of the heating pad that form no part of the claimed design.

1 Claim, 4 Drawing Sheets

- (56) **References Cited**
U.S. PATENT DOCUMENTS
3,265,389 A * 8/1966 Carlson A63B 23/16
482/49
D484,392 S * 12/2003 Mayo D8/353



(56)

References Cited

U.S. PATENT DOCUMENTS

2010/0137762 A1* 6/2010 Tsai A61H 15/0078
601/134

* cited by examiner

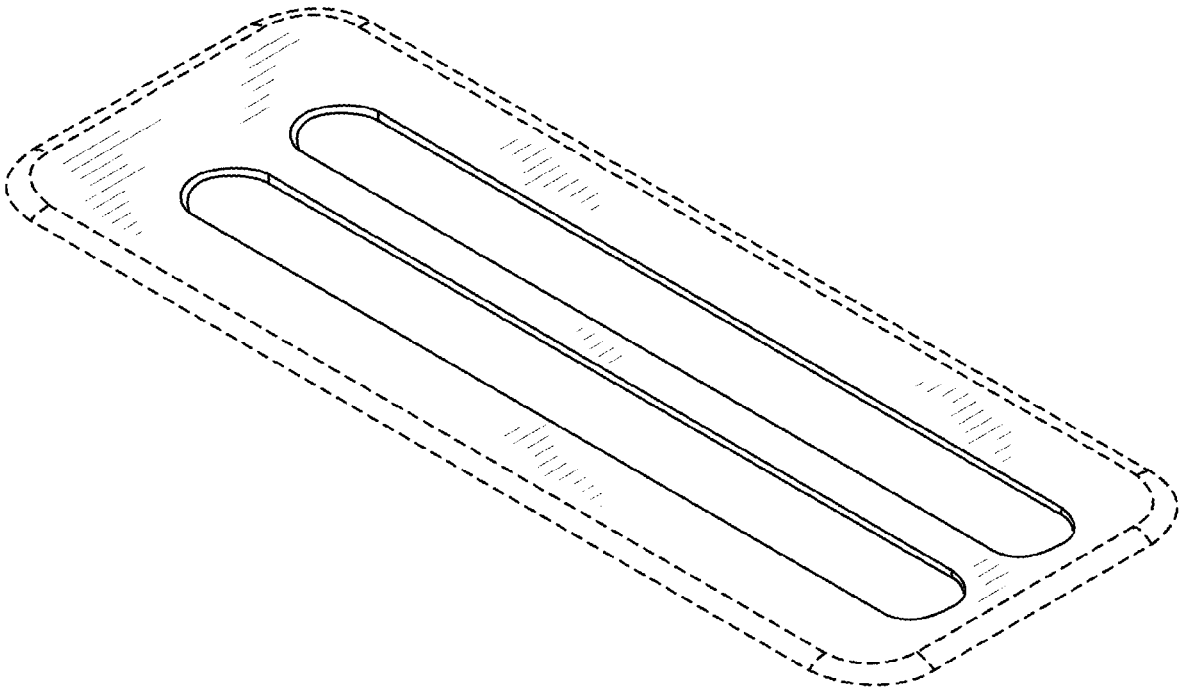


FIG. 1

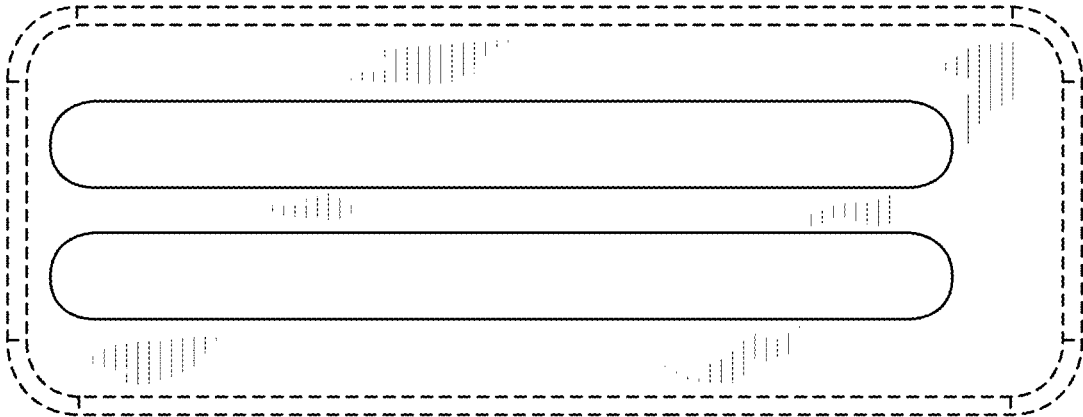


FIG. 2



FIG. 3



FIG. 4