



US00D684329S

(12) **United States Design Patent**
Church

(10) **Patent No.:** **US D684,329 S**

(45) **Date of Patent:** **** Jun. 11, 2013**

(54) **PAINT TRAY**

(75) Inventor: **George David Church**, Kitchener (CA)

(73) Assignee: **Nour Trading House Inc.**, Waterloo,
Ontario (CA)

(**) Term: **14 Years**

(21) Appl. No.: **29/423,615**

(22) Filed: **Jun. 2, 2012**

(51) **LOC (9) Cl.** **07-07**

(52) **U.S. Cl.**
USPC **D32/53.1**

(58) **Field of Classification Search**
USPC D32/53-54; 15/257.05, 257.06; 220/570,
220/495.01, 495.02

See application file for complete search history.

(56) **References Cited**

U.S. PATENT DOCUMENTS

D264,897 S * 6/1982 Smith D32/53.1
D301,785 S * 6/1989 Goetz D32/53.1
D586,515 S * 2/2009 Arvinte et al. D32/53.1

* cited by examiner

Primary Examiner — Robin V Webster

(74) *Attorney, Agent, or Firm* — Daryl W. Shnurr

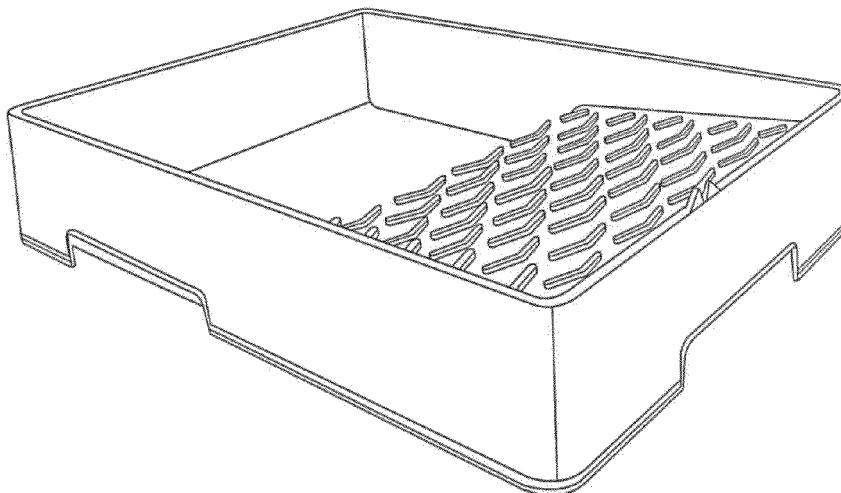
(57) **CLAIM**

The ornamental design for a paint tray, as shown and described.

DESCRIPTION

FIG. 1 is a front view of the tray;
FIG. 2 is a rear view of the tray;
FIG. 3 is a side view of the first side of the tray;
FIG. 4 is a side view of the second side of the tray;
FIG. 5 is a top view of the tray;
FIG. 6 is a bottom view of the tray; and,
FIG. 7 is a perspective view of the tray.

1 Claim, 7 Drawing Sheets



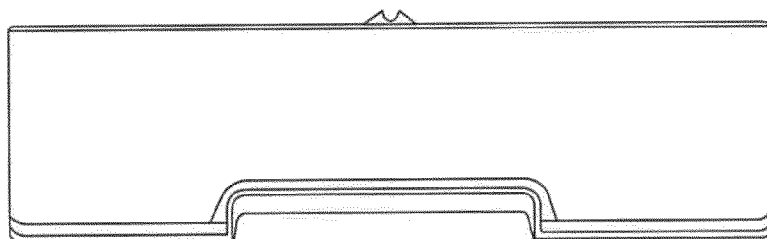


FIG. 1

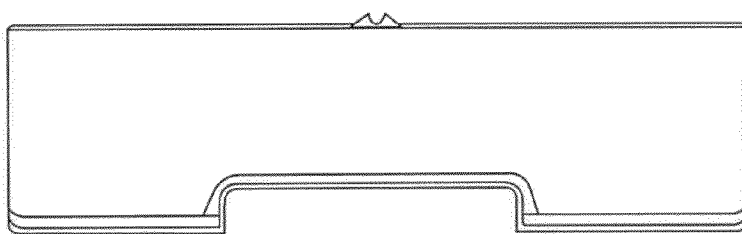


FIG. 2

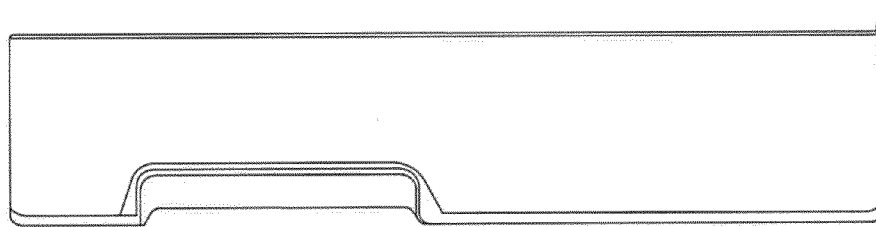


FIG. 3

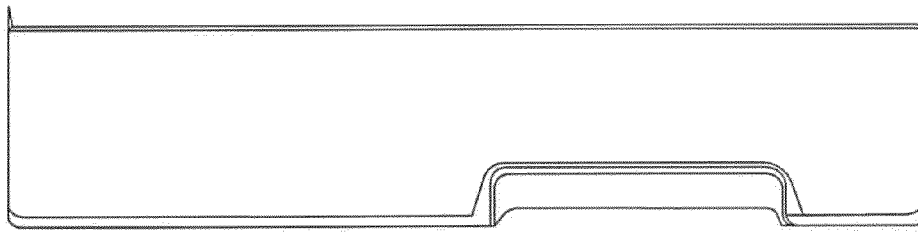


FIG. 4

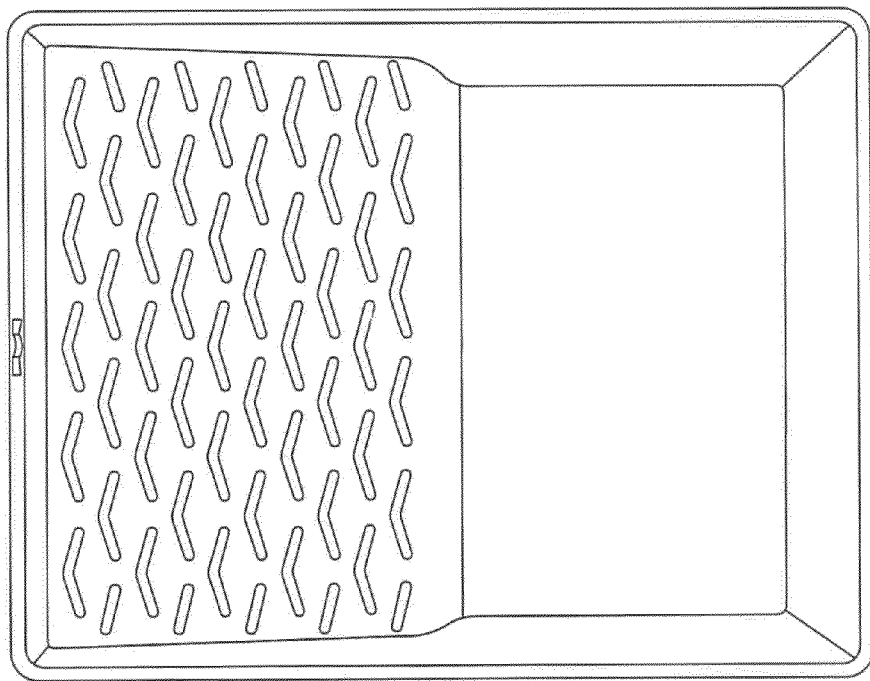


FIG. 5

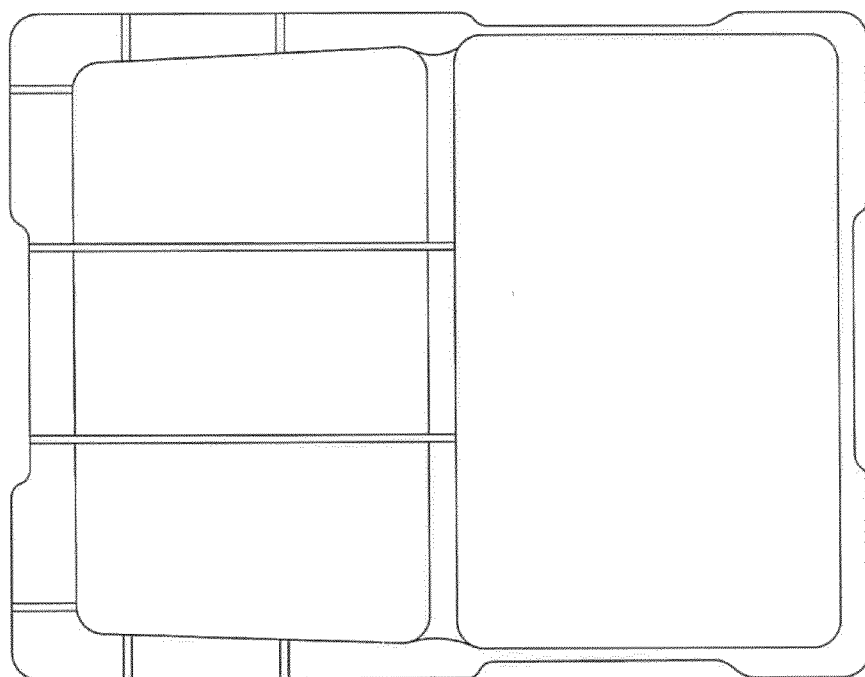


FIG. 6

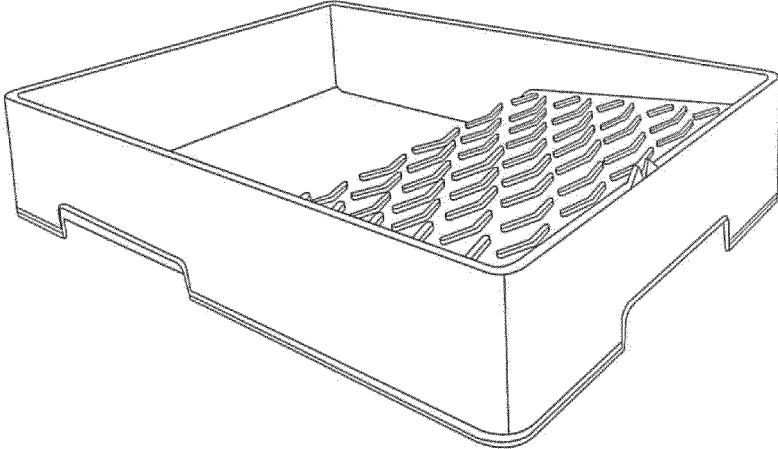


FIG. 7