



- (51) International Patent Classification:
F16L 33/18 (2006.01) F16L 33/207 (2006.01)
F16L 33/34 (2006.01)
- (21) International Application Number:
PCT/US2012/031929
- (22) International Filing Date:
3 April 2012 (03.04.2012)
- (25) Filing Language: English
- (26) Publication Language: English
- (30) Priority Data:
61/474,376 12 April 2011 (12.04.2011) US
- (71) Applicant (for all designated States except US): **PARKER HANNIFIN CORPORATION** [US/US]; 6035 Parkland Blvd., Cleveland, Ohio 44124-4141 (US).
- (72) Inventor; and
- (75) Inventor/Applicant (for US only): **BAXI, Nikhil** [US/US]; 1051 Woodland Glen Drive, Cordova, Tennessee 38018 (US).
- (74) Agents: **FISTEK, Thomas et al.**; 6035 Parkland Blvd., Cleveland, Ohio 44124-4141 (US).
- (81) Designated States (unless otherwise indicated, for every kind of national protection available): AE, AG, AL, AM, AO, AT, AU, AZ, BA, BB, BG, BH, BR, BW, BY, BZ,

CA, CH, CL, CN, CO, CR, CU, CZ, DE, DK, DM, DO, DZ, EC, EE, EG, ES, FI, GB, GD, GE, GH, GM, GT, HN, HR, HU, ID, IL, IN, IS, JP, KE, KG, KM, KN, KP, KR, KZ, LA, LC, LK, LR, LS, LT, LU, LY, MA, MD, ME, MG, MK, MN, MW, MX, MY, MZ, NA, NG, NI, NO, NZ, OM, PE, PG, PH, PL, PT, QA, RO, RS, RU, RW, SC, SD, SE, SG, SK, SL, SM, ST, SV, SY, TH, TJ, TM, TN, TR, TT, TZ, UA, UG, US, UZ, VC, VN, ZA, ZM, ZW.

(84) Designated States (unless otherwise indicated, for every kind of regional protection available): ARIPO (BW, GH, GM, KE, LR, LS, MW, MZ, NA, RW, SD, SL, SZ, TZ, UG, ZM, ZW), Eurasian (AM, AZ, BY, KG, KZ, MD, RU, TJ, TM), European (AL, AT, BE, BG, CH, CY, CZ, DE, DK, EE, ES, FI, FR, GB, GR, HR, HU, IE, IS, IT, LT, LU, LV, MC, MK, MT, NL, NO, PL, PT, RO, RS, SE, SI, SK, SM, TR), OAPI (BF, BJ, CF, CG, CI, CM, GA, GN, GQ, GW, ML, MR, NE, SN, TD, TG).

Published:

- with international search report (Art. 21(3))
- before the expiration of the time limit for amending the claims and to be republished in the event of receipt of amendments (Rule 48.2(h))

(88) Date of publication of the international search report:
13 December 2012

(54) Title: LOW PERMEATION HOSE COUPLING

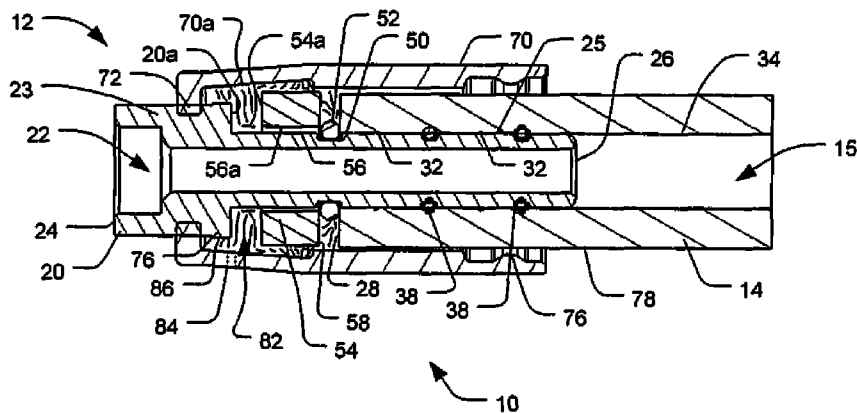


FIG. 2B

(57) Abstract: A coupling that has a body (20) through which fluid flows and which has a proximal end and a distal end that is insertable into an end of a tubular member (14). The coupling has a sealing element (52) on the body between the proximal end and the distal end and a movable member (54) coupled to the body on a proximal side of the sealing element, the moveable member being moveable towards the distal end of the body to press the sealing element against the end of a tubular member into which the distal end has been inserted, thereby forming a face seal between the end of the tubular member and the moveable member.



INTERNATIONAL SEARCH REPORT

International application No
PCT/US2012/031929

A. CLASSIFICATION OF SUBJECT MATTER INV. F16L33/18 F16L33/34 F16L33/207 ADD.		
According to International Patent Classification (IPC) or to both national classification and IPC		
B. FIELDS SEARCHED		
Minimum documentation searched (classification system followed by classification symbols) F16L		
Documentation searched other than minimum documentation to the extent that such documents are included in the fields searched		
Electronic data base consulted during the international search (name of data base and, where practicable, search terms used) EPO-Internal, WPI Data		
C. DOCUMENTS CONSIDERED TO BE RELEVANT		
Category*	Citation of document, with indication, where appropriate, of the relevant passages	Relevant to claim No.
X	FR 747 473 A (DEVIIENNE) 17 June 1933 (1933-06-17) page 2, line 25 - line 39; figure all -----	1-4,15, 17
X	FR 2 144 147 A5 (CDB TUYAUTERIES FLEXIBLE) 9 February 1973 (1973-02-09) page 3; figures 1,2 -----	1,3,4, 11-15,20
X	EP 2 045 502 A1 (GREINER SPA [IT]) 8 April 2009 (2009-04-08) abstract; figure 2 -----	1,3-10, 15,20
X	WO 2007/049053 A1 (ANGELL JONATHAN GEORGE CORDY [GB]) 3 May 2007 (2007-05-03) abstract; figures 3,4 -----	1,3-10, 15,20
A	GB 1 021 245 A (DAIMLER BENZ AG) 2 March 1966 (1966-03-02) page 2, line 62 - line 123; figures 1-3 -----	10,18,19
<input type="checkbox"/> Further documents are listed in the continuation of Box C. <input checked="" type="checkbox"/> See patent family annex.		
* Special categories of cited documents :		
"A" document defining the general state of the art which is not considered to be of particular relevance	"T" later document published after the international filing date or priority date and not in conflict with the application but cited to understand the principle or theory underlying the invention	
"E" earlier application or patent but published on or after the international filing date	"X" document of particular relevance; the claimed invention cannot be considered novel or cannot be considered to involve an inventive step when the document is taken alone	
"L" document which may throw doubts on priority claim(s) or which is cited to establish the publication date of another citation or other special reason (as specified)	"Y" document of particular relevance; the claimed invention cannot be considered to involve an inventive step when the document is combined with one or more other such documents, such combination being obvious to a person skilled in the art	
"O" document referring to an oral disclosure, use, exhibition or other means	"&" document member of the same patent family	
"P" document published prior to the international filing date but later than the priority date claimed		
Date of the actual completion of the international search	Date of mailing of the international search report	
25 October 2012	02/11/2012	
Name and mailing address of the ISA/ European Patent Office, P.B. 5818 Patentlaan 2 NL - 2280 HV Rijswijk Tel. (+31-70) 340-2040, Fax: (+31-70) 340-3016	Authorized officer Kepka, Maciek	

INTERNATIONAL SEARCH REPORT

Information on patent family members

International application No PCT/US2012/031929

Patent document cited in search report	Publication date	Patent family member(s)	Publication date
FR 747473	A	17-06-1933	NONE

FR 2144147	A5	09-02-1973	NONE

EP 2045502	A1	08-04-2009	AT 542081 T 15-02-2012 EP 2045502 A1 08-04-2009

WO 2007049053	A1	03-05-2007	EP 1945987 A1 23-07-2008 WO 2007049053 A1 03-05-2007

GB 1021245	A	02-03-1966	DE 1212798 B 17-03-1966 GB 1021245 A 02-03-1966
