



US00D751230S

(12) **United States Design Patent**  
**Howard et al.**

(10) **Patent No.:** **US D751,230 S**

(45) **Date of Patent:** **\*\* Mar. 8, 2016**

(54) **LED NIGHT-LIGHT**

(71) Applicant: **Mary Elle Fashions, Inc.**, Maryland Heights, MO (US)

(72) Inventors: **Kenneth A. Howard**, Creve Coeur, MO (US); **James J. Riley**, St. Louis, MO (US); **Matthew S. Smith**, St. Charles, MO (US)

(73) Assignee: **Mary Elle Fashions, Inc.**, Maryland Heights, MO (US)

(\*\*) Term: **14 Years**

(21) Appl. No.: **29/451,518**

(22) Filed: **Apr. 3, 2013**

**Related U.S. Application Data**

(63) Continuation of application No. 13/544,365, filed on Jul. 9, 2012, now Pat. No. 8,662,733, which is a continuation of application No. 12/466,209, filed on May 14, 2009, now Pat. No. 8,215,820.

(51) **LOC (10) Cl.** ..... **26-05**

(52) **U.S. Cl.**  
USPC ..... **D26/26**

(58) **Field of Classification Search**  
USPC ..... D26/26, 24, 72, 75, 76, 78, 79, 81, 82, D26/88, 89, 91, 113, 118, 119, 120, 138, D26/141, 142; 362/145, 146, 147, 148, 150, 362/151, 153, 153.1, 217.01, 223, 217.05, 362/217.07, 217.06, 217.15, 640, 641, 642, 362/643, 644, 650, 651, 652, 653, 659, 362/249.02, 296.07, 296.08, 311.02, 373, 362/800  
CPC ..... F21S 8/035; F21V 23/06; F21V 23/0442; F21W 2121/00; H01R 2103/00

See application file for complete search history.

(56) **References Cited**

U.S. PATENT DOCUMENTS

D196,261 S \* 9/1963 Ludwig ..... D26/26  
D205,371 S \* 7/1966 Mellyn ..... D26/26

(Continued)

FOREIGN PATENT DOCUMENTS

EP 1353536 A1 10/2003  
WO 2010/132639 A1 11/2010

*Primary Examiner* — Angela J Lee

(74) *Attorney, Agent, or Firm* — Senniger Powers LLP

(57) **CLAIM**

The ornamental design for an LED (light emitting diode) night-light, as shown and described.

**DESCRIPTION**

FIG. 1 is a perspective view of one embodiment of the LED (light emitting diode) night-light of the invention;

FIG. 2 is a front view of the LED night-light of FIG. 1;

FIG. 3 is a right side view of the LED night-light of FIG. 1, which is a mirror image of the left side view of the LED night-light;

FIG. 4 is a top plan view of the LED night-light of FIG. 1;

FIG. 5 is a bottom plan view of the LED night-light of FIG. 1; and,

FIG. 6 is a rear view of the LED night-light of FIG. 1.

The text shown in broken lines in FIGS. 1-3, and 5 is for illustrative purposes only and is not part of the claimed design.

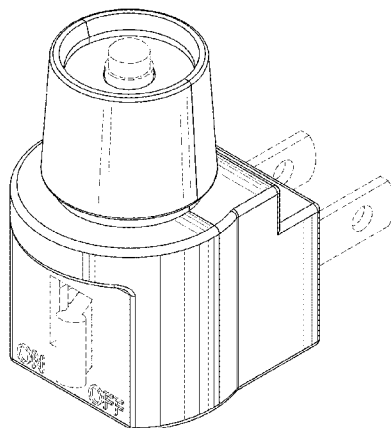
The electrical plug shown in broken lines in FIGS. 1, and 3-6 is for illustrative purposes only and is not part of the claimed design.

The screw head and accompanying indentation shown in broken lines in FIGS. 4 and 6 is for illustrative purposes only and is not part of the claimed design.

The LED (light emitting diode) light source shown in broken lines in FIGS. 1-4 and 6 is for illustrative purposes only and is not part of the claimed design.

The toggle switch shown in broken lines in FIGS. 1-5 is for illustrative purposes only and is not part of the claimed design.

**1 Claim, 6 Drawing Sheets**



(56)

References Cited

U.S. PATENT DOCUMENTS

3,968,355 A	7/1976	Smallegan	2003/0185020 A1	10/2003	Stekelenburg	
4,064,426 A	12/1977	Tyler	2004/0160769 A1	8/2004	Currie et al.	
4,343,032 A	8/1982	Schwartz	2004/0246704 A1	12/2004	Burdick	
4,714,984 A	12/1987	Spector	2006/0002153 A1	1/2006	Currie et al.	
5,339,231 A	8/1994	Parsolano et al.	2006/0007709 A1	1/2006	Yuen	
D393,084 S *	3/1998	Hergert ..... D26/26	2006/0077684 A1	4/2006	Yuen	
D460,573 S	7/2002	Gee, II	2006/0152946 A1	7/2006	Chien	
D485,380 S *	1/2004	Goodenow ..... D26/4	2006/0171141 A1*	8/2006	Tsai ..... 362/95	
6,709,126 B1	3/2004	Leen	2006/0221617 A1	10/2006	Chien	
6,824,296 B2	11/2004	Souza et al.	2006/0237439 A1	10/2006	Norwood et al.	
D500,152 S	12/2004	Stekelenburg	2007/0076437 A1	4/2007	Chien	
6,926,426 B2	8/2005	Currie et al.	2007/0076438 A1	4/2007	Chien	
D523,972 S	6/2006	Chan	2007/0076439 A1	4/2007	Chien	
D523,975 S *	6/2006	Meyers ..... D26/26	2007/0076440 A1	4/2007	Chien	
D524,456 S	7/2006	Yuen	2007/0103901 A1	5/2007	Reid	
D524,457 S	7/2006	Chan	2007/0132733 A1	6/2007	Ram	
D524,458 S	7/2006	Chan	2007/0242485 A1	10/2007	Chien	
D524,956 S	7/2006	Chan	2007/0253222 A1*	11/2007	Driska et al. .... 362/641	
D525,376 S	7/2006	Brady	2008/0304289 A1	12/2008	Chien	
7,114,821 B2	10/2006	Currie et al.	2009/0080201 A1	3/2009	Wu	
D536,806 S *	2/2007	Yuen ..... D26/26	2010/0290254 A1*	11/2010	Howard et al. .... 362/641	
7,455,444 B2	11/2008	Chien	2012/0275194 A1	11/2012	Howard et al.	
7,568,829 B2	8/2009	Chien	2014/0185325 A1*	7/2014	Howard et al. .... 362/641	
7,632,004 B2	12/2009	Chien				
8,215,820 B2*	7/2012	Howard et al. .... 362/641				

\* cited by examiner

FIG. 1

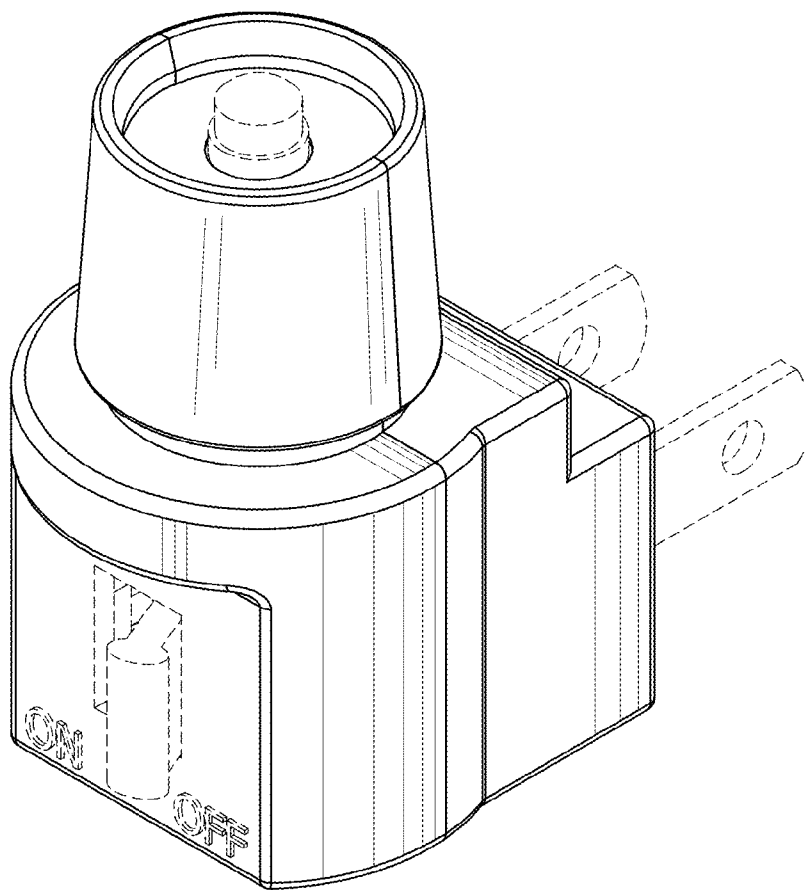


FIG. 2

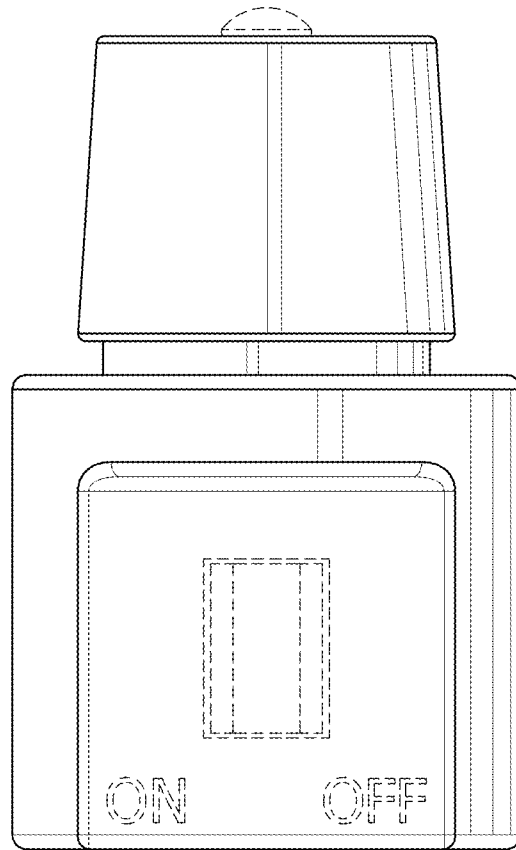


FIG. 3

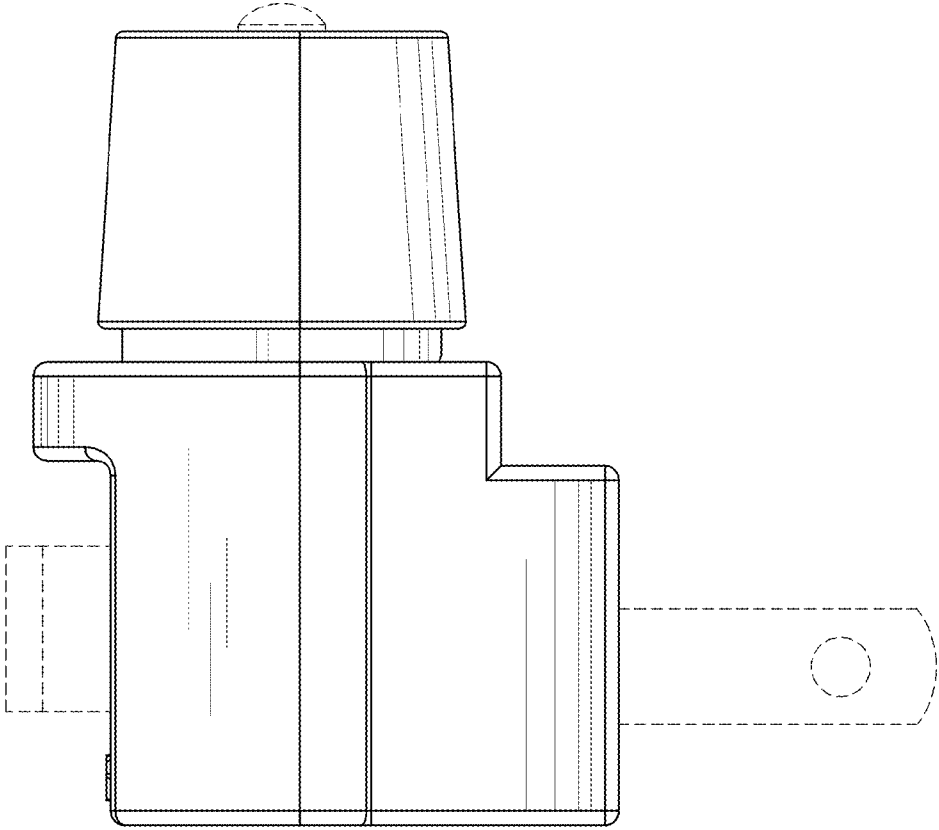


FIG. 4

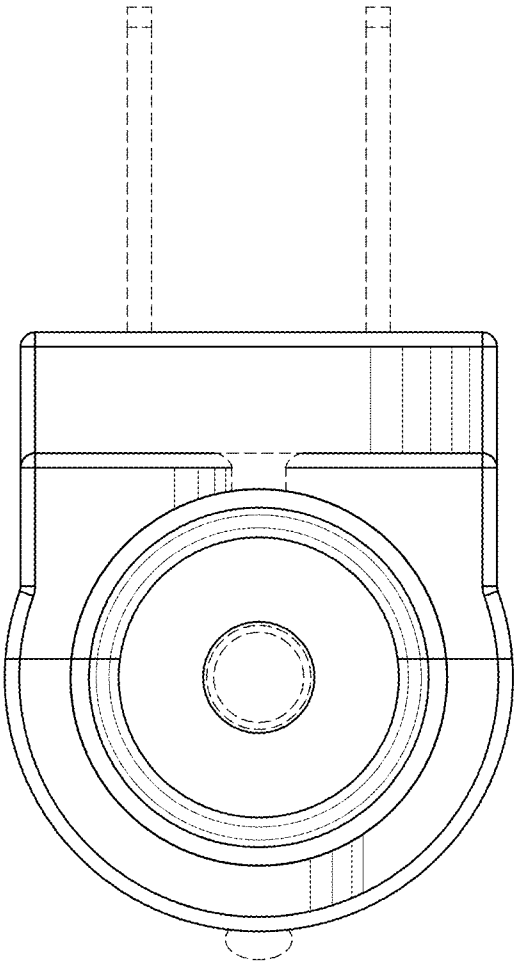


FIG. 5

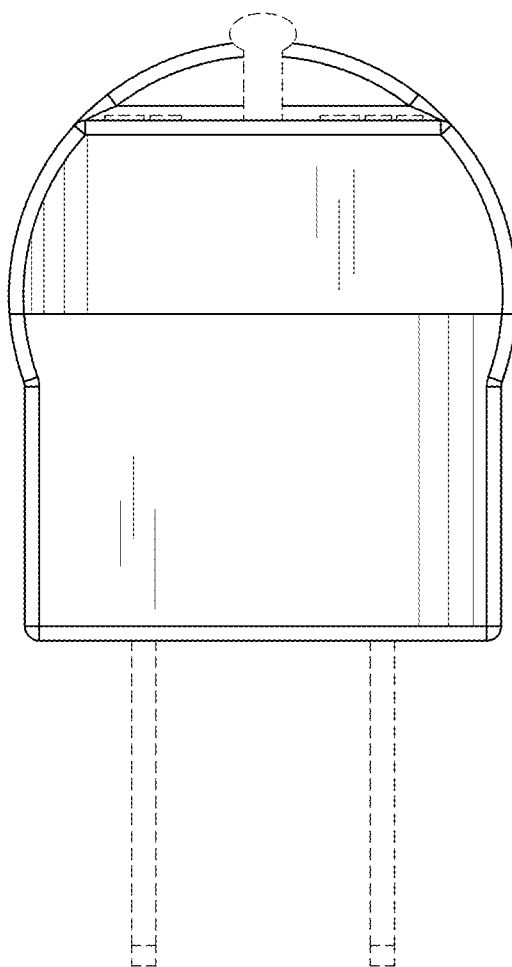


FIG. 6

