

(12) **UK Patent Application** (19) **GB** (11) **2 382 101** (13) **A**

(43) Date of A Publication **21.05.2003**

(21) Application No **0127268.1**

(22) Date of Filing **14.11.2001**

(71) Applicant(s)
Leslie Thomas Upton
3 Skipton Avenue, New Moston,
MANCHESTER, M40 3WE,
United Kingdom

(72) Inventor(s)
Leslie Thomas Upton

(74) Agent and/or Address for Service
Leslie Thomas Upton
3 Skipton Avenue, New Moston,
MANCHESTER, M40 3WE,
United Kingdom

(51) INT CL⁷
E05C 19/00

(52) UK CL (Edition V)
E2A ACME A119 A190 A420

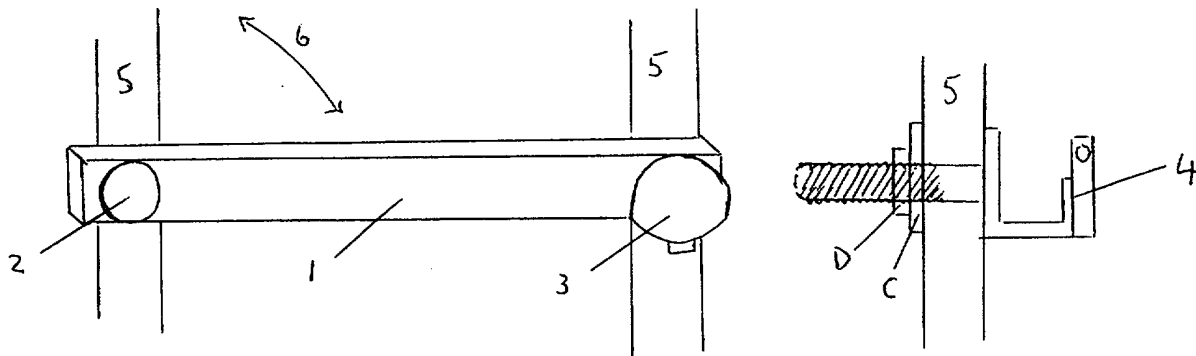
(56) Documents Cited
GB 2336872 A **GB 2265413 A**
DE 009213108 U **US 5669640 A**
US 20020007655 A

(58) Field of Search
UK CL (Edition T) **E2A ACME**
INT CL⁷ **E05C 19/00**
Other: **Online: EPODOC, JAPIO, WPI**

(54) Abstract Title
Exterior door security bar

(57) A security barrier for a door comprises a first bracket 2 attached to a doorframe on one side of the door and a second bracket 3 attached to a doorframe on the other side of the door, each bracket being secured by a bolt and nut D passing through the doorframe and fastened on the opposite side from the bracket, and a security bar 1 connected to one end to one of the brackets to allow pivotal motion in a vertical plane and securable at its other end to the second bracket. The security bar is preferably secured by a padlock which is covered by a guard 4.

FIGURE 1



GB 2 382 101 A

FIGURE 1

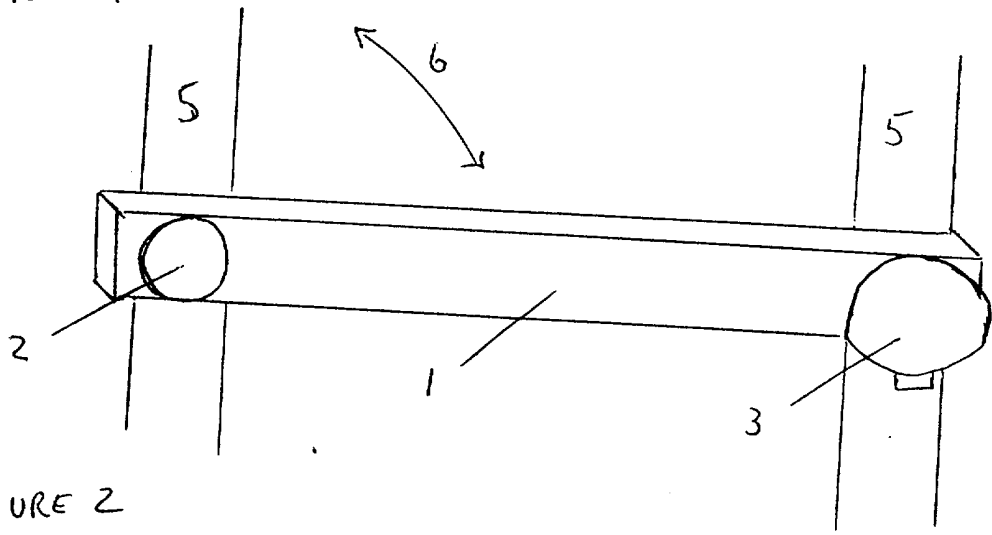


FIGURE 2

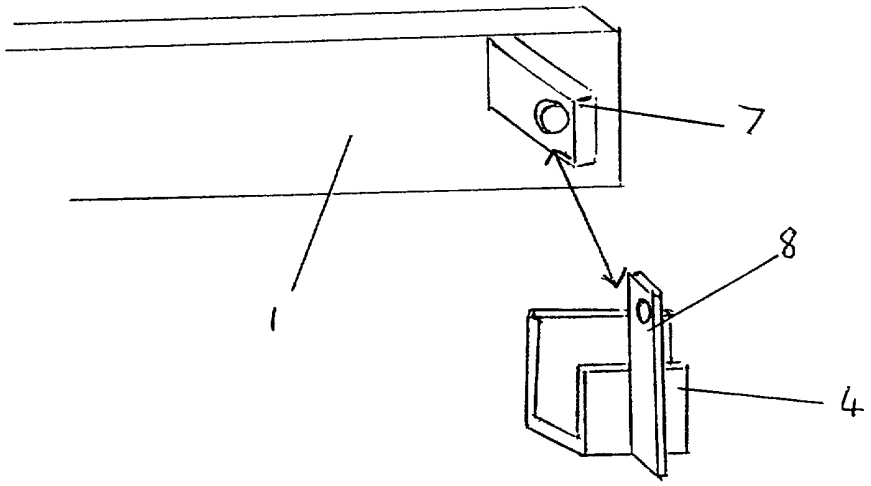
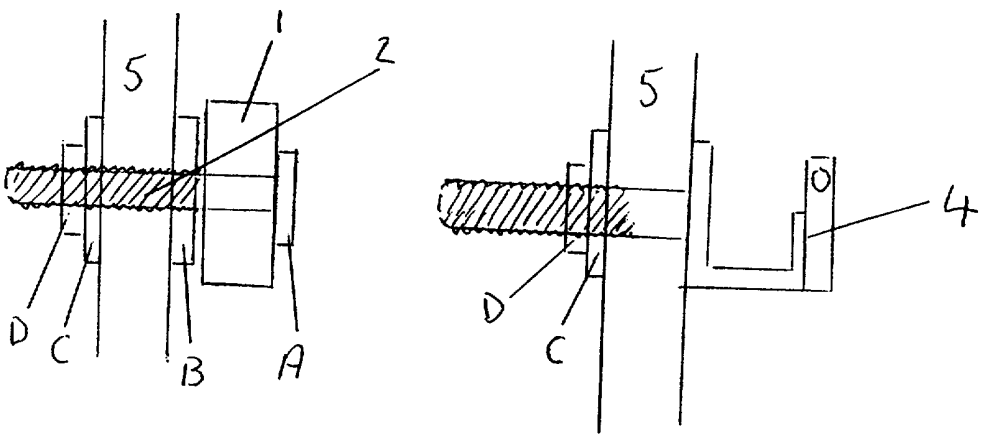


FIGURE 3



Exterior Door Security Bar

This invention is an exterior security bar for doors, which open outwards.

Doors, which open outwards, are very popular for structures such as sheds. The frame of the door is strongest on the inside as the door closes from the outside in so there is no support on the outside of the door.

This invention is an exterior security bar, which fits on an axle bracket that is fixed through the doorframe and bolted on the interior and a holding and locking bracket, which fits on the other side of the doorframe and bolted on the interior.

A specific embodiment of the invention will now be described by way of example with reference to the accompanying drawing in which: -

Figure 1 shows the security bar in the closed position.

Figure 2 shows the locking device for the security bar and holding and locking bracket, which is covered by the padlock, cover 3 in figure 1.

Figure 3 shows the axle bracket and holding and locking bracket.

Referring to the drawing the security bar comprises, security bar 1, axle bracket 2, padlock cover 3, holding and locking bracket 4, padlock bar 7, and padlock 8.

When the security bar 1 is lowered it rests in the holding and locking bracket 4. The hole in the locking bracket and the hole in the security bar comes together to allow a padlock to be placed through them and locked. A padlock cover 3 covers this.

The axle bracket 2 figure 3 is an $\frac{1}{2}$ inch diameter axle with an end stop a, either welded or in one piece turned in a lathe, the axle is threaded so the unthreaded part is just bigger than the width of the security bar 1. The axle 2 is placed through the security bar and a bearing (bearing not shown). The holding plate B is fastened up to the end of the thread making sure there is enough room for movement of the security bar arrow six figure 1. The axle bracket is placed through a hole in the left hand side exterior doorframe 5 and fastened with washer C and bolt D on the interior. The holding and locking bracket 4 is placed through a hole in the exterior right hand side doorframe and fastened using washer C and bolt D. When the security bar 1 is in the closed position the padlock bar 7 figure 2 meets with the padlock bar 8 to allow a padlock to be placed through and locked, this is covered by padlock guard 3 not shown in figure 2.

Claims

- 1- An exterior security bar which fits on an axle bracket that is fixed through the doorframe and bolted on the interior and a holding and locking bracket which fits on the other side of the doorframe and bolted on the interior.

- 2- A security bar as claimed in claim 1 is permanently fixed to the doorframe and opened by moving up and down on an axle.



Application No: GB 0127268.1
 Claims searched: 1, 2

Examiner: David Glover
 Date of search: 5 August 2002

Patents Act 1977
Search Report under Section 17

Databases searched:

UK Patent Office collections, including GB, EP, WO & US patent specifications, in:
 UK CI (Ed.T): E2A (ACME)
 Int CI (Ed.7): E05C 19/00
 Other: Online: EPODOC, JAPIO, WPI

Documents considered to be relevant:

Category	Identity of document and relevant passage	Relevant to claims
A	GB 2336872 A (Laban) see figure 3, note bolts 2 and nuts 4	
X	GB 2265413 A (Smith) see page 3 lines 1-5 and 15-21	1, 2
A	DE 9213108 U (Alt) see figures 2 & 3, note cover 21 and padlock 7	
X	US 2002/0007655 (Calle <i>et al</i>) see figure 1 and page 2 paragraph 18	1, 2
X	US 5669640 (Ryan) see figures 7 & 9 and column 5 lines 30-40	1, 2

X	Document indicating lack of novelty or inventive step	A	Document indicating technological background and/or state of the art.
Y	Document indicating lack of inventive step if combined with one or more other documents of same category.	P	Document published on or after the declared priority date but before the filing date of this invention.
&	Member of the same patent family	E	Patent document published on or after, but with priority date earlier than, the filing date of this application.