

[54] **AUTOMOBILE WHEEL**  
[76] **Inventor: Hiroshi Mori, 2751 Aqua Verde Cir., Los Angeles, Calif. 90077**  
[\*\*] **Term: 14 Years**  
[21] **Appl. No.: 8,926**  
[22] **Filed: Jan. 30, 1987**  
[52] **U.S. Cl. .... D12/209**  
[58] **Field of Search .... D12/206, 209, 211; 301/64 R, 64 SD, 65**

D. 286,278 10/1986 Sandberg ..... D12/211  
D. 291,298 8/1987 Reid ..... D12/211

**OTHER PUBLICATIONS**

Road & Track, 7/86, p. 169, Super Light 25 Wheel, bottom right side of page.  
Tire Review, 5/86, p. 22 W, Corvette Wheel, bottom right side of page.

*Primary Examiner*—James M. Gandy  
*Attorney, Agent, or Firm*—Lyon & Lyon

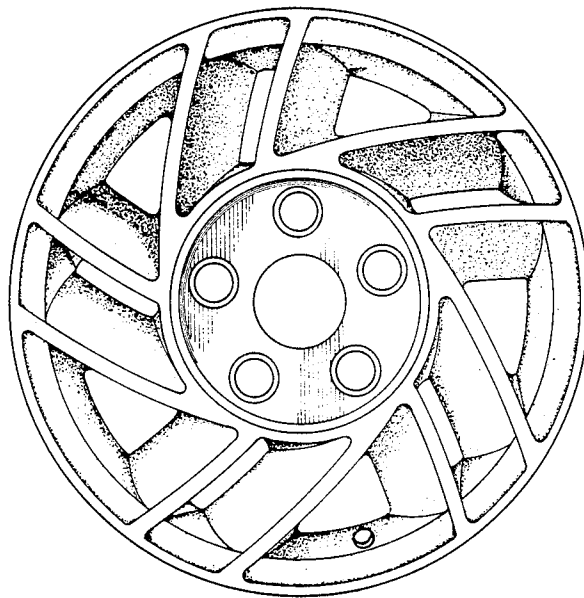
**CLAIM**

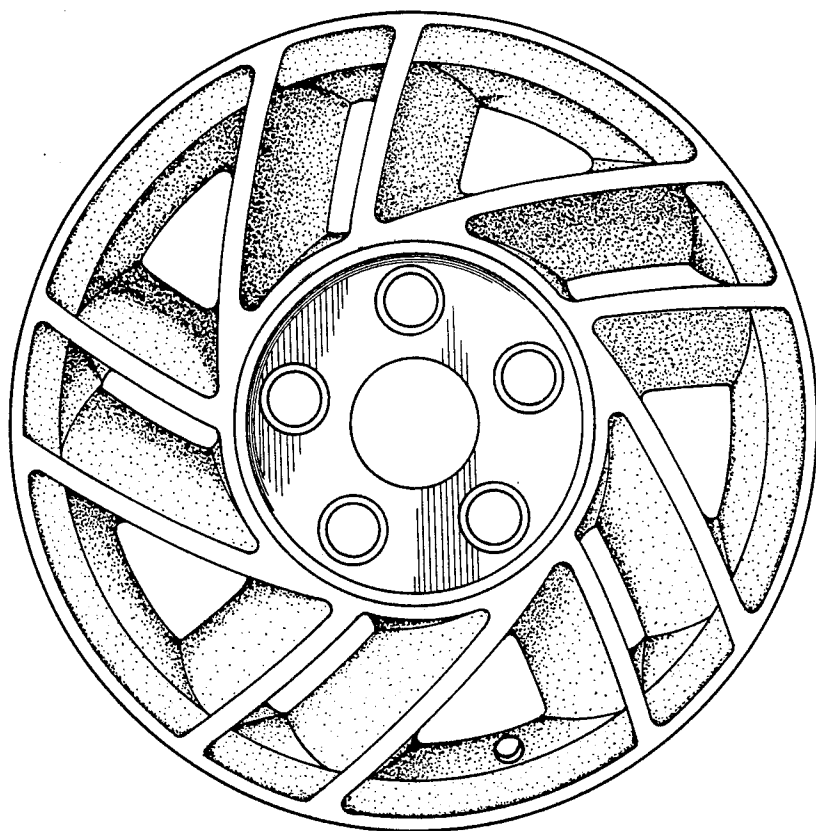
[57] The ornamental design for an automobile wheel, as shown.

[56] **References Cited**  
**U.S. PATENT DOCUMENTS**  
D. 235,329 6/1975 Gageby ..... D12/209  
D. 267,564 1/1983 Wright ..... D12/211  
D. 276,423 11/1984 Horikoshi ..... D12/211  
D. 282,159 1/1986 Schell et al. .... D12/211  
D. 284,182 6/1986 Hedlund ..... D12/211

**DESCRIPTION**

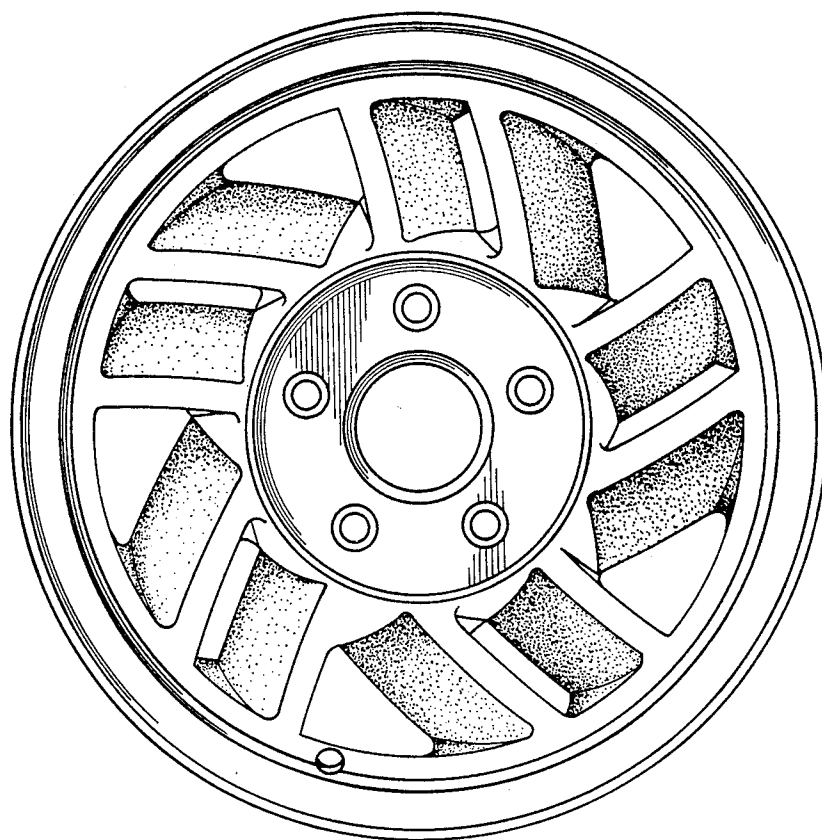
FIG. 1 is a front elevation view of an automobile wheel showing my new design;  
FIG. 2 is a rear elevation view thereof; and  
FIG. 3 is a side elevation view thereof.

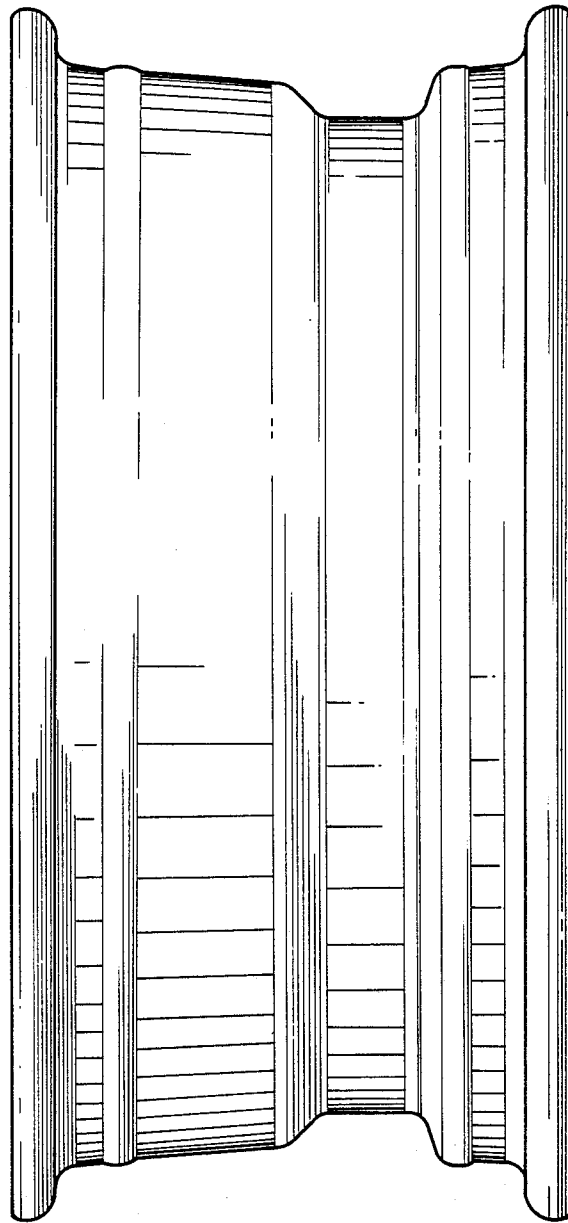




*FIG. 1*

*FIG. 2*





*FIG. 3*