



US00D612534S

(12) **United States Design Patent**  
**Mayfield, III et al.**

(10) **Patent No.:** **US D612,534 S**

(45) **Date of Patent:** **\*\* \*Mar. 23, 2010**

(54) **BRACKET**

(75) Inventors: **John T. Mayfield, III**, Loganville, GA (US); **Russell V. Rouse**, Oxford, GA (US); **Peter M. Schmidt**, Conyers, GA (US)

(73) Assignee: **ABL IP Holding LLC**, Conyers, GA (US)

(\*\*) Term: **14 Years**

(21) Appl. No.: **29/307,508**

(22) Filed: **Apr. 24, 2008**

(51) **LOC (9) Cl.** ..... **26-99**

(52) **U.S. Cl.** ..... **D26/142**

(58) **Field of Classification Search** ..... D26/63, D26/65, 73, 62, 76, 42, 26, 60, 72, 74, 75, D26/83, 85, 88, 89, 90, 93, 103, 107, 109, D26/113, 118, 120, 125, 138, 140, 141, 142, D26/149, 150, 151, 152, 154, 155, 145, 81, D26/87; 362/220, 249, 219, 225, 601, 607, 362/147, 217, 659, 171, 641, 644, 657, 658, 362/257, 280, 285, 382, 364, 403, 410, 431, 362/455, 809, 432; D6/474, 477, 479, 480; D13/134, 136, 146; 439/241, 231, 441, 244; D8/363, 354, 349, 382, 380, 364, 366, 373, D8/376, 377

See application file for complete search history.

(56) **References Cited**

**U.S. PATENT DOCUMENTS**

1,900,551 A 3/1933 Guth  
D122,861 S 10/1940 Carter

(Continued)

**FOREIGN PATENT DOCUMENTS**

CA 123993 11/2008

(Continued)

**OTHER PUBLICATIONS**

A.L.P. Lighting Components, Inc., "Convert-A-Strip", 1999, pp. 1-2.

(Continued)

*Primary Examiner*—Cathron C Brooks

*Assistant Examiner*—Kevin K Rudzinski

(74) *Attorney, Agent, or Firm*—Kilpatrick Stockton, LLP

(57) **CLAIM**

The ornamental design for a bracket, as shown and described.

**DESCRIPTION**

FIG. 1 shows a perspective view of a bracket according to the present invention.

FIG. 2 shows another perspective view of a bracket of FIG. 1.

FIG. 3 shows a front view of the bracket of FIG. 1.

FIG. 4 shows a right side profile view of the bracket of FIG. 1, the left side profile view being a mirror image of the right side profile view.

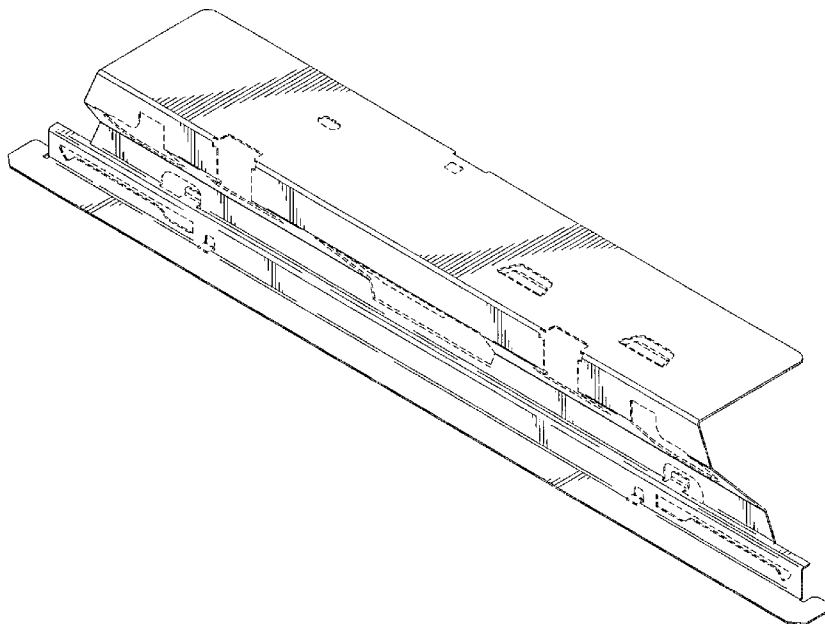
FIG. 5 shows a rear view of the bracket of FIG. 1.

FIG. 6 shows a top view of the bracket of FIG. 1; and,

FIG. 7 shows a bottom view of the bracket of FIG. 1.

Portions or features of the bracket shown in broken lines in the drawings form no part of the claimed design. Portions or features of the bracket absent in the drawings form no part of the claimed design.

**1 Claim, 4 Drawing Sheets**



# US D612,534 S

U.S. PATENT DOCUMENTS					
			5,606,222	A	2/1997 Cottaar et al.
D128,961	S	8/1941 Hrabak	D378,860	S	4/1997 Galletly
2,258,354	A	10/1941 Doane	5,615,943	A	4/1997 Coldren
D132,144	S	4/1942 Hallman	5,621,277	A	4/1997 Ricca
2,281,376	A	4/1942 Ohm	D383,966	S *	9/1997 Zaccagni ..... D8/354
2,334,005	A	11/1943 Hoeveler	5,716,125	A	2/1998 Aubrey
D143,641	S	1/1946 Biller et al.	5,746,502	A	5/1998 Huang
D155,306	S	9/1949 Meyer	D397,819	S	9/1998 Thorton
D156,332	S	12/1949 Gilman	5,803,585	A	9/1998 Littman et al.
2,490,018	A *	12/1949 Davis ..... 292/288	5,806,972	A	9/1998 Kaiser et al.
D160,417	S	10/1950 Nitardy	5,823,663	A	10/1998 Bell et al.
2,565,741	A	8/1951 Runge	5,826,970	A	10/1998 Keller et al.
2,606,998	A	8/1952 Wyman et al.	5,828,185	A	10/1998 Fellows et al.
2,670,429	A	2/1954 Tillson	5,836,677	A	11/1998 Connors et al.
2,701,840	A	2/1955 Carlson	5,938,316	A	8/1999 Yan
2,852,663	A	9/1958 Stuffer et al.	5,949,347	A	9/1999 Wu
2,946,880	A	7/1960 Picho et al.	5,971,571	A	10/1999 Rose
3,009,054	A	11/1961 Thomas	5,988,829	A	11/1999 Holder
3,154,001	A *	10/1964 Zurawski ..... 454/354	5,988,836	A	11/1999 Swarens
3,265,887	A	8/1966 Wince	5,997,158	A	12/1999 Fischer et al.
D209,534	S	12/1967 Eisenberg	5,998,939	A	12/1999 Fellows et al.
3,381,124	A	4/1968 Eisenberg	6,010,230	A	1/2000 Schmidt et al.
3,838,268	A	9/1974 Fabbri	6,024,468	A	2/2000 Kassay et al.
D240,853	S	8/1976 Aronson	6,050,709	A *	4/2000 Hastings ..... 362/375
D247,061	S *	1/1978 Win ..... D26/152	6,059,424	A	5/2000 Kotloff
4,135,228	A	1/1979 Lones	6,062,704	A	5/2000 Holder
4,220,986	A	9/1980 Matteo et al.	6,102,550	A	8/2000 Edwards
4,229,785	A	10/1980 Tutler	6,107,744	A	8/2000 Bavaro et al.
4,317,625	A	3/1982 Van Allen	6,149,280	A	11/2000 Quiogue et al.
4,338,663	A	7/1982 Strecker et al.	6,168,299	B1	1/2001 Yan
D275,264	S *	8/1984 Wegener, II ..... D8/373	6,168,300	B1	1/2001 Fischer et al.
D275,553	S *	9/1984 Emmie et al. .... D8/363	6,206,545	B1	3/2001 Yan
4,494,175	A	1/1985 Gawad et al.	D440,341	S	4/2001 Arumugasaamy
4,498,126	A	2/1985 Hernandez	6,210,019	B1	4/2001 Weathers
4,554,619	A	11/1985 Bansbach et al.	6,210,025	B1	4/2001 Schmidt et al.
D285,047	S *	8/1986 Dean et al. .... D8/382	6,234,641	B1	5/2001 Ungard
4,613,929	A	9/1986 Totten	6,238,065	B1	5/2001 Jones
4,650,265	A	3/1987 Holtzman	6,280,052	B1	8/2001 White
4,674,015	A	6/1987 Smith	6,305,816	B1	10/2001 Corcorran et al.
4,690,359	A *	9/1987 Phillips ..... 248/300	6,367,179	B1	4/2002 Marsh
4,698,734	A	10/1987 Ngai	6,419,375	B1	7/2002 Leadford et al.
4,725,934	A	2/1988 Gordin	6,422,720	B2	7/2002 Fischer et al.
4,748,545	A *	5/1988 Schmitt ..... 362/219	D461,267	S	8/2002 Arumugasaamy
4,799,136	A	1/1989 Molnar	6,454,442	B1	9/2002 Changaris
D300,873	S	4/1989 Thompson et al.	6,485,166	B1	11/2002 Fouke
4,849,867	A	7/1989 Glass et al.	D467,676	S	12/2002 Packer et al.
4,947,303	A	8/1990 Gordin et al.	D467,677	S	12/2002 Ries et al.
4,950,959	A	8/1990 Beckrot et al.	6,505,953	B1	1/2003 Dahlen
4,956,758	A	9/1990 Aubrey et al.	6,505,959	B2	1/2003 Masaki et al.
4,967,324	A	10/1990 Barclay	6,530,681	B2	3/2003 Sieczkowski
5,029,794	A *	7/1991 Wolfe ..... 248/343	6,537,649	B1	3/2003 Martin et al.
D320,094	S	9/1991 Miller et al.	D472,665	S	4/2003 Herst et al.
5,045,981	A	9/1991 Nagano	D472,666	S	4/2003 Herst et al.
5,055,976	A	10/1991 Arai	D472,667	S	4/2003 Herst et al.
5,075,828	A	12/1991 Gordin et al.	D472,668	S	4/2003 Herst et al.
5,083,248	A	1/1992 Troy	D473,007	S	4/2003 Herst et al.
5,117,342	A	5/1992 Vlah	D473,335	S	4/2003 Brohard et al.
D329,102	S	9/1992 Dieperink	6,540,382	B1	4/2003 Simon
5,195,822	A	3/1993 Takahashi et al.	6,582,098	B1	6/2003 Brown et al.
5,303,507	A	4/1994 Oille	D477,891	S	7/2003 Fritze et al.
5,365,411	A	11/1994 Rycroft et al.	D480,168	S	9/2003 Herst et al.
D357,607	S *	4/1995 Nilsson ..... D6/495	D480,172	S	9/2003 Herst et al.
5,412,551	A	5/1995 Newell	6,612,718	B1	9/2003 Packer et al.
D360,271	S	7/1995 Butler	6,612,723	B2	9/2003 Futhey et al.
D361,402	S *	8/1995 Herst et al. .... D26/152	D480,500	S	10/2003 Herst et al.
5,440,466	A	8/1995 Belisle et al.	D480,501	S	10/2003 Herst et al.
5,440,470	A	8/1995 Ly	D480,502	S	10/2003 Herst et al.
D365,409	S	12/1995 Lu	D480,503	S	10/2003 Herst et al.
5,550,723	A	8/1996 Ullman	D480,530	S	10/2003 Herst et al.
D374,579	S *	10/1996 Nilsson ..... D6/495	D480,830	S	10/2003 Sieczkowski
D376,094	S *	12/1996 Hubbard ..... D8/354	D481,488	S	10/2003 Herst et al.
5,580,158	A	12/1996 Aubrey et al.	D481,489	S	10/2003 Cline et al.
			6,635,999	B2	10/2003 Belliveau

6,637,912 B2 10/2003 Arumugasaamy et al.  
D481,820 S 11/2003 Watt  
6,652,118 B2 11/2003 Shemitz et al.  
D483,510 S 12/2003 Burhenne et al.  
6,655,819 B2 12/2003 Loga et al.  
D485,932 S 1/2004 Crane  
6,690,113 B1 2/2004 Ng  
D487,527 S 3/2004 Sieczkowski  
6,709,131 B1 3/2004 Herst et al.  
6,715,903 B2 4/2004 Wang  
6,726,345 B2 4/2004 Arumugasaamy et al.  
6,752,513 B2 6/2004 Plunk  
6,755,559 B2 6/2004 Wang et al.  
6,758,580 B1 7/2004 Verfuert  
6,853,151 B2 2/2005 Leong et al.  
6,854,860 B2 2/2005 Plunk  
6,869,205 B1 3/2005 Yan  
6,908,212 B2 6/2005 Schultz  
6,964,502 B1 11/2005 Verfuert  
6,974,233 B1 12/2005 Aubrey  
7,001,039 B1 2/2006 Aubrey  
D520,176 S 5/2006 Herst et al.  
7,036,957 B2 5/2006 Paravantsos  
7,042,173 B2 5/2006 Huber  
7,049,761 B2 5/2006 Timmermans et al.  
7,063,445 B2 6/2006 Wang et al.  
7,067,992 B2 6/2006 Leong et al.  
7,075,253 B2 7/2006 Huber  
7,080,923 B2 7/2006 Plunk et al.  
7,101,056 B2 9/2006 Pare  
7,108,398 B2 9/2006 Holten  
7,229,192 B2 6/2007 Mayfield et al.  
7,261,435 B2 8/2007 Gould et al.  
D556,560 S \* 12/2007 Tsuda ..... D8/382  
D586,948 S 2/2009 Mayfield et al.  
D594,590 S 6/2009 Mayfield et al.  
2001/0006463 A1 7/2001 Fischer et al.  
2001/0050850 A1 12/2001 Plunk  
2002/0015301 A1 \* 2/2002 Woolston et al. .... 362/34  
2002/0080615 A1 6/2002 Marshall et al.  
2002/0195953 A1 12/2002 Belliveau  
2004/0042218 A1 3/2004 Wang et al.  
2004/0105259 A1 6/2004 Plunk  
2004/0114363 A1 6/2004 Crunk  
2004/0232852 A1 11/2004 Huber  
2004/0232856 A1 11/2004 Huber  
2005/0201094 A1 9/2005 Plunk  
2006/0018116 A1 1/2006 Plunk et al.  
2006/0170376 A1 8/2006 Piepgras et al.  
2007/0008716 A1 1/2007 Glickman  
2007/0025709 A1 2/2007 Gladnick et al.  
2007/0127234 A1 6/2007 Jervey, III  
2007/0177390 A1 8/2007 Evans  
2007/0189026 A1 8/2007 Chemel et al.  
2007/0211457 A1 9/2007 Mayfield et al.

2007/0228999 A1 10/2007 Kit  
2007/0297181 A1 12/2007 Mayfield et al.  
2009/0207603 A1 8/2009 Lydecker et al.

FOREIGN PATENT DOCUMENTS

GB	2060212	2/1997
GB	2091915	4/2000
JP	10321009	12/1998
JP	2001307504	11/2001
JP	2005343339	12/2005

OTHER PUBLICATIONS

A.L.P. Lighting Components, Inc., "Guide to Lighting Retrofit", 2005, pp. 1-31.  
ALTER, "Lighting 1994-1995", 1994, pp. 1-6.  
CFI Fluorescent, "Alter Soft Lights", 1996, pp. 1-8.  
Columbia Lighting, "Stratus STR 14-2", 1998, pp. 1-9.  
Cooper Lighting, "Metalux", 1999 pp. 1-8.  
Day-Brite Lighting, "Parabolic Retrofit", Installation Instructions, No. 7-19789- 103, Oct. 15, 2008, 2 pages.  
Day-Brite Lighting, "Troffer/Parabolic Retrofit", Job Information Data, No. NA0018-TR, Aug. 1, 2008, 2 pages.  
Focal Point LLC, "Luna", 1997, pp. 1-5.  
Kwik-Change Products, "KC 2000 Series", A.L.P. Lighting Components, Inc., 2004.  
Kwik-Change Products, "KC ACR Series", A.L.P. Lighting Components, Inc., 2004.  
Kwik-Change Products, "KC RDI", A.L.P. Lighting Components, Inc., 2003.  
Kwik-Change Products, "KC-PLNAB 2-3/8" "Series", A.L.P. Lighting Components, Inc., 2002.  
Kwik-Change Products, "KC-PLTA 2 Series", A.L.P. Lighting Components, Inc. 1999.  
Kwik-Fit Products, "Kwik-Fit PLLA 1-1/2", A.L.P. Lighting Components, Inc., 1999.  
Kwik-Fit Products, "Kwik-Fit PLMA 3/4", A.L.P. Lighting Components, Inc., 1999.  
Lightolier, A Division of Genlyte/Thomas "Alter Soft Lights", 2003, pp. 1-67.  
Lithonia Lighting, an Acuity Brands Company, Architectural Fluorescent Recessed Direct/Indirect Lighting, 1999, pp. 1-13.  
Lithonia Lighting, an Acuity Brands Company, Product Selection Guide, 8th Edition 2003, pp. 1-620.  
Lithonia Lighting, an Acuity Brands Company, Direct/Indirect Lighting 2002, pp. 1-15.  
Lithonia Lighting, an Acuity Brands Company, Avante, Recessed Direct/Indirect Lighting, 1996, pp. 1-4.  
Lithonia Lighting, an Acuity Brands Company, Avante, Direct/Indirect General Lighting System, 1996, 2 pages.  
Ledalite Architectural Products, "Pure FX With Mesooptics", a Genlyte Company, 2004 pp. 1-14.  
Sylvania Lighting International, "Recessed Luminaires", Neuheiten/News, pp. 1-6

\* cited by examiner

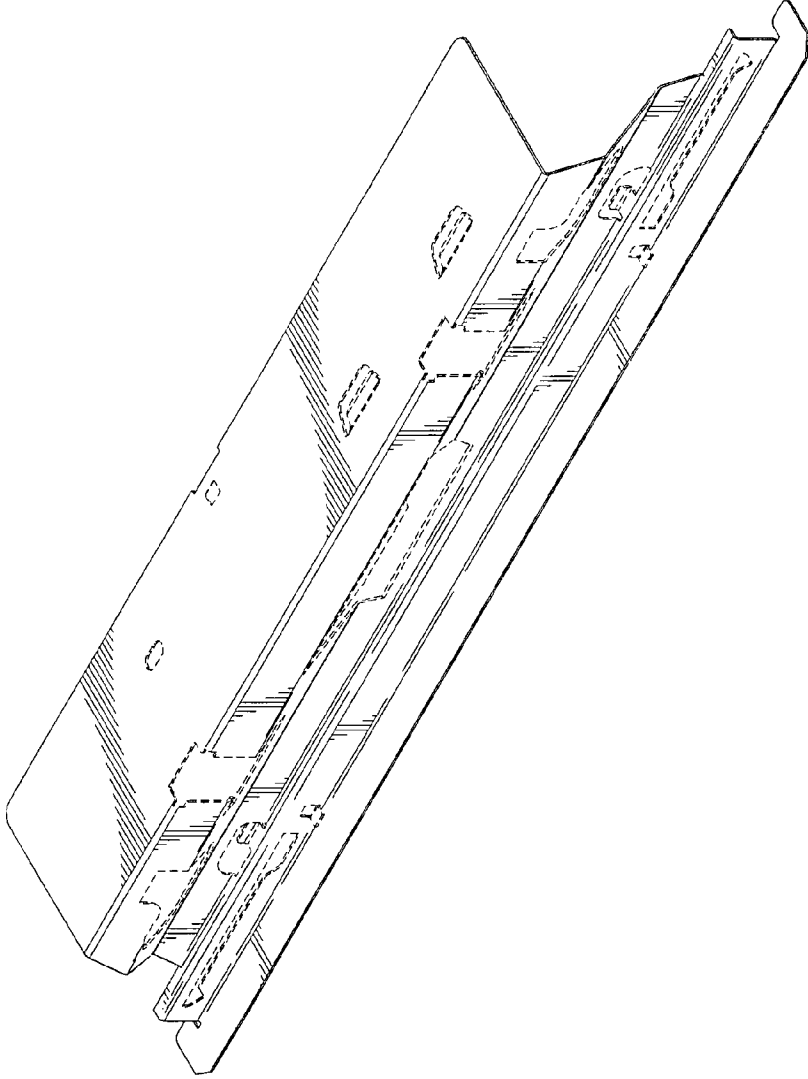


FIG. 1

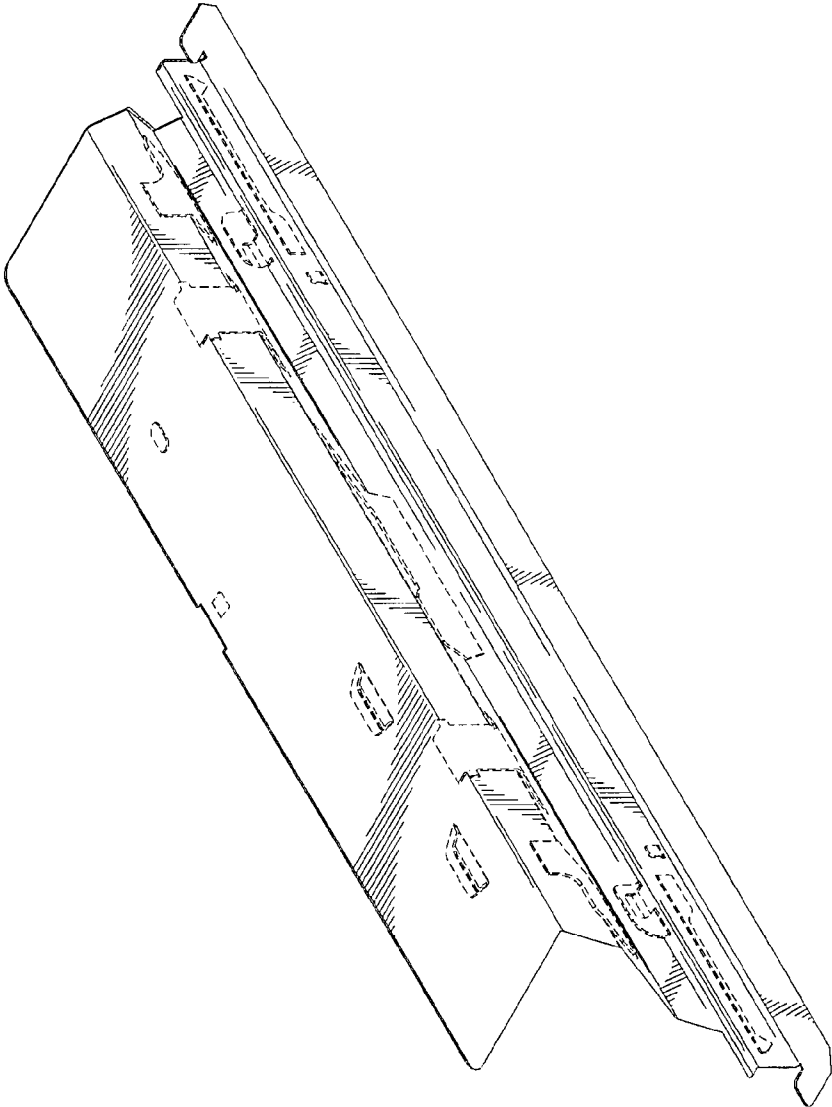


FIG. 2

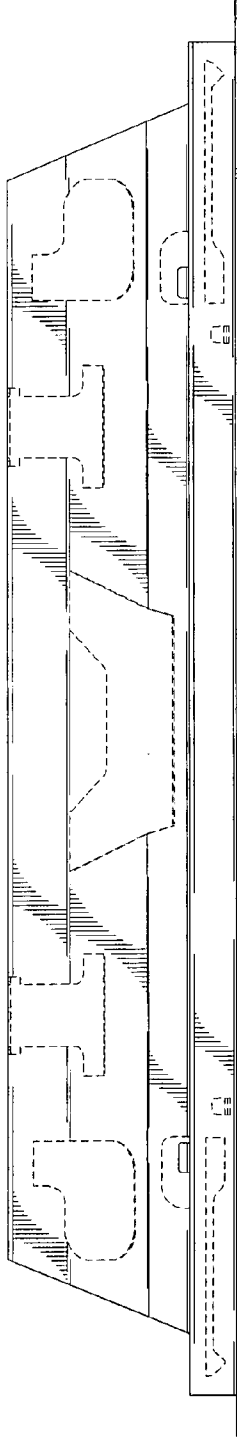


FIG. 3

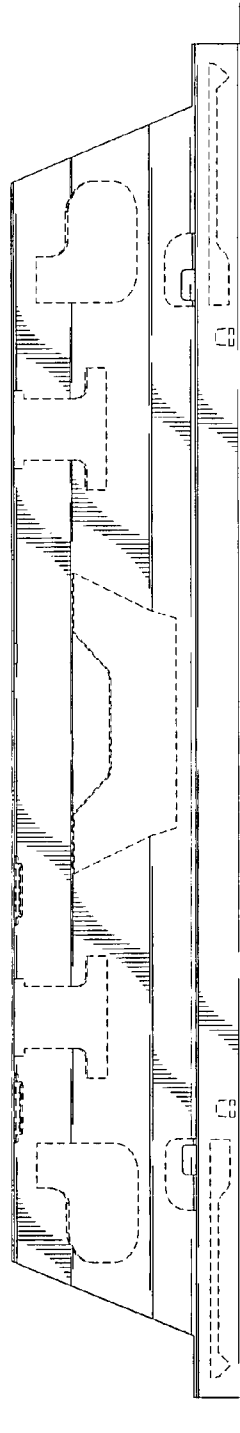


FIG. 5

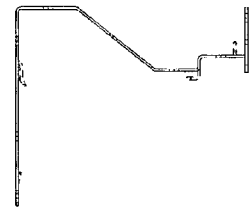


FIG. 4

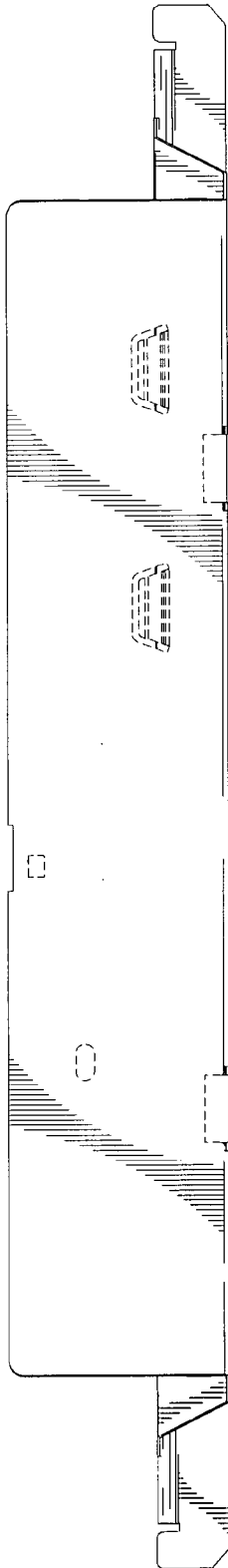


FIG. 6



FIG. 7