



US0D1015852S

(12) **United States Design Patent**
Cowell et al.

(10) **Patent No.:** **US D1,015,852 S**

(45) **Date of Patent:** **** Feb. 27, 2024**

- (54) **CARABINER**
- (71) Applicant: **TREEMAGINEERS LTD**, Pitlochry
Perth and Kinross (GB)
- (72) Inventors: **Christopher Sidney Cowell**, Pitlochry
Perth and Kinross (GB); **Elliot James
Tanner**, Montgomery (GB)
- (73) Assignee: **TREEMAGINEERS LTD**, Pitlochry
(GB)
- (**) Term: **15 Years**
- (21) Appl. No.: **29/792,542**
- (22) Filed: **Apr. 6, 2022**

D579,763	S	*	11/2008	Uehara	D8/367
D583,654	S	*	12/2008	Uehara	D8/367
D649,024	S	*	11/2011	Takazakura	D8/367
D665,655	S	*	8/2012	Ishii	D8/367
D675,806	S	*	2/2013	Caul	D2/500
D730,159	S	*	5/2015	Grimm	D8/356
D740,645	S	*	10/2015	Koreishi	D8/367
D785,316	S	*	5/2017	Grossman	D8/356
D821,090	S	*	6/2018	Case	D8/356
10,060,466	B2	*	8/2018	Kaneko	F16B 45/02
D837,635	S	*	1/2019	Petzl	D8/356
D852,609	S	*	7/2019	LeBeau	D8/356
D882,378	S	*	4/2020	Graykowski	D8/356
D892,600	S	*	8/2020	Schmitz	D8/367
D892,601	S	*	8/2020	Schmitz	D8/367
D894,718	S	*	9/2020	Kramer	D8/356
D902,009	S	*	11/2020	Yang	D8/356
D933,462	S	*	10/2021	Zunzunegui	D8/367
D977,948	S	*	2/2023	Graykowski	D8/356
2006/0179784	A1	*	8/2006	Chen	F16B 45/00 52/698

(30) **Foreign Application Priority Data**

Oct. 13, 2021 (GB) 6169829

(51) **LOC (14) Cl.** **09-06**

(52) **U.S. Cl.**
USPC **D8/356**

(58) **Field of Classification Search**
USPC D8/356, 354, 349, 367; D3/207
CPC B65H 57/16; B63B 21/045; A63B 29/08;
A63B 27/02

See application file for complete search history.

(56) **References Cited**

U.S. PATENT DOCUMENTS

D342,665	S	*	12/1993	Rekuc	D8/367
D348,385	S	*	7/1994	Krauss	D8/367
D355,585	S	*	2/1995	Terada	D8/367
D391,694	S	*	3/1998	Eichhorn	119/784
D391,840	S	*	3/1998	Striebel	D8/367
D394,202	S	*	5/1998	Anscher	D8/367
D402,189	S	*	12/1998	Izumi	D8/382
D491,049	S	*	6/2004	Kung	D8/367

(Continued)

Primary Examiner — Cynthia R Underwood

(74) *Attorney, Agent, or Firm* — NIXON &
VANDERHYE

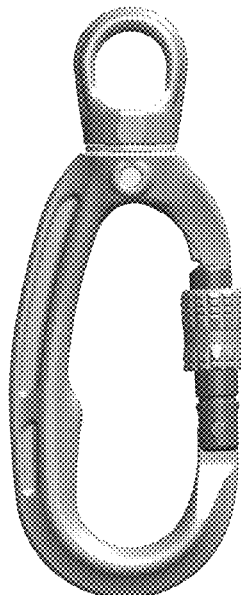
(57) **CLAIM**

The ornamental design for a carabiner, as shown and described.

DESCRIPTION

FIG. 1 is a front elevation view of a carabiner showing the new design;
FIG. 2 is a right side elevation view thereof;
FIG. 3 is a left side elevation view thereof;
FIG. 4 is a rear elevation view thereof;
FIG. 5 is a top plan view thereof;
FIG. 6 is a bottom plan view thereof; and,
FIG. 7 is a top, front, and left side perspective view thereof.

1 Claim, 7 Drawing Sheets



(56)

References Cited

U.S. PATENT DOCUMENTS

2014/0245576 A1* 9/2014 Perner F16B 45/02
24/600.1
2015/0231423 A1* 8/2015 Perner A62B 35/0037
24/518
2016/0361578 A1* 12/2016 Casebolt A62B 35/0075

* cited by examiner

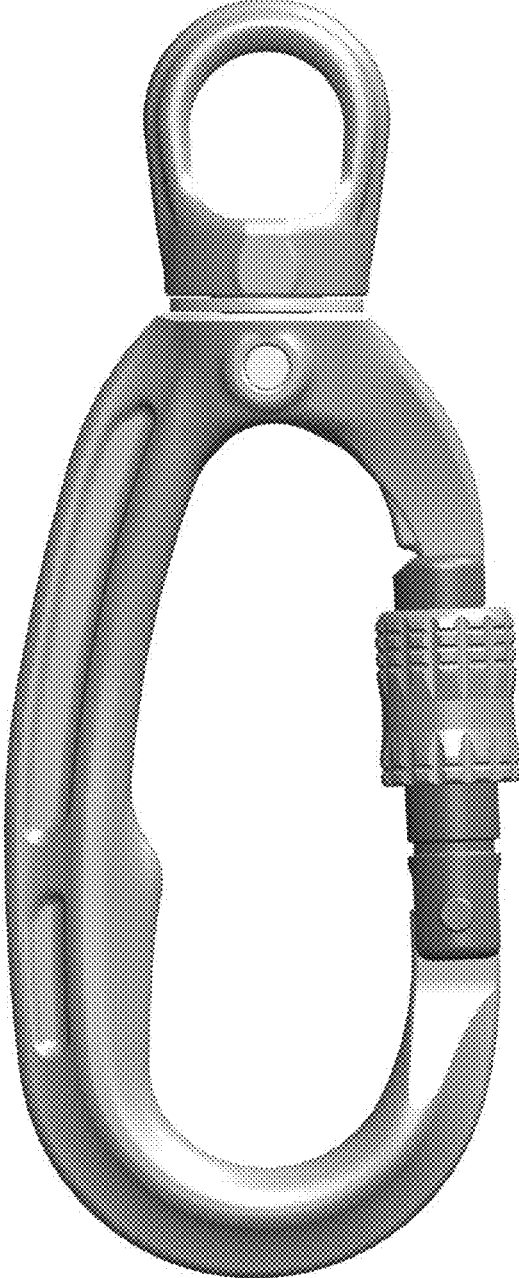


FIG. 1

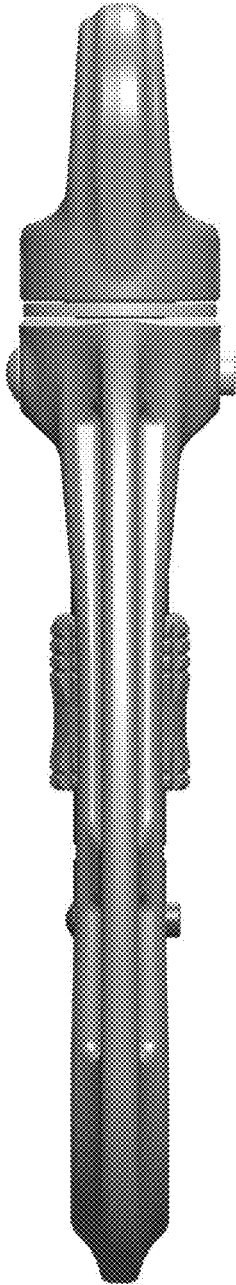


FIG. 2



FIG. 3

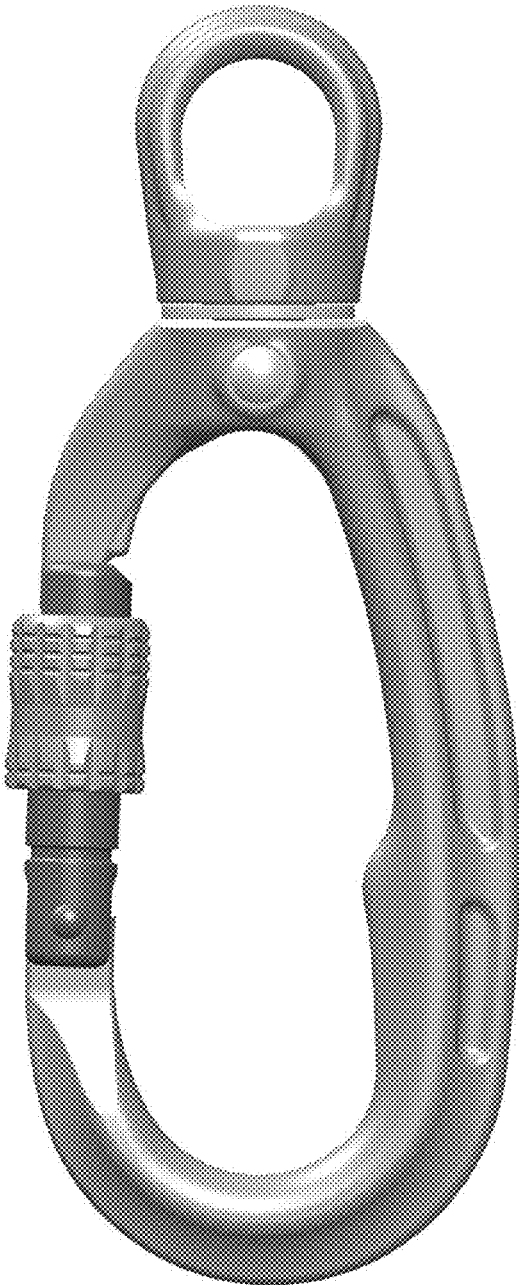


FIG. 4

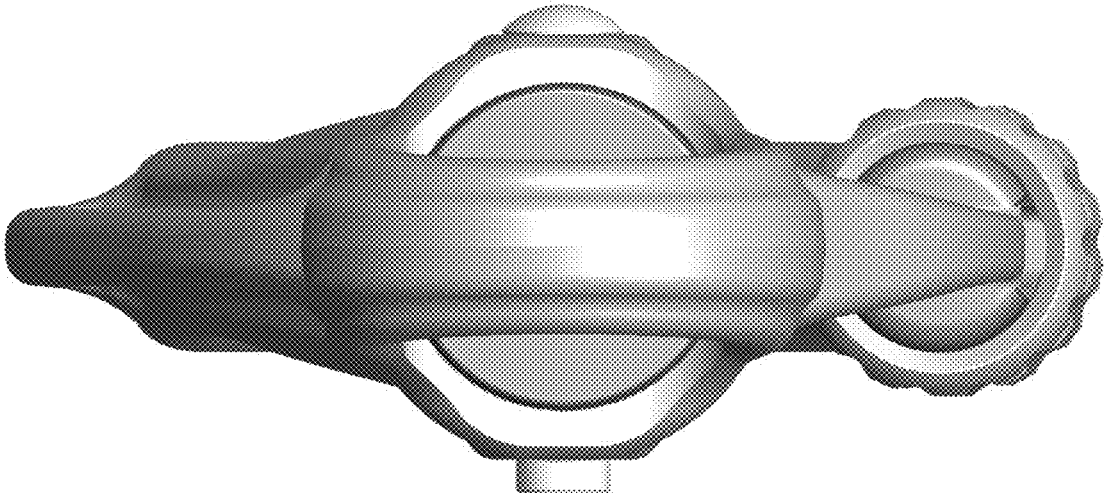


FIG. 5

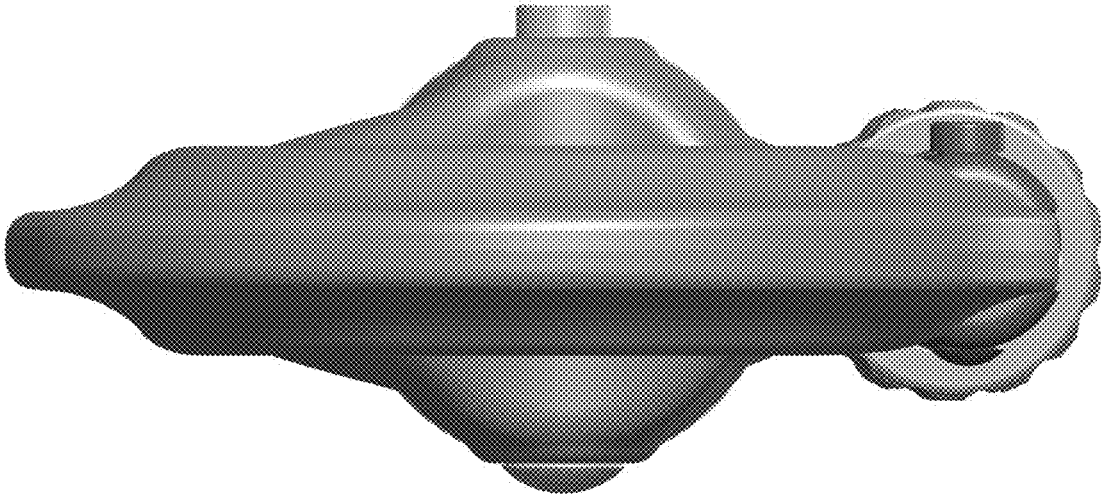


FIG. 6

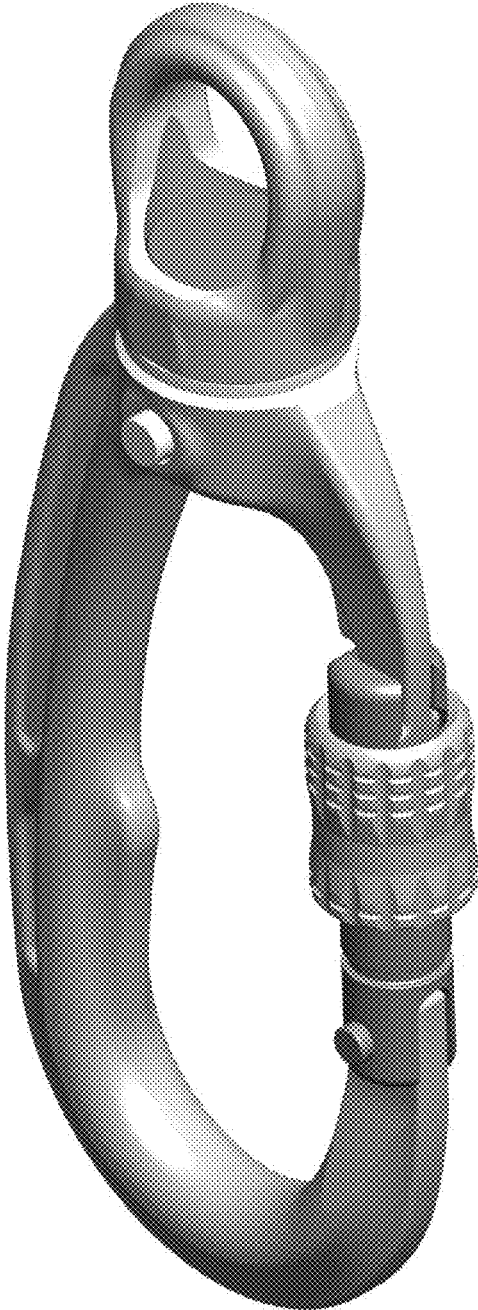


FIG. 7