



US00D511937S

(12) **United States Design Patent**
Liu

(10) **Patent No.:** **US D511,937 S**

(45) **Date of Patent:** **** Nov. 29, 2005**

(54) **DRINKING CUP WITH BOTTOM ATTACH HANDLE**

(75) Inventor: **Yiu Ching Liu**, Lake Oswego, OR (US)

(73) Assignee: **Pacific Cornetta, Inc.**, Wilsonville, OR (US)

(**) Term: **14 Years**

(21) Appl. No.: **29/195,933**

(22) Filed: **Dec. 17, 2003**

(51) **LOC (8) Cl.** **07-01**

(52) **U.S. Cl.** **D7/533; D7/536**

(58) **Field of Search** 220/574, 710.5, 220/301, 295, 713, 715, 714, 711, 717, 719; 248/346.11; 206/520; 229/400, 403; D7/511, 510, 536, 533, 523, 532, 622, 509, 507; D10/46.2; D9/446, 447; 222/482; 215/11.4, 11.1, 396, 354, 387, 902, DIG. 7; D24/197

(56) **References Cited**

U.S. PATENT DOCUMENTS

2,895,636	A	*	7/1959	Martin	220/574
D194,053	S	*	11/1962	Cornellus	D7/536
3,224,629	A	*	12/1965	Cummings	220/710.5
D203,402	S	*	1/1966	Winblad	D7/536
D215,747	S	*	10/1969	Ketcham	D7/533
D225,076	S	*	11/1972	Persson	D7/533
D238,647	S	*	2/1976	Gulotta	D7/536

D288,397	S	*	2/1987	Unger	D7/536
D288,884	S	*	3/1987	Hill	D7/533
D302,634	S	*	8/1989	Segal	D7/536
D382,173	S	*	8/1997	Cogswell	D7/507
D459,948	S	*	7/2002	Cote et al.	D7/536
D464,234	S	*	10/2002	Miller	D7/536
6,511,031	B2	*	1/2003	Lin	248/346.11
D474,939	S	*	5/2003	De Neubourg	D7/536
D479,692	S	*	9/2003	Nilsson	D10/46.2
D482,572	S	*	11/2003	Mountain	D7/536

* cited by examiner

Primary Examiner—M. N. Pandozzi

(74) *Attorney, Agent, or Firm*—Steven J. Adamson

(57) **CLAIM**

I claim the ornamental design for a drinking cup with bottom attach handle, substantially as shown and described.

DESCRIPTION

FIG. 1 is a perspective view of a drinking cup with bottom attach handle showing my new design;
 FIG. 2 is a right side elevational view thereof;
 FIG. 3 is a left side elevational view thereof;
 FIG. 4 is a rear elevational view thereof;
 FIG. 5 is a top plan view thereof;
 FIG. 6 is a bottom plan view thereof;
 FIG. 7 is a top plan view showing a second embodiment of my new design; and,
 FIG. 8 is a perspective view thereof.
 The broken lines in the drawings are for illustrative purposes only and form no part of the claimed design.

1 Claim, 2 Drawing Sheets

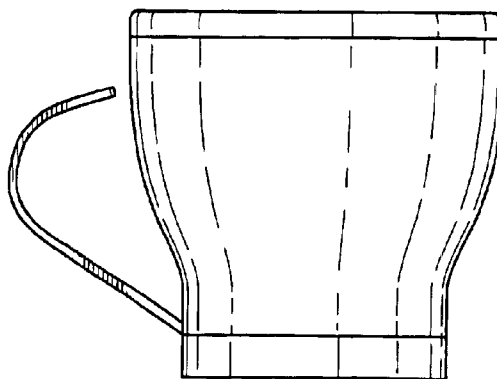
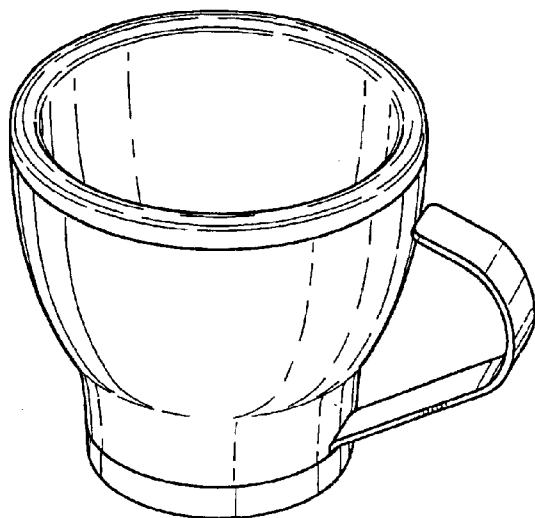


Fig. 1

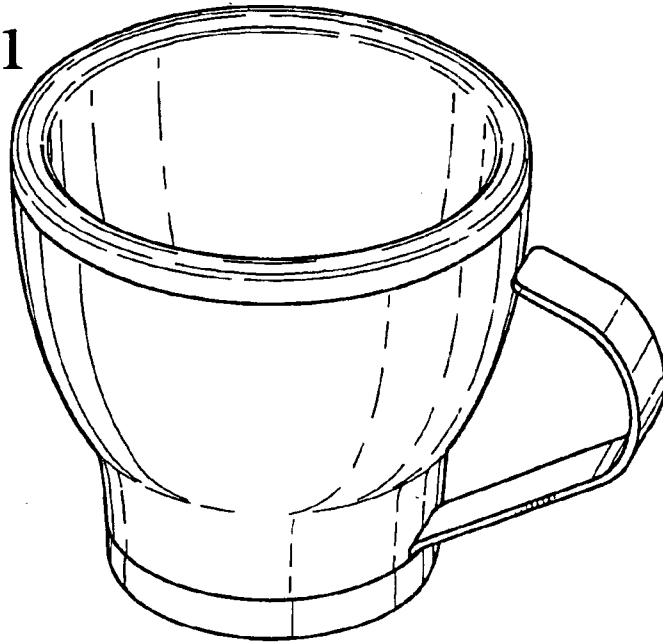


Fig. 2

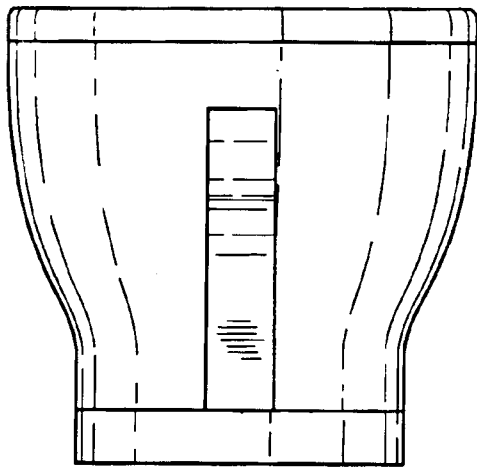


Fig. 3

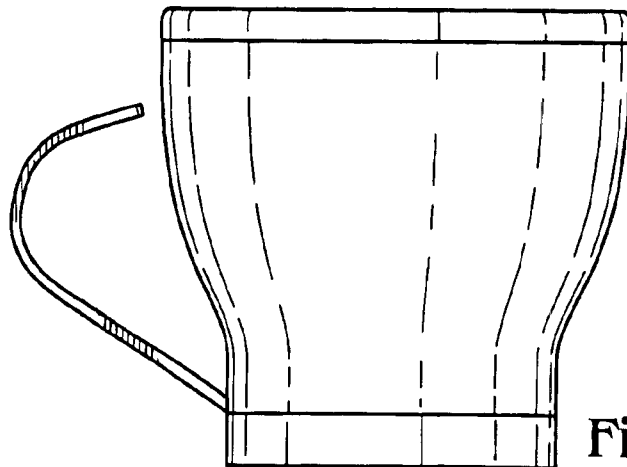
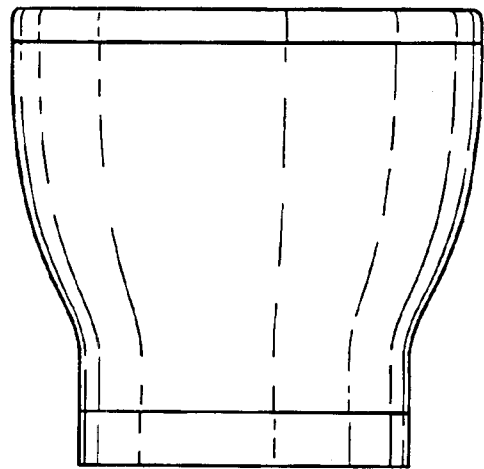


Fig. 4

Fig. 5

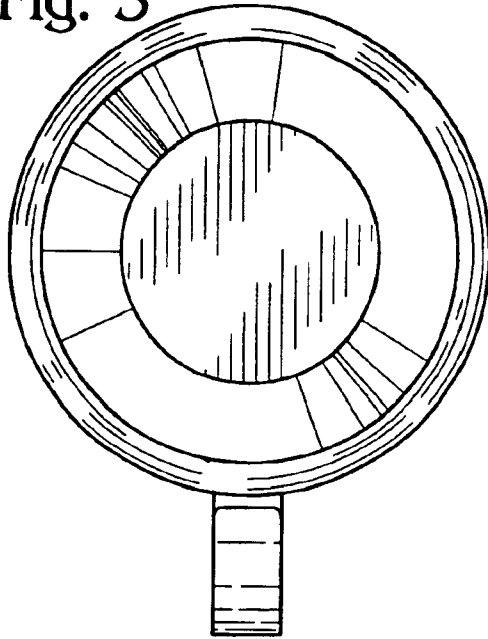


Fig. 6

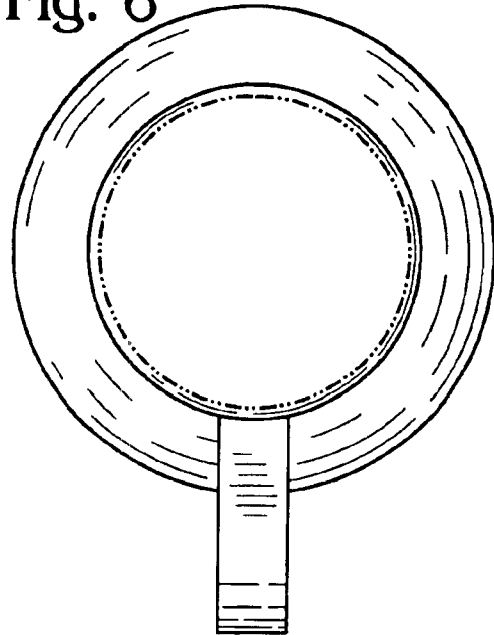


Fig. 7

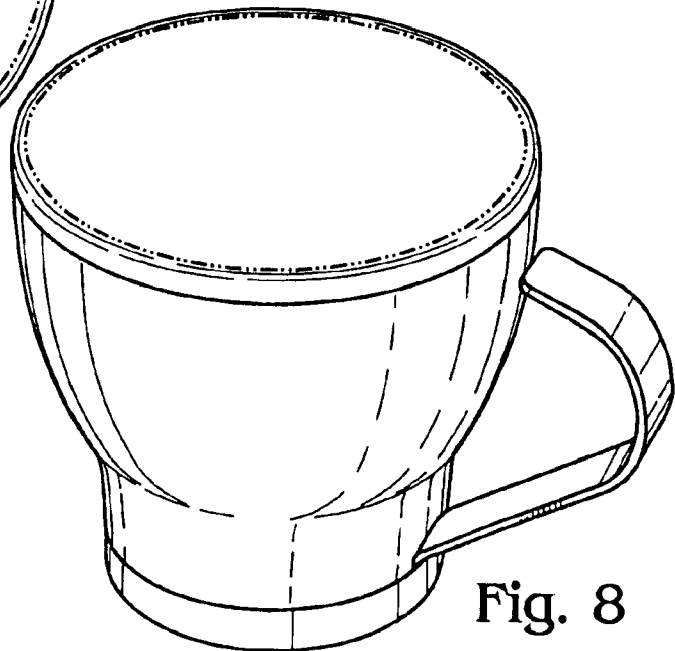
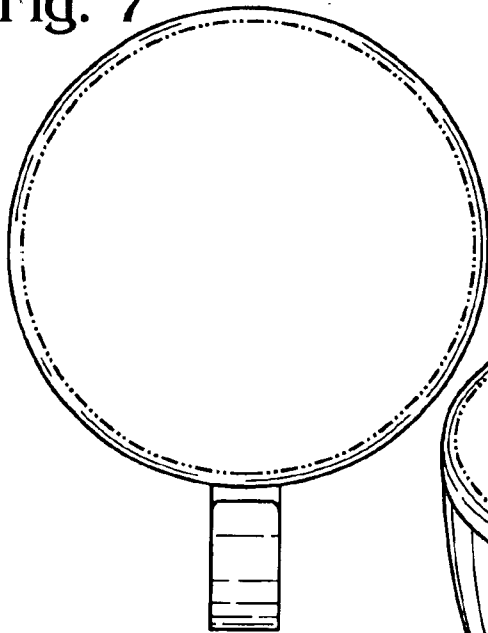


Fig. 8