



US00D719632S

(12) **United States Design Patent**
Lau

(10) **Patent No.:** **US D719,632 S**

(45) **Date of Patent:** **** Dec. 16, 2014**

(54) **RAIL COVER**

(71) Applicant: **Ping Sun Lau**, Hong Kong (HK)

(72) Inventor: **Ping Sun Lau**, Hong Kong (HK)

(**) Term: **14 Years**

(21) Appl. No.: **29/468,708**

(22) Filed: **Oct. 2, 2013**

(51) **LOC (10) CI.** **22-01**

(52) **U.S. CI.**
USPC **D22/108**

(58) **Field of Classification Search**
USPC D22/108; 89/37.03-37.04, 41.17;
42/90, 85, 106, 113-114, 124-128;
248/201, 205.1

See application file for complete search history.

(56) **References Cited**

U.S. PATENT DOCUMENTS

6,725,594 B2 * 4/2004 Hines 42/90
6,782,652 B1 * 8/2004 Erickson 42/143
D625,378 S * 10/2010 Fitzpatrick et al. D22/108

7,971,383 B2 * 7/2011 Fitzpatrick et al. 42/96
D667,917 S * 9/2012 Fitzpatrick et al. D22/108
D668,731 S * 10/2012 Fitzpatrick et al. D22/108
D676,920 S * 2/2013 Fitzpatrick et al. D22/108
2010/0236124 A1 * 9/2010 Troy 42/90
2012/0085013 A1 * 4/2012 Cahill 42/96

* cited by examiner

Primary Examiner — Michael A Pratt

(74) *Attorney, Agent, or Firm* — Novocclaims Patent Services
LLC; Mei Lin Wong

(57) **CLAIM**

The ornamental design for a rail cover, as shown and described.

DESCRIPTION

FIG. 1 is a perspective view of a rail cover showing my new design.

FIG. 2 is a front view thereof.

FIG. 3 is a rear view thereof.

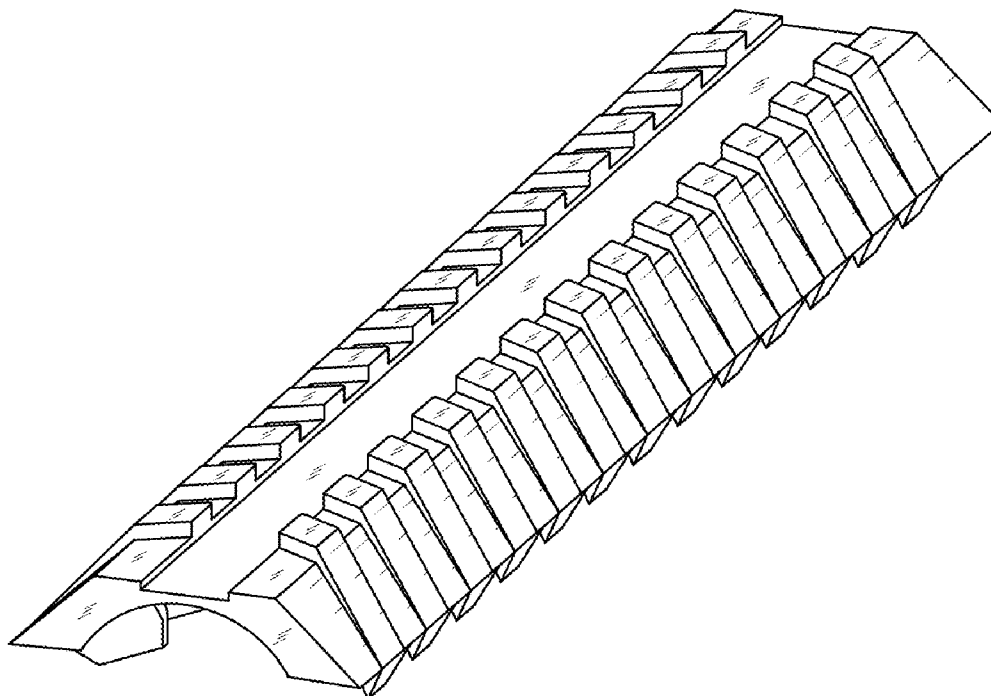
FIG. 4 is a right end view thereof.

FIG. 5 is a left end view thereof.

FIG. 6 is a top view thereof; and,

FIG. 7 is a bottom view thereof.

1 Claim, 6 Drawing Sheets



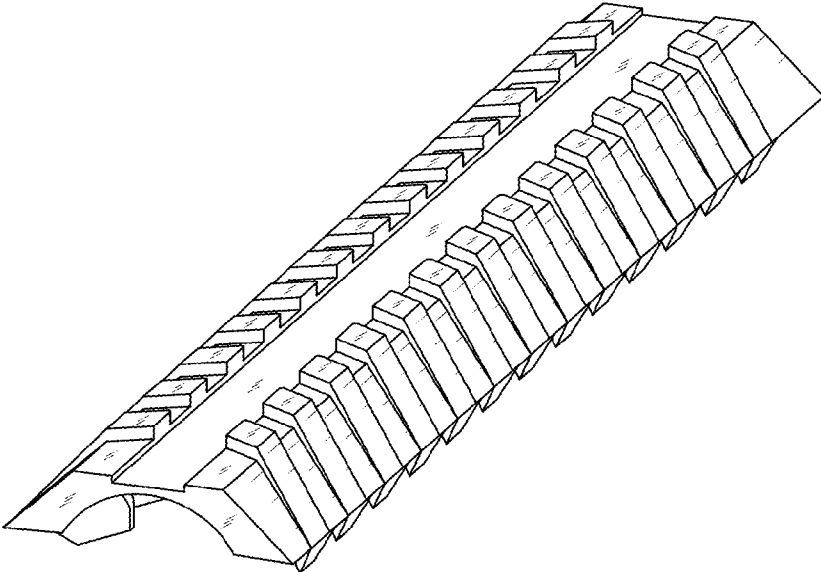


FIG.1

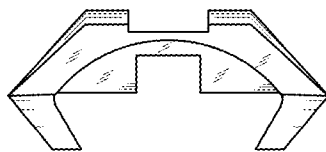


FIG. 2

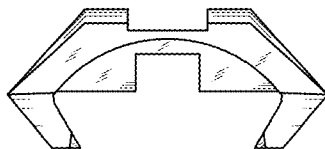


FIG. 3

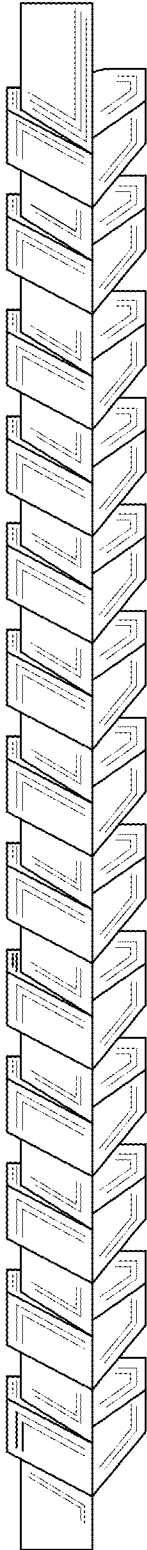


FIG.4

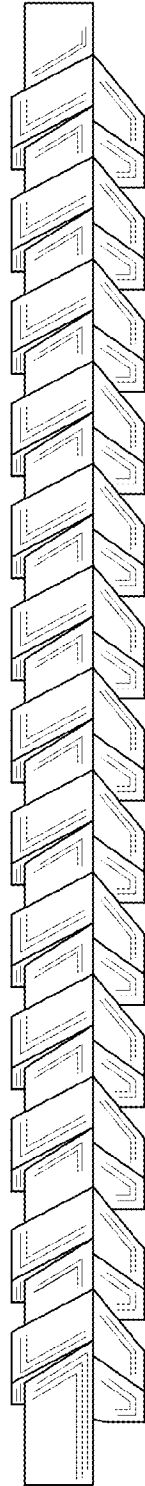


FIG.5

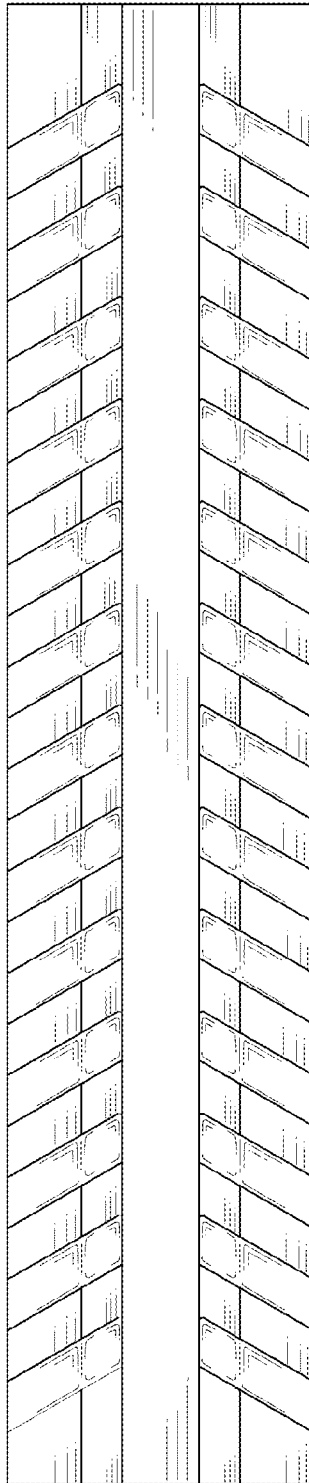


FIG.6

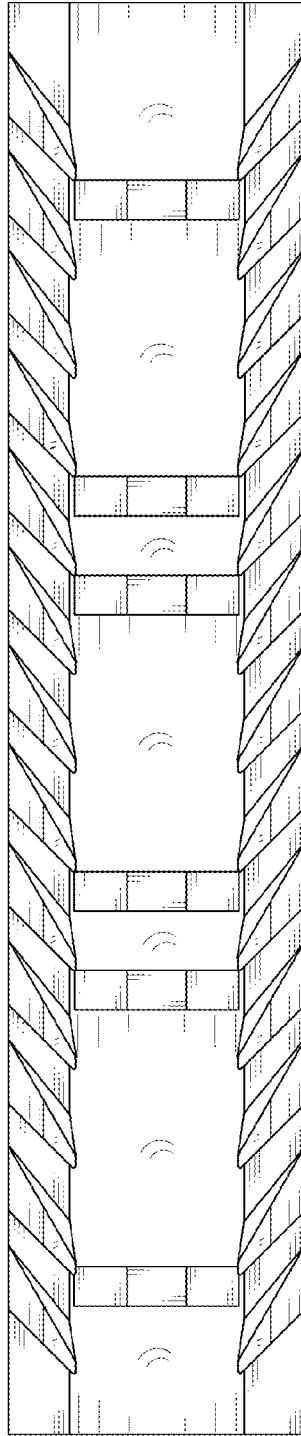


FIG.7