



US00D904981S

(12) **United States Design Patent**  
**Worthy**

(10) **Patent No.:** **US D904,981 S**

(45) **Date of Patent:** **\*\* Dec. 15, 2020**

(54) **PULSATING ELECTROMAGNETIC FIELD GENERATOR**

(71) Applicant: **Robbie Lemar Worthy**, Albuquerque, NM (US)

(72) Inventor: **Robbie Lemar Worthy**, Albuquerque, NM (US)

(\*\*) Term: **15 Years**

(21) Appl. No.: **29/678,361**

(22) Filed: **Jan. 28, 2019**

(51) **LOC (12) Cl.** ..... **13-02**

(52) **U.S. Cl.**  
USPC ..... **D13/110; D24/200**

(58) **Field of Classification Search**  
USPC ..... D13/110-118, 122, 133, 146, 147, 153, D13/154, 184, 199, 107, 108; D24/187, D24/200, 231; D14/203.1, 216, 228, 253, D14/434, 496  
CPC ..... H01R 13/00; H01R 13/424; H01R 13/64; H01R 4/00; H01R 11/00; H01R 31/06; H01R 24/38; H02J 3/38; H02J 7/0042; H02J 7/0045; H02J 7/0052  
See application file for complete search history.

(56) **References Cited**

**U.S. PATENT DOCUMENTS**

6,261,221 B1 *	7/2001	Tepper	.....	A61N 2/02
				600/13
D718,236 S *	11/2014	Murray	.....	D13/108
D757,014 S *	5/2016	Hahn	.....	D14/434
D759,257 S *	6/2016	Chen	.....	D24/200
D784,963 S *	4/2017	Saule	.....	D14/228
D795,182 S *	8/2017	Akana	.....	D13/108
D803,410 S *	11/2017	Im	.....	D24/187
D810,952 S *	2/2018	Hsu	.....	D24/200

D825,549 S *	8/2018	Lebovitz	.....	D14/253
D839,191 S *	1/2019	Akana	.....	D13/108
D850,370 S *	6/2019	Lee	.....	D13/108
D855,193 S *	7/2019	Levi	.....	D24/200
D855,567 S *	8/2019	Cai	.....	D13/108
D861,602 S *	10/2019	Feng	.....	D13/108
D862,715 S *	10/2019	Wang	.....	D24/200
D869,391 S *	12/2019	Roberts	.....	D13/108
D875,678 S *	2/2020	Kim	.....	D13/108
D876,400 S *	2/2020	Russo	.....	D14/228
D878,325 S *	3/2020	Paterson	.....	D14/203.1
D883,329 S *	5/2020	Shi	.....	D14/496
D886,736 S *	6/2020	Worthy	.....	D13/110
D888,024 S *	6/2020	Li	.....	D14/228
D888,687 S *	6/2020	Xu	.....	D14/216

\* cited by examiner

*Primary Examiner* — Catherine S Posthauer  
*Assistant Examiner* — Alison M Ofstun

(57) **CLAIM**

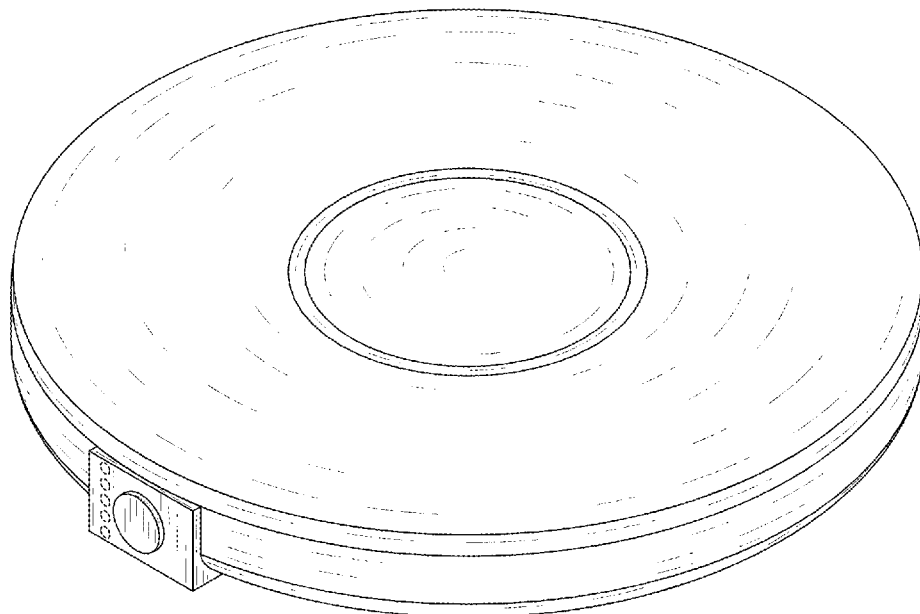
The ornamental design for a pulsating electromagnetic field generator, as shown and described.

**DESCRIPTION**

FIG. 1 is a top front perspective view of a pulsating electromagnetic field generator showing my new design; FIG. 2 is a bottom front perspective view thereof; FIG. 3 is a top rear perspective view thereof; FIG. 4 is a bottom rear perspective view thereof; FIG. 5 is a front view thereof; FIG. 6 is a rear view thereof; FIG. 7 is a left side view thereof; FIG. 8 is a right side view thereof; FIG. 9 is a top view thereof; and, FIG. 10 is a bottom view thereof.

In the drawings, the broken lines illustrate portions of the article which form no part of the claimed design.

**1 Claim, 10 Drawing Sheets**



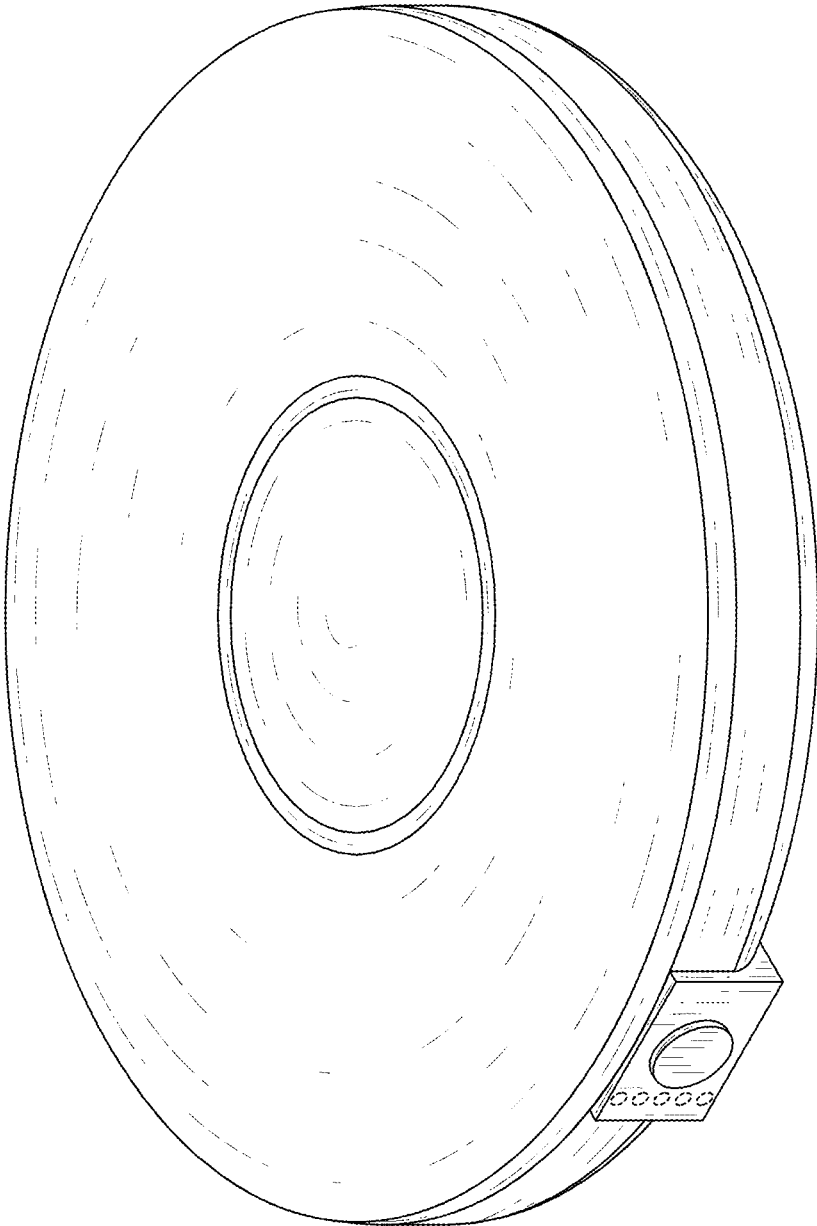


FIG 1

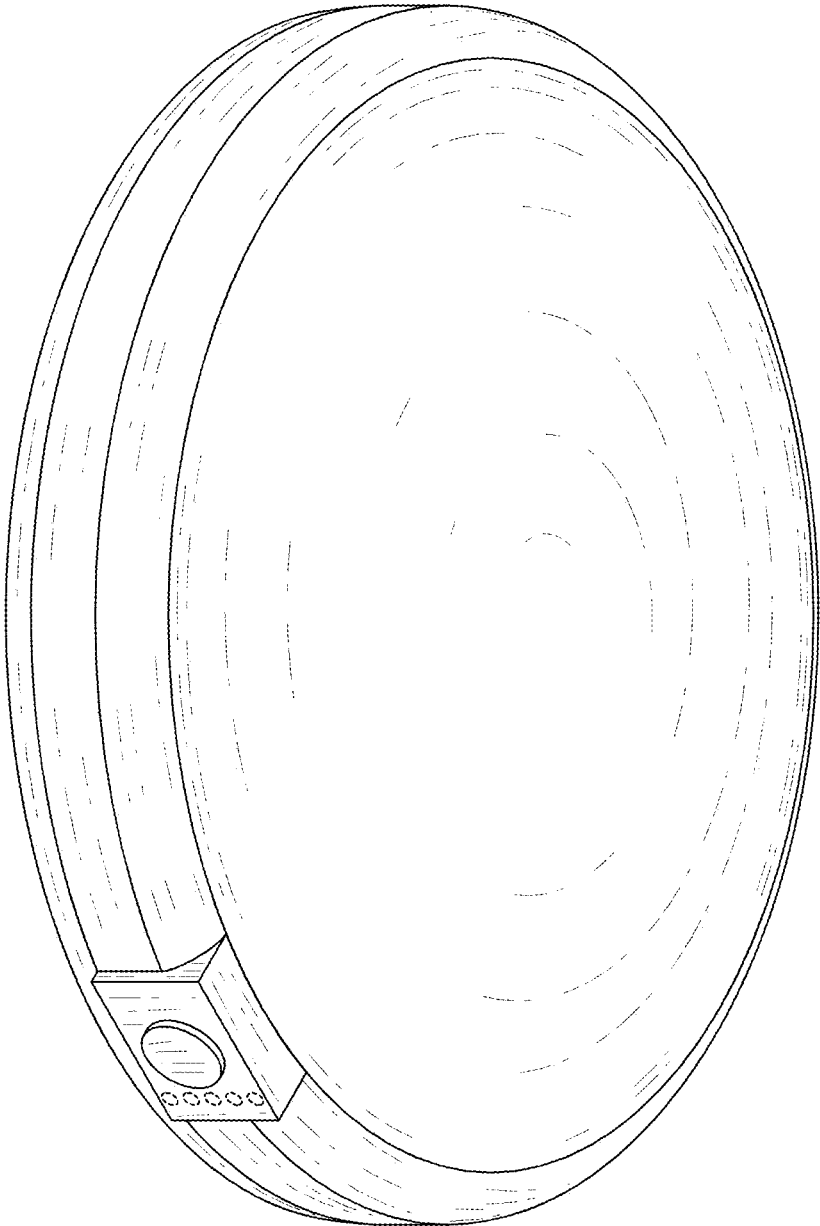


FIG 2

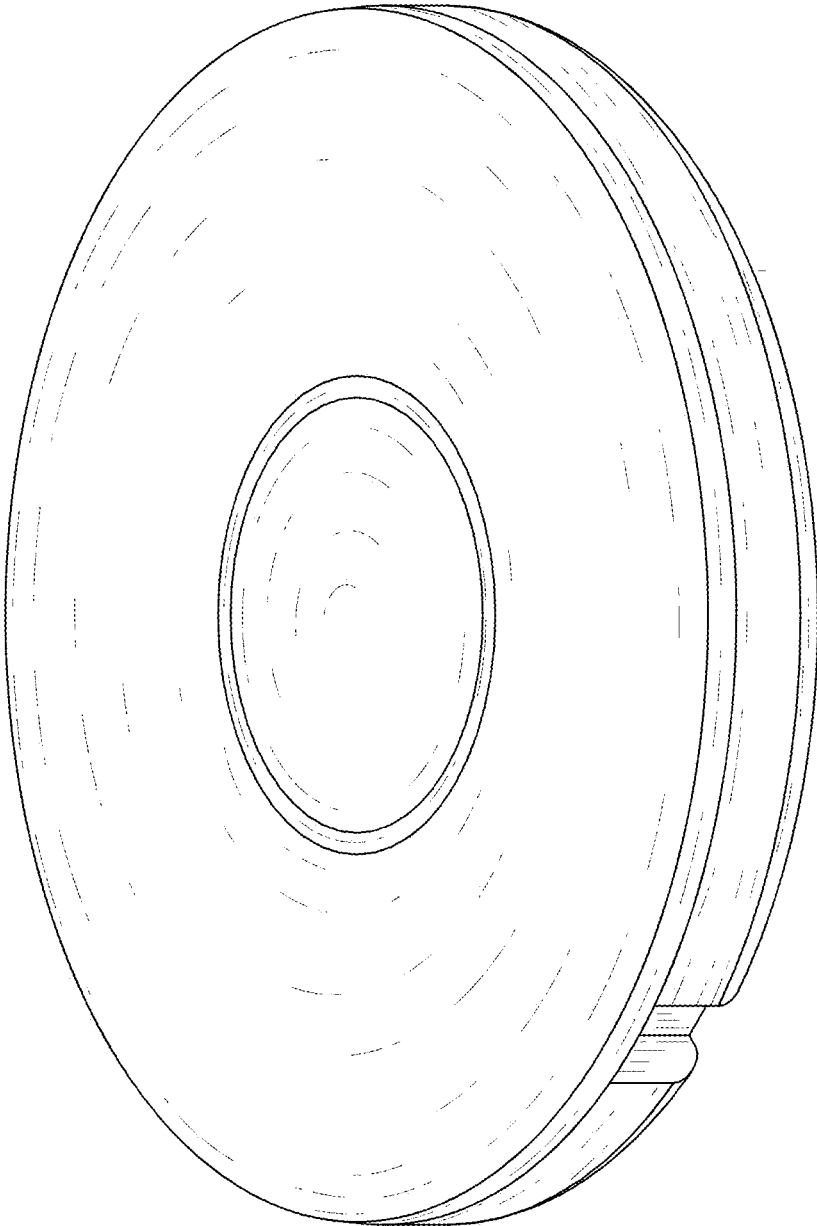


FIG 3

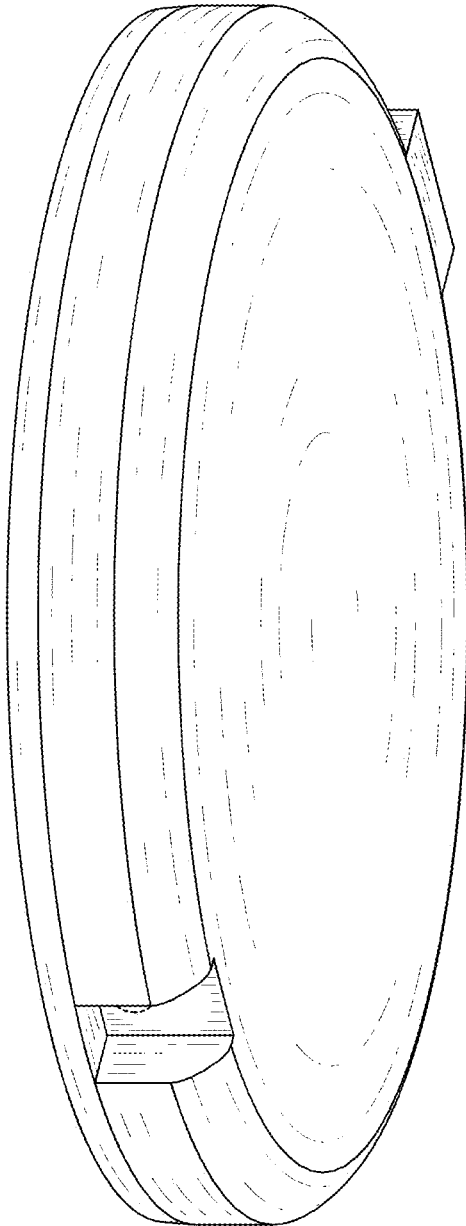


FIG 4

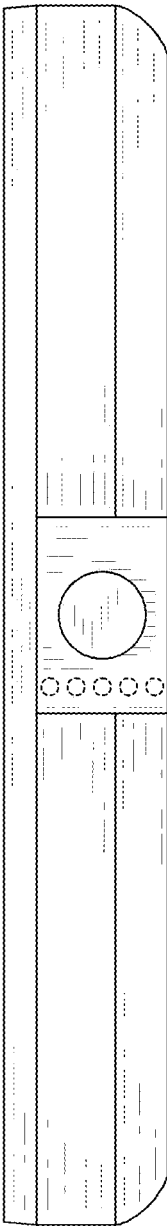


FIG 5

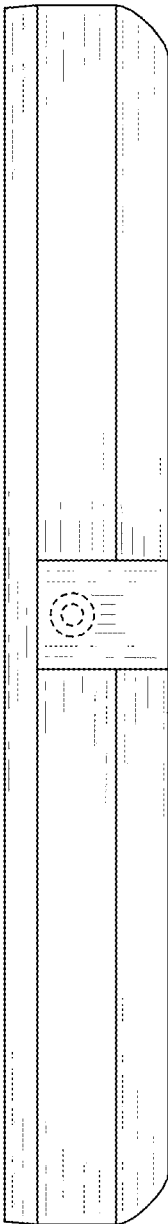


FIG 6

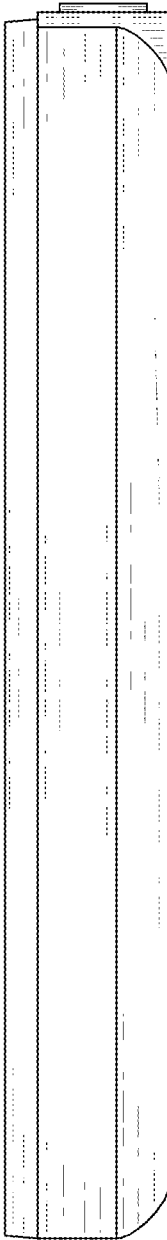


FIG 7



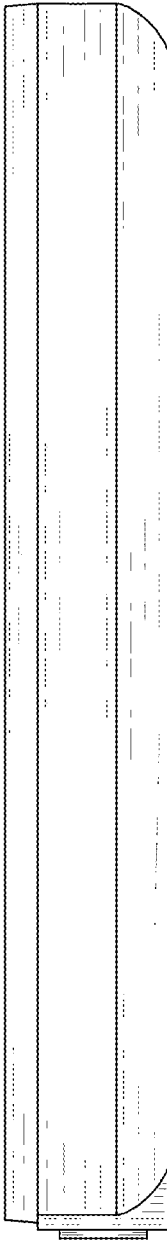


FIG 8

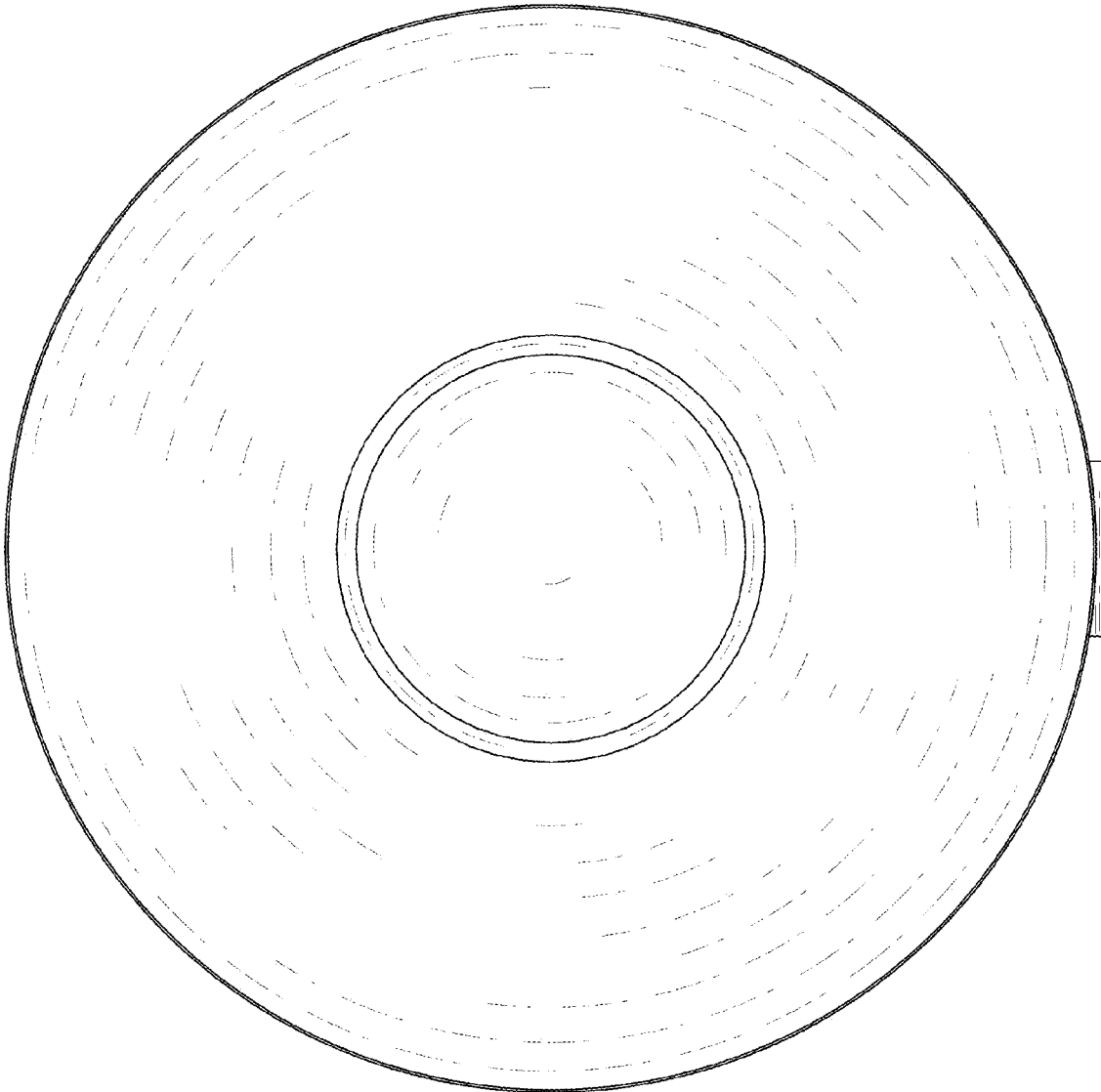


FIG 9

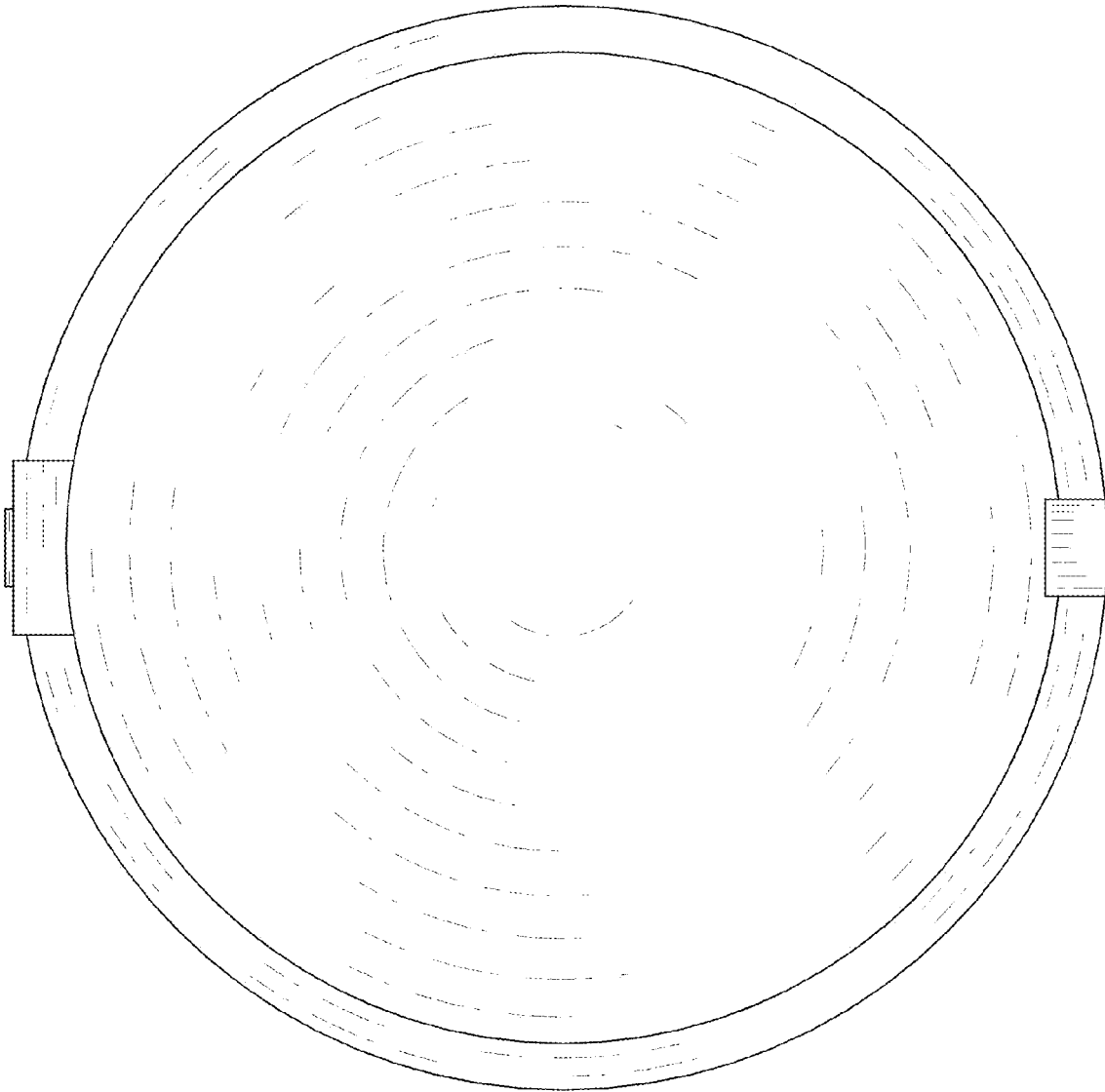


FIG 10