



US00D735630S

(12) **United States Design Patent**
Swanseger

(10) **Patent No.:** **US D735,630 S**

(45) **Date of Patent:** **** Aug. 4, 2015**

(54) **VEHICLE WHEEL**

(71) Applicant: **GM Global Technology Operations LLC, Detroit, MI (US)**

(72) Inventor: **Casey Swanseger, Lake Orion, MI (US)**

(73) Assignee: **GM GLOBAL TECHNOLOGY OPERATIONS LLC, Detroit, MI (US)**

(**) Term: **14 Years**

(21) Appl. No.: **29/441,622**

(22) Filed: **Jan. 8, 2013**

(51) **LOC (10) Cl.** **12-16**

(52) **U.S. Cl.**
USPC **D12/209**

(58) **Field of Classification Search**
USPC D12/204–213
CPC B60B 7/00; B60B 7/02; B60B 7/04;
B60B 7/01; B60B 7/06; B60B 3/02; B60B
3/04; B60B 3/06; B60B 3/10; B60B 1/00;
B60B 1/08; B60B 1/10; B60B 1/12
See application file for complete search history.

(56) **References Cited**

U.S. PATENT DOCUMENTS

D353,571	S	*	12/1994	Braungart et al.	D12/211
D394,838	S	*	6/1998	Suprihanto	D12/211
D395,270	S	*	6/1998	Baumgartner et al.	D12/211
D398,898	S	*	9/1998	Baumgartner et al.	D12/211

D405,409	S	*	2/1999	Baumgartner	D12/211
D406,092	S	*	2/1999	Baumgartner	D12/211
D430,526	S	*	9/2000	Fitzgerald	D12/211
D523,799	S	*	6/2006	Ianniello	D12/209
D541,202	S	*	4/2007	Baumgartner	D12/211
D553,069	S	*	10/2007	Ettensberger	D12/211
D595,632	S	*	7/2009	Hernandez	D12/211
D606,922	S	*	12/2009	Thorsten	D12/211
D622,196	S	*	8/2010	Gallert	D12/209
D622,199	S	*	8/2010	Gallert	D12/211
D642,105	S	*	7/2011	Chung	D12/209
D660,769	S	*	5/2012	Pollmann	D12/211
D718,203	S	*	11/2014	Whyte	D12/209
D726,621	S	*	4/2015	Alfonso	D12/209

* cited by examiner

Primary Examiner — Stacia Cadmus

(74) *Attorney, Agent, or Firm* — Mickki D. Murray; Parks Wood LLC

(57) **CLAIM**

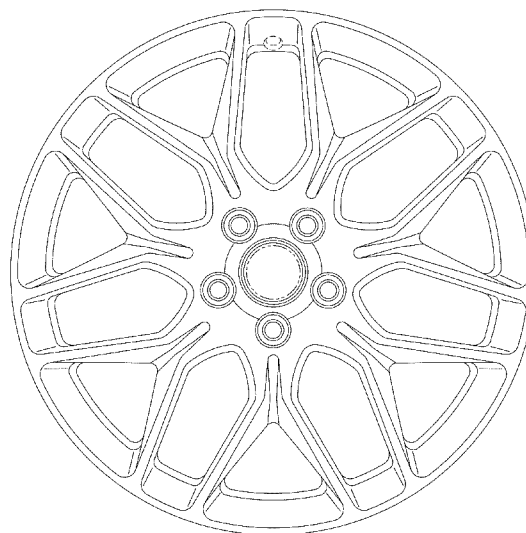
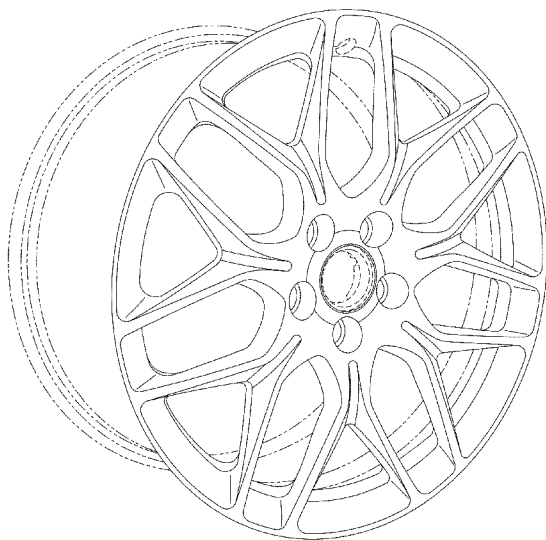
The ornamental design for a vehicle wheel, as shown and described.

DESCRIPTION

FIG. 1 is a perspective view of a vehicle wheel, from a first vantage, showing the new design;
FIG. 2 is a perspective view of a vehicle wheel, from a second vantage, thereof;
FIG. 3 is a front view, thereof; and,
FIG. 4 is a rear view, thereof.

In the figures, features shown by broken lines are for illustrative purposes only and form no part of the claimed design.

1 Claim, 4 Drawing Sheets



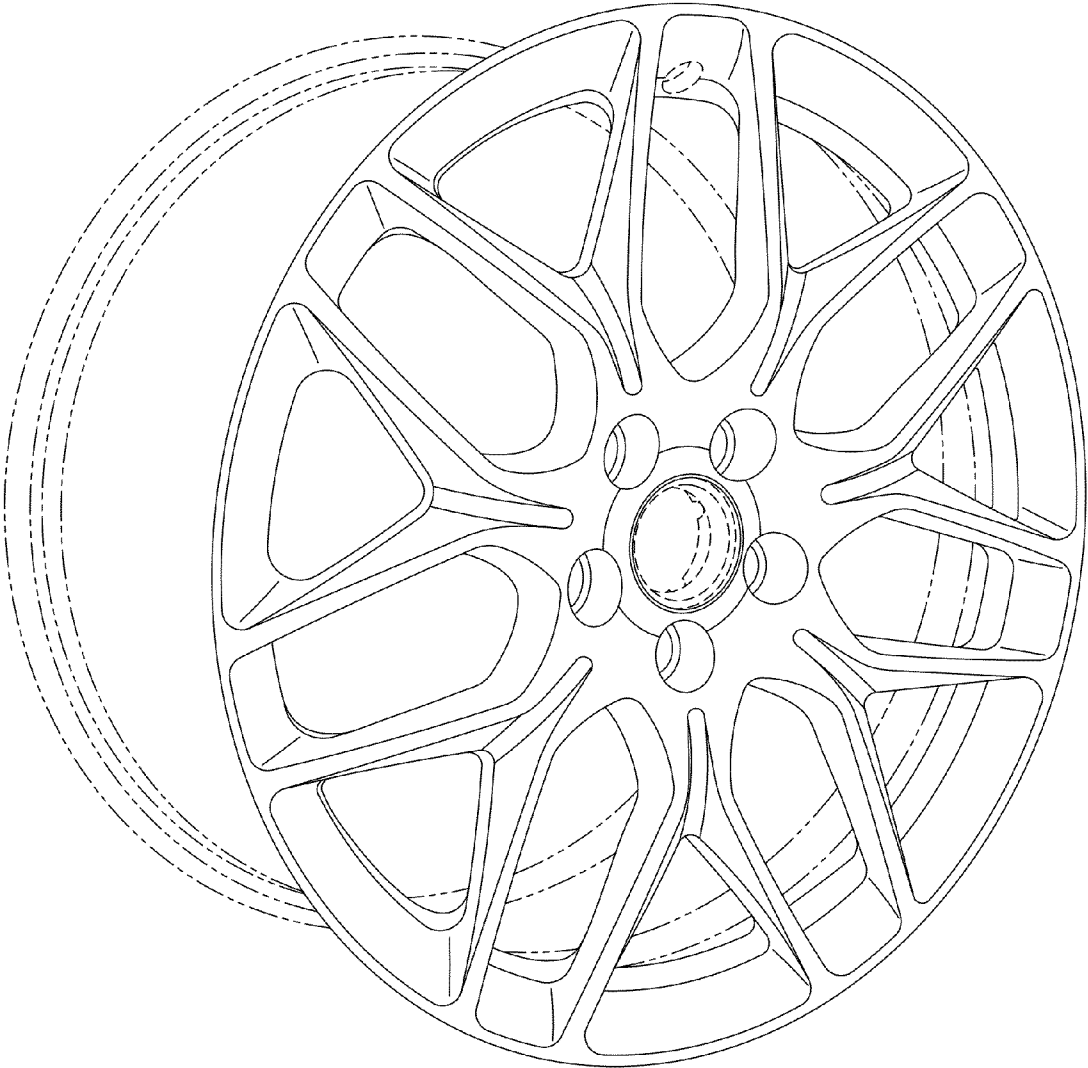


Fig-1

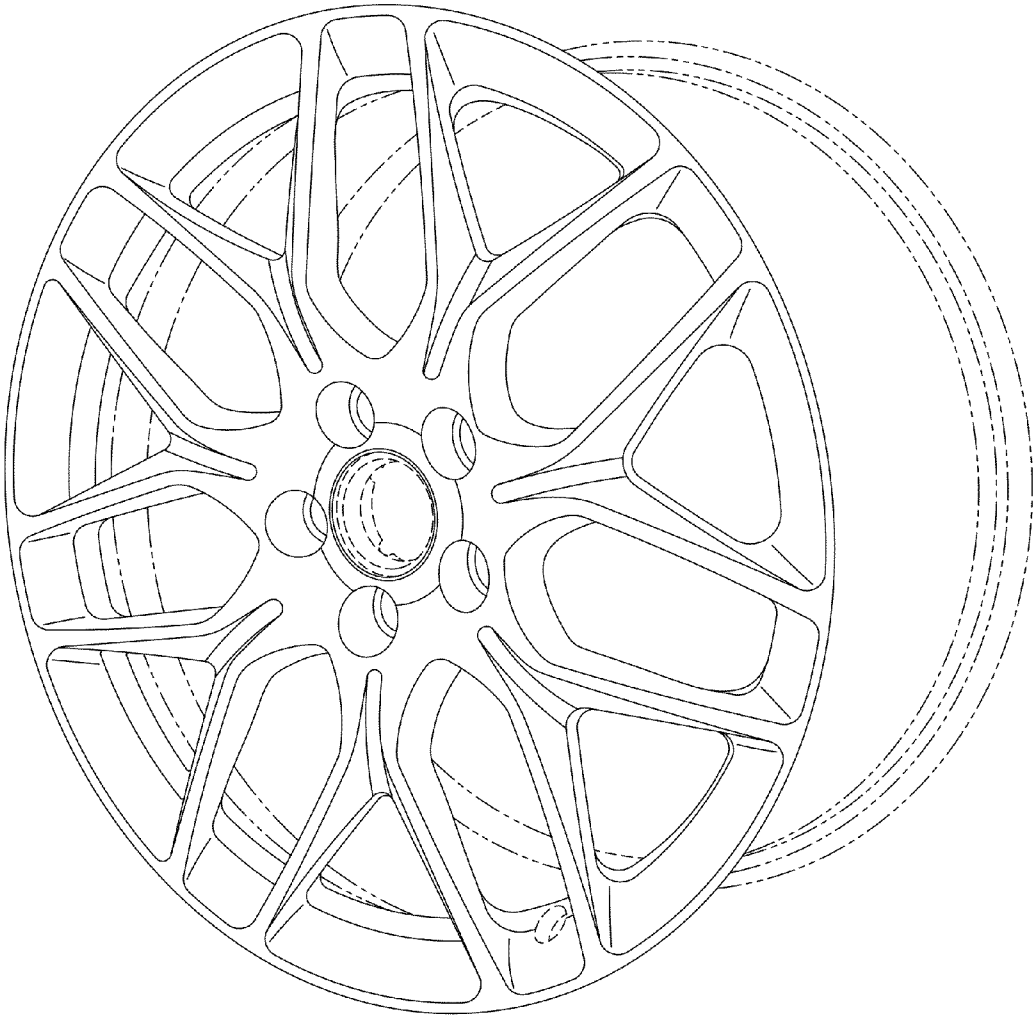


Fig-2

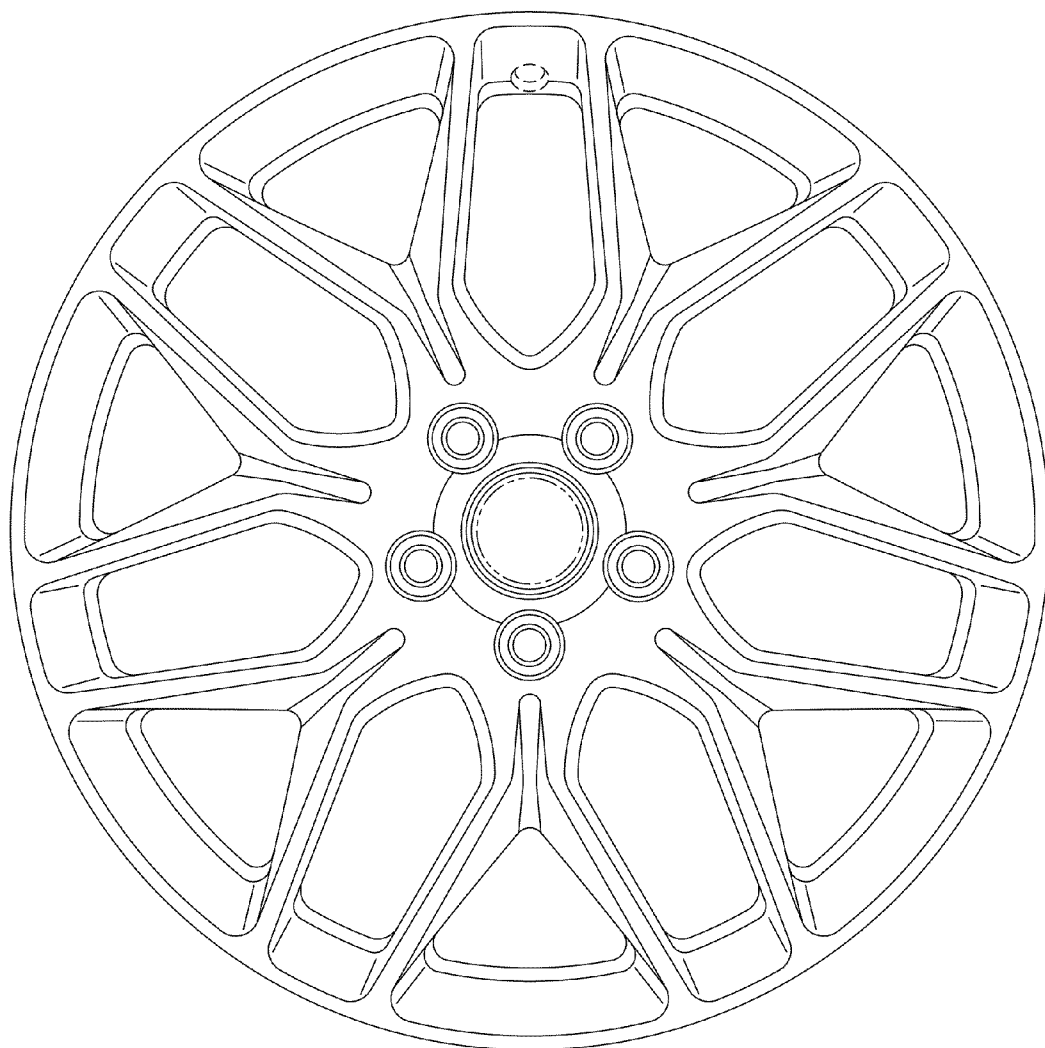


Fig-3

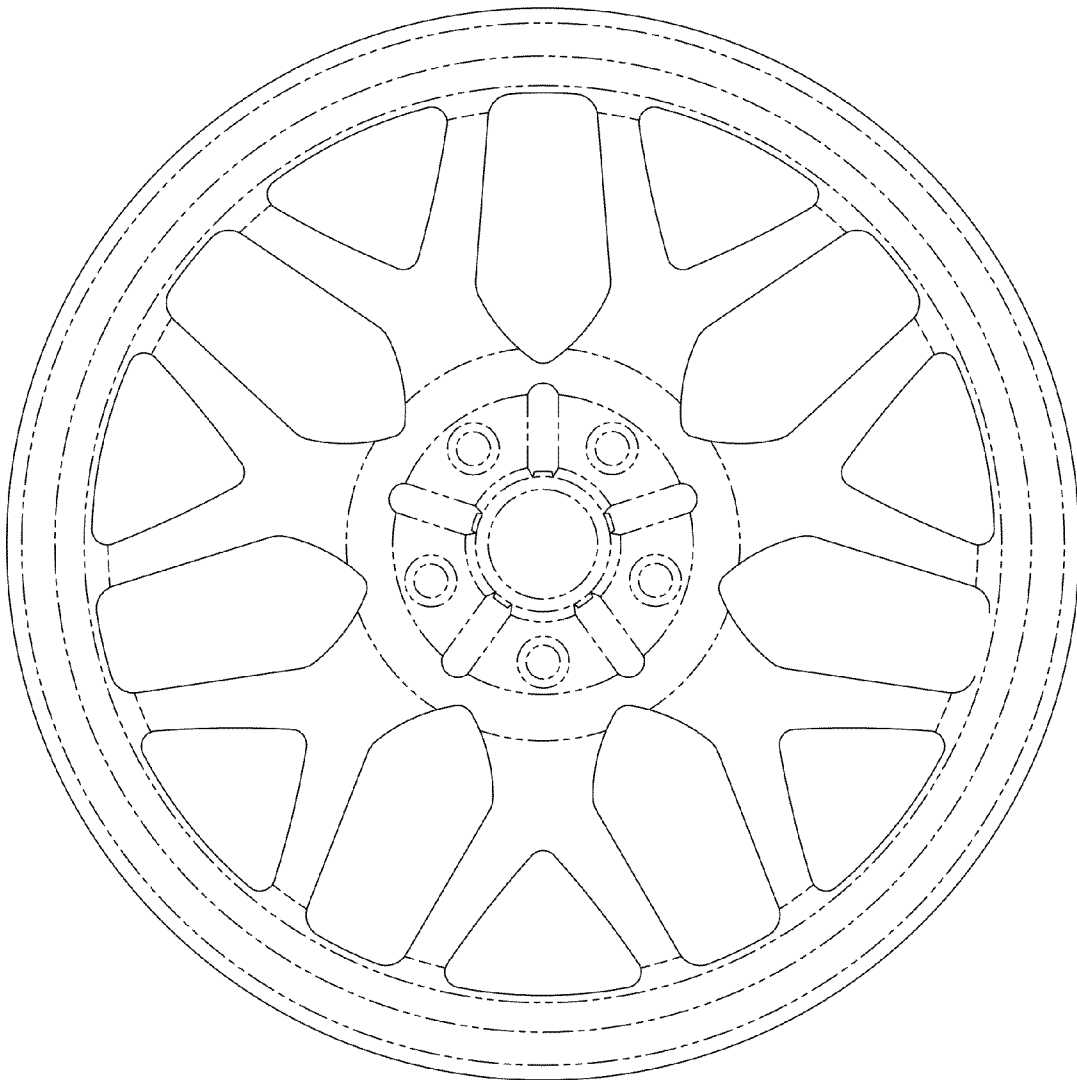


Fig-4