



US00D546638S

(12) **United States Design Patent**
Kaposi

(10) **Patent No.:** **US D546,638 S**

(45) **Date of Patent:** **** Jul. 17, 2007**

(54) **COMBINED FOOD CHOPPER AND SLICER WITH LID**

(75) Inventor: **Sascha Kaposi**, Tacoma, WA (US)

(73) Assignee: **Progressive International Corporation**, Kent, WA (US)

(**) Term: **14 Years**

(21) Appl. No.: **29/249,934**

(22) Filed: **Oct. 26, 2006**

(51) **LOC (8) Cl.** **07-04**

(52) **U.S. Cl.** **D7/672**

(58) **Field of Classification Search** D7/672-675, D7/678, 693, 381-385; 30/114-117, 303, 30/304; 241/95, 168, 169, 100, 273.1; 83/857, 83/932, 597, 167, 662, 663; 99/538, 545

See application file for complete search history.

(56) **References Cited**

U.S. PATENT DOCUMENTS

662,588 A	11/1900	Bloom
751,433 A	2/1904	Kennedy et al.
809,952 A	1/1906	Hoffa
928,019 A	7/1909	Bartow
1,504,501 A	8/1924	Pope
1,674,475 A	6/1928	Loomis

(Continued)

FOREIGN PATENT DOCUMENTS

WO 02064331 8/2002

Primary Examiner—Terry A. Wallace

(74) *Attorney, Agent, or Firm*—Black Lowe & Graham, PLLC

(57) **CLAIM**

I claim the ornamental design for the combined food chopper and slicer with lid, as shown and described.

DESCRIPTION

FIG. 1 is a top view of a blade holder for the combined food chopper and slicer with lid;

FIG. 2 is a front view of the blade holder for the combined food chopper and slicer with lid;

FIG. 3 is a back view of the blade holder for the combined food chopper and slicer with lid;

FIG. 4 is a bottom view of the blade holder for the combined food chopper and slicer with lid;

FIG. 5 is a left side view of the blade holder for the combined food chopper and slicer with lid;

FIG. 6 is a right side view of the blade holder for the combined food chopper and slicer with lid;

FIG. 7 is a perspective view of the blade holder for the combined food chopper and slicer with lid;

FIG. 8 is a top view of a lid for the combined food chopper and slicer with lid; and

FIG. 9 is a front view of the lid for the combined food chopper and slicer with lid;

FIG. 10 is a back view the lid for of the combined food chopper and slicer with lid;

FIG. 11 is a bottom view of the lid for the combined food chopper and slicer with lid;

FIG. 12 is a left side view of the lid for the combined food chopper and slicer with lid;

FIG. 13 is a right side view of the lid for the combined food chopper and slicer with lid;

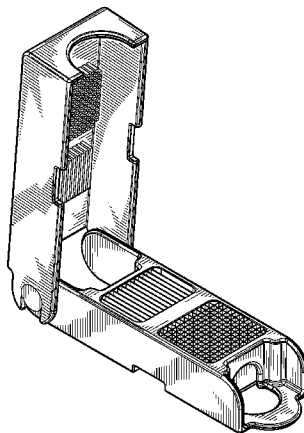
FIG. 14 is a perspective view of the lid for the combined food chopper and slicer with lid;

FIG. 15 is a perspective view of the combined food chopper and slicer with lid, with the lid attached to the blade holder in an open position; and,

FIG. 16 is a perspective view of the combined food chopper and slicer with lid, with the lid attached to the blade holder in a closed position.

FIGS. 1-7 of the food chopper and slicer and FIGS. 8-14 of the lid are shown separately for clarity of illustration.

1 Claim, 8 Drawing Sheets



US D546,638 S

Page 2

U.S. PATENT DOCUMENTS					
2,030,975 A	2/1936	Fairchild	5,499,578 A	3/1996	Payne
2,309,814 A	2/1943	Youngberg	5,516,038 A	5/1996	Zaccarini
2,485,877 A	10/1949	Hamilton, Jr.	5,692,424 A	12/1997	Wallace
3,077,213 A	2/1963	Germano	5,937,525 A	8/1999	Chan
3,997,072 A	12/1976	Guth	5,967,875 A	10/1999	Graef
4,095,339 A	6/1978	Turner	D447,391 S *	9/2001	Bodum D7/678
4,212,431 A	7/1980	Doyel	6,558,244 B1	5/2003	Nedelka
4,457,070 A	7/1984	Reeves	D485,328 S	1/2004	Jastrzembski
4,557,053 A	12/1985	Hadley, Jr.	6,805,032 B2	10/2004	Engdahl
4,574,479 A	3/1986	Gramann	D499,615 S	12/2004	Nordgren
4,670,987 A	6/1987	Casey, Jr.	D519,001 S *	4/2006	So D7/678
4,805,843 A *	2/1989	Draper 241/287	2002/0003144 A1	1/2002	Grimes
4,924,575 A	5/1990	James	2003/0051345 A1	3/2003	Yeung Louie et al.
D331,687 S *	12/1992	Pujol Gilbert D7/678	2004/0055437 A1	3/2004	Engdahl
5,303,472 A	4/1994	Mbanugo			

* cited by examiner

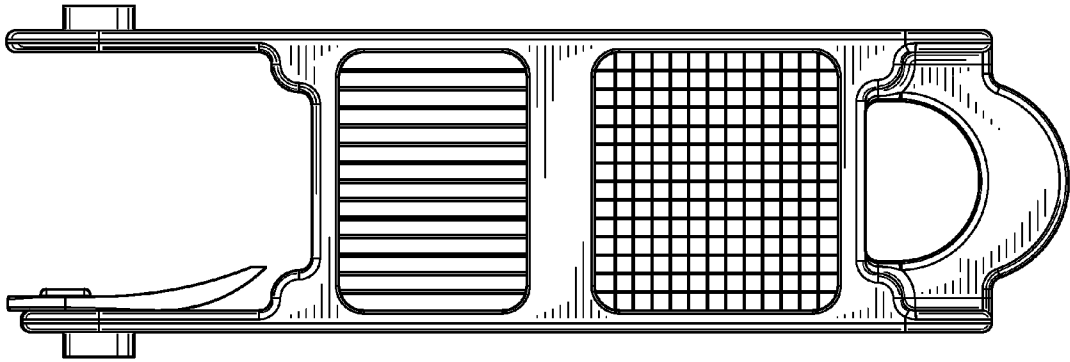


FIG.1

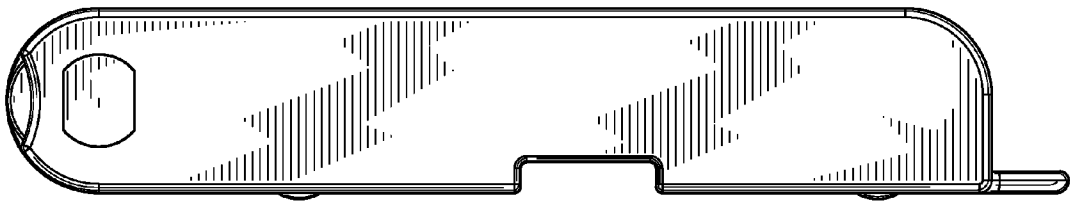


FIG.2

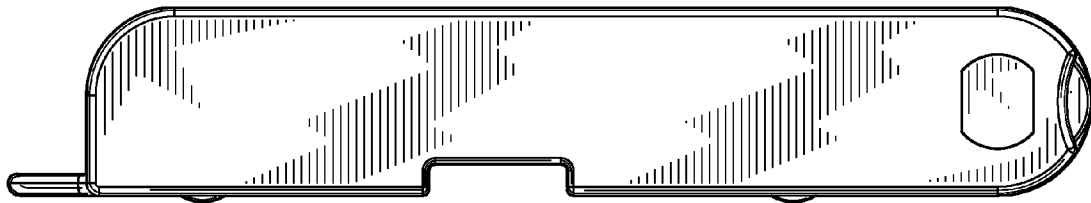


FIG. 3

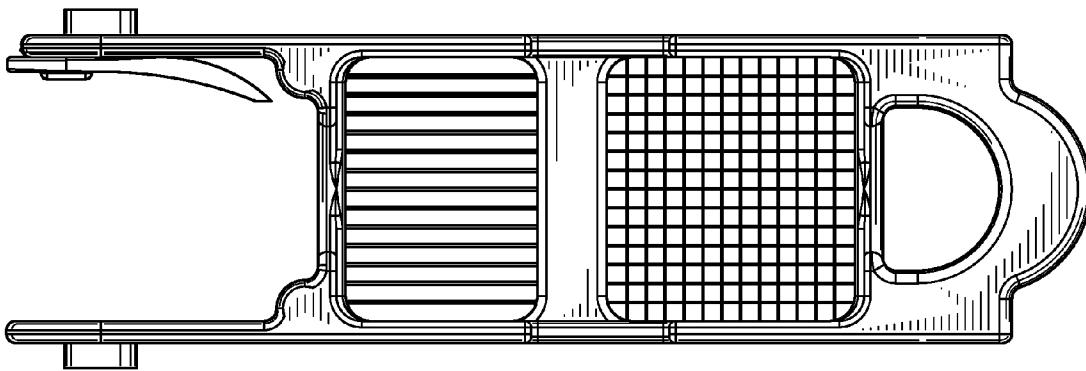


FIG. 4

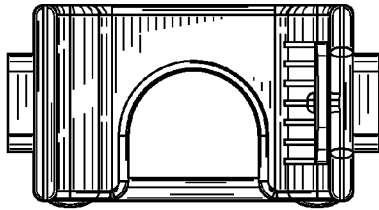


FIG. 5

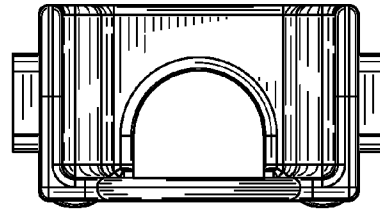


FIG. 6

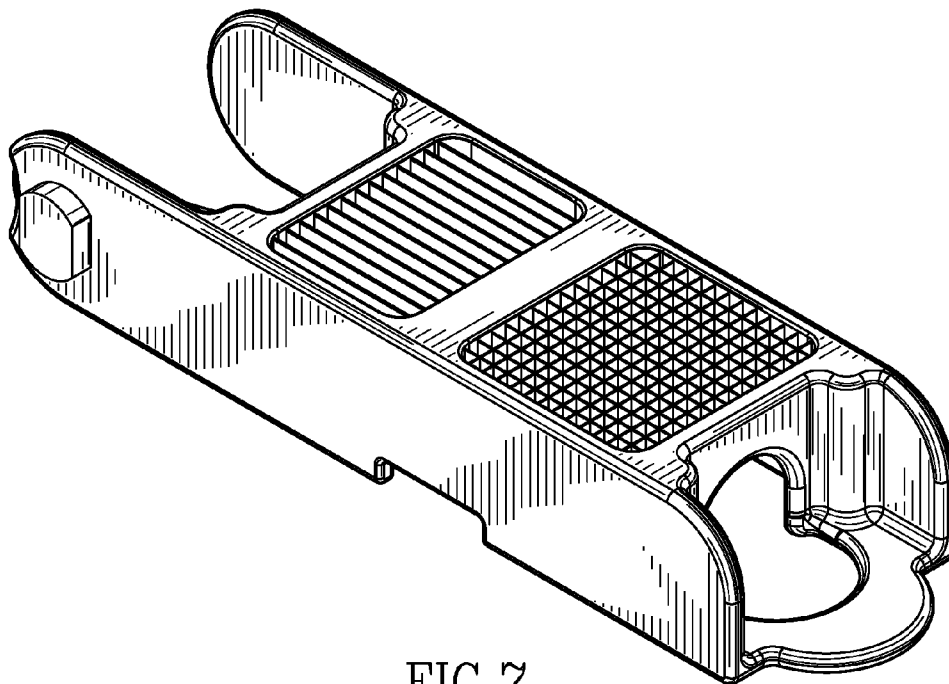


FIG. 7

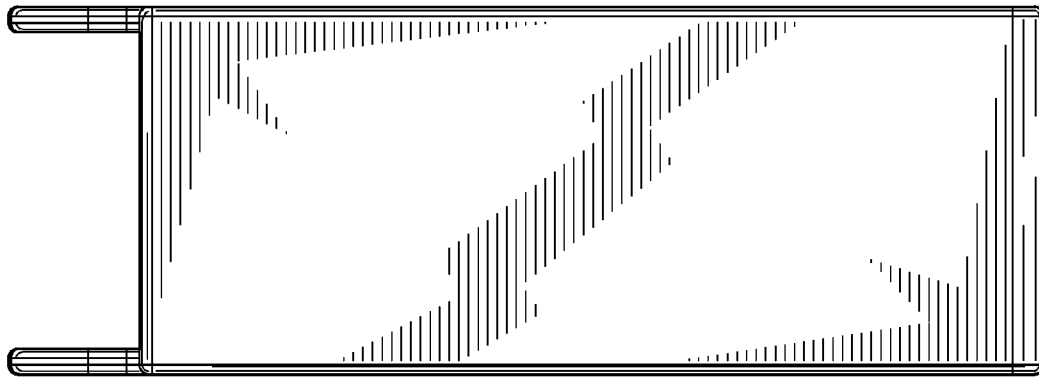


FIG. 8

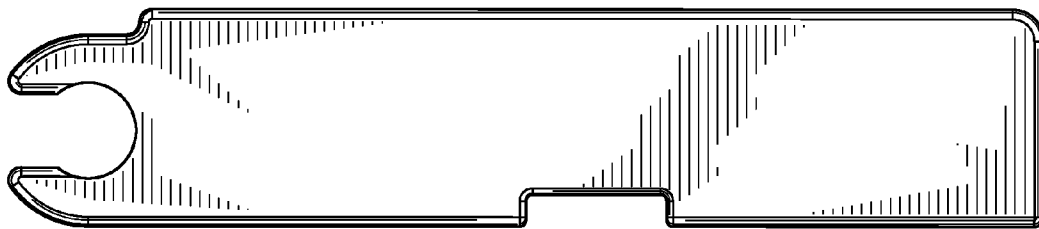


FIG. 9

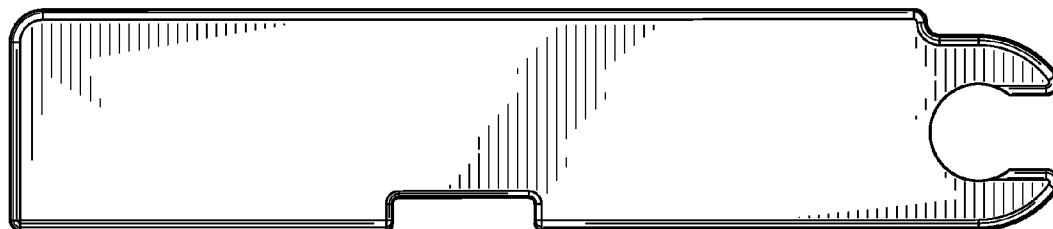


FIG.10

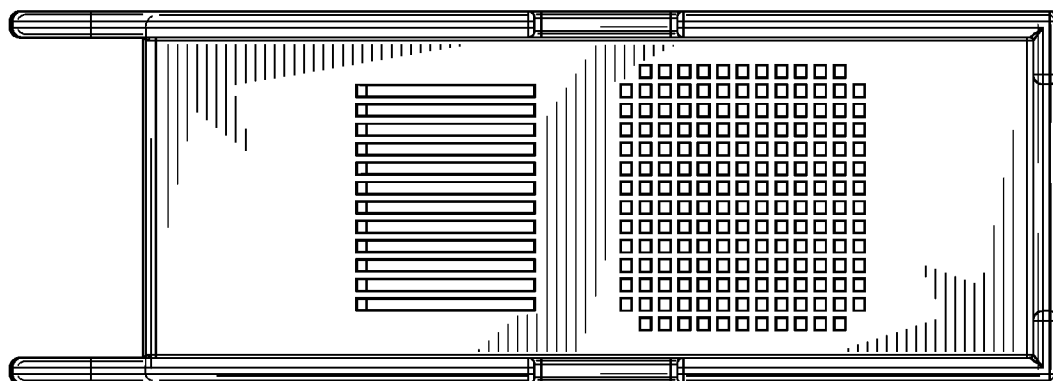


FIG.11

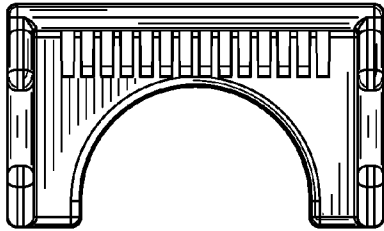


FIG.12

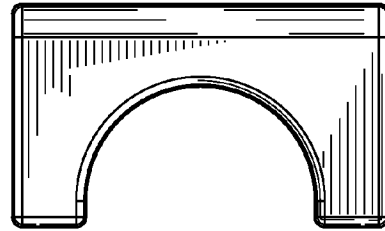


FIG.13

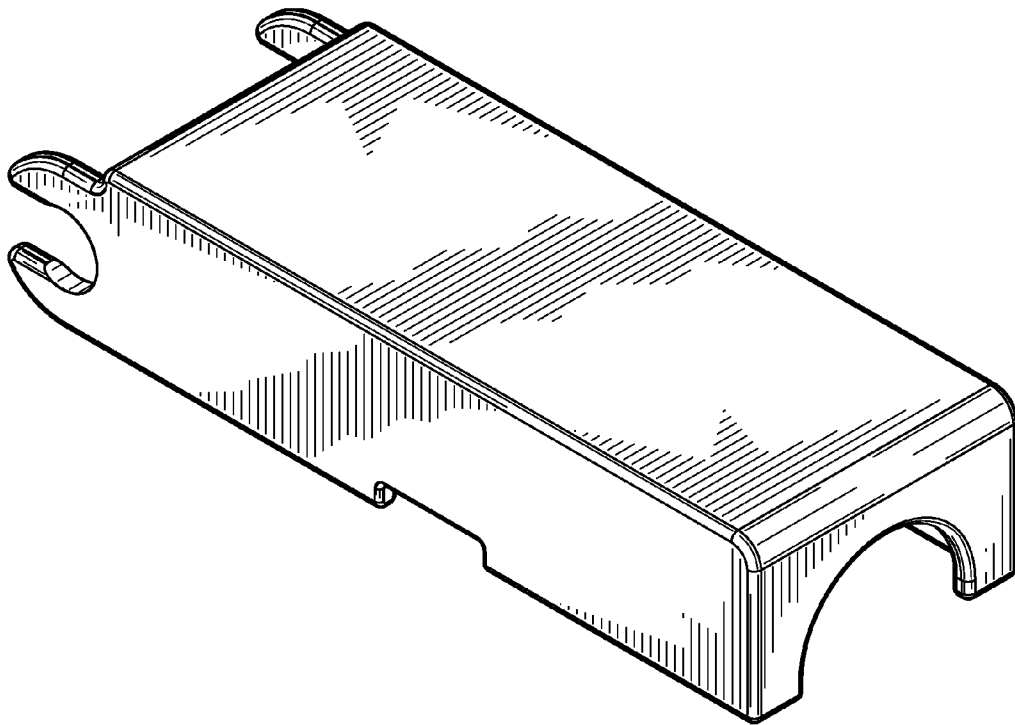


FIG.14

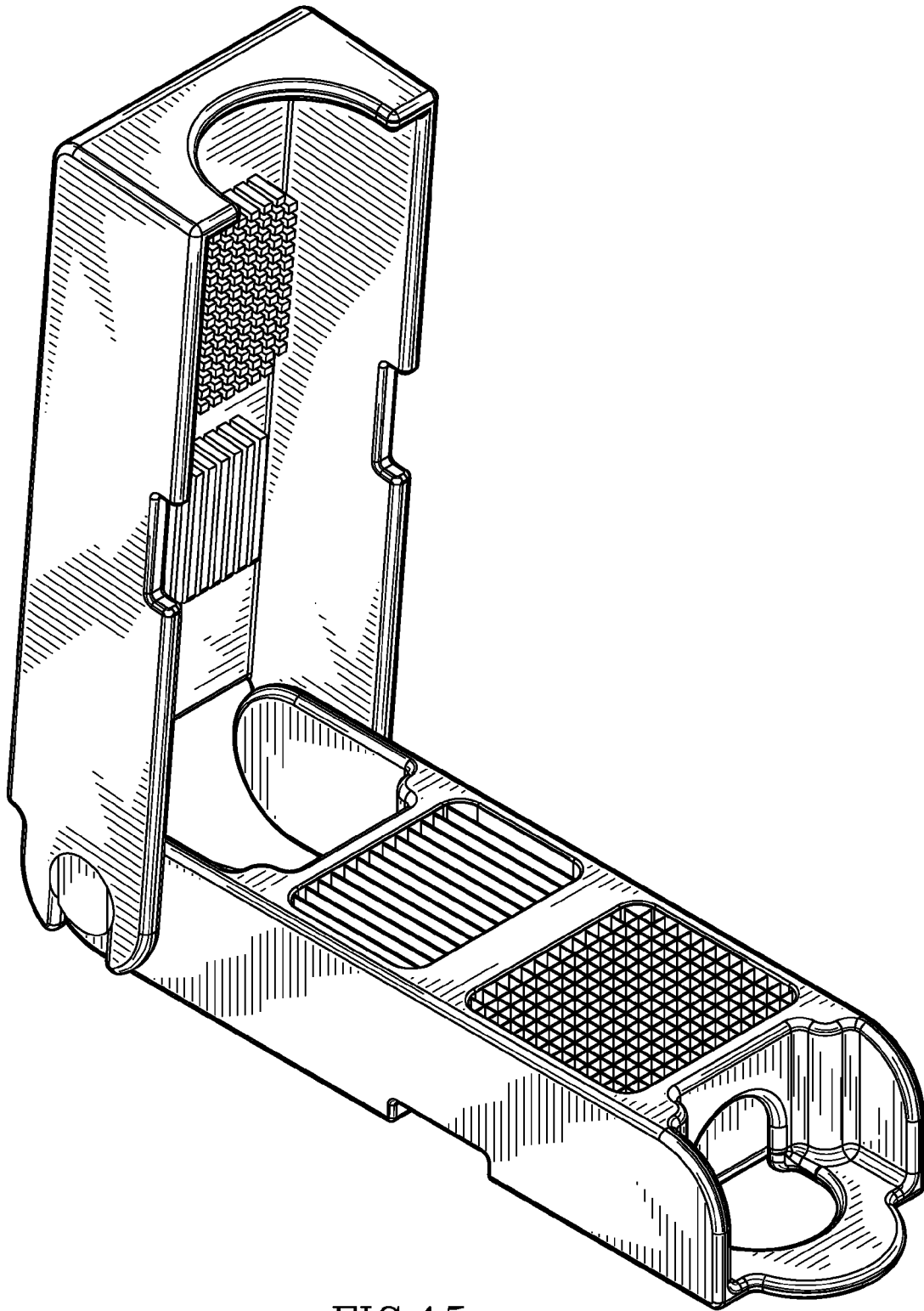


FIG.15

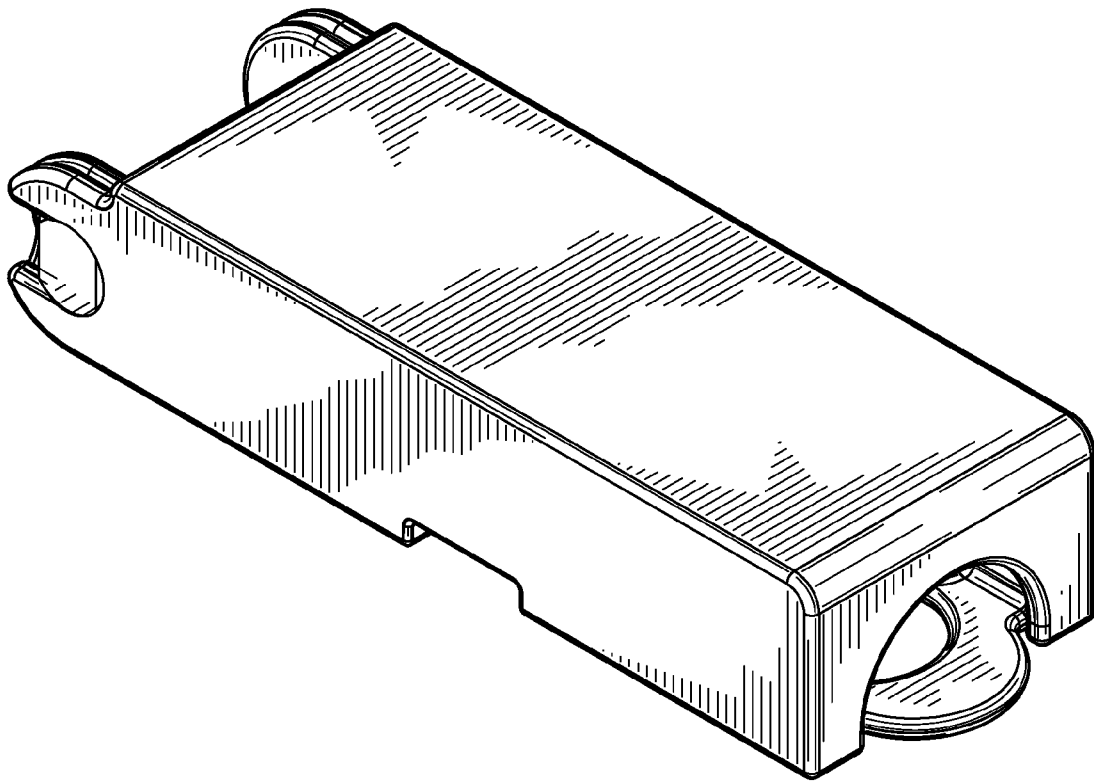


FIG.16