



US00D546445S

(12) **United States Design Patent** (10) **Patent No.:** **US D546,445 S**
Martynus et al. (45) **Date of Patent:** **** Jul. 10, 2007**

(54) **DIAPER**

(75) Inventors: **Cornelia Beate Martynus**, Nidderau (DE); **Gemma Baquer-Molas**, Schwalbach (DE); **Agustin Ramos Blanco**, Oberursel (DE); **Ekaterina Anatolyevna Ponomarenko**, Bad Soden (DE)

(73) Assignee: **The Procter & Gamble Co.**, Cincinnati, OH (US)

(**) Term: **14 Years**

(21) Appl. No.: **29/257,704**

(22) Filed: **Apr. 10, 2006**

(30) **Foreign Application Priority Data**

Oct. 10, 2005 (EM) 0412499-0002

(51) **LOC (8) Cl.** **24-04**

(52) **U.S. Cl.** **D24/126**

(58) **Field of Classification Search** D24/124-126; 604/358-361, 367, 370, 378-380, 384-385.02
See application file for complete search history.

(56) **References Cited**

U.S. PATENT DOCUMENTS

- 4,662,877 A 5/1987 Williams
- 4,681,577 A 7/1987 Stern et al.
- 4,990,147 A 2/1991 Freeland
- 5,062,840 A 11/1991 Holt et al.
- 5,342,338 A 8/1994 Roe
- 5,941,864 A 8/1999 Roe
- 5,957,907 A 9/1999 Sauer
- 5,989,478 A 11/1999 Ouellette et al.
- D443,690 S * 6/2001 Popp et al. D24/126
- 6,258,076 B1 * 7/2001 Glaug et al. 604/387
- D452,315 S * 12/2001 Coates D24/126
- D489,451 S * 5/2004 Glaug et al. D24/126
- D489,821 S * 5/2004 Glaug et al. D24/126
- D500,131 S * 12/2004 Choice D24/125
- 2002/0087136 A1 7/2002 Widlund

- 2003/0158532 A1 8/2003 Magee et al.
- 2004/0092900 A1 5/2004 Hoffman et al.
- 2004/0092902 A1 5/2004 Hoffman et al.
- 2004/0162538 A1 8/2004 Mueller et al.

FOREIGN PATENT DOCUMENTS

- EP 0 934 736 A1 8/1999
- EP 0 953 323 A 11/1999
- EP 1 057 464 A2 12/2000
- EP 1 184 020 A2 3/2002
- EP 1 190 690 A2 3/2002
- EP 1 201 212 A 5/2002
- WO WO 93/01780 A1 2/1993
- WO WO 99/02395 2/1996
- WO WO 99/02393 1/1999
- WO WO 99/56680 A1 11/1999
- WO WO 99/62446 A1 12/1999
- WO WO 00/01334 A1 1/2000

OTHER PUBLICATIONS

Copending U.S. Appl. No. 10/703,233, filed Nov. 7, 2003.
Copending U.S. Appl. No. 10/703,239, filed Nov. 7, 2003.
* cited by examiner

Primary Examiner—Louis S. Zarfaz
Assistant Examiner—Michelle Wilson
(74) *Attorney, Agent, or Firm*—Thibault Fayette; Matthew P. Fitzpatrick; Ken K. Patel

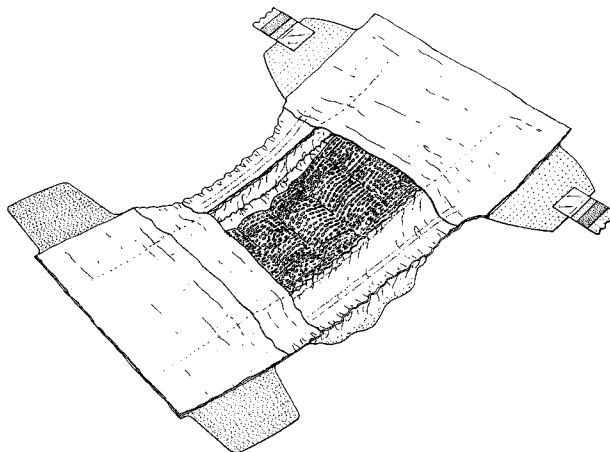
(57) **CLAIM**

The ornamental design for a diaper, as shown and described.

DESCRIPTION

FIG. 1 is a perspective view of a diaper, embodying the new design;
FIG. 2 is a top view of thereof;
FIG. 3 is a bottom view thereof;
FIG. 4 is a right view thereof;
FIG. 5 is a left view thereof;
FIG. 6 is a front side view thereof; and,
FIG. 7 is a back side view thereof.

1 Claim, 5 Drawing Sheets



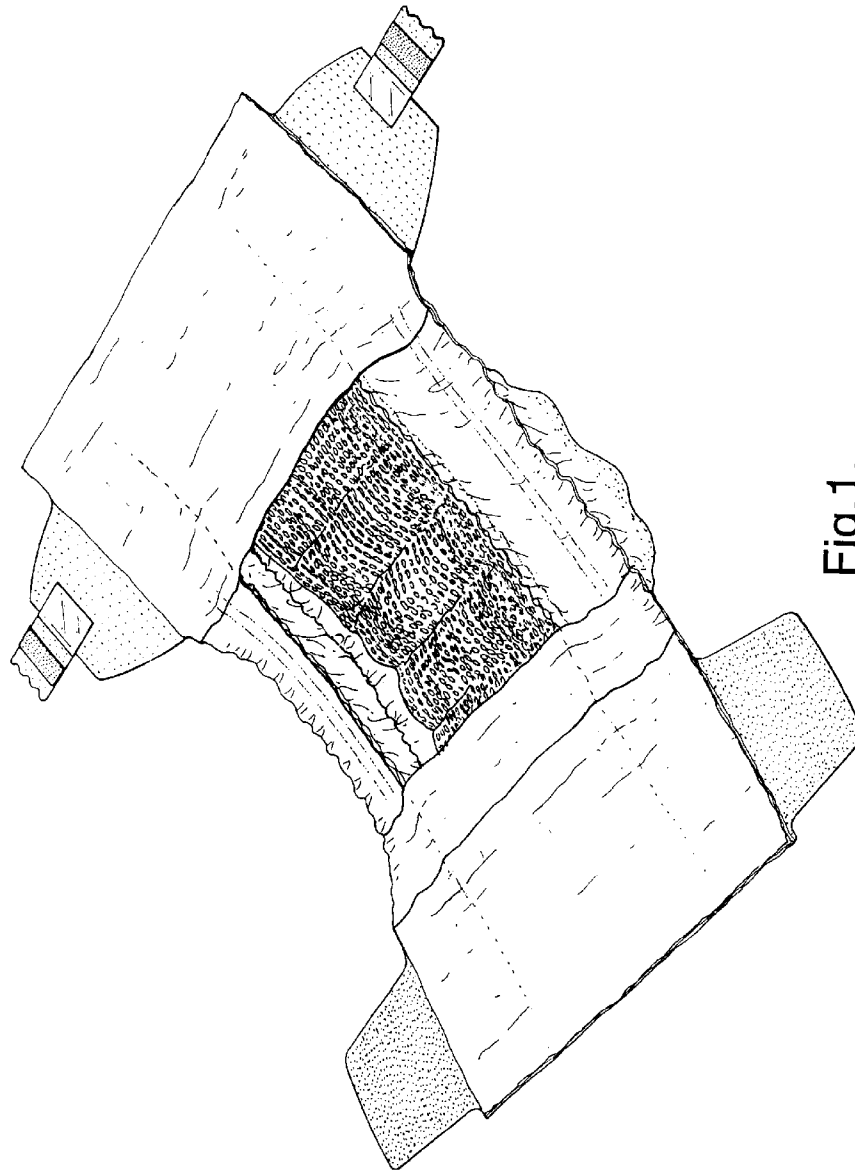


Fig. 1.

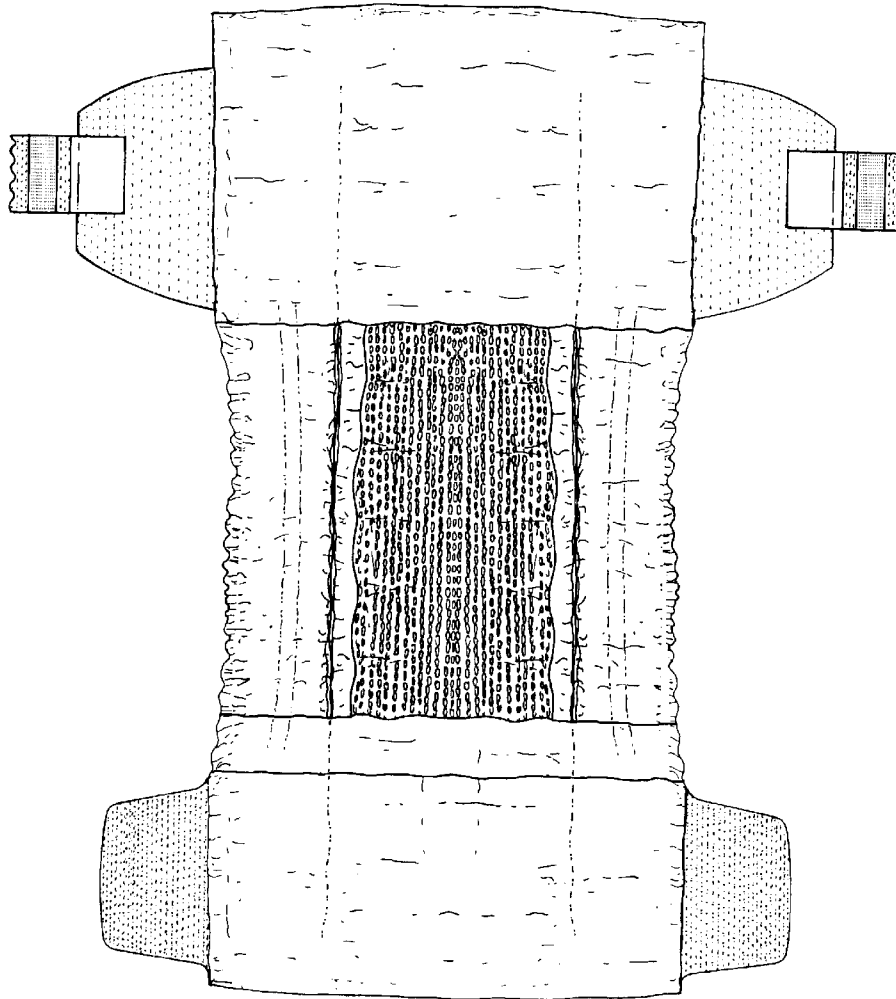


Fig.2.

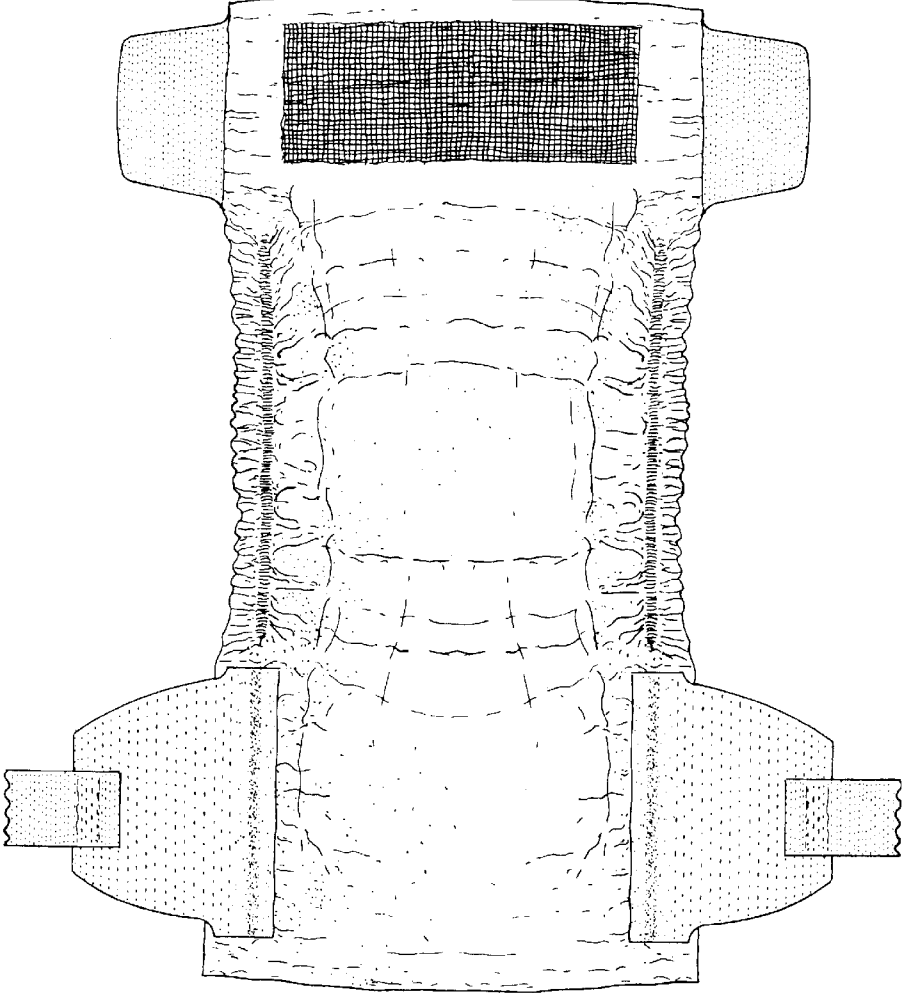


Fig.3.

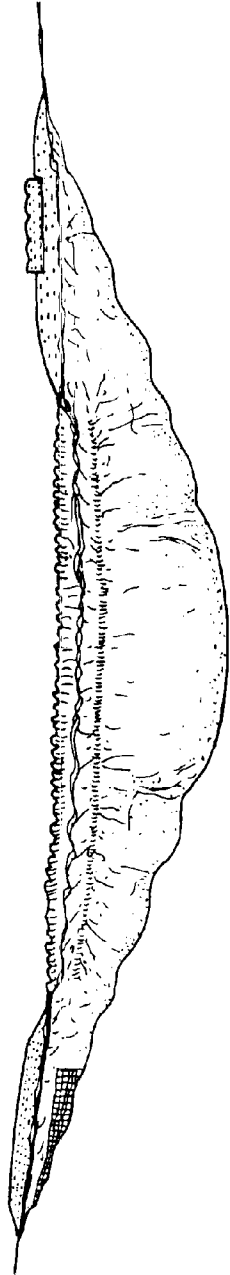


Fig.4.

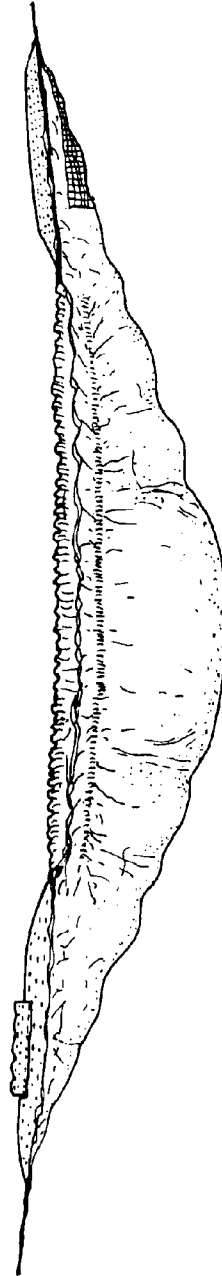


Fig.5.



Fig. 6.

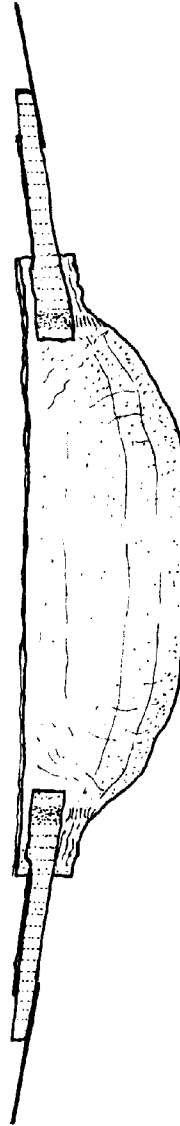


Fig. 7.