



US00D815476S

(12) **United States Design Patent**  
**Procter**

(10) **Patent No.:** **US D815,476 S**  
(45) **Date of Patent:** **\*\* Apr. 17, 2018**

- (54) **LECTERN**
- (71) Applicant: **Procson Pty Ltd**, Earlwood, New South Wales (AU)
- (72) Inventor: **Stephen Richard Procter**, Earlwood (AU)
- (73) Assignee: **Procson Pty Ltd.**, Earlwood, NSW (AU)
- (\*\*) Term: **15 Years**
- (21) Appl. No.: **29/575,866**
- (22) Filed: **Aug. 30, 2016**

- D239,899 S \* 5/1976 Malcolm et al. .... D6/701
  - D245,820 S \* 9/1977 Matthews ..... D6/700
  - D250,920 S \* 1/1979 Waters ..... D6/700
  - D269,291 S \* 6/1983 Hofer ..... D23/366
  - D274,102 S \* 6/1984 You ..... D6/700
- (Continued)

*Primary Examiner* — John Windmuller  
*Assistant Examiner* — Steven Czyz  
 (74) *Attorney, Agent, or Firm* — Merchant & Gould P.C.

(57) **CLAIM**

The ornamental design for a lectern, as shown and described.

**DESCRIPTION**

FIG. 1 is a rear perspective view of a lectern according to the first embodiment;  
 FIG. 2 is a front perspective view thereof;  
 FIG. 3 is a top view thereof;  
 FIG. 4 is a bottom view thereof;  
 FIG. 5 is a right side view of the lectern in a lowered configuration;  
 FIG. 6 is a left side view of the lectern in a raised configuration;  
 FIG. 7 is a rear elevation view of the lectern;  
 FIG. 8 is a front elevation view thereof;  
 FIG. 9 is a rear perspective view of a lectern according to the second embodiment;  
 FIG. 10 is a front perspective view thereof;  
 FIG. 11 is a top view thereof;  
 FIG. 12 is a bottom view thereof;  
 FIG. 13 is a right side view of the lectern in a lowered configuration;  
 FIG. 14 is a left side view of the lectern in a raised configuration;  
 FIG. 15 is a rear elevation view of the lectern; and,  
 FIG. 16 is a front elevation view thereof.  
 The broken lines depict portions of the article that form no part of the claimed design.

**Related U.S. Application Data**

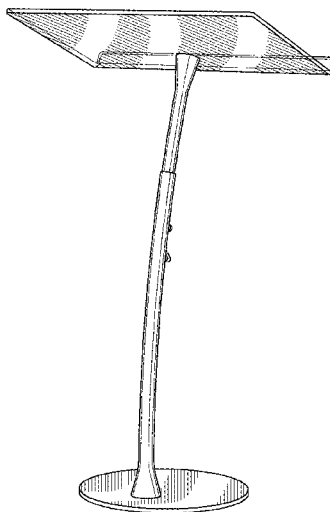
- (62) Division of application No. 29/512,861, filed on Dec. 23, 2014, now Pat. No. Des. 782,232.
- (51) **LOC (11) Cl.** ..... **06-06**
- (52) **U.S. Cl.**  
USPC ..... **D6/700**
- (58) **Field of Classification Search**  
USPC ..... D6/682, 682.5, 700, 701, 708.21, 300, D6/708.17, 708.2, 314; D19/86; 248/444.1, 441.1, 445, 447; 108/150  
CPC ..... A47B 23/007; A47B 23/042; A47B 19/04; A47B 13/023  
See application file for complete search history.

**References Cited**

**U.S. PATENT DOCUMENTS**

- D102,790 S \* 1/1937 Katz et al. .... D6/701
- D118,485 S \* 1/1940 Salomon et al. .... D6/700
- D132,166 S \* 4/1942 Cloutier et al. .... 297/34
- 2,873,552 A \* 2/1959 Jewell ..... A47B 19/002  
248/460
- 3,079,725 A \* 3/1963 La Flenr ..... A47B 19/10  
248/441.1
- D220,343 S \* 3/1971 Boissicat et al. .... D34/17

**1 Claim, 12 Drawing Sheets**



(56)

References Cited

U.S. PATENT DOCUMENTS

4,605,193	A *	8/1986	Kuparinen	.....	A47B 19/08	D499,899	S *	12/2004	Brought	.....	D6/700
					248/121	D535,109	S *	1/2007	Palmer	.....	D6/312
D285,507	S *	9/1986	Middlemist	.....	D6/700	D598,217	S *	8/2009	Bode	.....	D6/681.2
D300,092	S *	3/1989	Middlemist	.....	D6/700	D609,495	S *	2/2010	Adams	.....	D6/656.11
4,819,902	A *	4/1989	Wenger	.....	A47B 19/002	D618,009	S *	6/2010	Lancet	.....	D6/700
					248/423	D625,528	S *	10/2010	Sprague	.....	D6/681
D314,873	S *	2/1991	Wenger	.....	D6/701	D644,450	S *	9/2011	Walter	.....	D6/701
D323,752	S *	2/1992	Montagner	.....	D19/88	D650,200	S *	12/2011	Francis	.....	D6/700
D324,462	S *	3/1992	Karnaze	.....	248/441.1	D661,498	S *	6/2012	Wang	.....	G09F 7/04
D346,286	S *	4/1994	Caponigro	.....	D17/99						D6/312
D357,825	S *	5/1995	Gillam	.....	D6/700	D671,545	S *	11/2012	Guran	.....	D14/447
D360,777	S *	8/1995	Glebe	.....	D6/310	D677,075	S *	3/2013	Rodgers	.....	D6/672
D361,217	S *	8/1995	Glebe	.....	D6/310	D697,345	S *	1/2014	Therrien	.....	D6/700
D365,223	S *	12/1995	Pryor	.....	D6/700	D734,079	S *	7/2015	Roth	.....	D6/656.13
D367,971	S *	3/1996	Lynn	.....	D6/701	D782,232	S *	3/2017	Procter	.....	D6/700
5,564,661	A *	10/1996	Gershon	.....	A47B 19/002	2004/0188587	A1 *	9/2004	Michell	.....	A47B 19/002
					248/167						248/457
D377,276	S *	1/1997	Hirsch	.....	D6/700	2005/0012014	A1 *	1/2005	Willner	.....	A47B 19/10
D388,262	S *	12/1997	Benting	.....	D17/99						248/441.1
5,833,199	A *	11/1998	Benting	.....	A47B 19/002	2006/0016945	A1 *	1/2006	Taylor	.....	A47B 19/06
					248/414						248/188.5
D404,933	S *	2/1999	Travers	.....	D6/700	2006/0272481	A1 *	12/2006	Frank	.....	G10H 1/0008
D433,581	S *	11/2000	Miller	.....	D6/700						84/600
6,238,129	B1 *	5/2001	Rahn	.....	F16M 11/04	2009/0050773	A1 *	2/2009	McCarty	.....	A47B 19/00
					248/441.1						248/441.1
D457,011	S *	5/2002	Wenner	.....	D6/314	2011/0147560	A1 *	6/2011	Camarillo	.....	A47B 13/023
D459,609	S *	7/2002	Raff	.....	D6/701						248/371
						2011/0203495	A1 *	8/2011	McLaughlin	.....	A47B 91/024
											108/144.11

\* cited by examiner



FIGURE 1

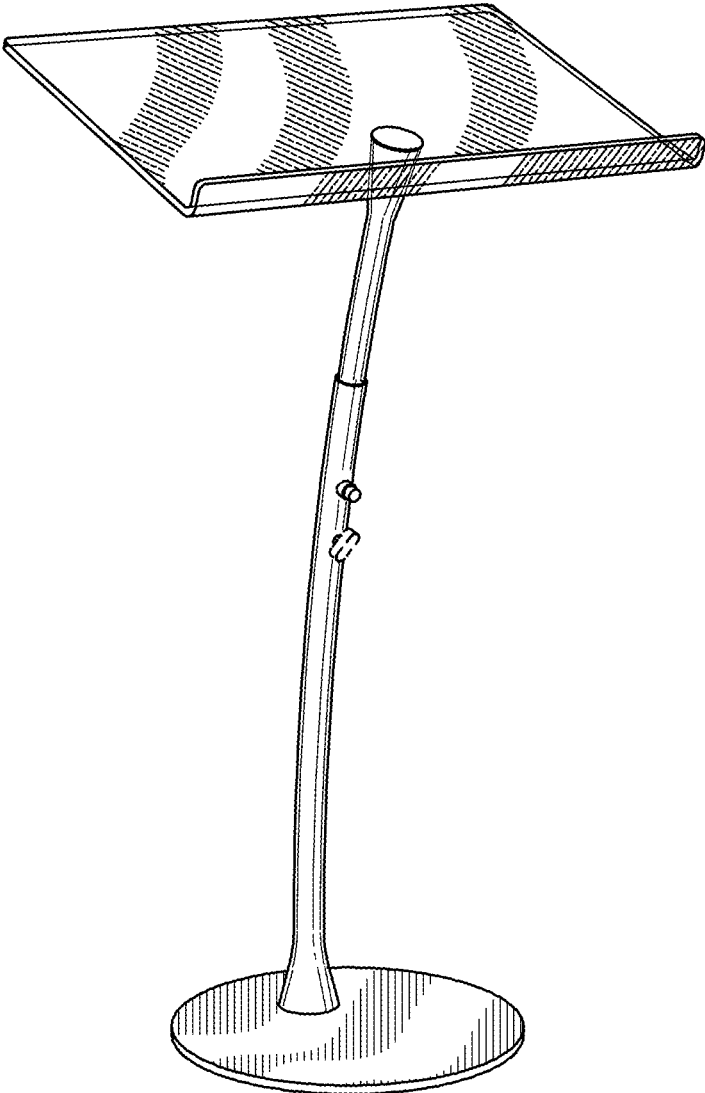


FIGURE 2

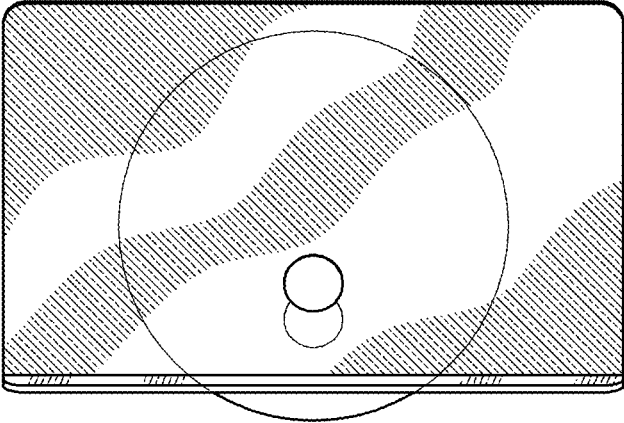


FIGURE 3

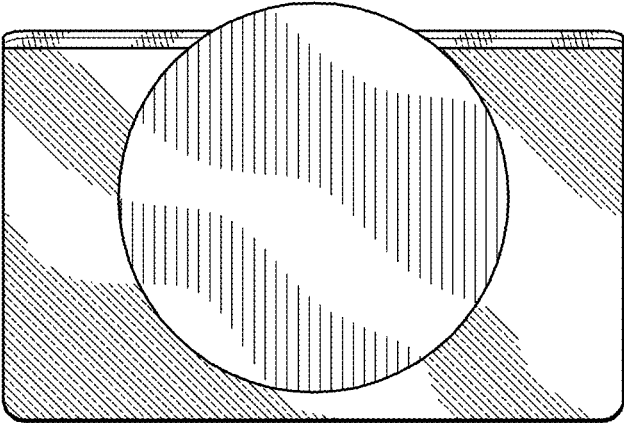


FIGURE 4

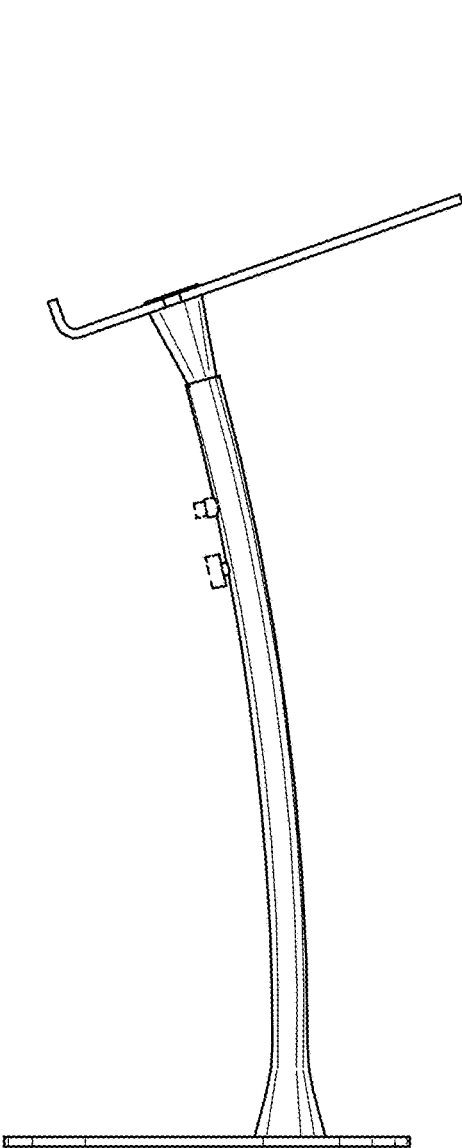


FIGURE 5

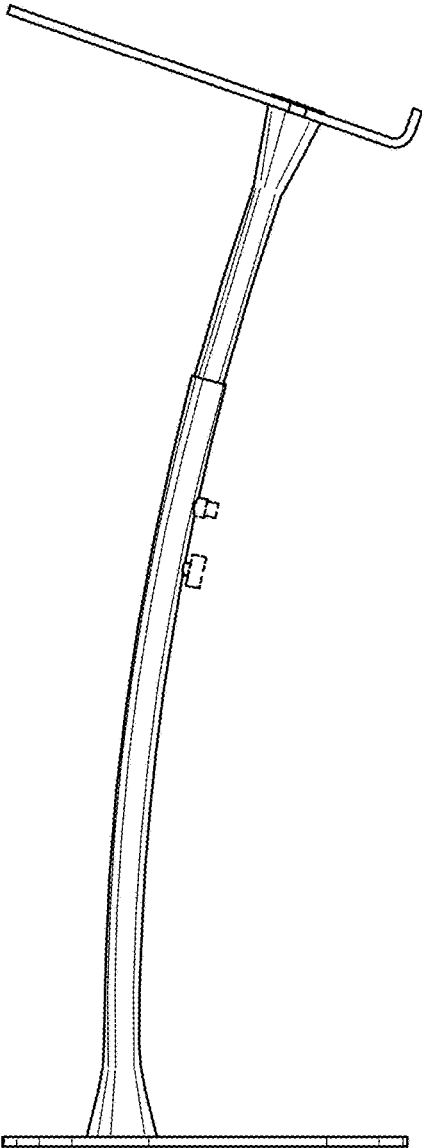


FIGURE 6

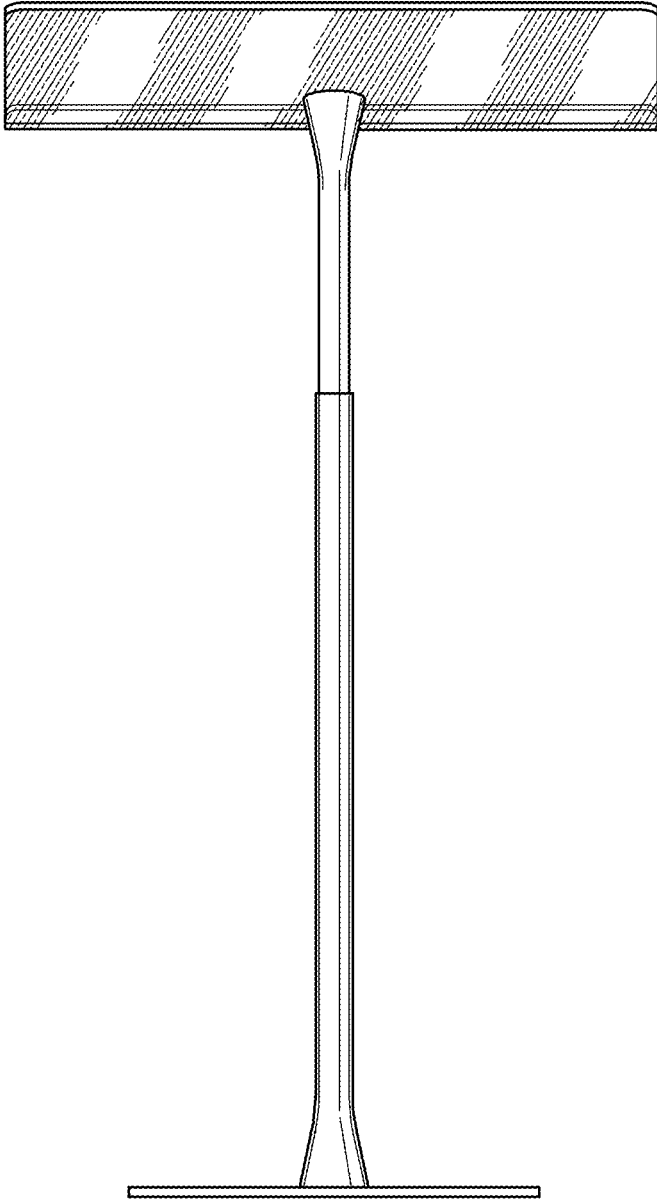


FIGURE 7

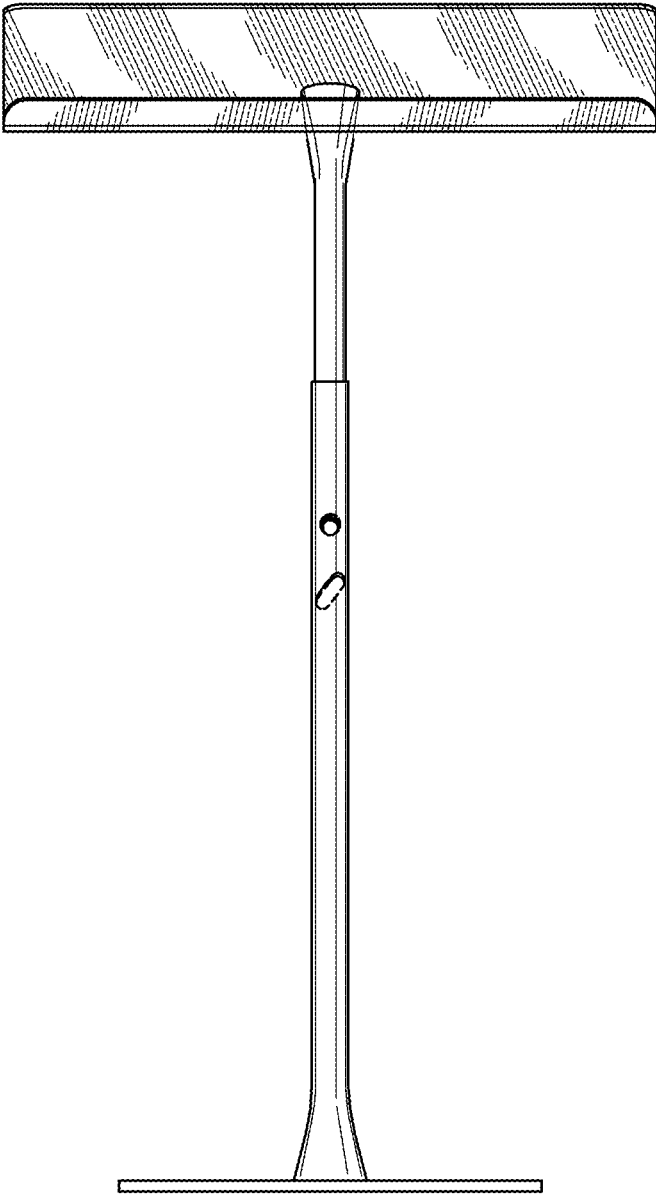


FIGURE 8





FIGURE 9

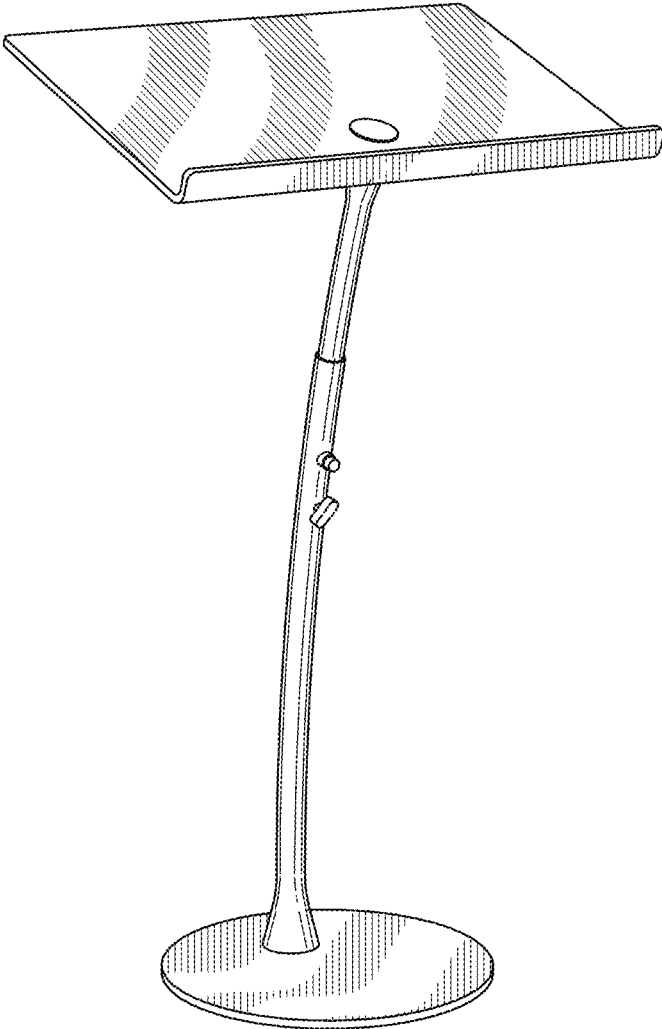


FIGURE 10

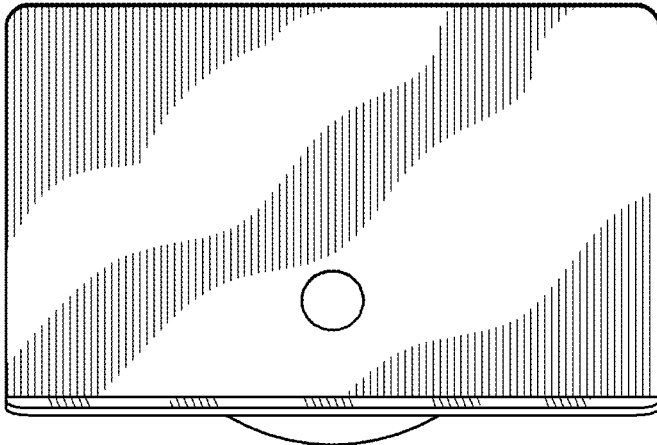


FIGURE 11

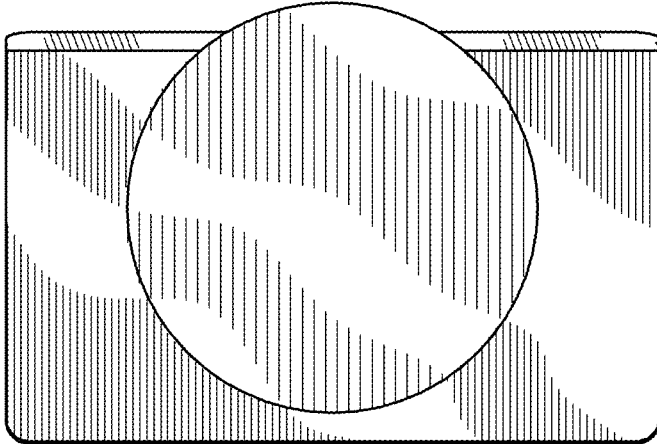


FIGURE 12

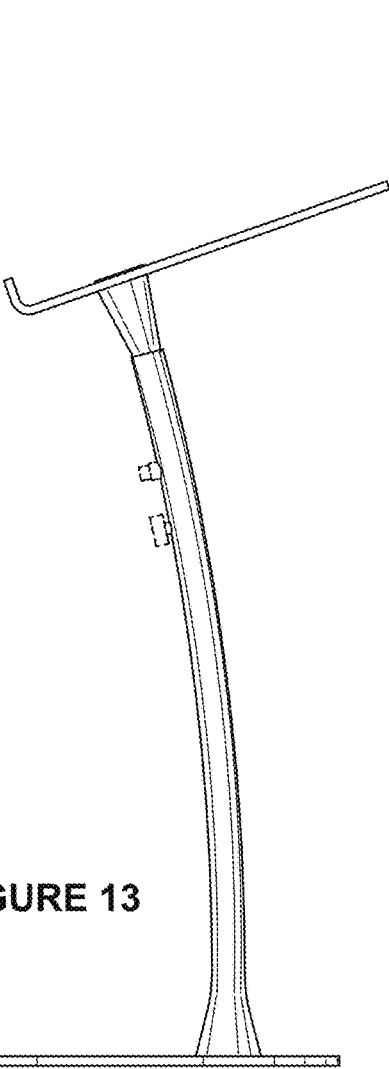


FIGURE 13

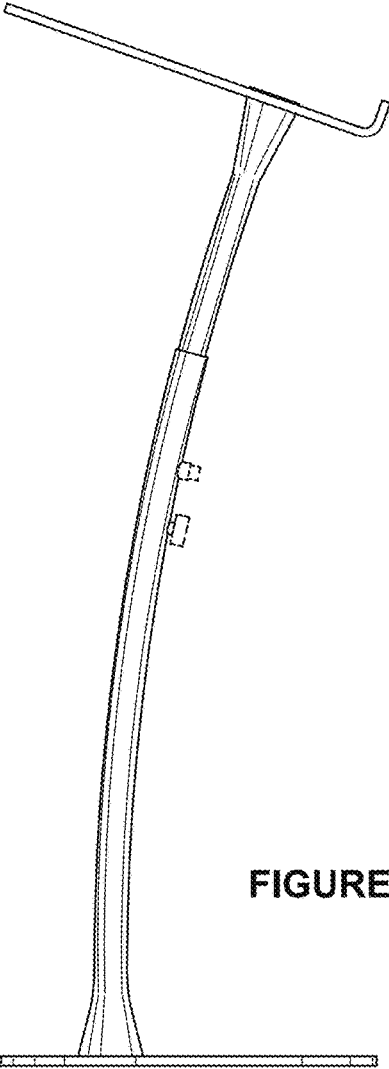


FIGURE 14

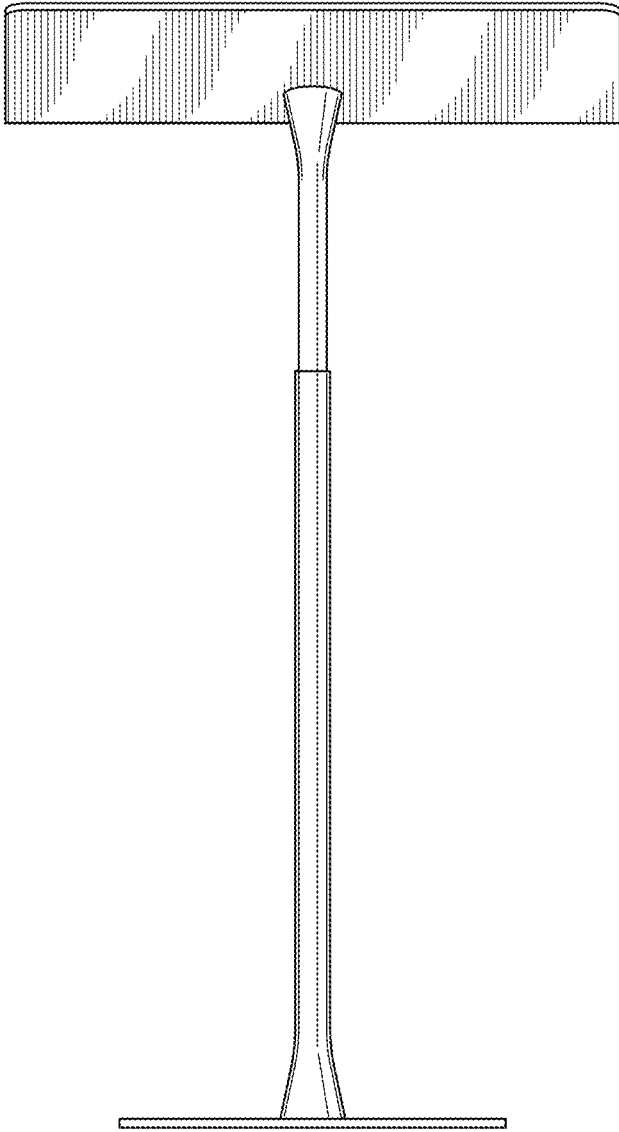


FIGURE 15

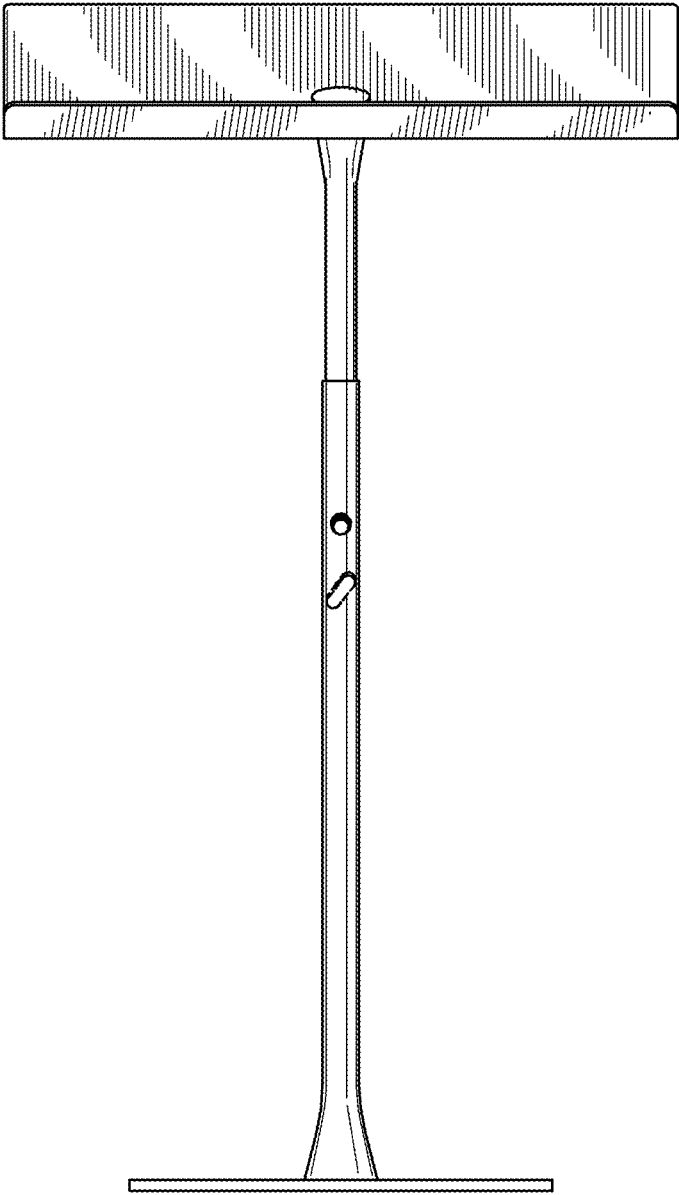


FIGURE 16