



US00D929491S

(12) **United States Design Patent**
Li et al.

(10) **Patent No.:** **US D929,491 S**
(45) **Date of Patent:** **** Aug. 31, 2021**

- (54) **THREE AXIS STABILIZER**
- (71) Applicant: **GUANGDONG SIRUI OPTICAL CO., LTD.**, Zhongshan (CN)
- (72) Inventors: **Jie Li**, Zhongshan (CN); **Hang Chen**, Zhongshan (CN)
- (73) Assignee: **GUANGDONG SIRUI OPTICAL CO., LTD.**, Zhongshan (GN)
- (**) Term: **15 Years**
- (21) Appl. No.: **29/704,872**

9,891,505	B1 *	2/2018	Wei	F16M 13/02
9,894,279	B2 *	2/2018	Wei	F16M 11/123
D814,545	S *	4/2018	Kim	D16/206
D815,180	S *	4/2018	Kim	D16/206
D826,310	S *	8/2018	Wang	D16/243
10,139,711	B1 *	11/2018	Wei	G03B 17/563
10,240,714	B2 *	3/2019	Wei	F16M 13/00
D849,497	S *	5/2019	Wang	D8/71
D857,786	S *	8/2019	Kim	D16/243
D860,170	S *	9/2019	Ding	D14/217
D863,411	S *	10/2019	Liao	D16/243
10,432,863	B2 *	10/2019	Appel	F16M 13/00
D866,647	S *	11/2019	Kim	D16/243
10,465,840	B2 *	11/2019	Gubler	F16M 11/18
D868,877	S *	12/2019	Lin	D16/243

(Continued)

(22) Filed: **Sep. 8, 2019**

(30) **Foreign Application Priority Data**

Aug. 2, 2019 (CN) 201930419636.3

(51) **LOC (13) Cl.** **16-05**

(52) **U.S. Cl.**
USPC **D16/243**

(58) **Field of Classification Search**

USPC D16/219, 237-250; D8/354, 355, 363, D8/373, 382-383, 394-396; D14/224, D14/229, 238, 251, 253, 447, 451, 457

CPC A45F 5/00; A45F 5/10; A45F 2200/0508-0533; F16M 11/06-10; F16M 11/14; G02B 7/00-002; G03B 17/56; G03B 17/561-566; H04N 5/2253-2254

See application file for complete search history.

(56) **References Cited**

U.S. PATENT DOCUMENTS

D780,825	S *	3/2017	Kim	D16/242
D784,997	S *	4/2017	Cheng	D14/447
D794,606	S *	8/2017	Zheng	D14/217
D796,482	S *	9/2017	Zheng	D14/217
9,800,786	B1 *	10/2017	Wei	H04N 5/2328
D810,171	S *	2/2018	Kim	D16/206

OTHER PUBLICATIONS

SIRUI Swift M1 Gimbal, [online] Retrieved Jun. 24, 2019 from URL: <https://en.sirui.com/index/intelligent/m1.html>*

Primary Examiner — Vy N Koenig

(74) *Attorney, Agent, or Firm* — Loeb & Loeb LLP

(57) **CLAIM**

The ornamental design for a three-axis stabilizer, as shown and described.

DESCRIPTION

FIG. 1 is a perspective view of a three-axis stabilizer showing our new design;

FIG. 2 is a front view thereof;

FIG. 3 is a rear view thereof;

FIG. 4 is a right side view thereof;

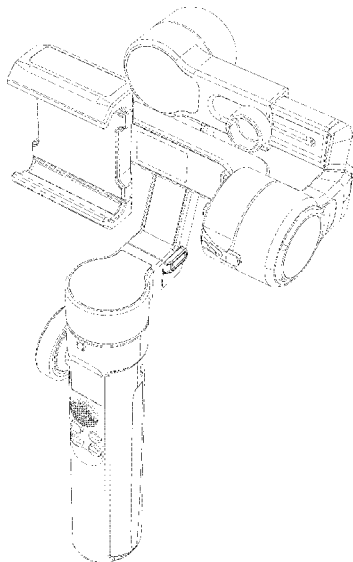
FIG. 5 is a left side view thereof;

FIG. 6 is a top view thereof; and,

FIG. 7 is a bottom view thereof.

The broken lines in the drawings depict portions of the three-axis stabilizer that form no part of the claimed design.

1 Claim, 7 Drawing Sheets



(56)

References Cited

U.S. PATENT DOCUMENTS

10,536,630	B2 *	1/2020	Enke	F16M 11/123
D892,911	S *	8/2020	Kim	D16/243
D894,257	S *	8/2020	Kim	D16/243
D897,314	S *	9/2020	Ding	D14/217
2017/0037995	A1 *	2/2017	Pan	F16M 11/18
2017/0064176	A1 *	3/2017	Kim	G02B 27/644
2017/0146892	A1 *	5/2017	Wei	F16M 11/10
2017/0241589	A1 *	8/2017	Wang	F16M 11/2071
2017/0307136	A1 *	10/2017	Wei	F16M 13/04
2018/0031951	A1 *	2/2018	Wang	F16M 11/123

* cited by examiner

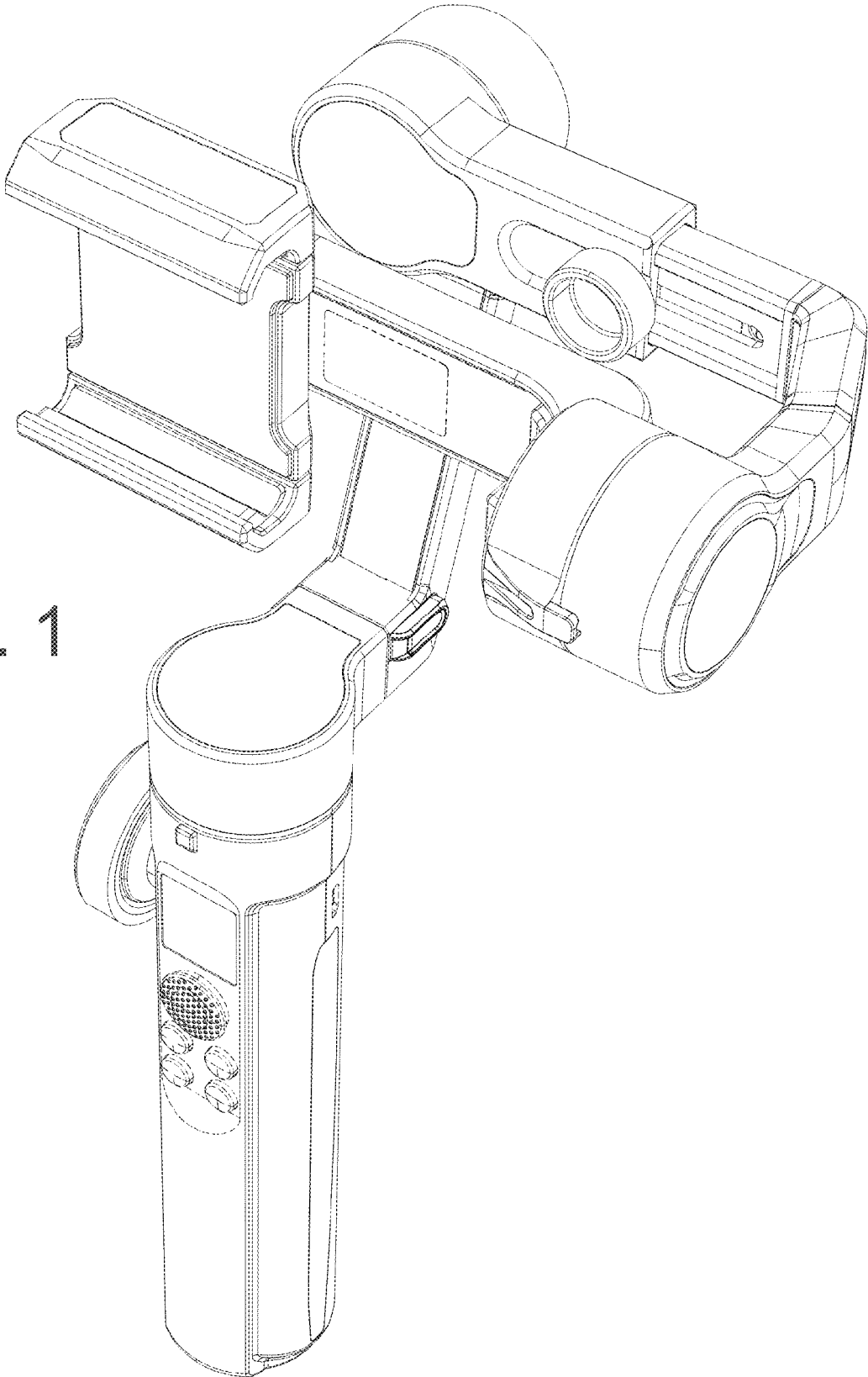


FIG. 1

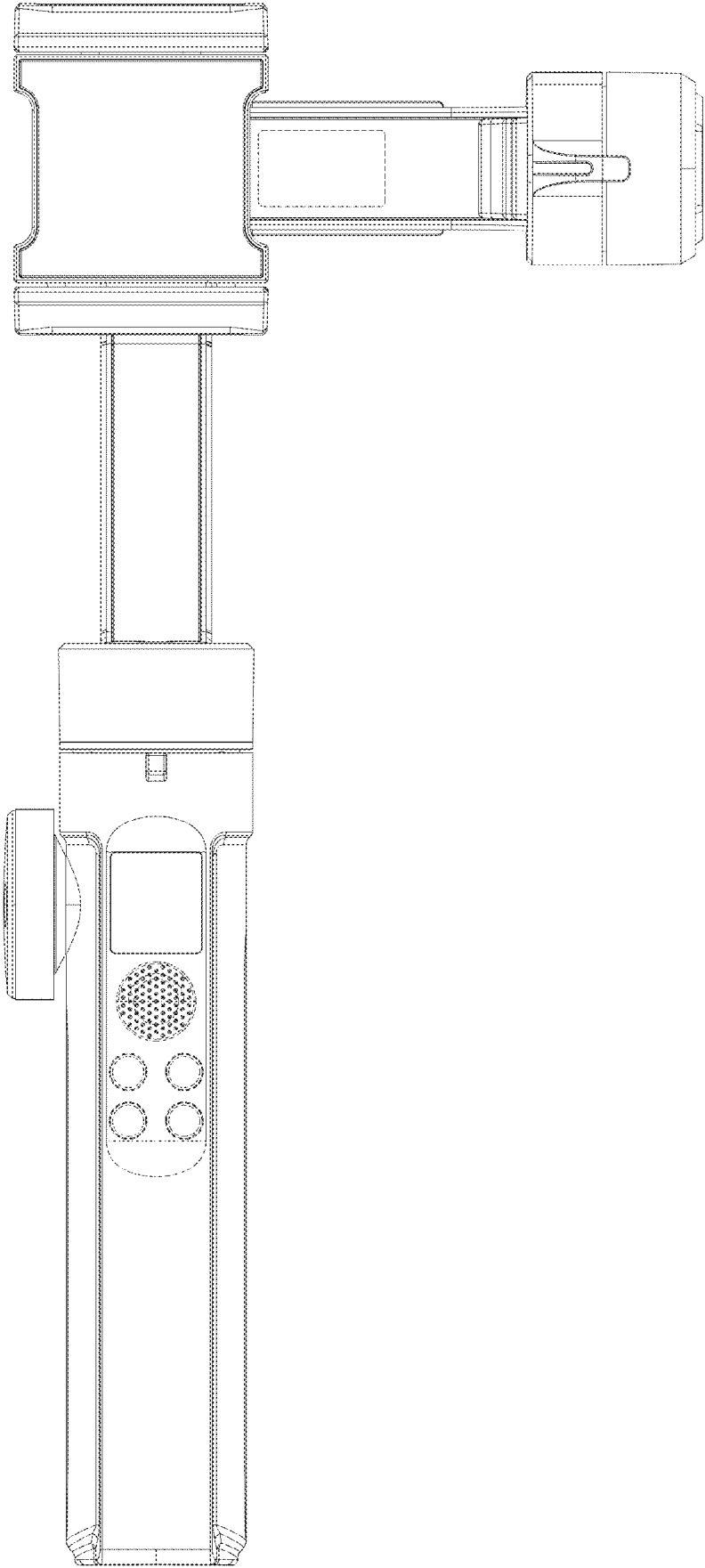


FIG. 2

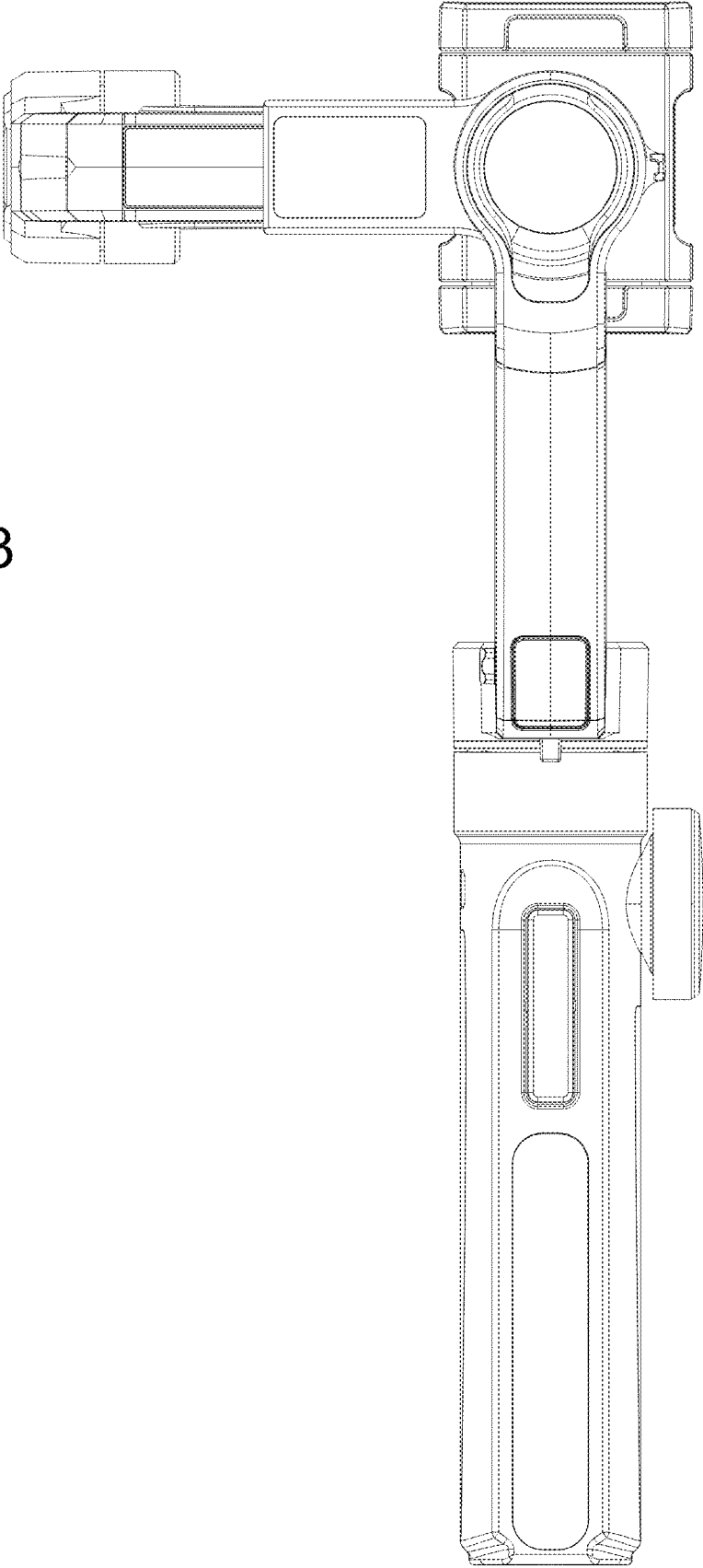


FIG. 3

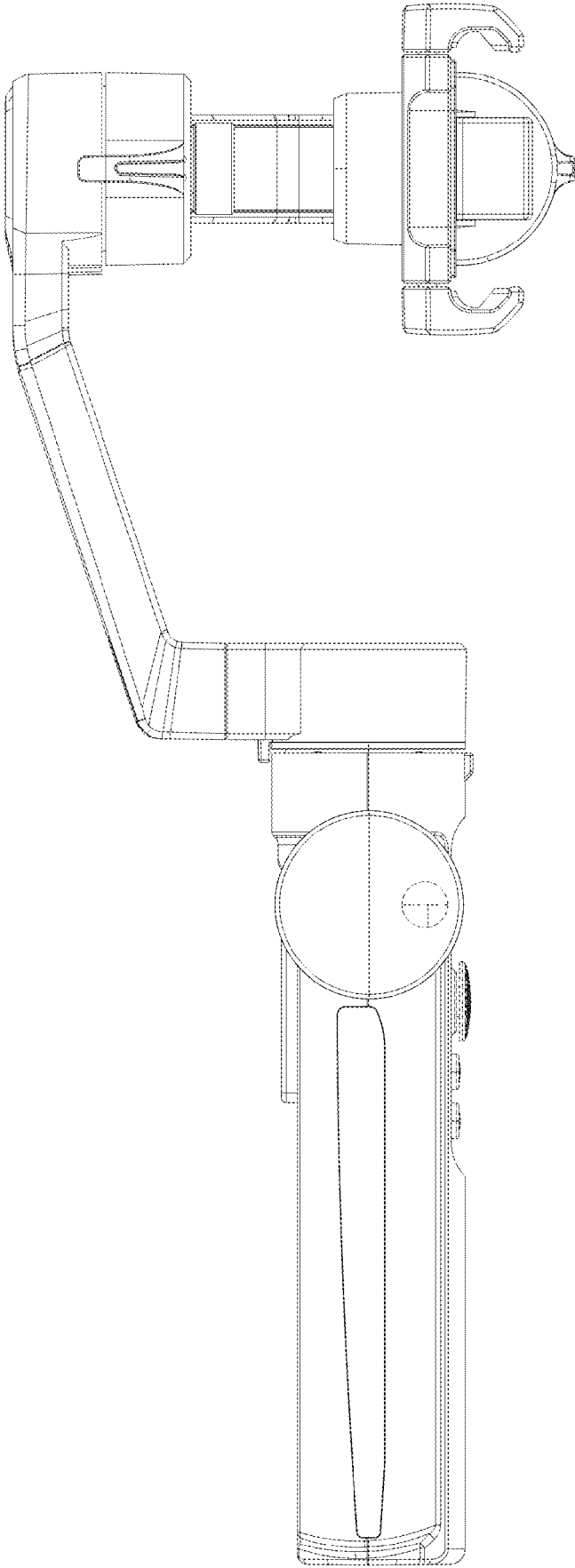


FIG. 4

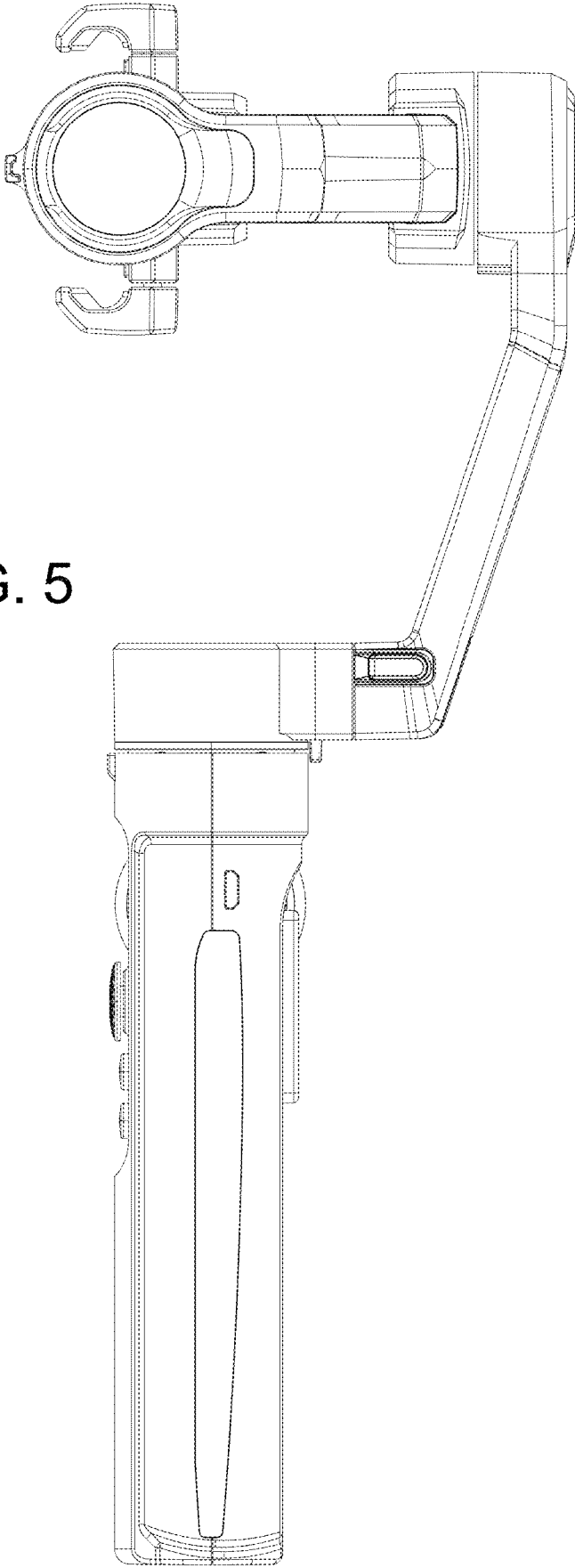


FIG. 5

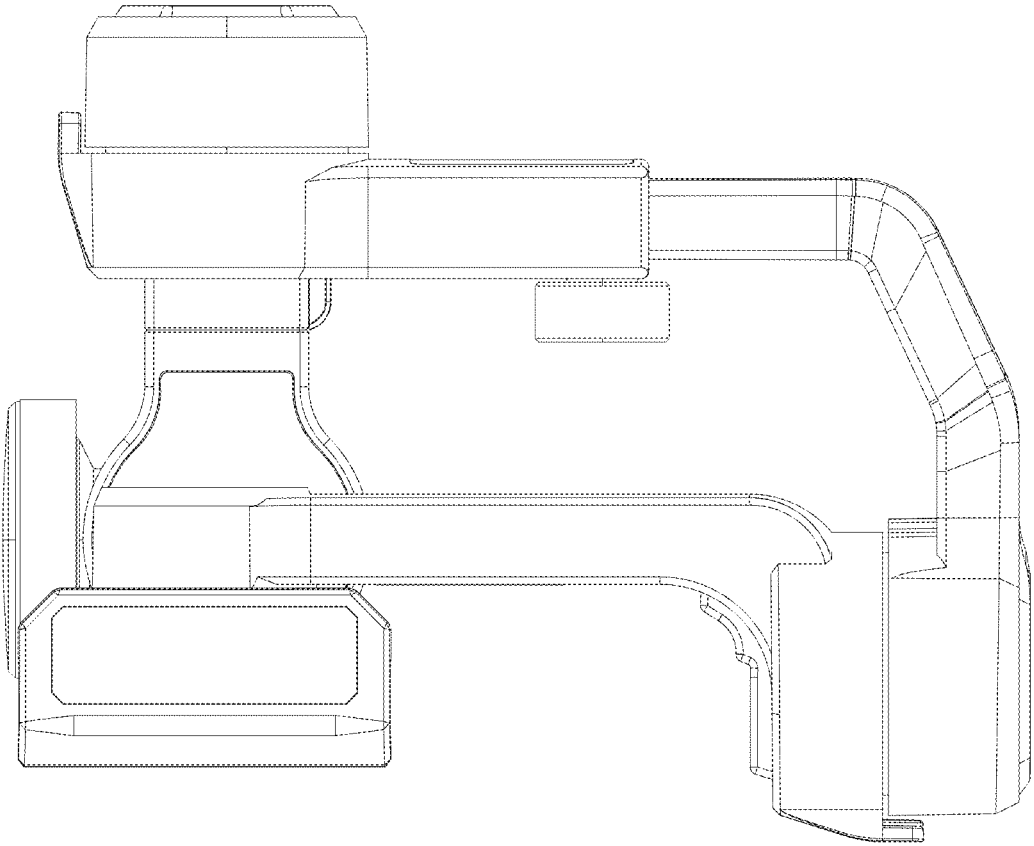


FIG. 6

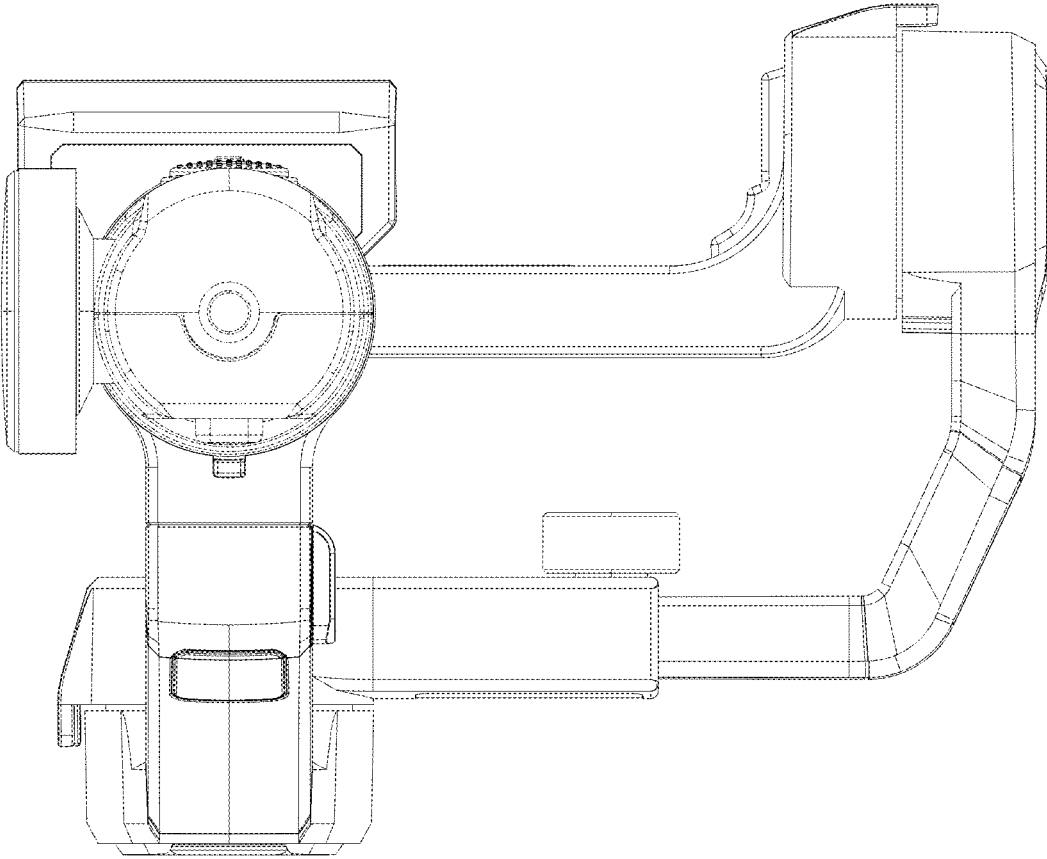


FIG. 7